



US00D623197S

(12) **United States Design Patent**
Hotta et al.

(10) **Patent No.:** **US D623,197 S**

(45) **Date of Patent:** **** Sep. 7, 2010**

(54) **ENGINE**

(75) Inventors: **Satoshi Hotta**, Hitachinaka (JP);
Tomoyuki Kawahara, Hitachinaka (JP);
Takahiro Hirai, Hitachinaka (JP);
Fumikazu Hirasawa, Hitachinaka (JP);
Takamoto Horiuchi, Hitachinaka (JP);
Masanori Okada, Hitachinaka (JP);
Shingo Kosugi, Hitachinaka (JP)

(73) Assignee: **Hitachi Koki Co., Ltd.**, Tokyo (JP)

(**) Term: **14 Years**

(21) Appl. No.: **29/345,384**

(22) Filed: **Oct. 15, 2009**

(30) **Foreign Application Priority Data**

Apr. 15, 2009 (JP) 2009-008597

(51) **LOC (9) Cl.** **15-01**

(52) **U.S. Cl.** **D15/1**

(58) **Field of Classification Search** D15/1,
D15/3, 5, 14-17; 74/606 R; 123/41.66,
123/41.67, 41.7, 50 A, 50 B, 50 R, 51 A,
123/51 R, 195 C, 198 E, 306, 308, 657, 661,
123/667

See application file for complete search history.

(56) **References Cited**

U.S. PATENT DOCUMENTS

D506,760 S * 6/2005 Lin et al. D15/1

D556,778 S * 12/2007 Yoshimatsu et al. D15/3

D581,945 S * 12/2008 Che et al. D15/3

D591,767 S * 5/2009 Lee D15/1

D603,425 S * 11/2009 Che et al. D15/1

* cited by examiner

Primary Examiner—Cathron C. Brooks

Assistant Examiner—Maurice Stevens

(74) *Attorney, Agent, or Firm*—Sughrue Mion, PLLC

(57) **CLAIM**

The ornamental design for an engine, as shown and described.

DESCRIPTION

FIG. 1 is a perspective view of top, front and left side of an engine showing our new design;

FIG. 2 is a front view thereof;

FIG. 3 is a rear view thereof;

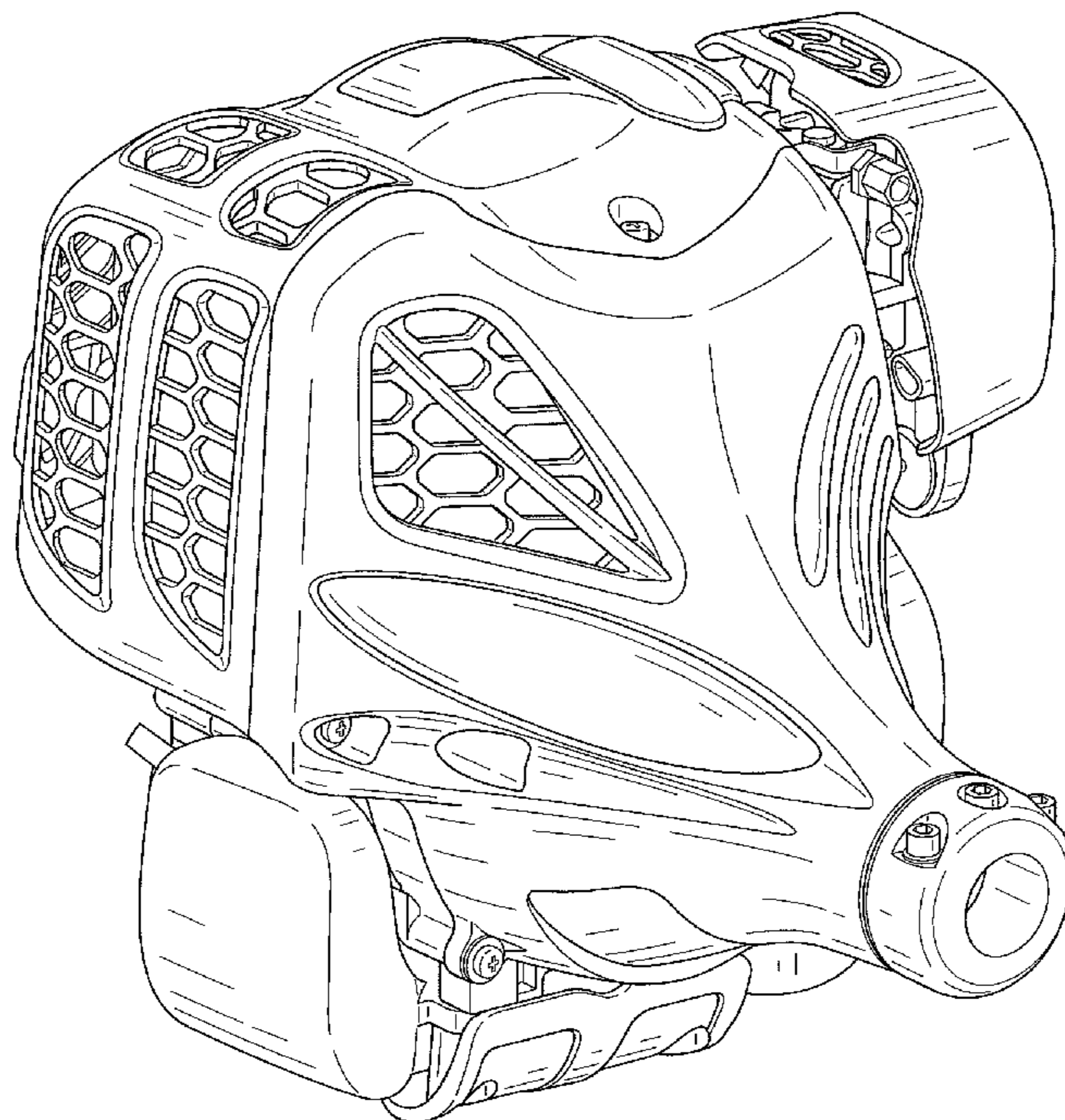
FIG. 4 is a left side view thereof;

FIG. 5 is a right side view thereof;

FIG. 6 is a top plan view thereof; and,

FIG. 7 is a bottom view thereof.

1 Claim, 7 Drawing Sheets



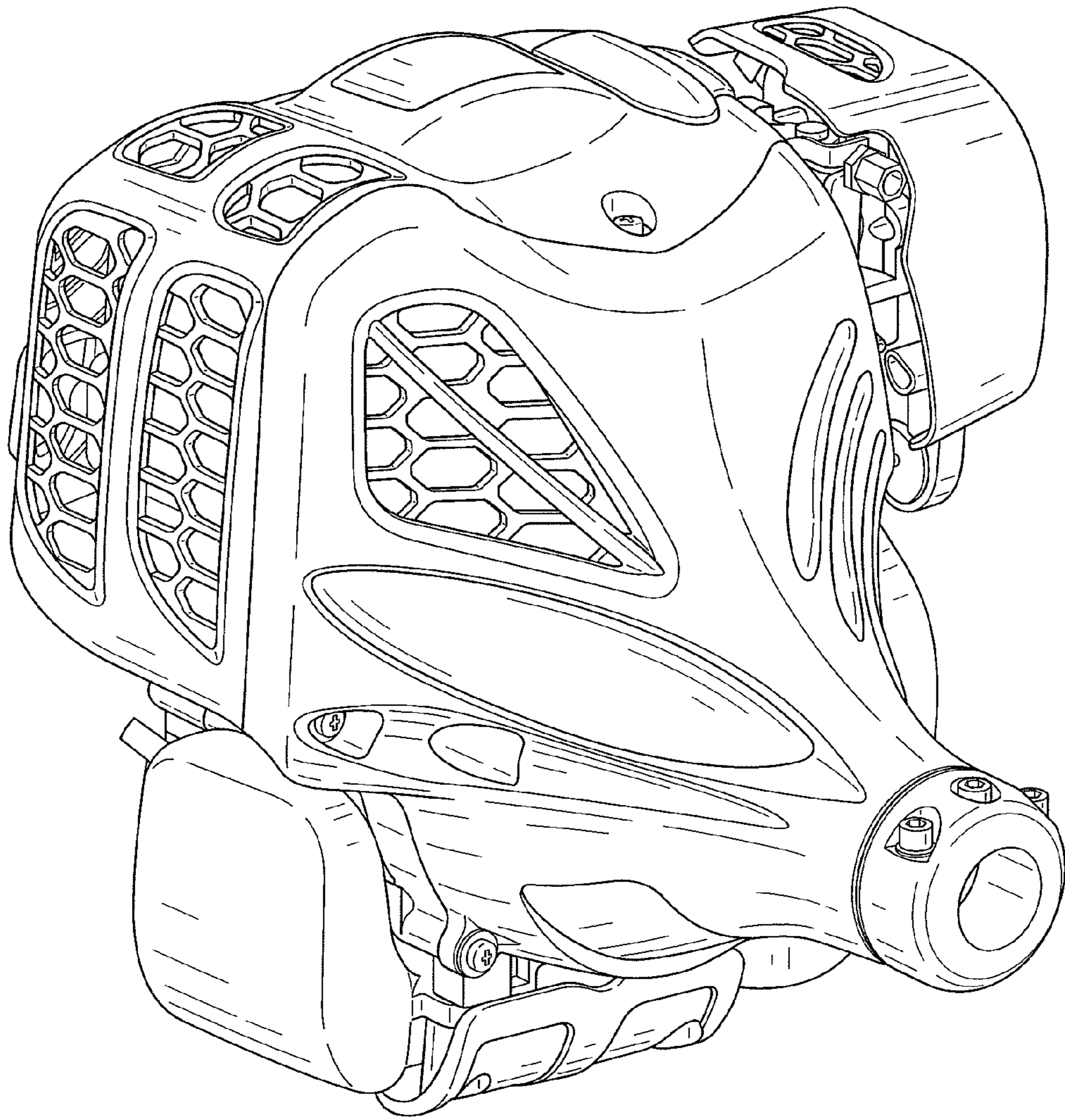


FIG. 1

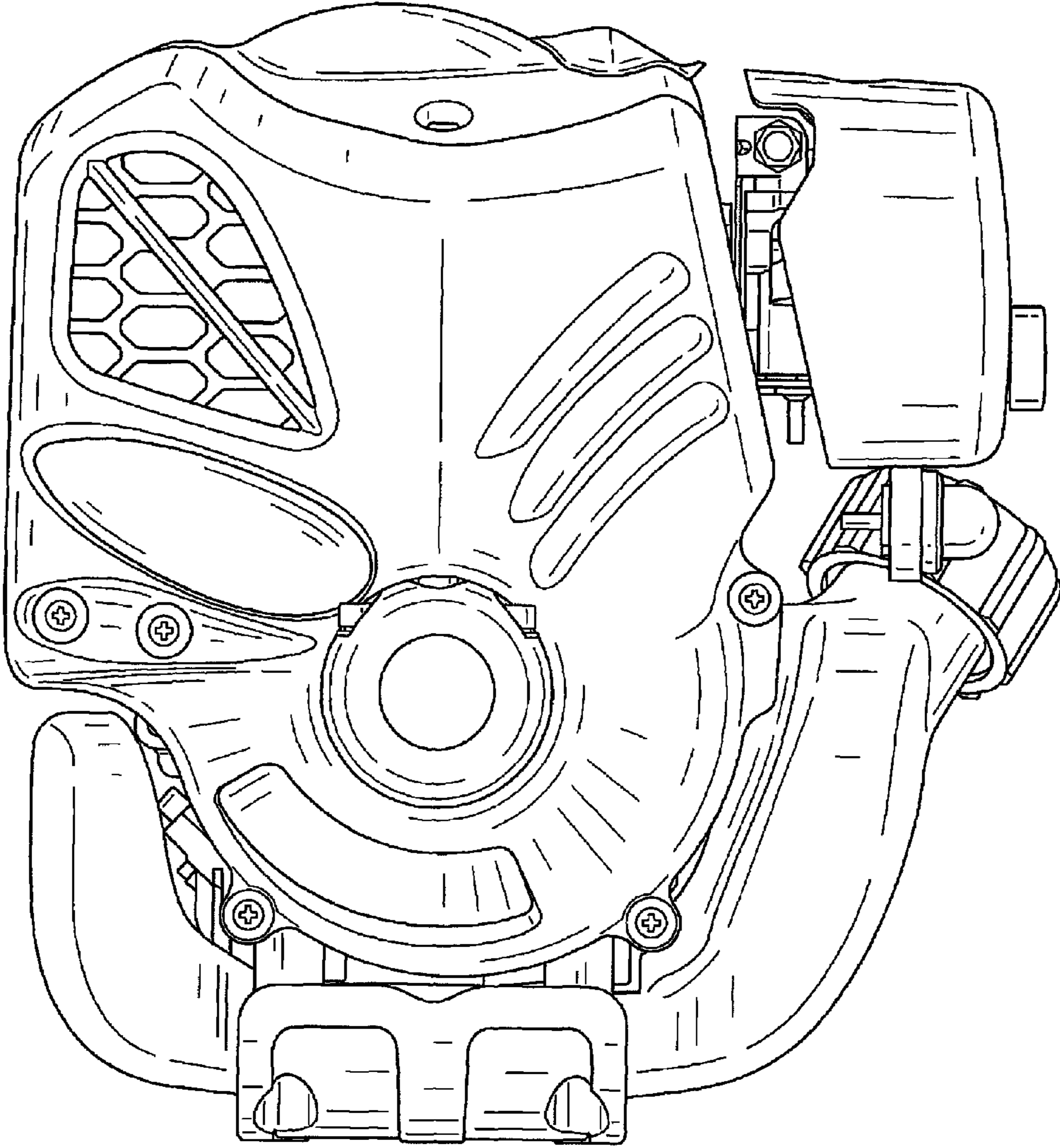


FIG. 2

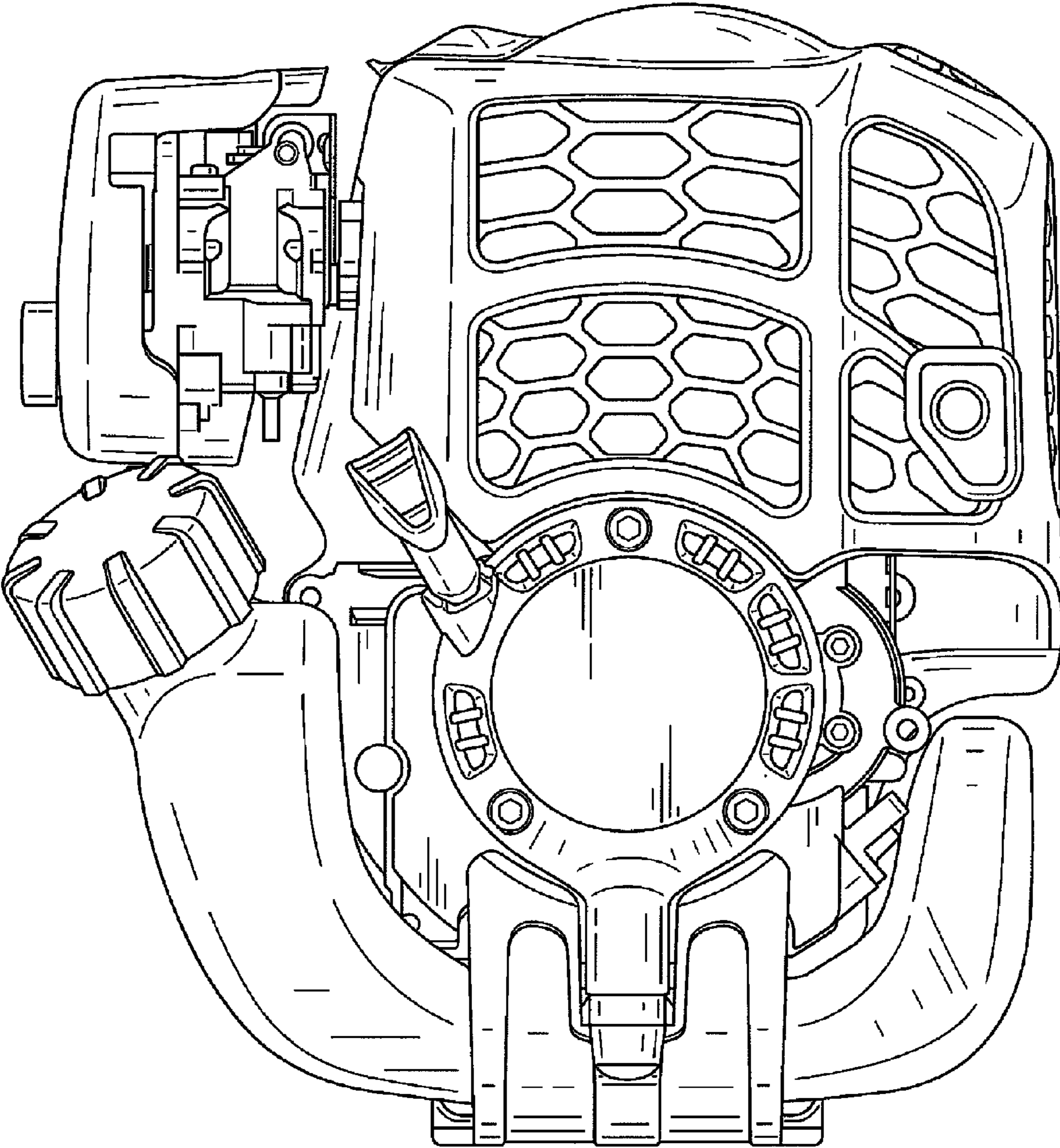


FIG. 3

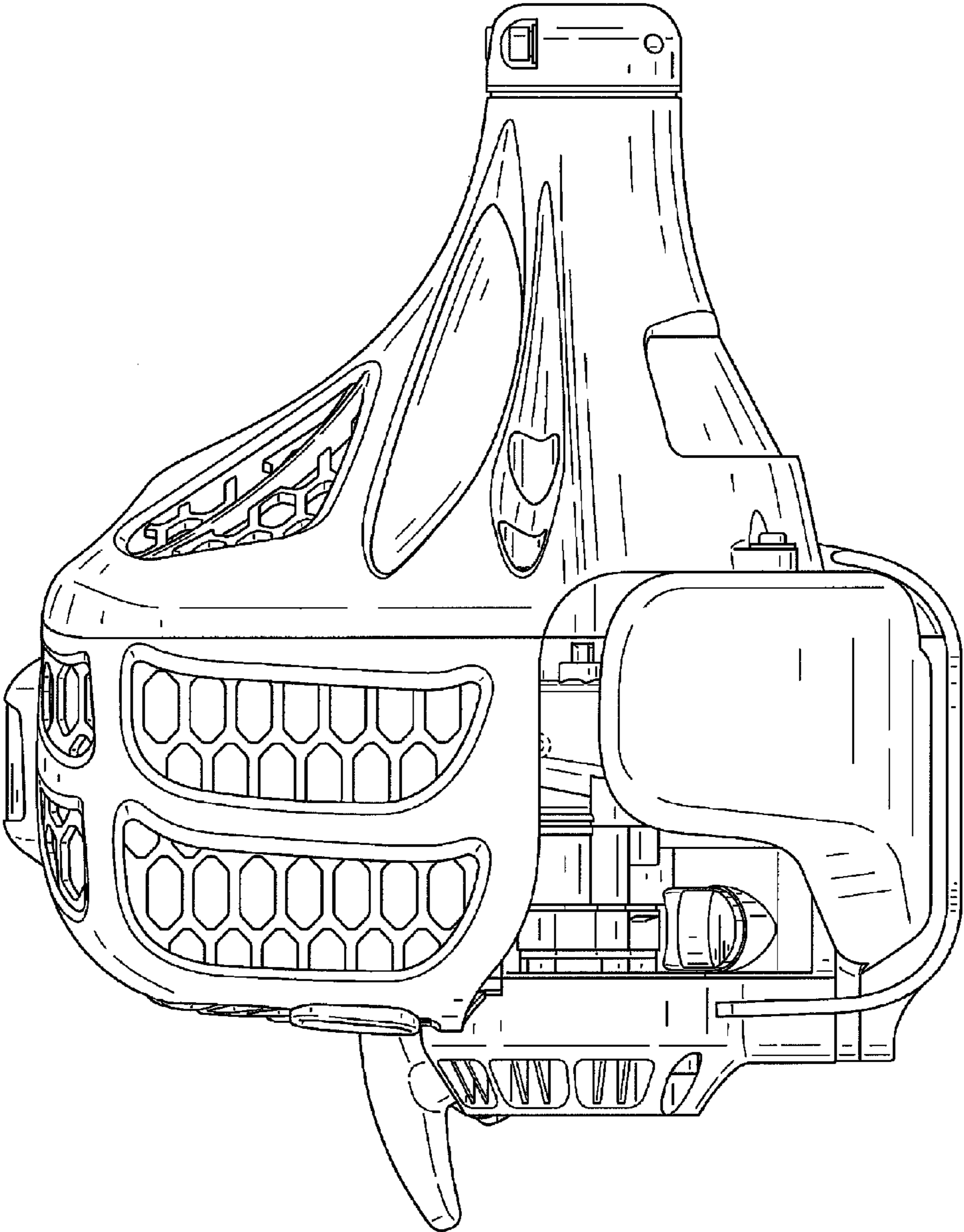


FIG. 4

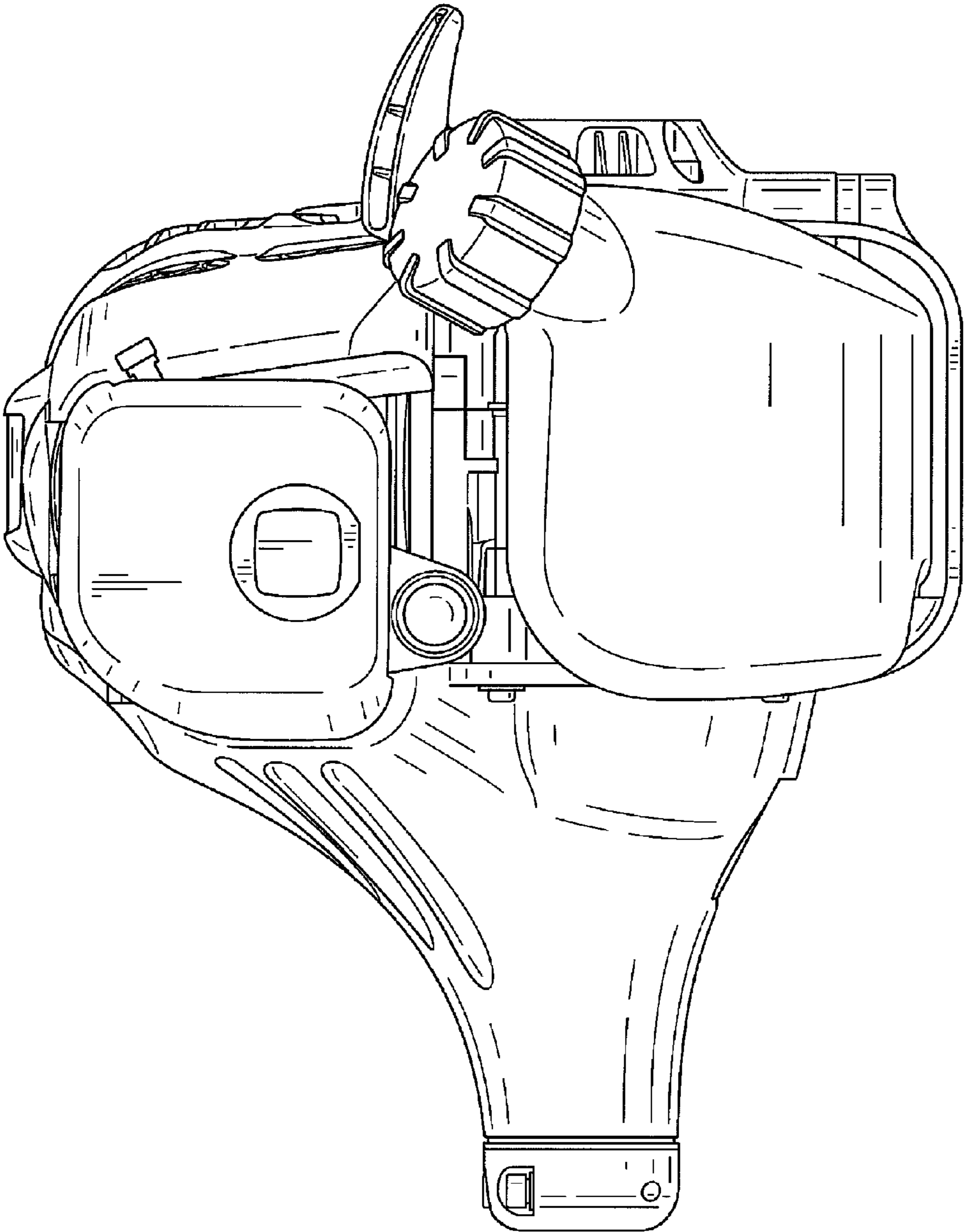


FIG. 5

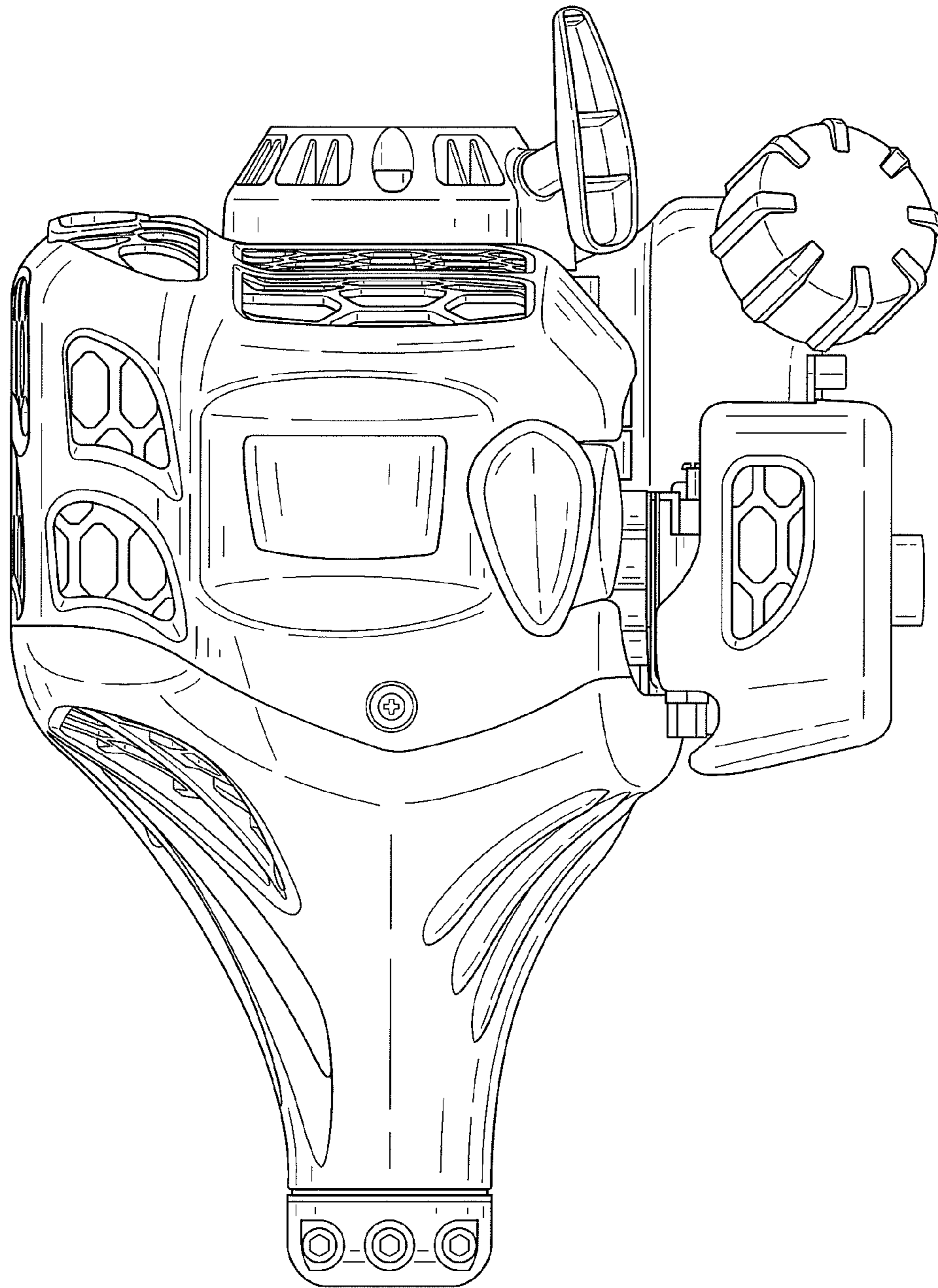


FIG. 6

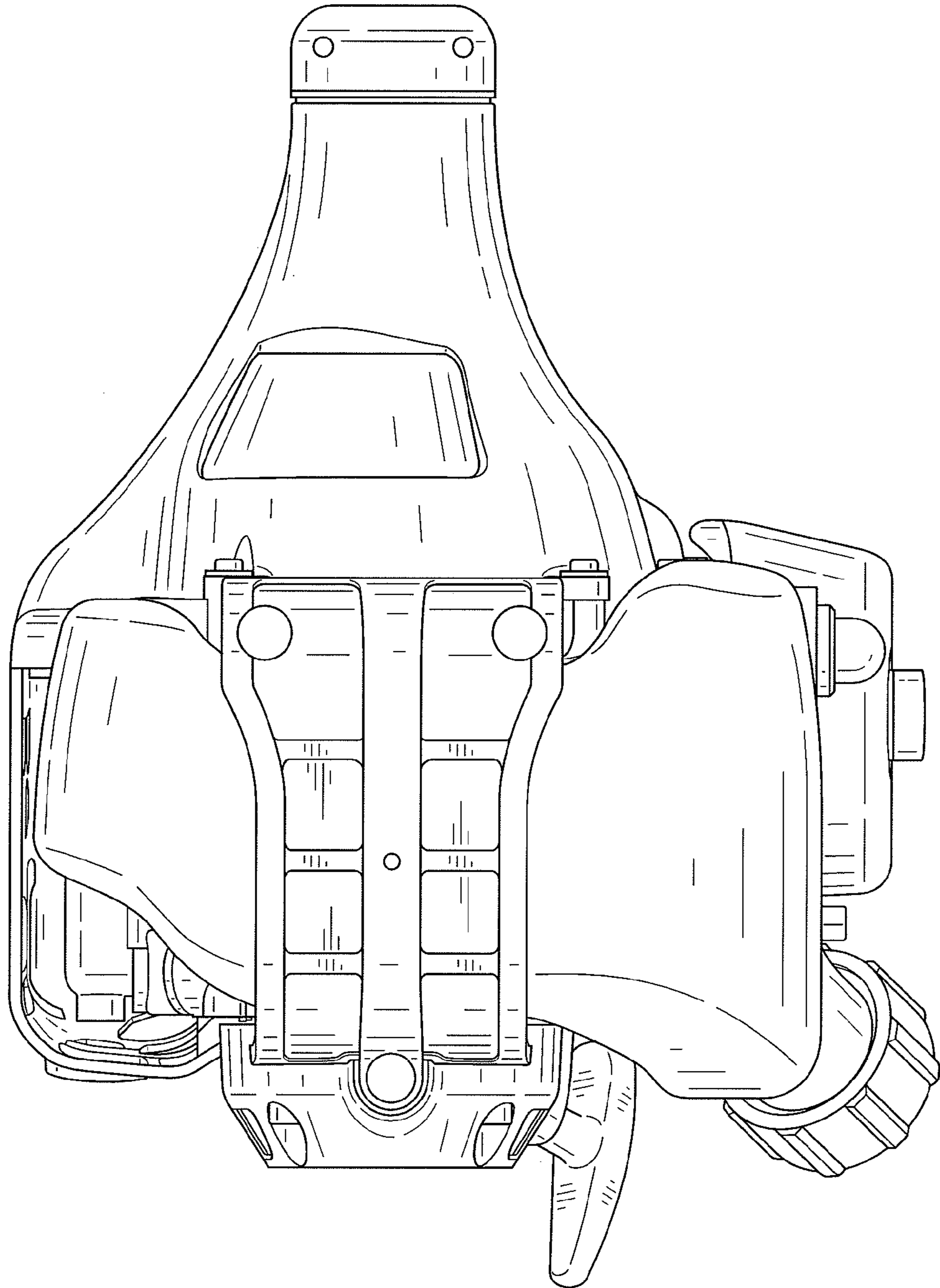


FIG. 7