

US00D623192S

(12) **United States Design Patent**  
**Peng**

(10) **Patent No.:** **US D623,192 S**

(45) **Date of Patent:** **\*\* Sep. 7, 2010**

(54) **FLASH DISK**

2008/0288697 A1\* 11/2008 Kim ..... 710/300  
2010/0075517 A1\* 3/2010 Ni et al. .... 439/131

(75) Inventor: **Yen-Lien Peng**, Jhudong Township  
(TW)

**OTHER PUBLICATIONS**

(73) Assignee: **Abounion Tech. Co., Ltd.**, Jhudong  
Township, Hsinchu County (TW)

Design Registration No. 300519944.0000 [Korea], filed on Oct. 23,  
2008, registered on Feb. 6, 2009.\*

Design Registration Application No. 000846167-0001 [Europe], reg-  
istered on Dec. 19, 2007.\*

(\*\*) Term: **14 Years**

Design Registration Application No. 000846167-0002 [Europe], reg-  
istered on Dec. 19, 2007.\*

(21) Appl. No.: **29/336,880**

Design Registration No. 300497303.0000 [Korea], filed on Dec. 17,  
2007, registered on Jun. 30, 2008.\*

(22) Filed: **May 11, 2009**

Design Registration No. 300493277.0000 [Korea], filed on Mar. 28,  
2008, registered on May 28, 2008.\*

(51) **LOC (9) Cl.** ..... **14-02**

Design Registration No. 4005101 [Great Britain], registered on Oct.  
29, 2007.\*

(52) **U.S. Cl.** ..... **D14/480.6**

Design Registration No. 070032-004 [France], registered on Jan. 8,  
2007.\*

(58) **Field of Classification Search** ..... D14/356,  
D14/411, 433, 435.1, 436, 137, 155, 167,  
D14/168, 203.1–203.8, 240, 242, 299, 480.1–480.7,  
D14/484.1; D3/201, 273; D13/107, 108,  
D13/149, 184; 710/300, 301; 439/131, 135–147;  
361/679.31, 679.33, 679.4, 752; 711/100,  
711/115

\* cited by examiner

See application file for complete search history.

*Primary Examiner*—Cathron C Brooks

*Assistant Examiner*—Karen E Kearney

(74) *Attorney, Agent, or Firm*—Kelly Lowry & Kelley, LLP

(56) **References Cited**

(57) **CLAIM**

**U.S. PATENT DOCUMENTS**

The ornamental design for a flash disk, as shown and  
described.

D366,229 S *	1/1996	Barnett	.....	D3/208
D500,485 S *	1/2005	Deguchi	.....	D14/480.1
6,926,544 B2 *	8/2005	Lee	.....	439/147
D542,789 S *	5/2007	Depay	.....	D14/435.1
7,295,431 B2 *	11/2007	Chuang	.....	361/679.55
D580,434 S *	11/2008	Kim	.....	D14/356
D581,926 S *	12/2008	Kim	.....	D14/356
7,466,556 B2 *	12/2008	Hiew et al.	.....	361/737
7,473,112 B2 *	1/2009	Zhu et al.	.....	439/142
D606,078 S *	12/2009	Chen	.....	D14/480.6
2003/0103369 A1 *	6/2003	Wu	.....	365/131
2007/0054522 A1 *	3/2007	Choi et al.	.....	439/144
2008/0019090 A1 *	1/2008	Zhu et al.	.....	361/684
2008/0026614 A1 *	1/2008	Emerson et al.	.....	439/136
2008/0094807 A1 *	4/2008	Hiew et al.	.....	361/737
2008/0261449 A1 *	10/2008	Ni et al.	.....	439/607
2008/0276099 A1 *	11/2008	Nguyen et al.	.....	713/186
2008/0278902 A1 *	11/2008	Nguyen et al.	.....	361/684

**DESCRIPTION**

FIG. 1 is a perspective view of the flash disk, representing my  
new design;

FIG. 2 is a front elevational view thereof;

FIG. 3 is a rear elevational view thereof;

FIG. 4 is a left side elevational view thereof;

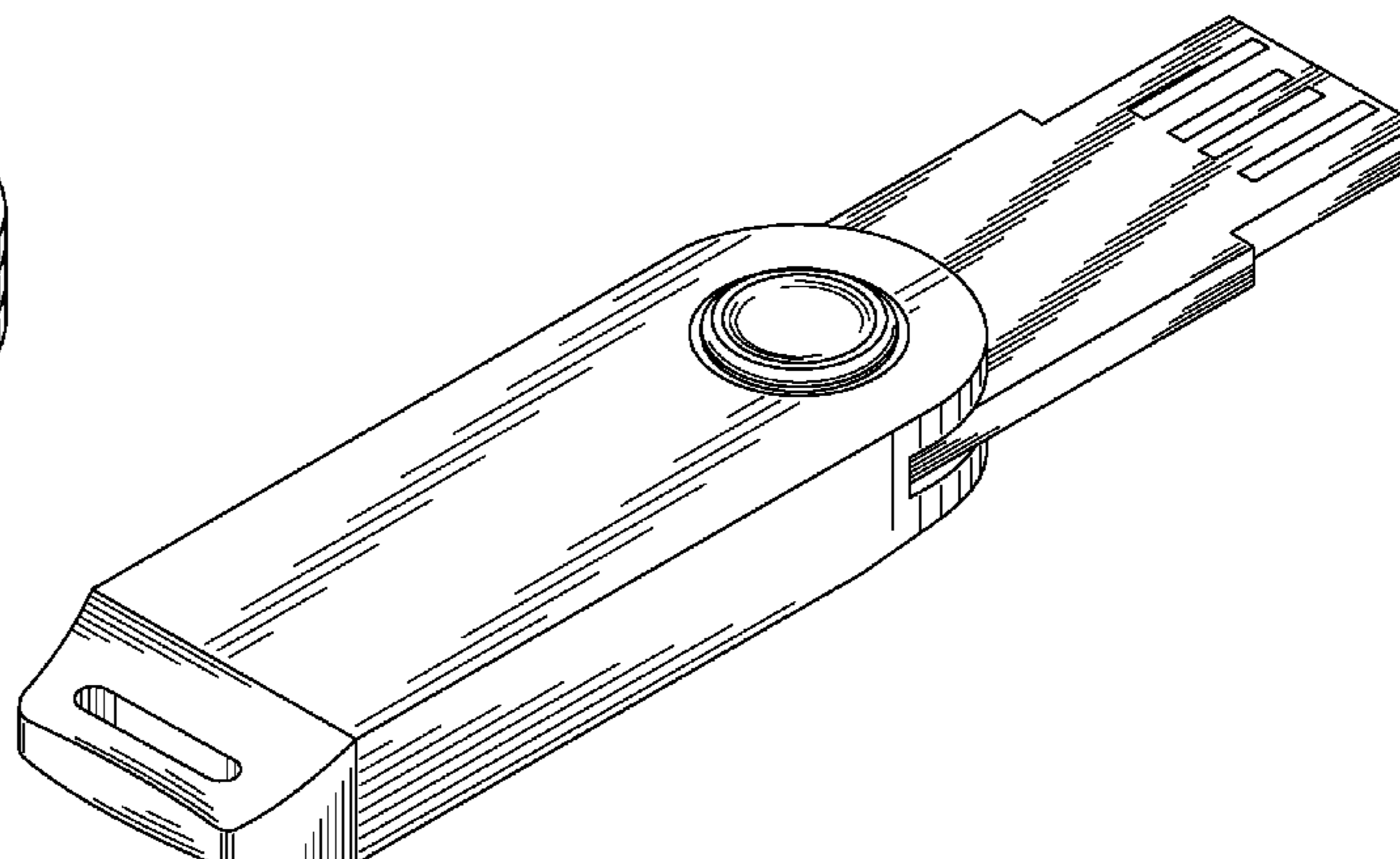
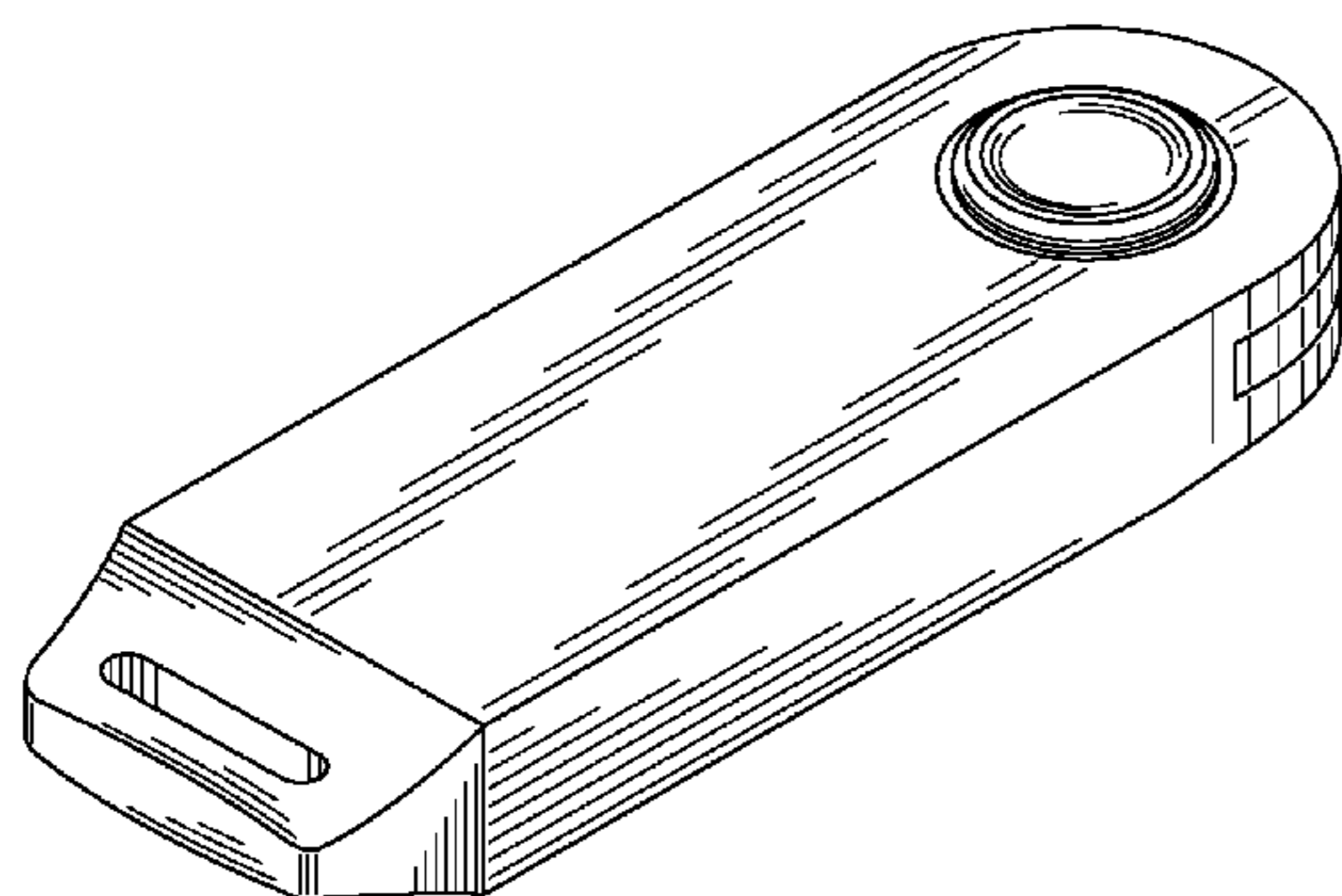
FIG. 5 is a right side elevational view thereof;

FIG. 6 is a top plan view thereof;

FIG. 7 is a bottom plan view thereof; and,

FIG. 8 is a perspective view thereof, showing the connector of  
the flash disk in an extended position.

**1 Claim, 5 Drawing Sheets**



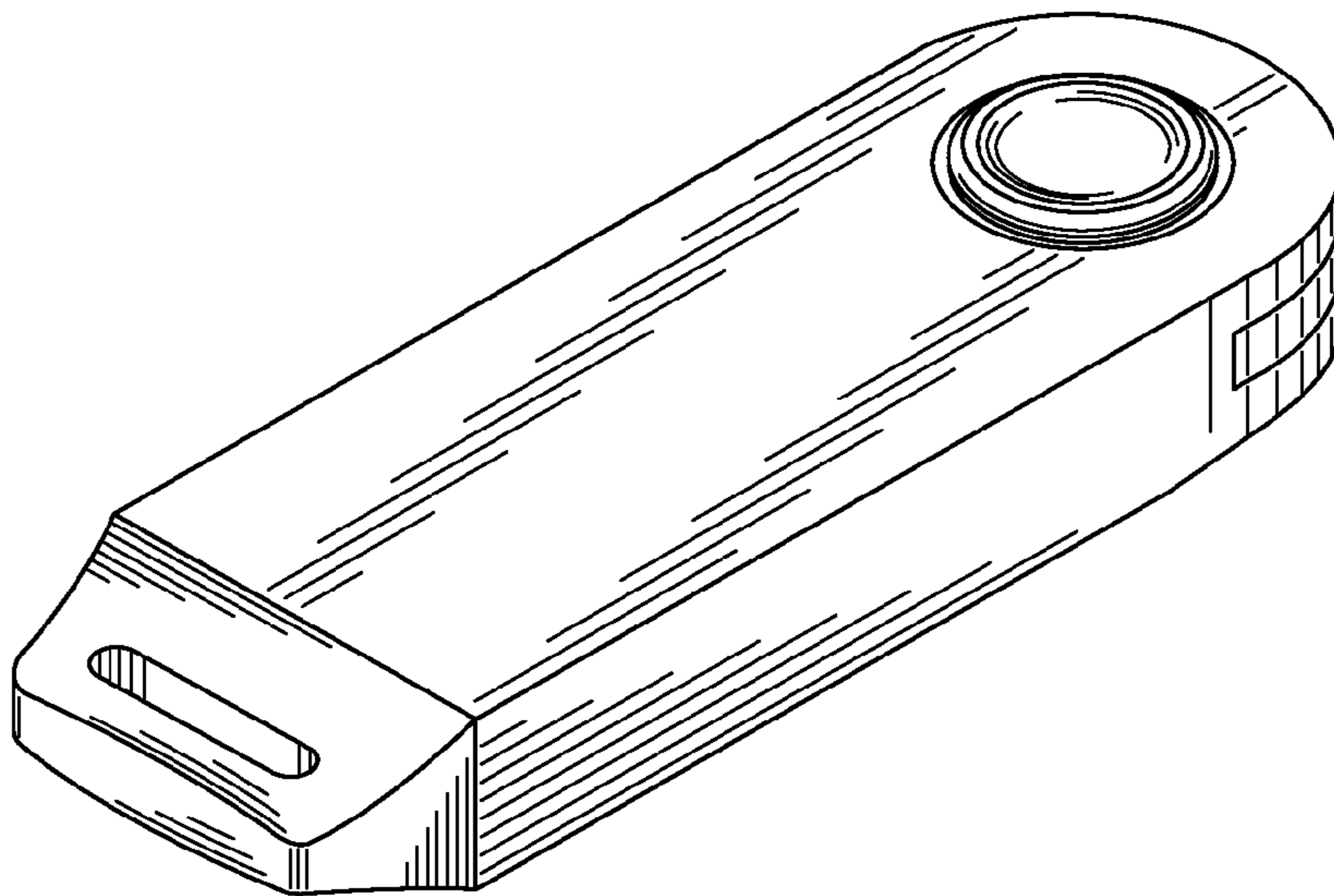


FIG. 1

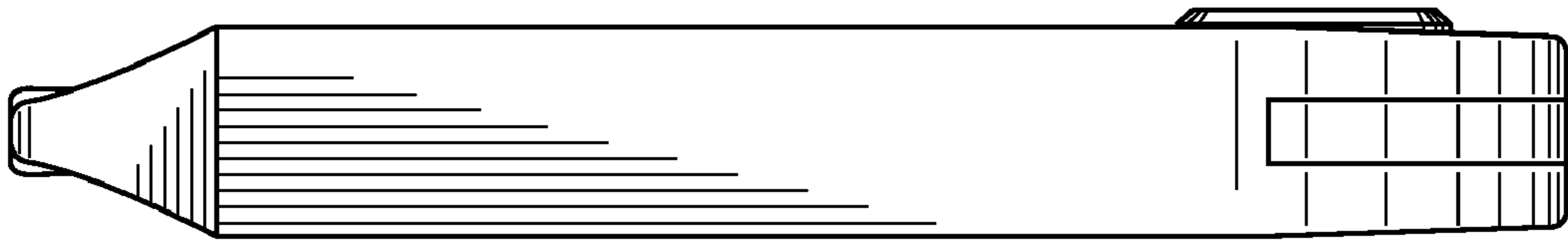


FIG. 2

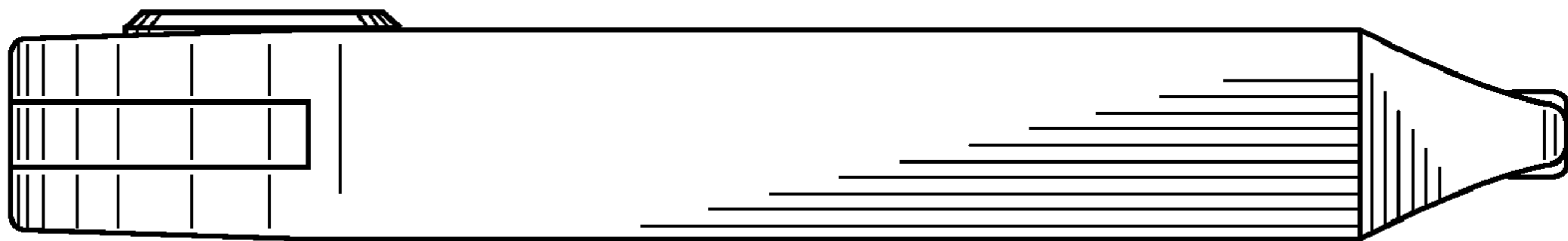


FIG. 3

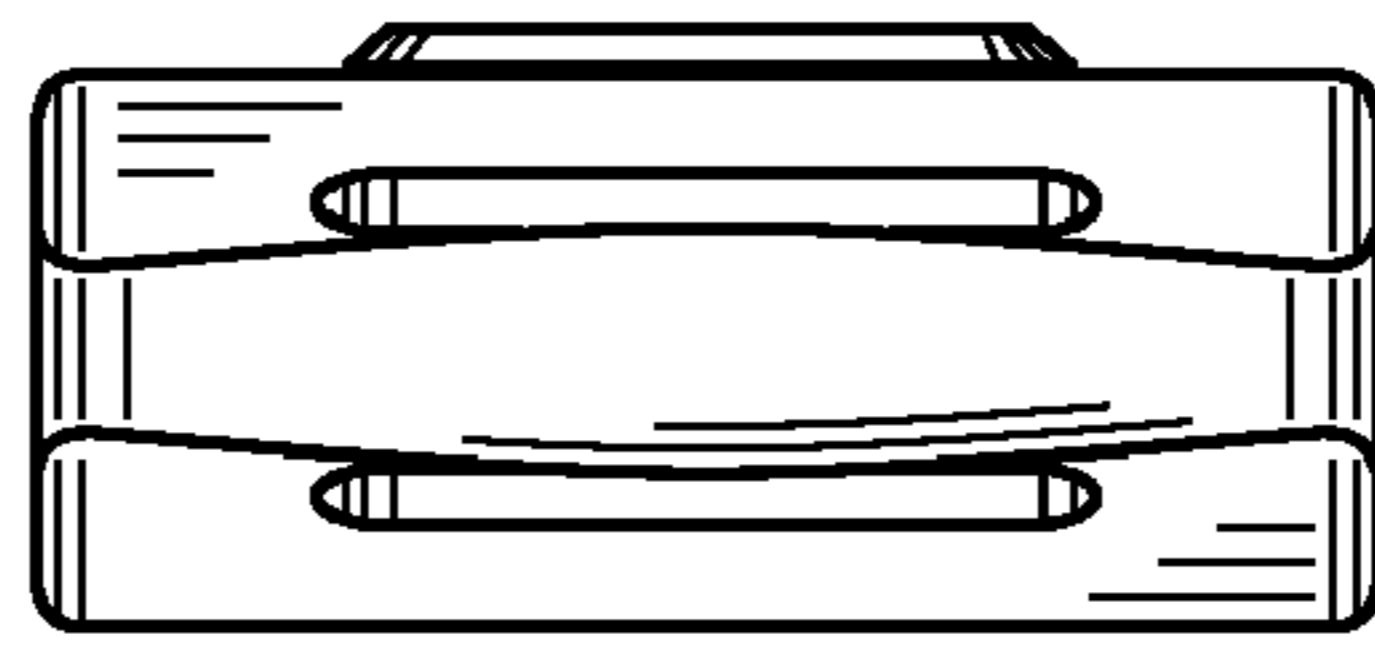


FIG. 4

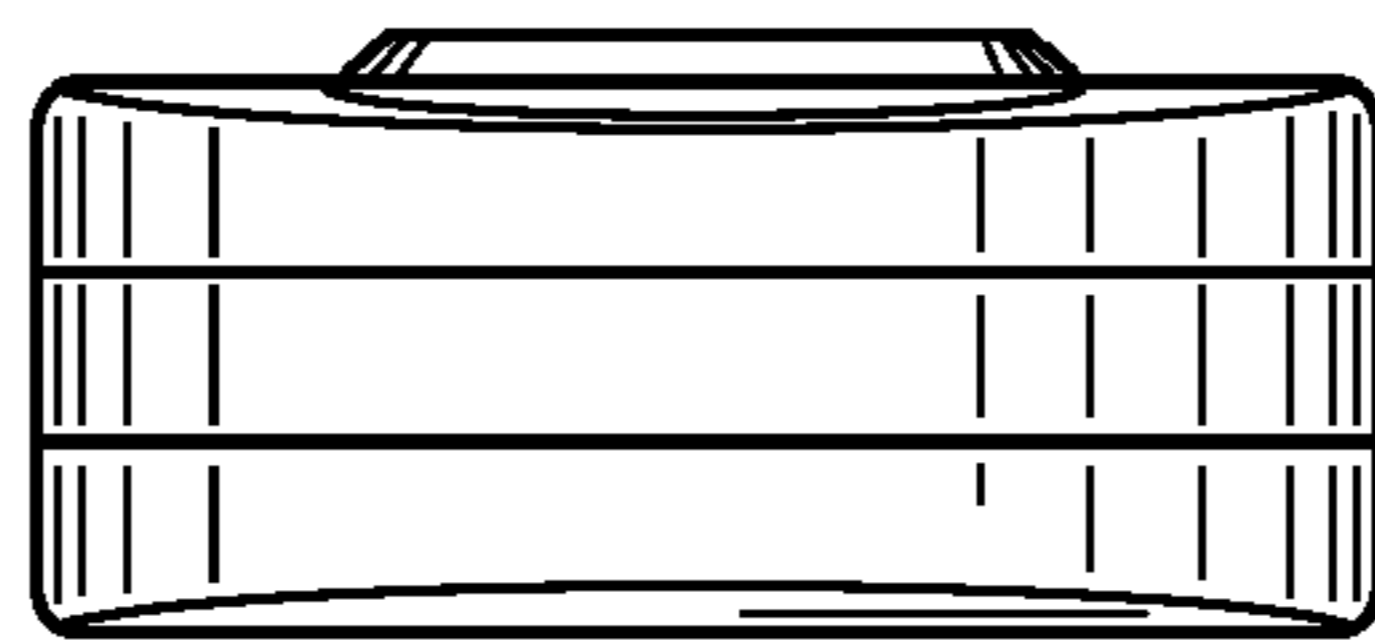


FIG. 5

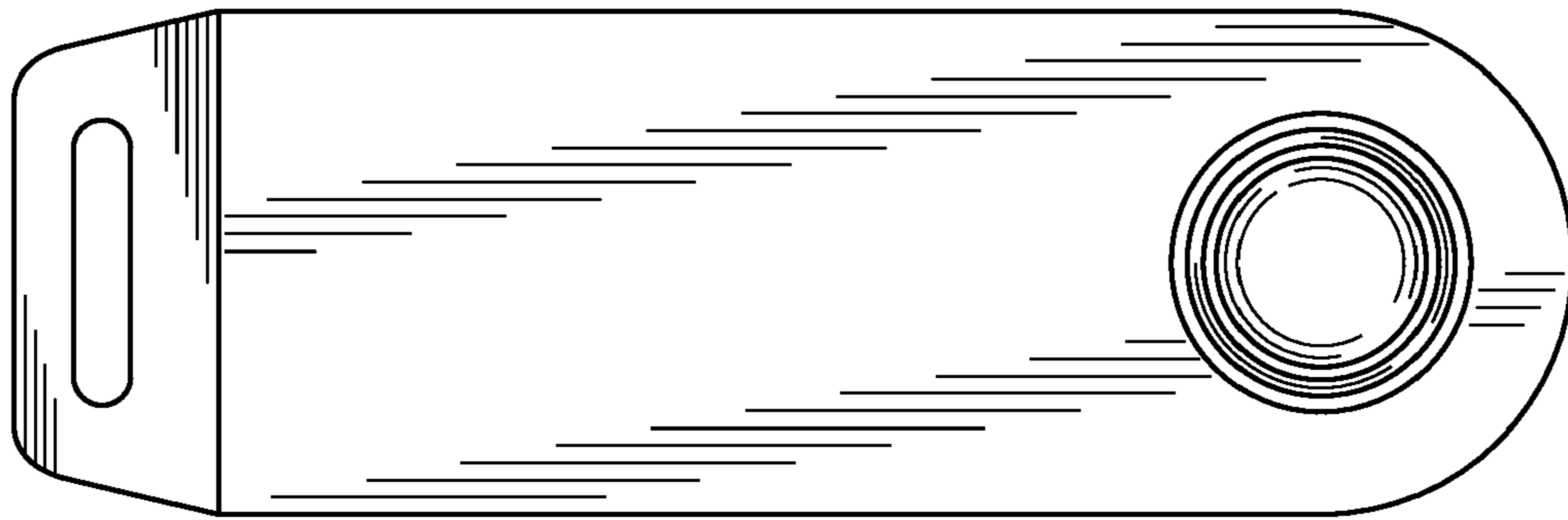


FIG. 6

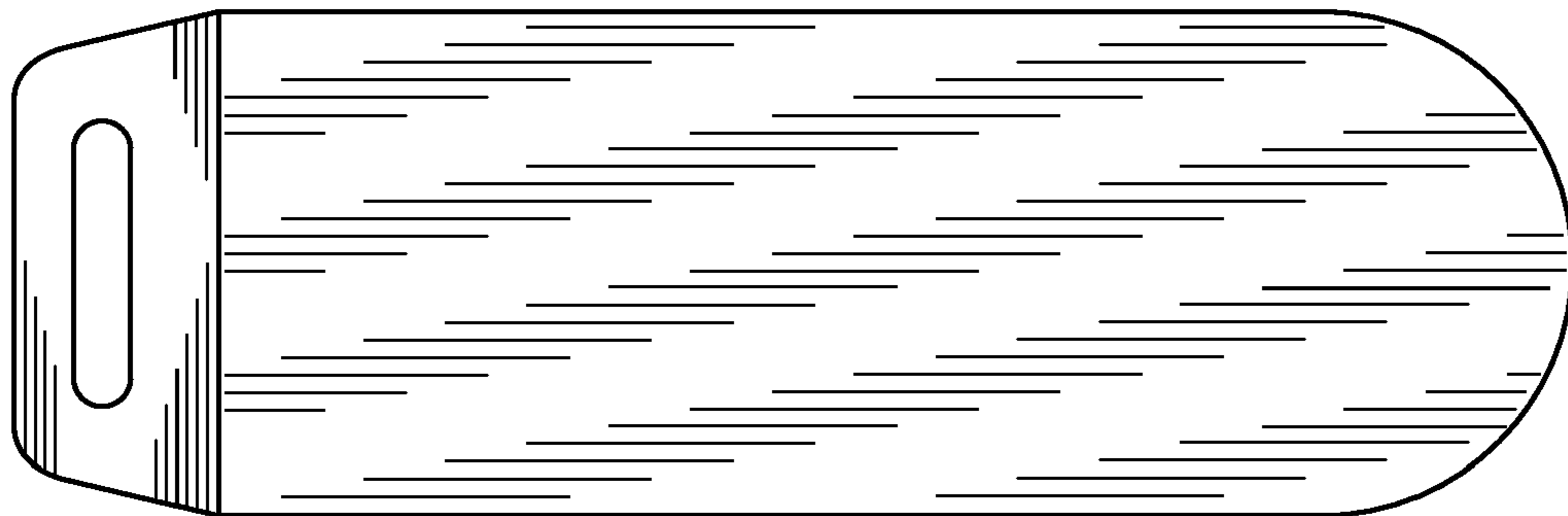


FIG. 7

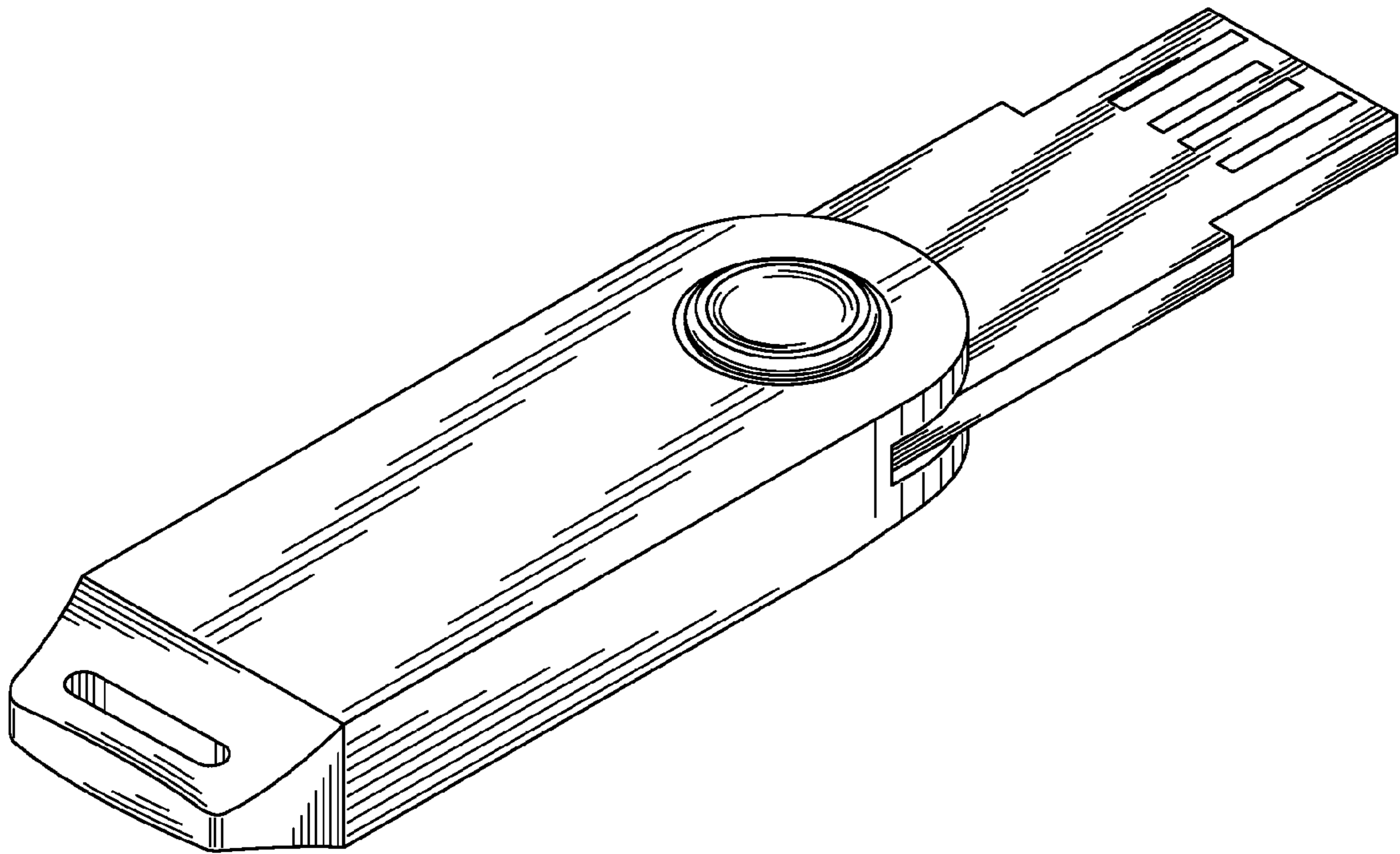


FIG. 8