



US00D623190S

(12) **United States Design Patent**
Trujillo

(10) **Patent No.:** **US D623,190 S**
(45) **Date of Patent:** **** Sep. 7, 2010**

(54) **CONVERTIBLE DATA CARD**

(75) Inventor: **Larry D. Trujillo**, Denver, CO (US)

(73) Assignee: **Converta Card, LLC**, Denver, CO (US)

(**) Term: **14 Years**

(21) Appl. No.: **29/341,226**

(22) Filed: **Jul. 31, 2009**

(51) **LOC (9) Cl.** **14-02**

(52) **U.S. Cl.** **D14/436**

(58) **Field of Classification Search** D14/435-437,
D14/478-480, 485-495, 474; D13/182;
369/275.1-275.5, 44.26, 284, 286, 100, 52.1,
369/272, 273, 280-288; 283/81; 720/718;
435/6, 287.2; 604/891.1; 216/2; D11/80;
235/492, 488; 361/737

See application file for complete search history.

(56) **References Cited**

U.S. PATENT DOCUMENTS

3,583,317	A *	6/1971	Gibson	283/98
4,443,027	A *	4/1984	McNeely et al.	283/83
4,544,590	A *	10/1985	Egan	428/41.4
4,712,929	A *	12/1987	Kitaoka	400/76
4,890,862	A *	1/1990	Buchholz	283/62
4,904,853	A *	2/1990	Yokokawa	235/487
5,155,663	A *	10/1992	Harase	361/679.31
5,340,968	A *	8/1994	Watanabe et al.	235/380
5,417,458	A *	5/1995	Best et al.	283/51
5,427,832	A *	6/1995	Longtin	428/42.1
5,609,253	A *	3/1997	Goade, Sr.	206/460
5,667,247	A *	9/1997	Ramsburg et al.	283/61
5,677,524	A *	10/1997	Haghiri-Tehrani	235/492
5,743,567	A *	4/1998	Warther	283/61
D395,455	S *	6/1998	Thompson	D20/11
5,769,457	A *	6/1998	Warther	283/61
5,818,030	A *	10/1998	Reyes	235/492
5,842,629	A *	12/1998	Sprague et al.	229/71
5,865,470	A *	2/1999	Thompson	283/70
D415,194	S *	10/1999	Thompson	D19/1
5,975,584	A *	11/1999	Vogt	283/98

6,010,159	A *	1/2000	Warther	283/61
6,039,356	A *	3/2000	Warther et al.	283/61
6,089,611	A *	7/2000	Blank	283/67
6,092,841	A *	7/2000	Best et al.	283/56
6,270,012	B1 *	8/2001	Dawson	235/381
6,305,716	B1 *	10/2001	Warther et al.	283/61
6,315,206	B1 *	11/2001	Hansen et al.	235/487
6,328,341	B2 *	12/2001	Klure	283/62
D453,160	S	1/2002	Pentz et al.	
D453,161	S	1/2002	Pentz et al.	

(Continued)

Primary Examiner—Susan Moon Lee

(74) *Attorney, Agent, or Firm*—Lee G. Meyer, Esq.; Meyer & Associates, LLC

(57) **CLAIM**

The ornamental design for a convertible data card, as shown and described.

DESCRIPTION

FIG. 1 is a perspective view of a convertible data card showing my new design;

FIG. 2 is a rear elevational view of the convertible data card as shown in FIG. 1;

FIG. 3 is a front elevational view of the convertible data card as shown in FIG. 1;

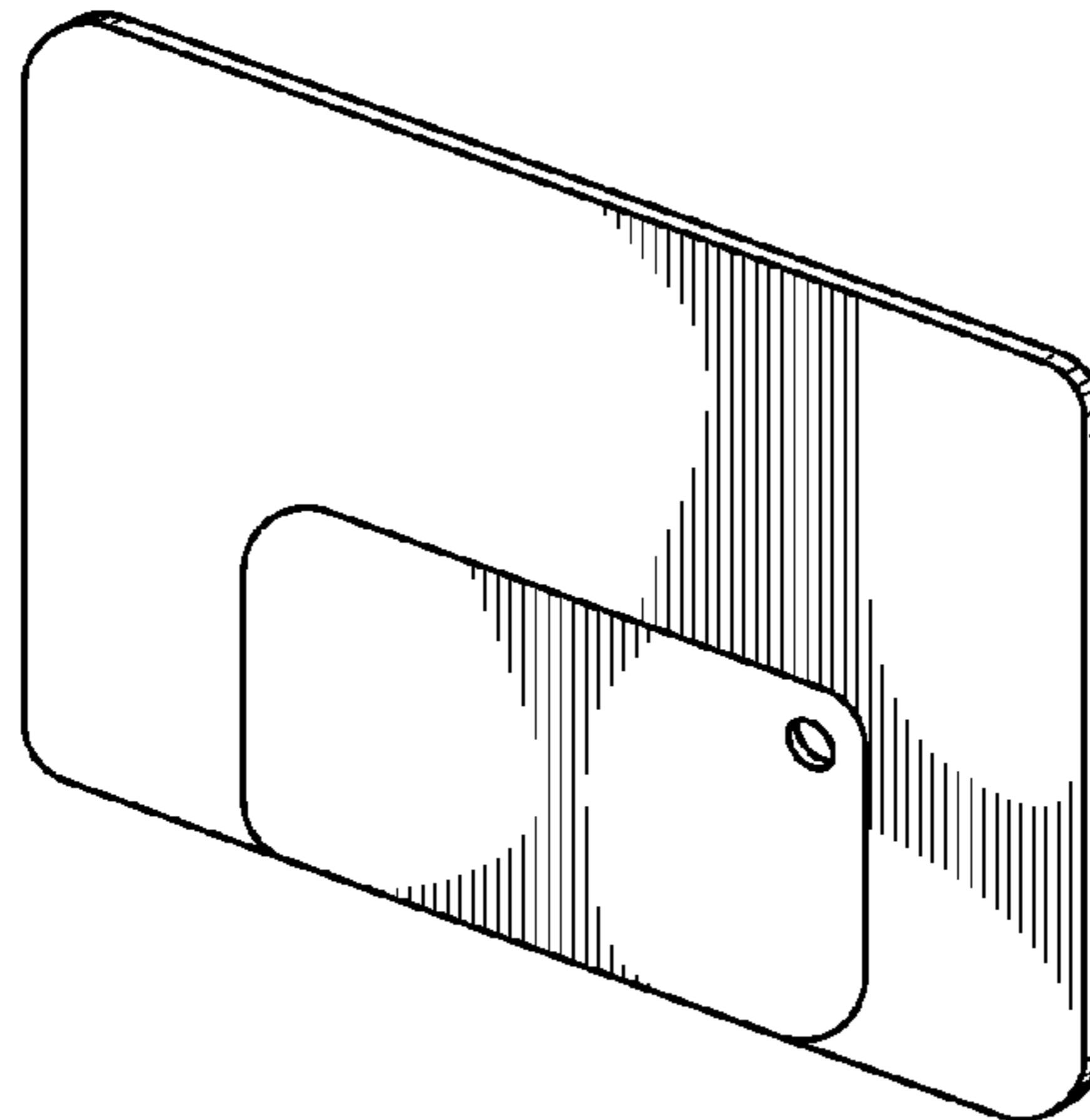
FIG. 4 is a bottom plan view of the convertible data card as shown in FIG. 1;

FIG. 5 is a top plan view of the convertible data card as shown in FIG. 1;

FIG. 6 is a left elevational view of the convertible data card as shown in FIG. 1; and,

FIG. 7 is a right elevational view of the convertible data card as shown in FIG. 1.

1 Claim, 1 Drawing Sheet



US D623,190 S

Page 2

U.S. PATENT DOCUMENTS

D453,336	S	2/2002	Pentz et al.			
D453,338	S	2/2002	Pentz et al.			
D454,910	S *	3/2002	Smith et al.	D19/9		
6,386,591	B1 *	5/2002	Blank	283/75		
D460,454	S *	7/2002	Pentz	D14/436		
D460,455	S	7/2002	Pentz			
6,454,165	B1 *	9/2002	Dawson	235/381		
6,457,647	B1 *	10/2002	Kurihashi et al.	235/486		
D467,247	S *	12/2002	Pentz	D14/436		
6,493,970	B1 *	12/2002	McCarthy et al.	40/124.01		
6,520,542	B2 *	2/2003	Thompson et al.	283/51		
6,543,809	B1 *	4/2003	Kistner et al.	283/57		
6,588,658	B1 *	7/2003	Blank	235/380		
6,623,039	B2 *	9/2003	Thompson et al.	283/61		
6,688,529	B1 *	2/2004	Goade, Sr.	235/488		
6,693,544	B1 *	2/2004	Hebbecker	340/573.1		
6,698,116	B2 *	3/2004	Waldron	40/124.11		
6,715,795	B2 *	4/2004	Klure	283/62		
D490,104	S *	5/2004	Lubking	D19/10		
D494,223	S *	8/2004	Best et al.	D20/27		
6,769,718	B1 *	8/2004	Warther et al.	283/61		
6,773,035	B1 *	8/2004	Cox et al.	283/61		
D498,788	S *	11/2004	Lubking	D19/10		
6,814,375	B2 *	11/2004	Cox et al.	283/61		
6,877,666	B2 *	4/2005	Goade, Sr.	235/488		
6,957,737	B1 *	10/2005	Frederickson et al.	206/449		
D511,543	S	11/2005	Lubking			
D513,006	S	12/2005	Hart et al.			
D516,563	S *	3/2006	Hart et al.	D14/436		
7,024,807	B2 *	4/2006	Street	40/124.06		
D522,052	S	5/2006	Lubking			
7,040,665	B2 *	5/2006	Ritchie et al.	283/82		
7,080,776	B2 *	7/2006	Lewis et al.	235/380		
D526,651	S *	8/2006	Hoogerdijk	D14/436		
7,083,086	B2 *	8/2006	Whitaker	235/380		
7,225,993	B2 *	6/2007	Warther	235/492		
D553,130	S *	10/2007	Fiorentino	D14/356		
D569,902	S *	5/2008	Chang et al.	D19/2		
7,384,000	B2 *	6/2008	Anders et al.	235/488		
7,413,120	B2 *	8/2008	Lewis et al.	235/380		
D590,400	S *	4/2009	Hoogerdijk	D14/436		
7,513,422	B1 *	4/2009	Tucker	235/380		
7,584,887	B1 *	9/2009	Sanchez et al.	235/380		
7,597,255	B2 *	10/2009	Deane et al.	235/383		
7,607,575	B2 *	10/2009	Kingsborough et al.	235/380		
7,658,371	B2 *	2/2010	Deschryver	270/5.03		
7,659,607	B2 *	2/2010	Iwasaki	257/679		
2002/0088851	A1 *	7/2002	Hodes	235/380		
2003/0028439	A1 *	2/2003	Cox et al.	705/26		
2004/0026915	A1 *	2/2004	Thompson et al.	283/51		
2005/0017502	A1 *	1/2005	Chariker	283/106		
2005/0045732	A1 *	3/2005	Whitaker	235/493		
2006/0108731	A1 *	5/2006	Deschryver	270/5.02		
2006/0125168	A1 *	6/2006	Romita et al.	270/5.02		
2006/0243794	A1 *	11/2006	Whitaker	235/380		

* cited by examiner

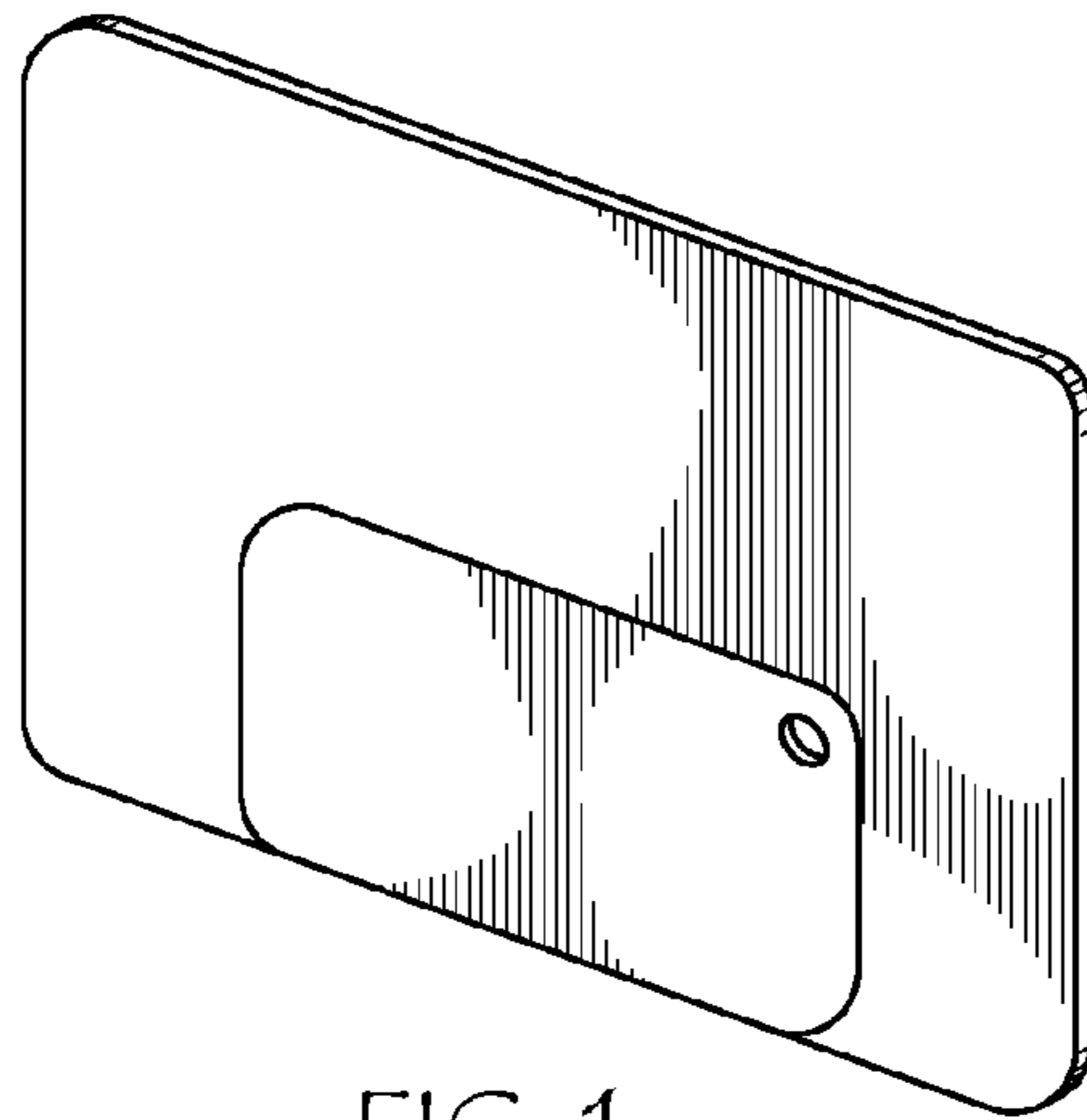


FIG. 1

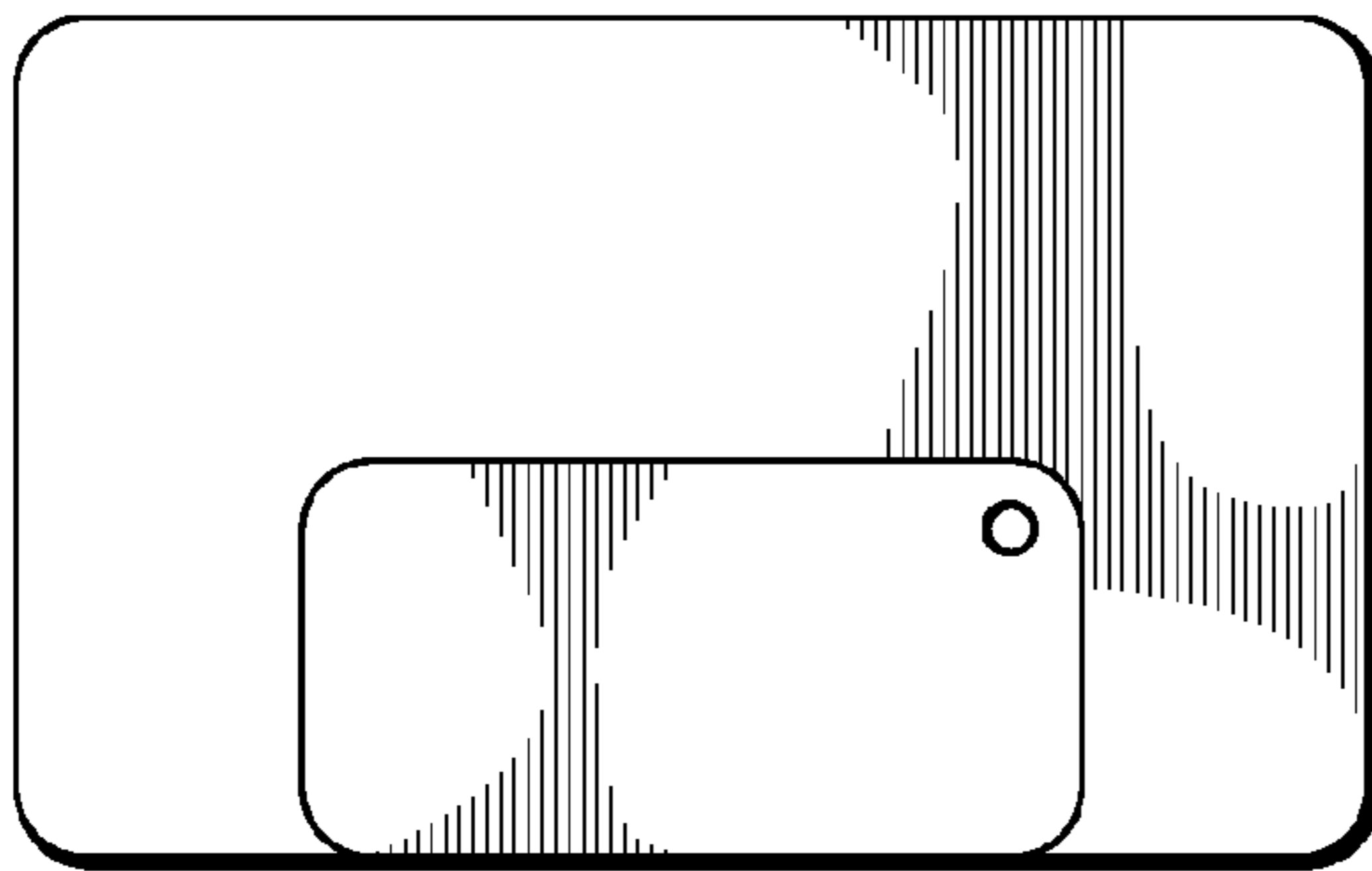


FIG. 3

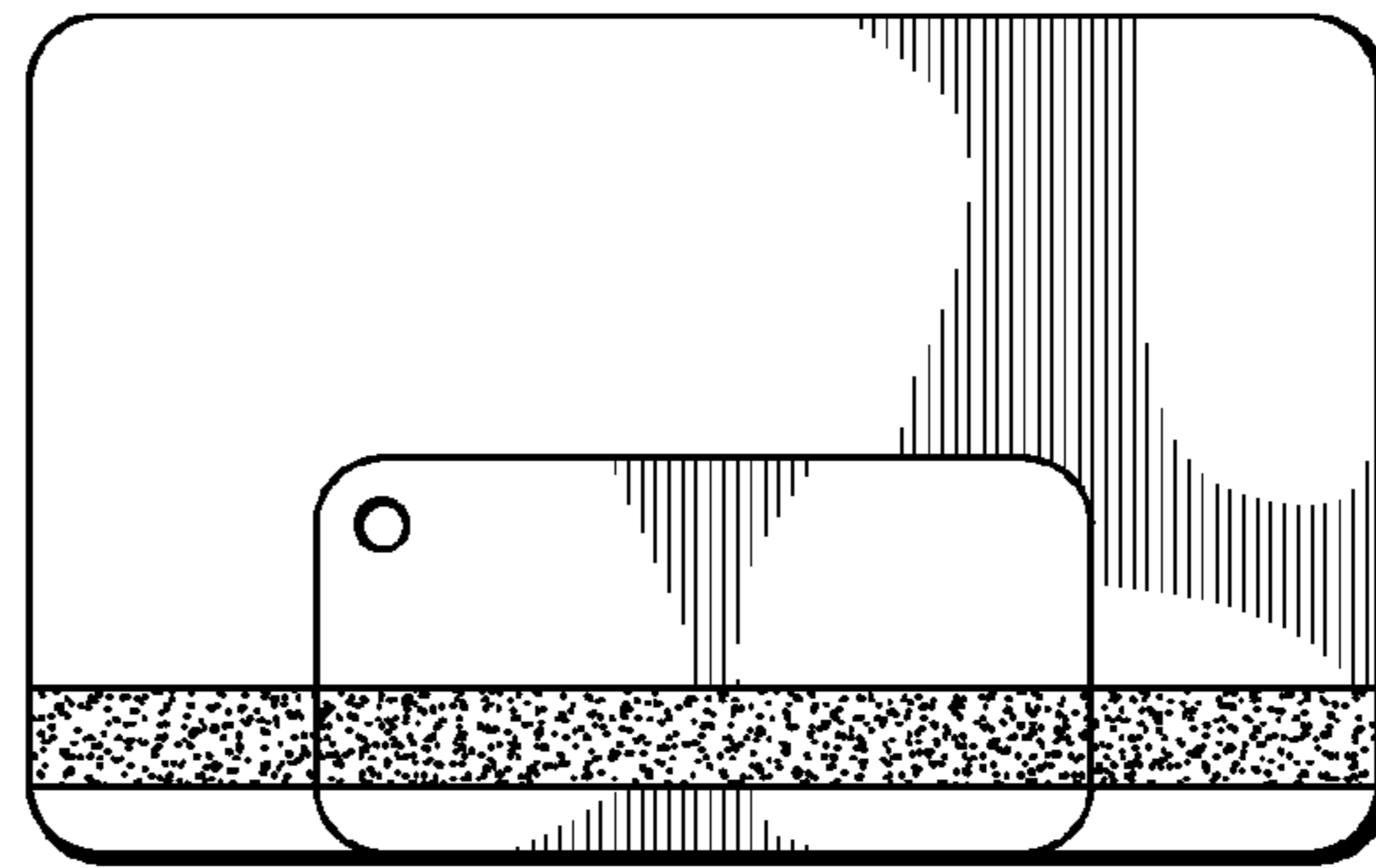


FIG. 2



FIG. 4



FIG. 5



FIG. 6



FIG. 7