



US00D623188S

(12) **United States Design Patent**
Son et al.

(10) **Patent No.:** **US D623,188 S**
(45) **Date of Patent:** **** Sep. 7, 2010**

(54) **DOCKING STATION**

(75) Inventors: **Sung Ho Son**, Redmond, WA (US);
Gregory G. Jones, Seattle, WA (US);
Steven W. Fisher, Edmonds, WA (US)

(73) Assignee: **Microsoft Corporation**, Redmond, WA (US)

(**) Term: **14 Years**

(21) Appl. No.: **29/335,250**

(22) Filed: **Apr. 10, 2009**

(51) **LOC (9) Cl.** **14-02**

(52) **U.S. Cl.** **D14/434**

(58) **Field of Classification Search** D14/432-434,
D14/314, 204; D13/108, 146; D23/314,
D23/328; 248/346.03; 361/679.41, 679.31,
361/679.32, 679.4, 679.43; 70/58; D21/333;
320/112; 348/375

See application file for complete search history.

(56) **References Cited**

U.S. PATENT DOCUMENTS

5,627,727	A *	5/1997	Aguilera et al.	361/679.43
D469,097	S *	1/2003	Liu	D14/434
D495,336	S *	8/2004	Andre et al.	D14/434
D530,717	S *	10/2006	Mori et al.	D14/434
7,145,603	B2 *	12/2006	Whitby et al.	348/375
D534,862	S *	1/2007	Aguilar	D13/108
D554,107	S *	10/2007	Calco et al.	D14/217

D558,207	S *	12/2007	Ikeda et al.	D14/434
D558,209	S *	12/2007	Ikeda et al.	D14/434
D584,731	S *	1/2009	Montgomery et al.	D14/434
D585,898	S *	2/2009	Skurdal	D14/434
2008/0219488	A1 *	9/2008	Crooijmans et al.	381/333

* cited by examiner

Primary Examiner—Freda S Nunn

(74) *Attorney, Agent, or Firm*—Banner & Witcoff, Ltd.

(57) **CLAIM**

The ornamental design for a docking station, as shown and described.

DESCRIPTION

FIG. 1 is a front isometric view of a docking station showing our new design;

FIG. 2 is a bottom plan view thereof;

FIG. 3 is a top plan view thereof;

FIG. 4 is a right side elevational view thereof;

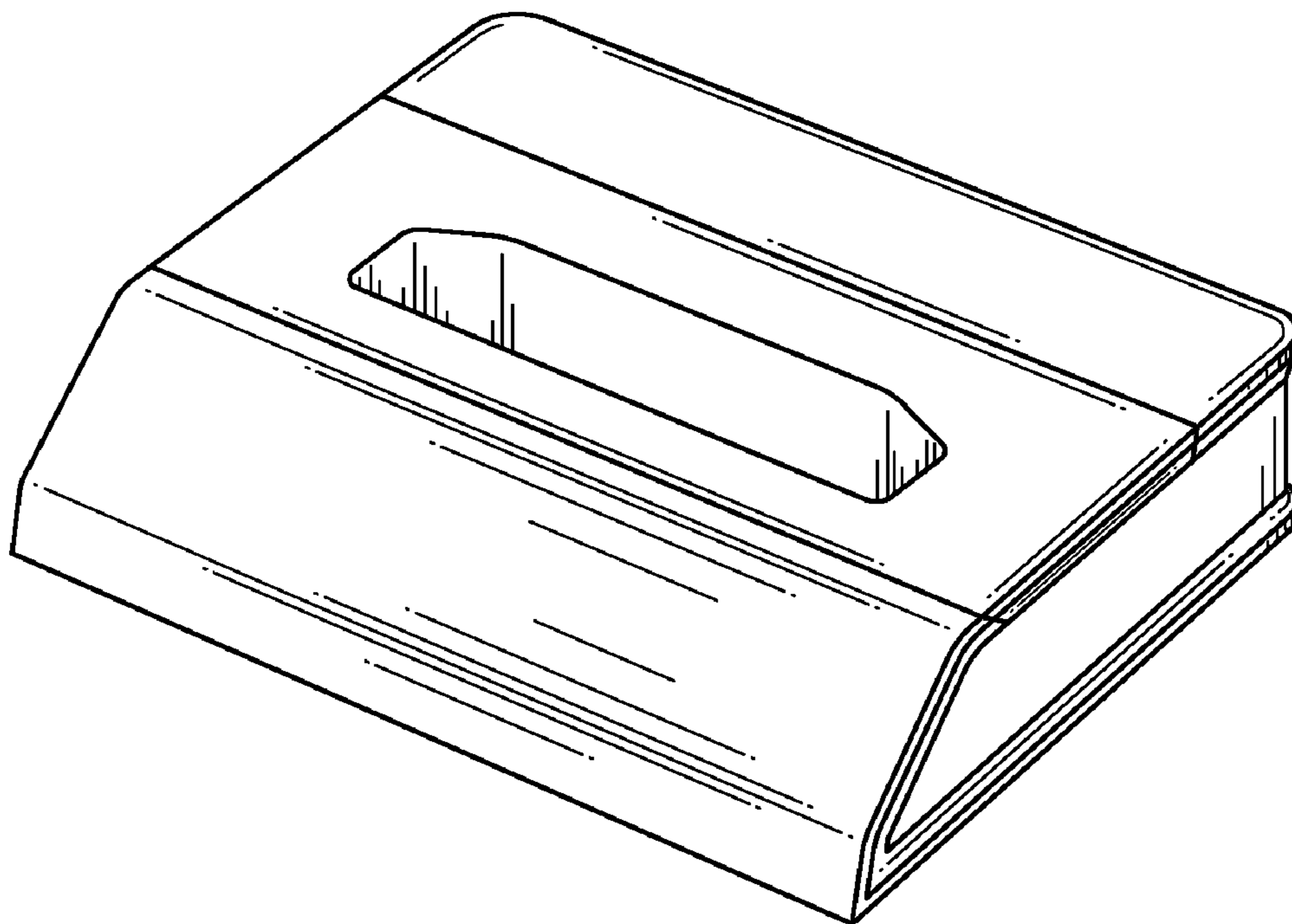
FIG. 5 is a left side elevational view thereof;

FIG. 6 is a front elevational view thereof; and,

FIG. 7 is a rear elevational view thereof.

The broken line showing of the region on the top of the docking station in FIG. 3 and on the rear side of the docking station in FIG. 7 is shown for environmental purposes only and forms no part of the claimed design.

1 Claim, 4 Drawing Sheets



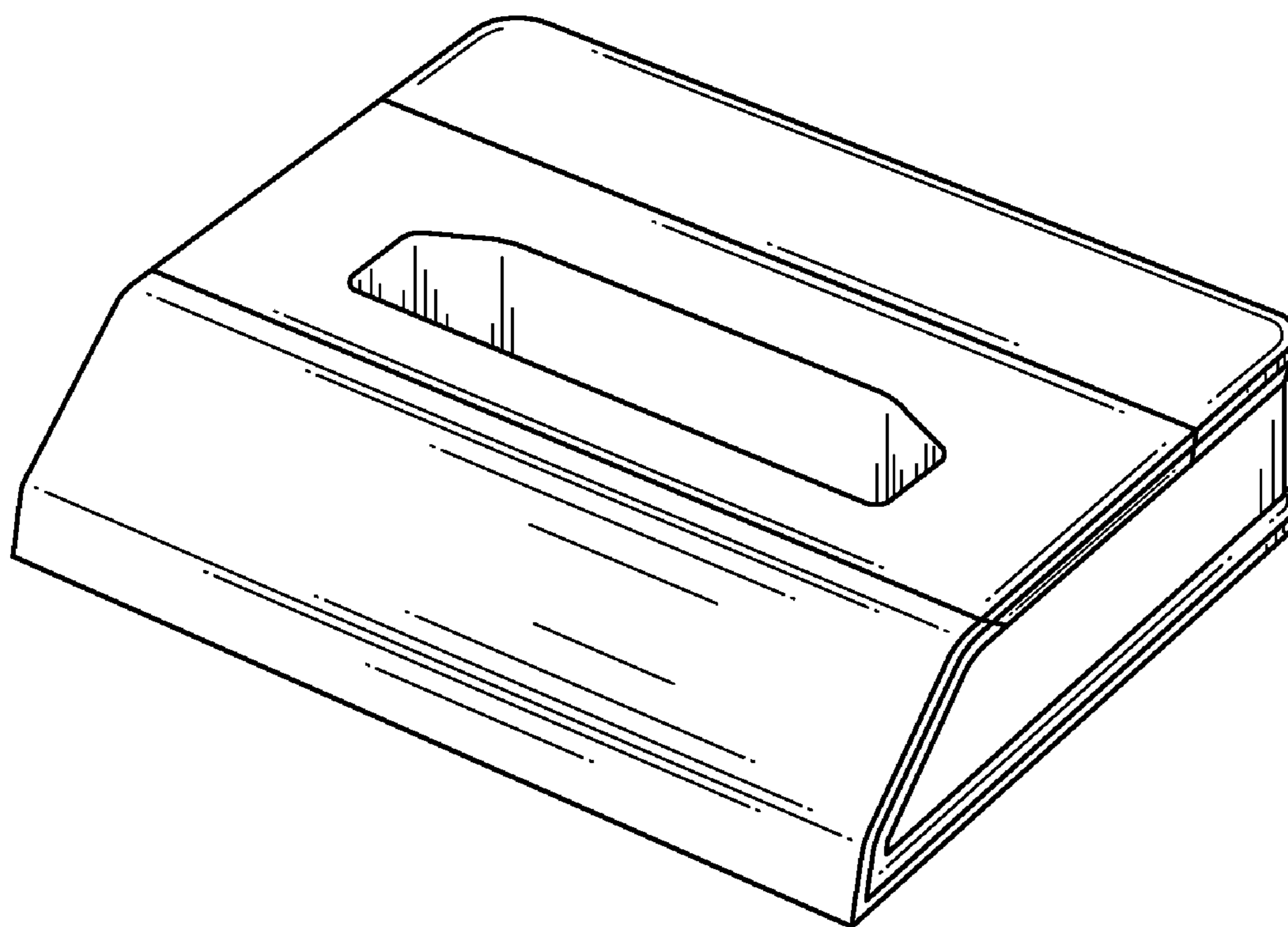


FIG. 1

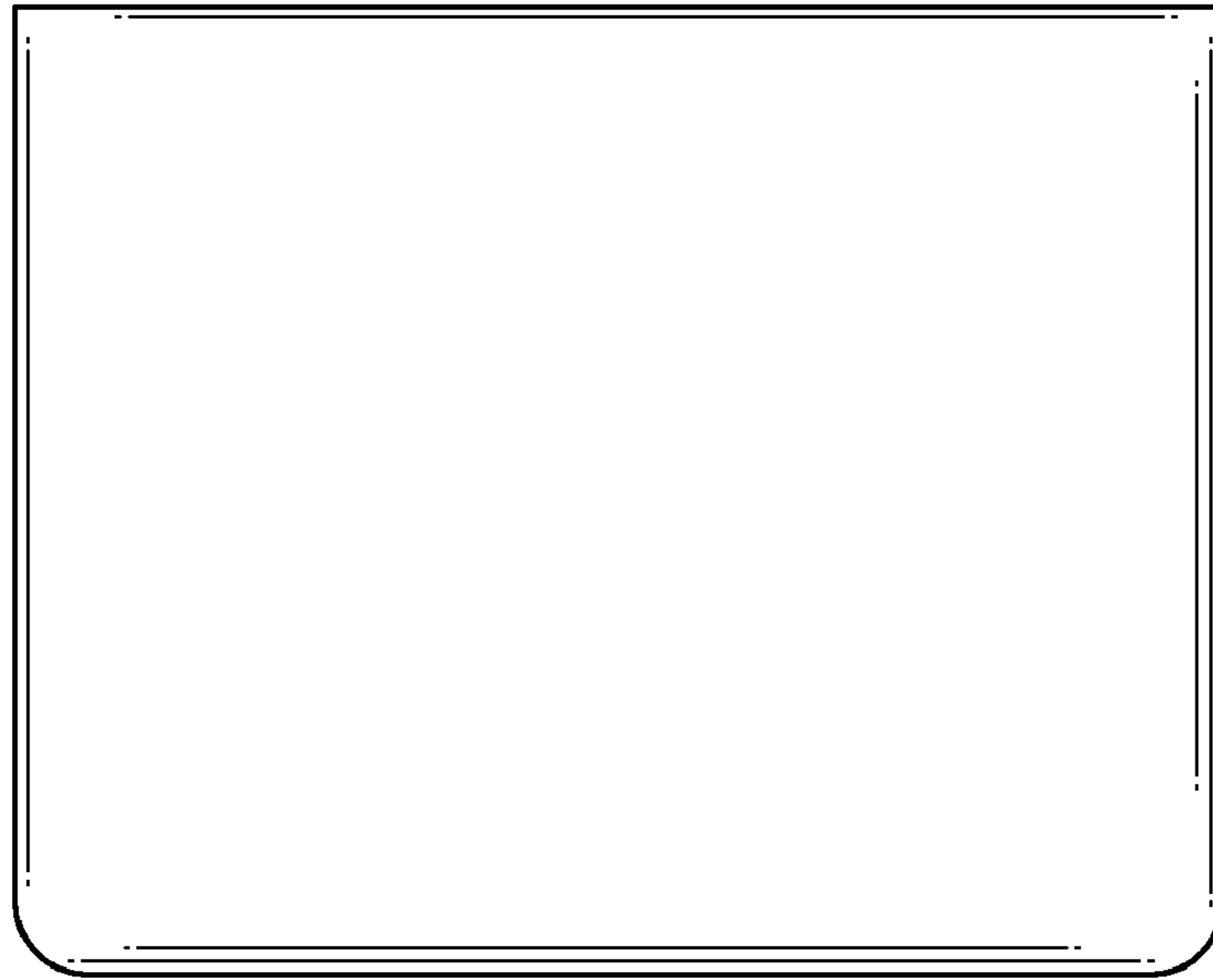


FIG. 2

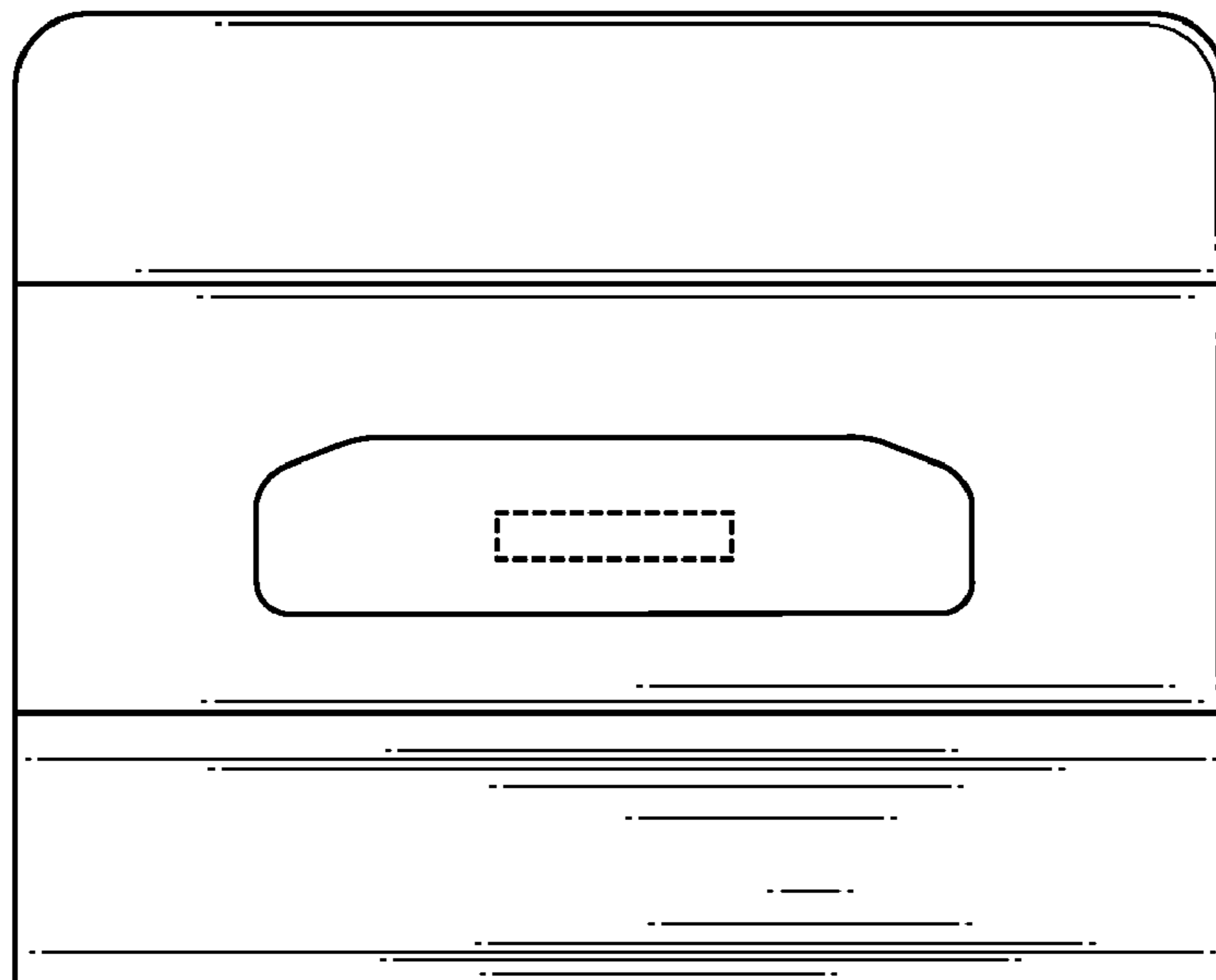


FIG. 3

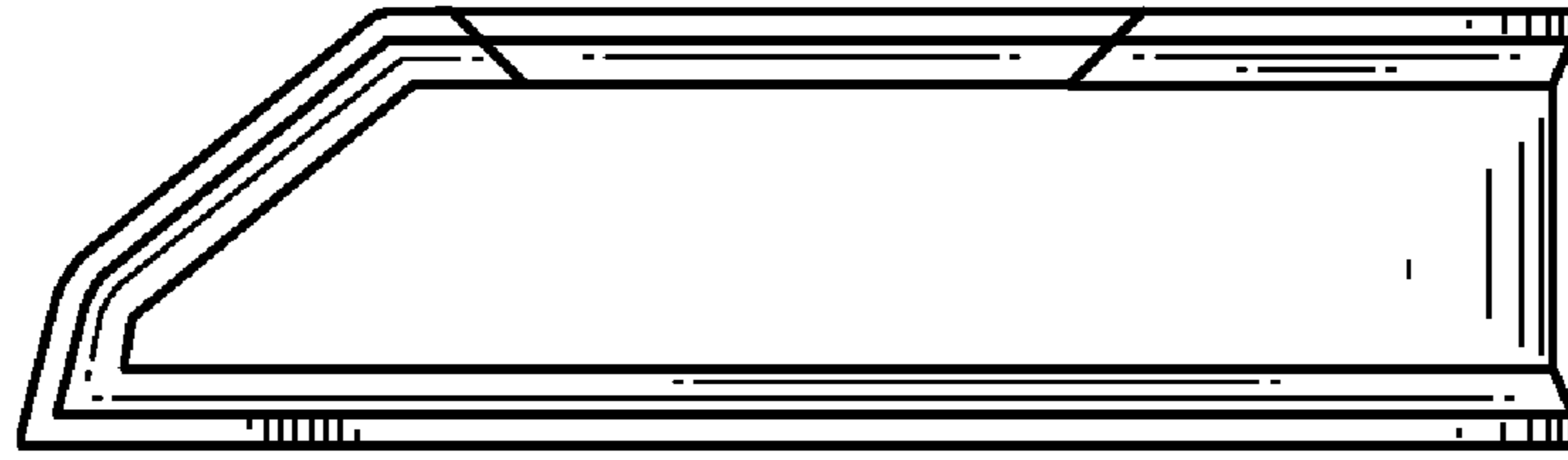


FIG. 4

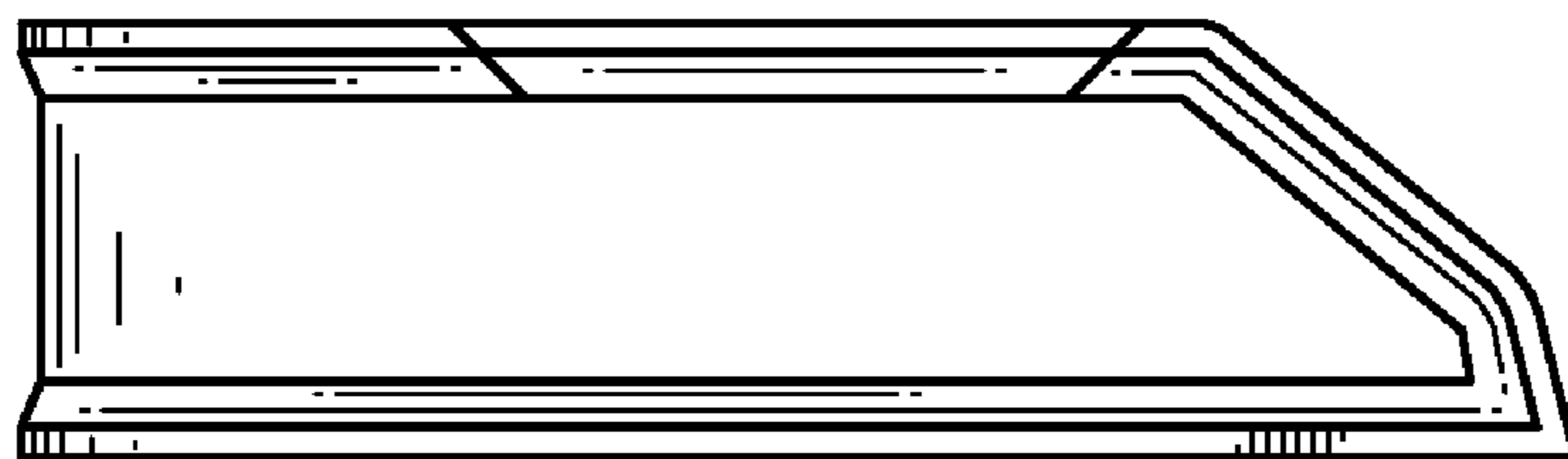


FIG. 5

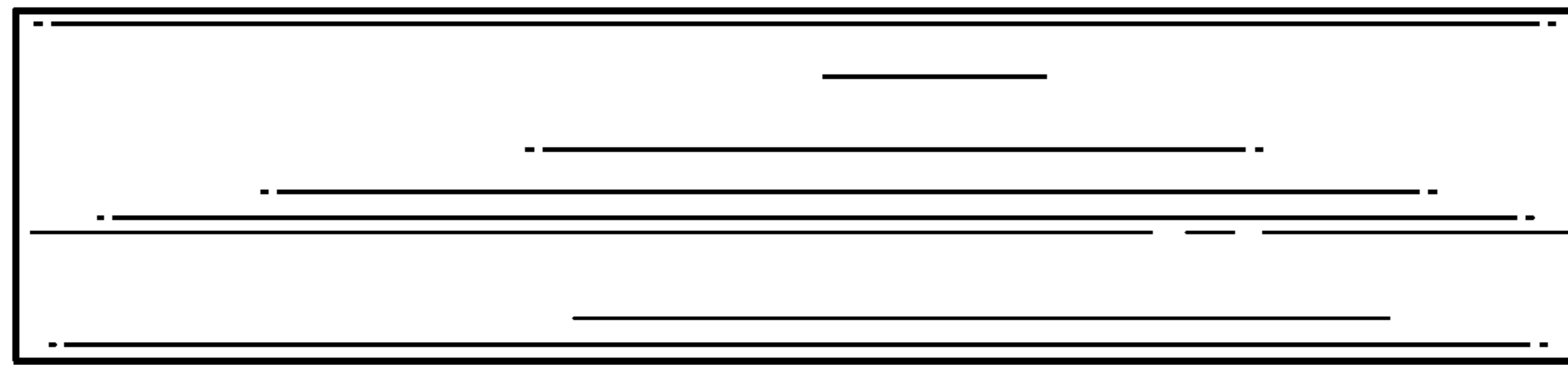


FIG. 6

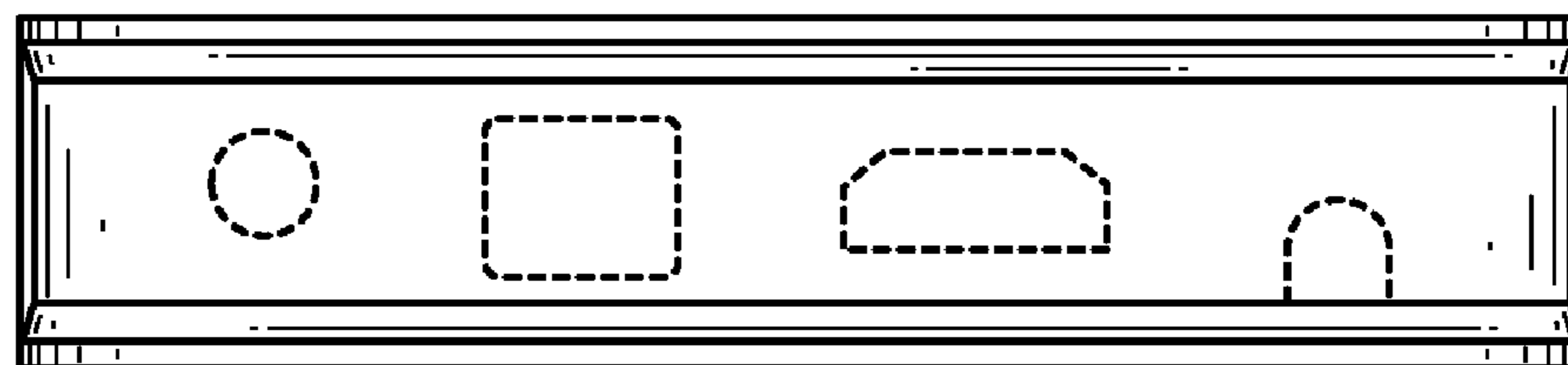


FIG. 7