

US00D623187S

(12) **United States Design Patent**  
**Cacioppo et al.**

(10) **Patent No.:** **US D623,187 S**  
(45) **Date of Patent:** **\*\* Sep. 7, 2010**

(54) **STYLUS**

(75) Inventors: **Christopher M. Cacioppo**, Somerville, MA (US); **Manuel Perez**, Somerville, MA (US); **Hector Padilla**, Chelsea, MA (US); **Timothy Higgins**, Somerville, MA (US); **Louis Frank Genatossio**, Shrewsbury, MA (US); **Rick Burnham**, Gloucester, MA (US); **Dan DeOreo**, Manchester, MA (US)

(73) Assignee: **Sanford, L.P.**, Oak Brook, IL (US)

(\*\*) Term: **14 Years**

(21) Appl. No.: **29/352,985**

(22) Filed: **Dec. 30, 2009**

(51) **LOC (9) Cl.** ..... **14-02**

(52) **U.S. Cl.** ..... **D14/411**

(58) **Field of Classification Search** ..... D8/61;  
D14/411, 225, 228; D19/35, 36, 41-51,  
D19/54-58; 401/55, 99, 100, 104-107, 196,  
401/197, 202, 208, 209, 213, 192, 195, 243;  
708/107; 345/179, 173; 178/19.01; 700/94  
See application file for complete search history.

(56) **References Cited**

**U.S. PATENT DOCUMENTS**

D200,732 S \* 3/1965 Fischer ..... D8/61  
4,633,045 A \* 12/1986 Bartlett ..... 381/357

D499,447 S \* 12/2004 Hui-Kuo ..... D19/36  
D500,085 S \* 12/2004 Cotter et al. .... D19/66  
D504,678 S \* 5/2005 Ruhrig ..... D14/228  
7,109,979 B2 \* 9/2006 Moyne et al. .... 345/179  
D565,653 S \* 4/2008 Freed et al. .... D19/36  
D584,355 S \* 1/2009 Hidaka et al. .... D19/51  
D595,718 S \* 7/2009 Richter et al. .... D14/411  
D607,441 S \* 1/2010 Yamakawa ..... D14/225  
D614,622 S \* 4/2010 Nakata ..... D14/411

\* cited by examiner

*Primary Examiner*—Austin Murphy

(74) *Attorney, Agent, or Firm*—Marshall, Gerstein & Borun LLP

(57) **CLAIM**

The ornamental design for a stylus, as shown and described.

**DESCRIPTION**

FIG. 1 is a perspective view showing our new design for a stylus;

FIG. 2 is a front view of the stylus of FIG. 1;

FIG. 3 is a right side view of the stylus of FIG. 1;

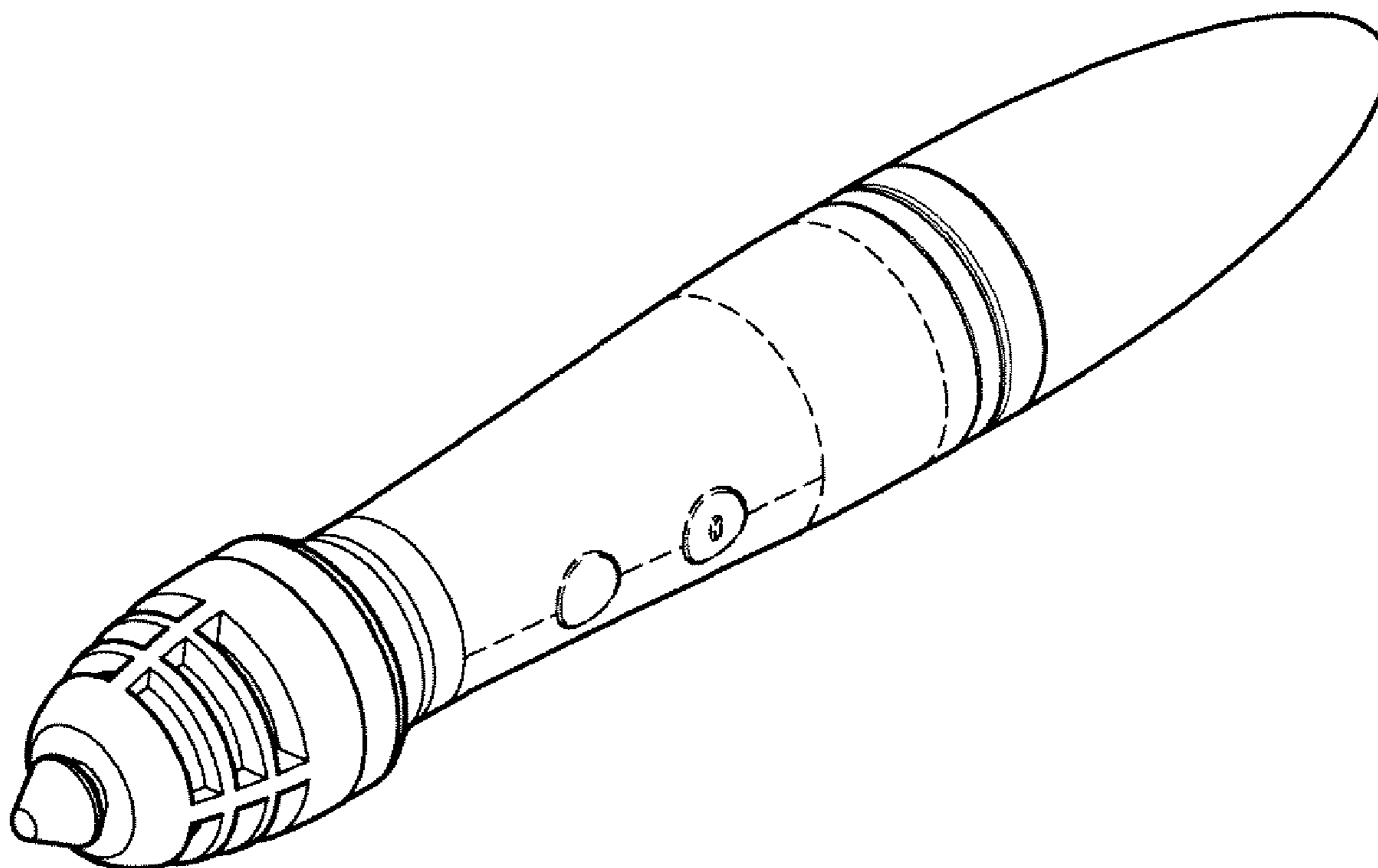
FIG. 4 is a back view of the stylus of FIG. 1;

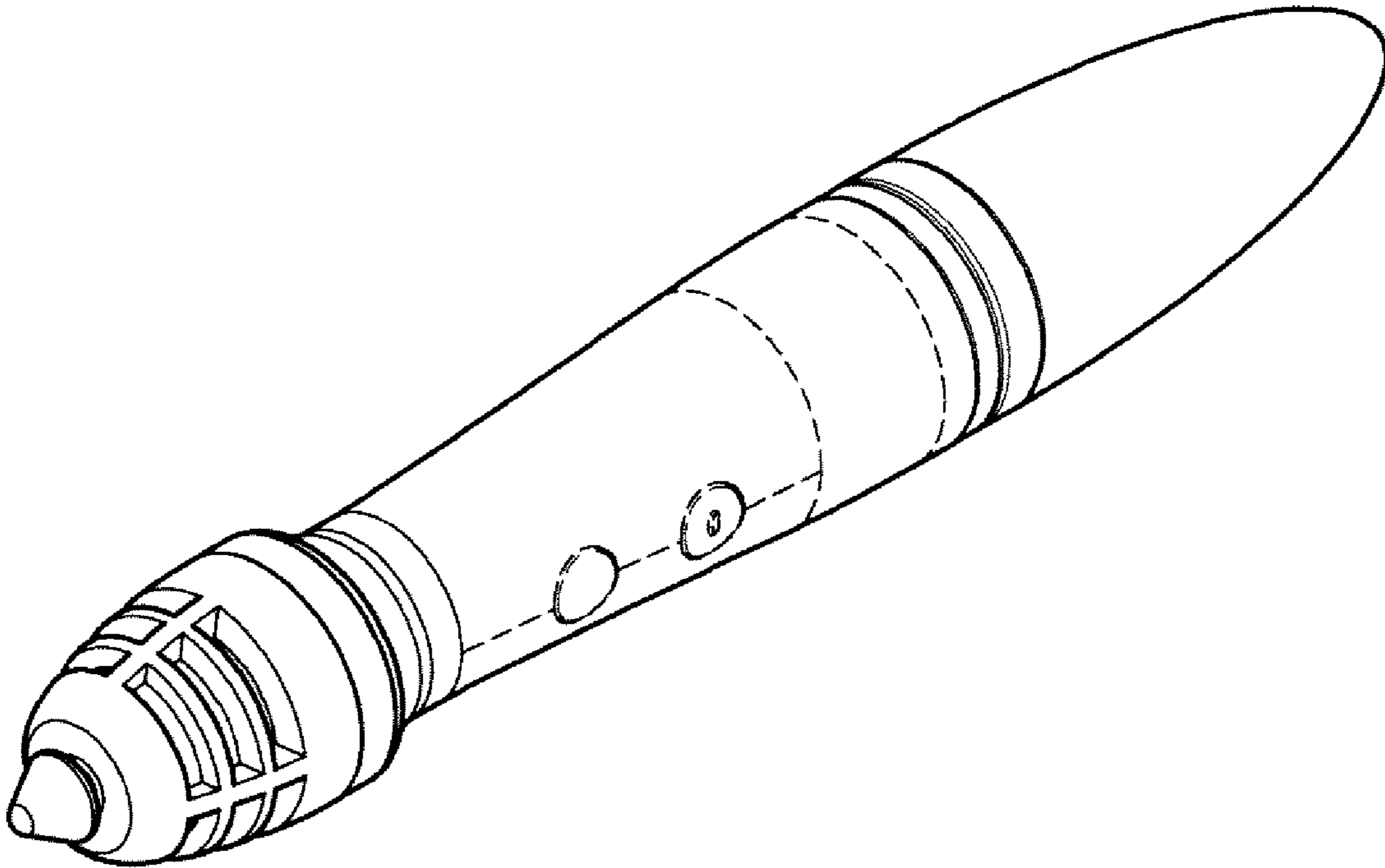
FIG. 5 is a left side view of the stylus of FIG. 1; and,

FIG. 6 is a bottom plan view of the stylus of FIG. 1.

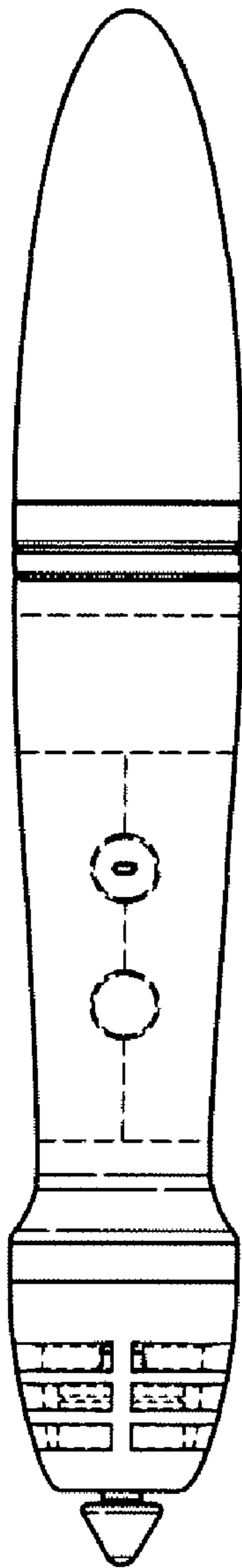
The broken lines shown in the drawings represent portions of the stylus that form no part of the claimed design.

**1 Claim, 2 Drawing Sheets**

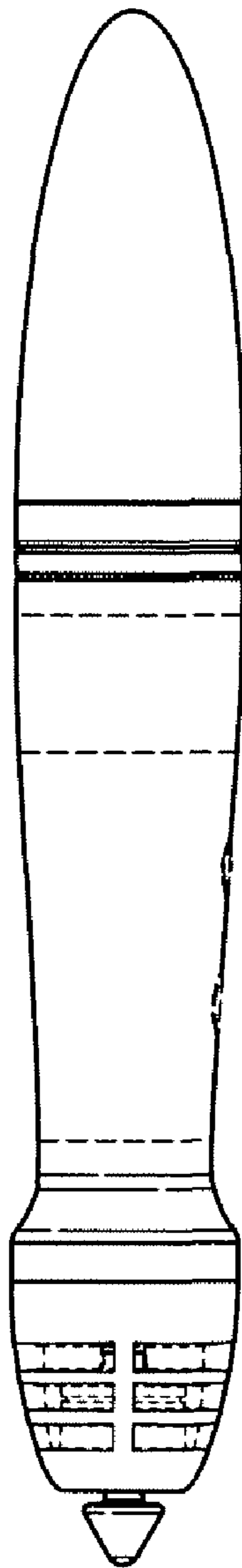




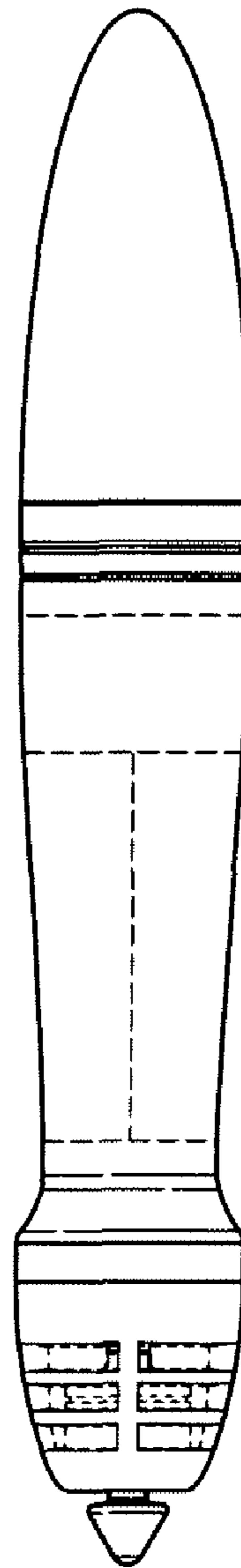
**FIG. 1**



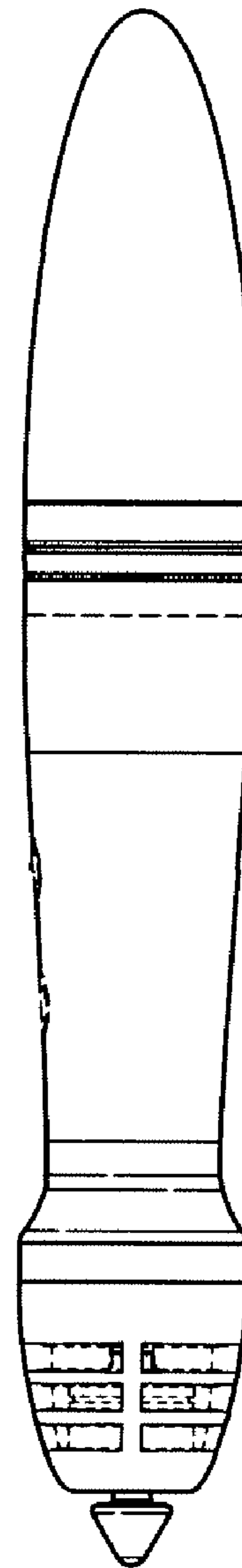
**FIG. 2**



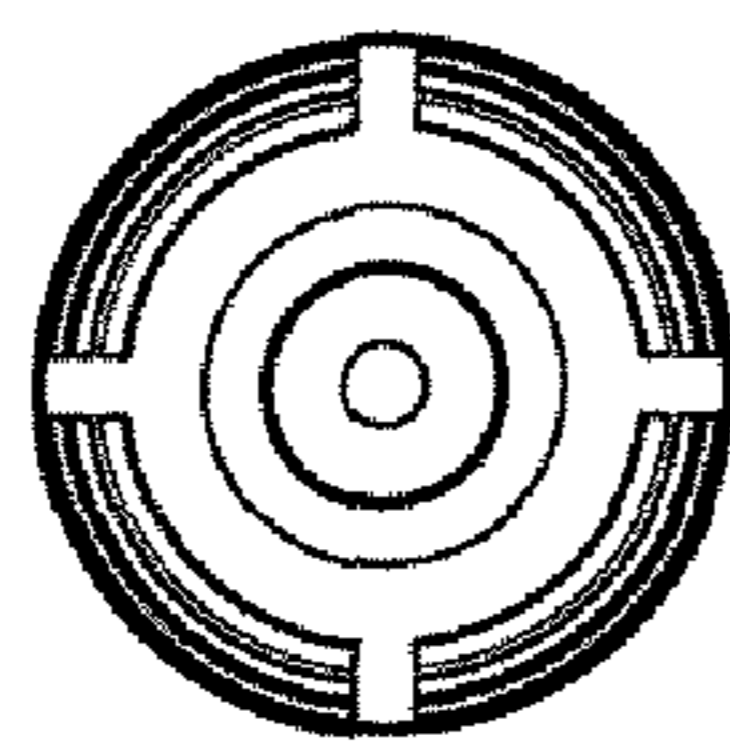
**FIG. 3**



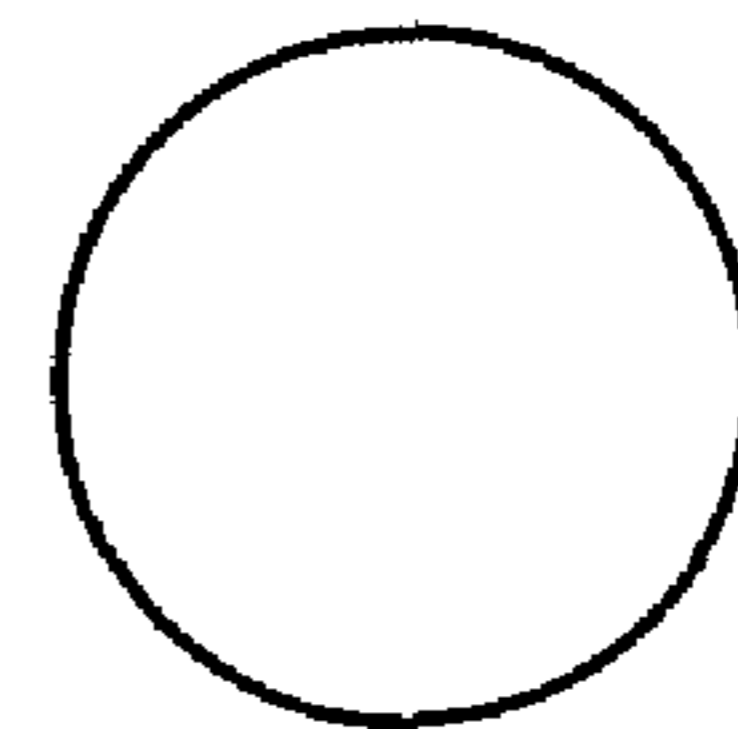
**FIG. 4**



**FIG. 5**



**FIG. 6**



**FIG. 7**