



US00D623183S

(12) **United States Design Patent**
Hong et al.

(10) **Patent No.:** **US D623,183 S**
(45) **Date of Patent:** **** Sep. 7, 2010**

(54) **HANDHELD ELECTRONIC DEVICE**

(75) Inventors: **Fu-Long Hong**, Taoyuan County (TW);
Yen-Hung Lin, Taoyuan County (TW);
Shih-Fen Kao, Taoyuan County (TW)

(73) Assignee: **HTC Corporation**, Taoyuan (TW)

(**) Term: **14 Years**

(21) Appl. No.: **29/345,287**

(22) Filed: **Oct. 13, 2009**

(30) **Foreign Application Priority Data**

Aug. 5, 2009 (TW) 98303639

(51) **LOC (9) Cl.** **14-02**

(52) **U.S. Cl.** **D14/341; D14/138 G**

(58) **Field of Classification Search** D14/341-347,
D14/137, 138, 138.1, 138 AA, 138 R, 138 AB,
D14/138 AC, 138 AD, 138 C, 138 G, 496,
D14/203.1, 203.3, 203.4, 203.5, 203.6, 203.7,
D14/426, 427, 428, 432, 429, 129, 130, 420,
D14/439-441, 448, 125, 147, 156, 218, 247-248,
D14/250, 389, 336; D10/65, 104; D18/6-7;
D21/29, 686, 33, 324, 329, 330; D6/596,
D6/601, 605; D19/60; 345/169, 901, 905;
348/169; 361/814; 341/122; 346/173; 379/433.04,
379/433.07, 433.11, 43.12, 433.13, 910,
379/916, 433.01, 433.06

See application file for complete search history.

(56) **References Cited**

U.S. PATENT DOCUMENTS

D559,220 S * 1/2008 Lee et al. D14/138 AD
D565,596 S * 4/2008 Kim D14/496
D568,285 S * 5/2008 Lee et al. D14/138 G
D572,694 S * 7/2008 Park D14/138 G
D579,433 S * 10/2008 Han et al. D14/138 AD
D579,905 S * 11/2008 Kim et al. D14/138 AD
D585,044 S * 1/2009 Seo et al. D14/138 AD
D589,482 S 3/2009 Lee et al.
D601,538 S * 10/2009 Hong D14/138 G

D603,362 S * 11/2009 Kim et al. D14/138 G
D605,155 S * 12/2009 Cha et al. D14/138 AD
D611,446 S * 3/2010 Ho D14/138 AD
D611,923 S * 3/2010 Hong et al. D14/138 AD
D612,362 S * 3/2010 Yeo et al. D14/203.7
D615,055 S * 5/2010 Lee et al. D14/138 G
D615,956 S * 5/2010 Lin et al. D14/138 G
D615,971 S * 5/2010 Chien et al. D14/341
D616,859 S * 6/2010 Ho et al. D14/138 G
D617,293 S * 6/2010 Yoshihashi D14/138 AD
2008/0004083 A1 * 1/2008 Ohki et al. 455/566

FOREIGN PATENT DOCUMENTS

TW D124798 S 9/2008
TW D125188 S 10/2008
TW D134384 S 4/2010

* cited by examiner

Primary Examiner—Cathron C Brooks

Assistant Examiner—Barbara Fox

(74) *Attorney, Agent, or Firm*—Birch, Stewart, Kolasch & Birch, LLP

(57) **CLAIM**

The ornamental design for handheld electronic device, as shown and described.

DESCRIPTION

FIG. 1 is a front perspective view of a handheld electronic device showing the new design;

FIG. 2 is a front view thereof;

FIG. 3 is a rear view thereof;

FIG. 4 is a left side view thereof;

FIG. 5 is a right side view thereof;

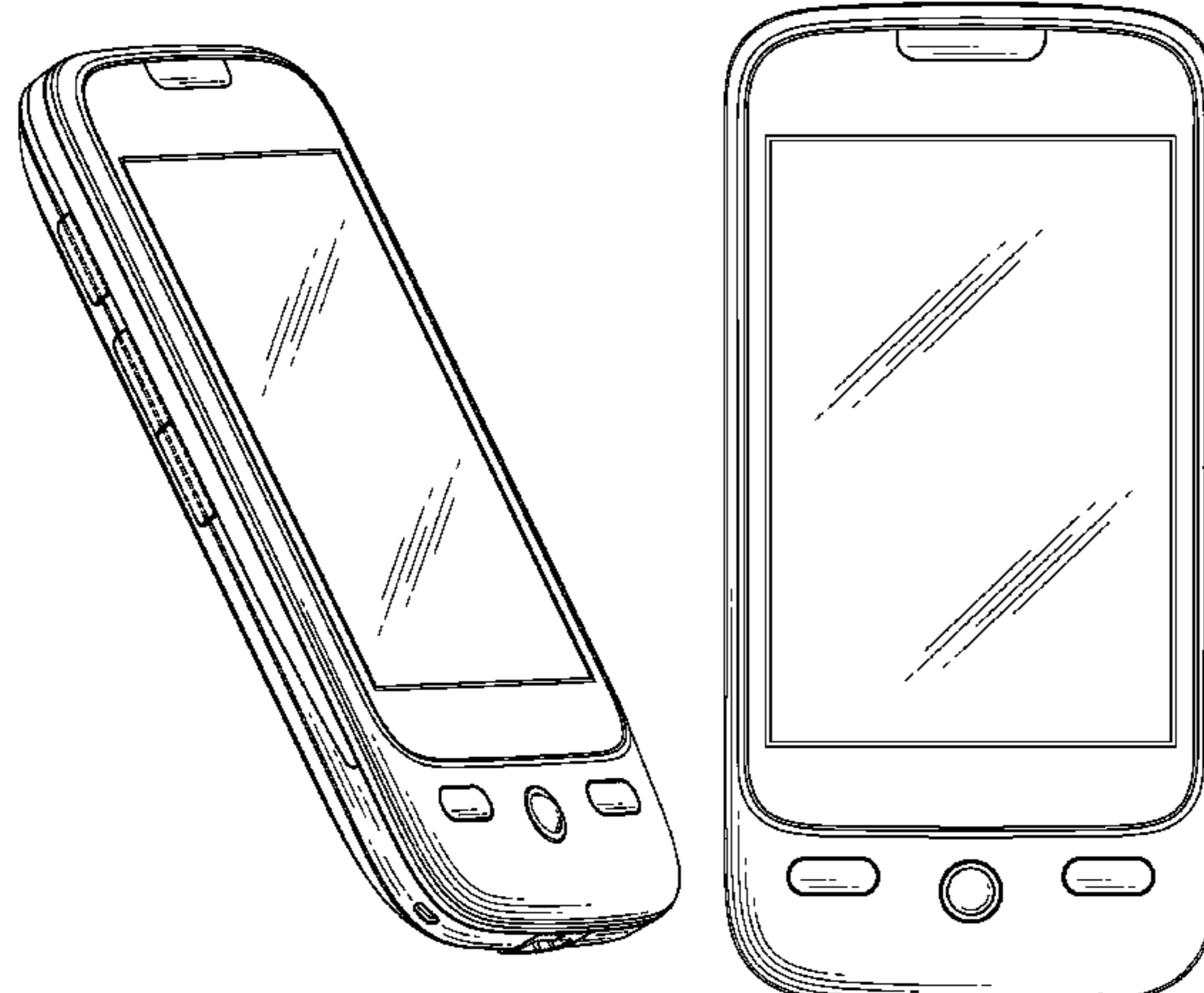
FIG. 6 is a top plan view thereof;

FIG. 7 is a bottom plan view thereof; and,

FIG. 8 is a rear perspective view thereof.

The broken lines shown in the drawings are for the purpose of illustrating unclaimed portions of the handheld electronic device and form no part of the claimed design.

1 Claim, 6 Drawing Sheets



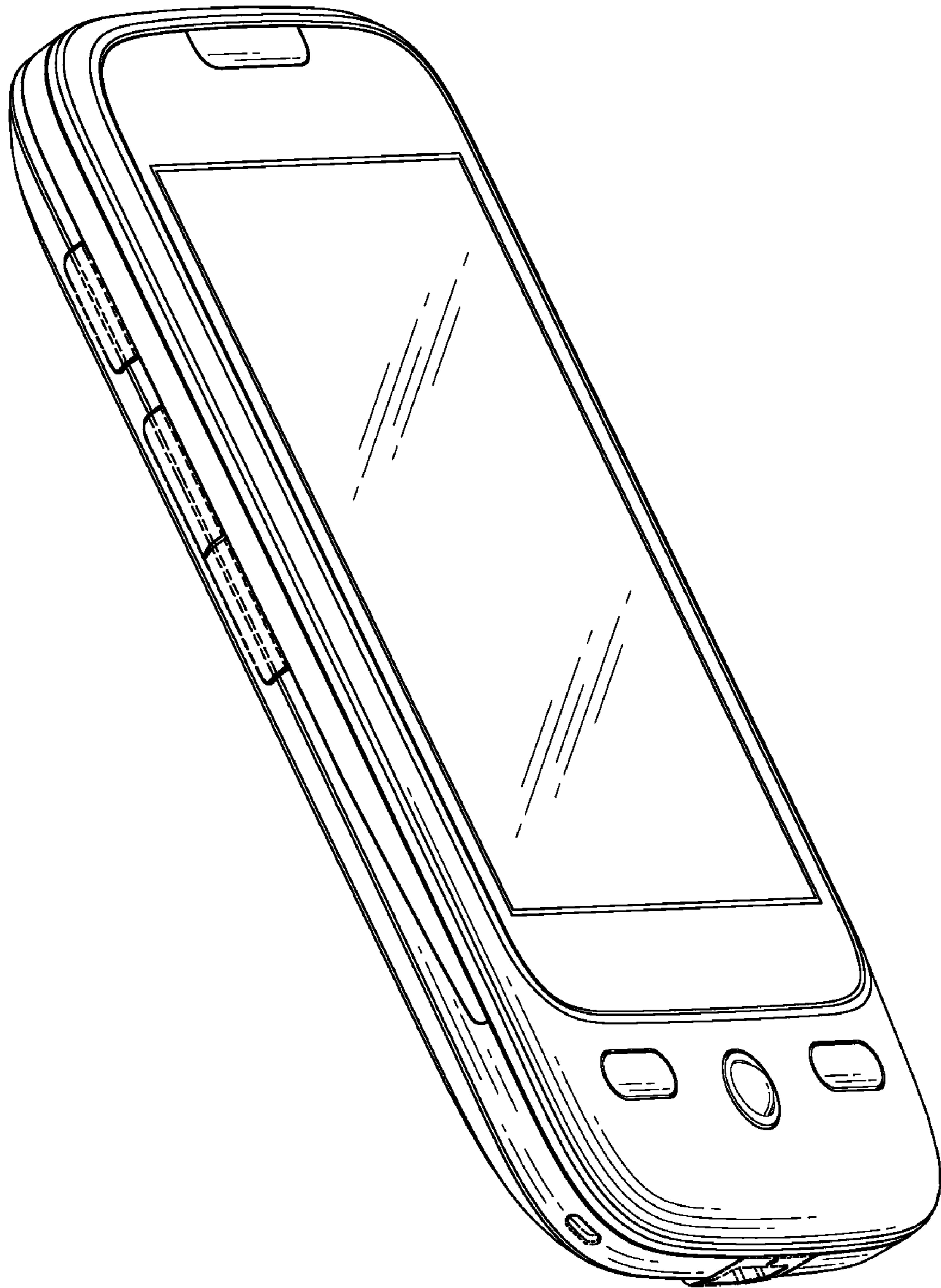


FIG. 1

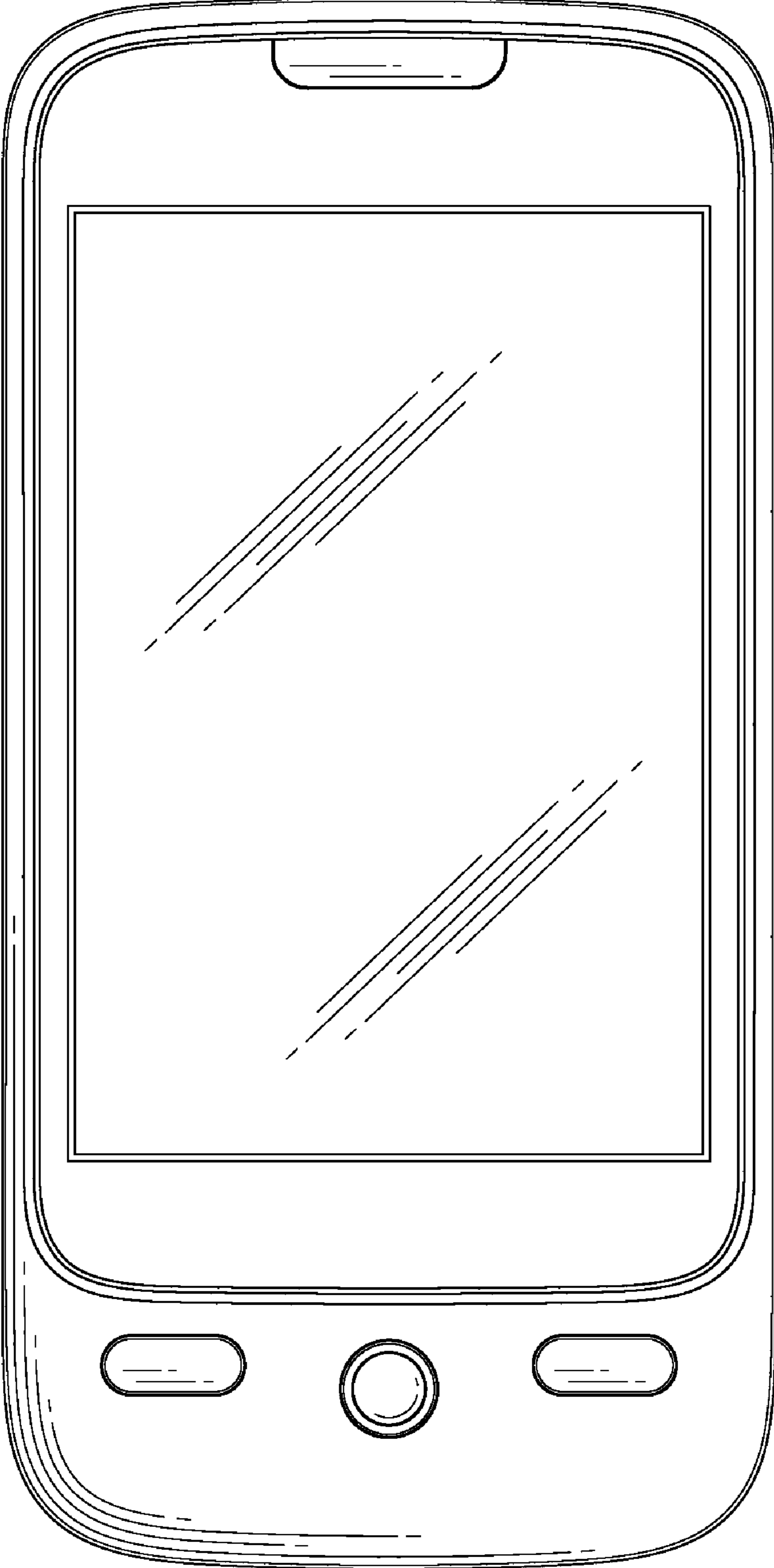


FIG. 2

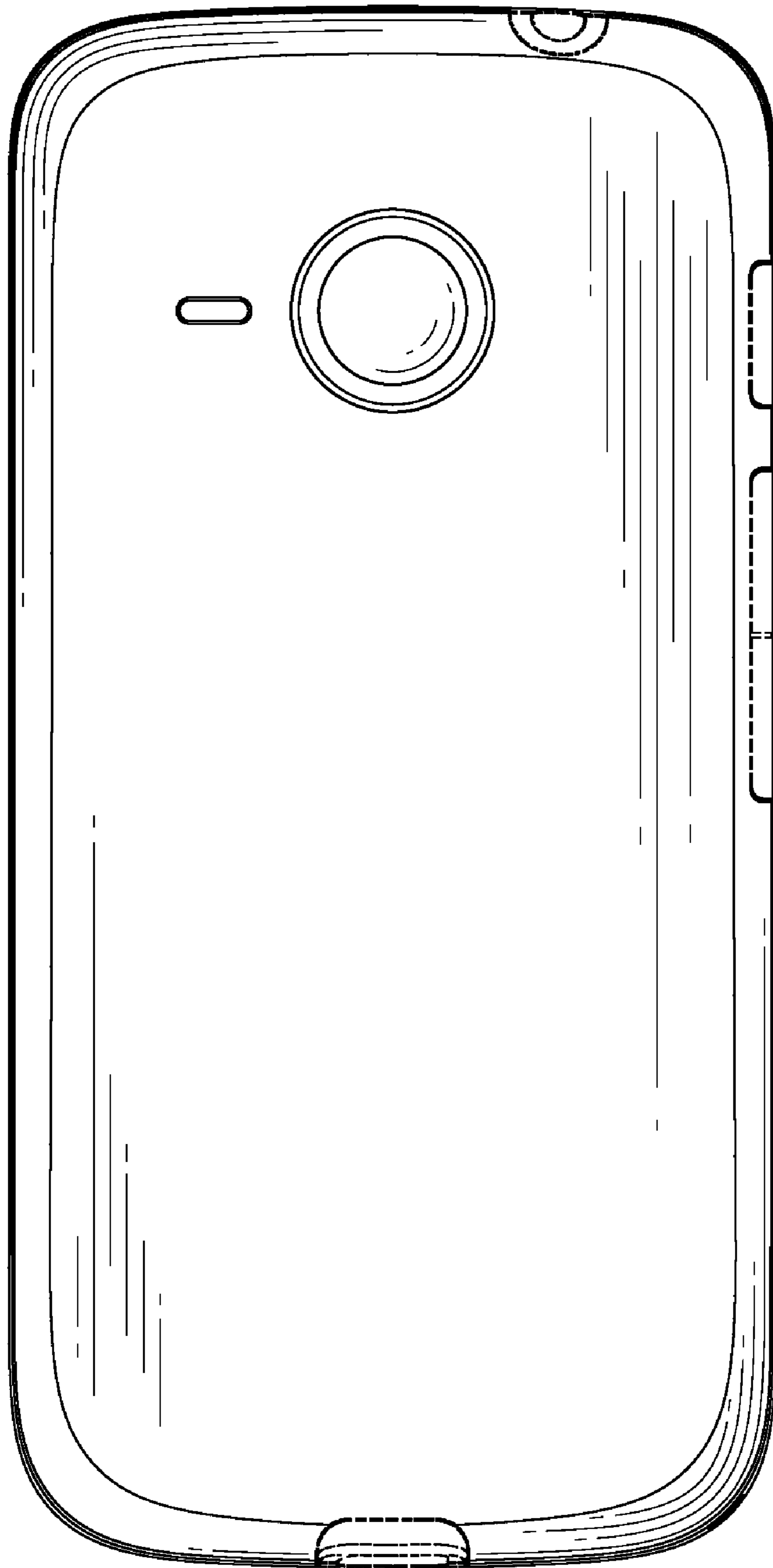


FIG. 3

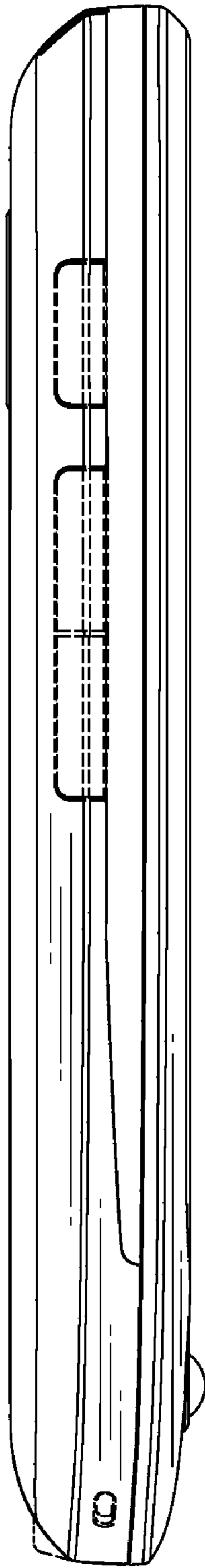


FIG. 4

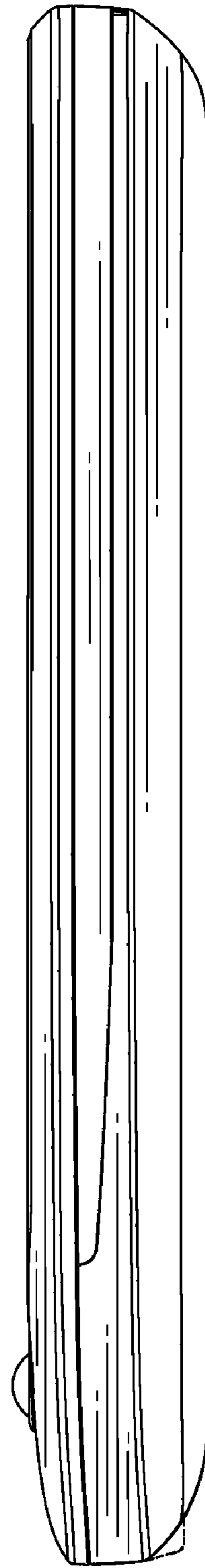


FIG. 5

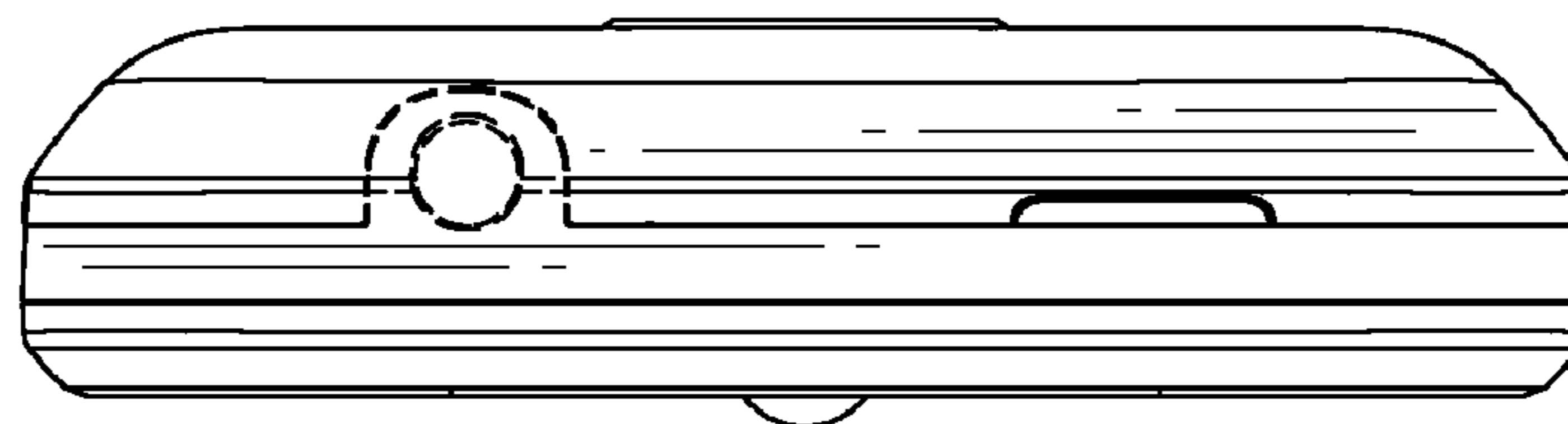


FIG. 6

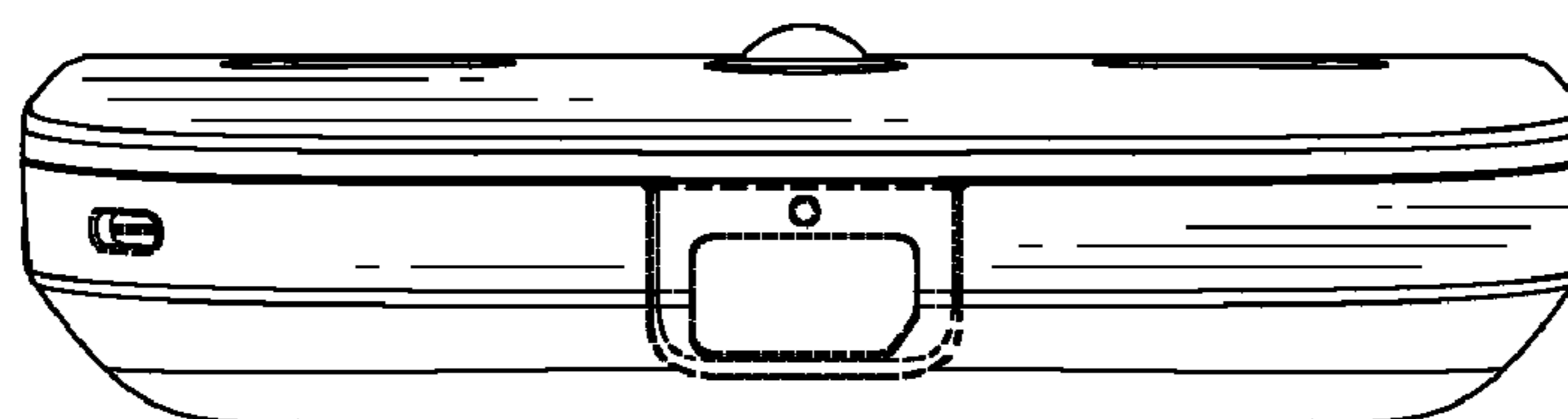


FIG. 7

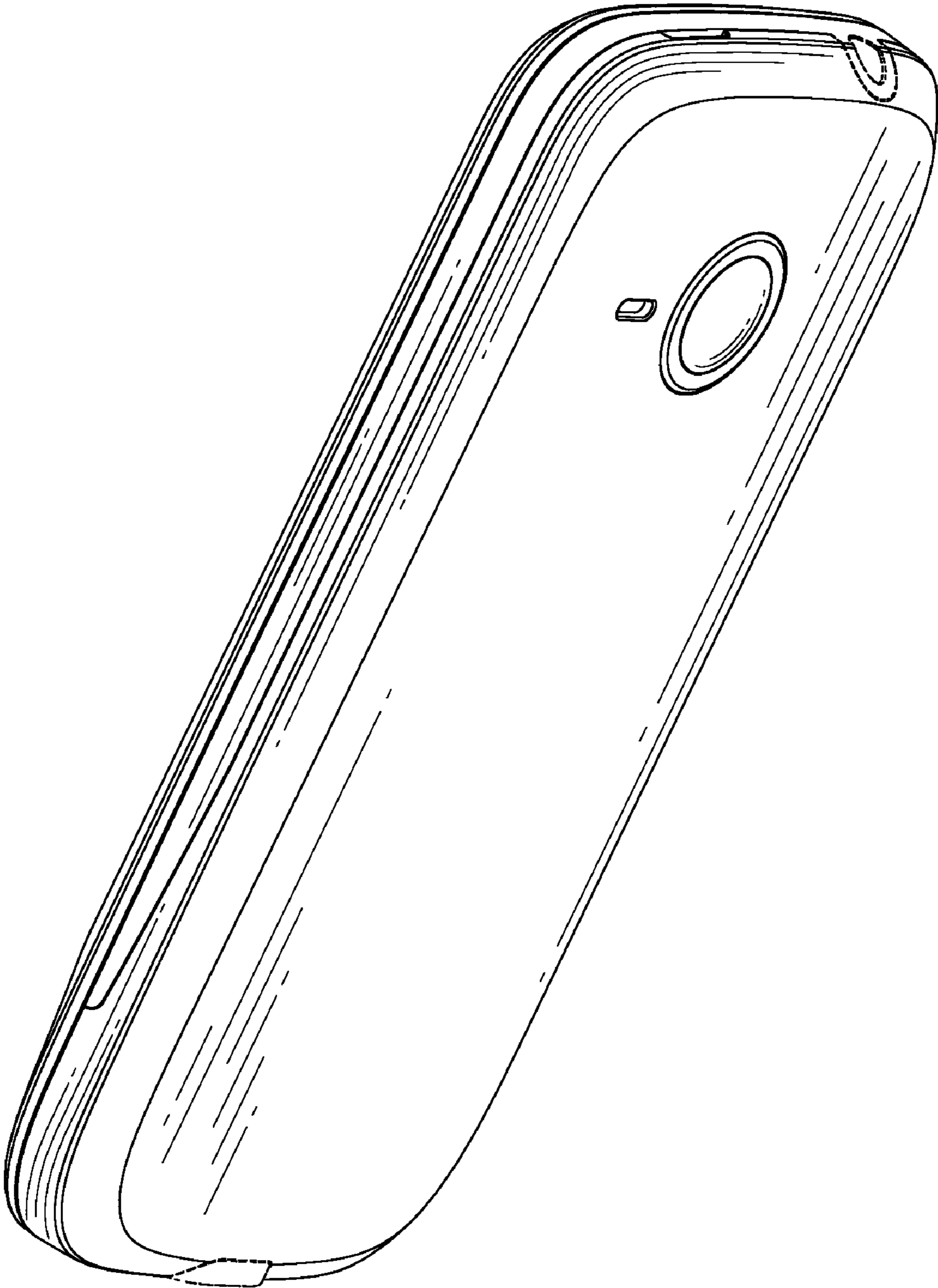


FIG. 8