



US00D623182S

(12) **United States Design Patent**
Patil et al.

(10) **Patent No.:** **US D623,182 S**
(45) **Date of Patent:** **** Sep. 7, 2010**

(54) **LAPTOP COMPUTER**

(75) Inventors: **Satish M. Patil**, Bangalore (IN); **Arun A. B.**, Kerala (IN); **Gregory Littleton**, Brooklyn, NY (US)

(73) Assignee: **MerchSource, LLC**, Foothill Ranch, CA (US)

(**) Term: **14 Years**

(21) Appl. No.: **29/342,000**

(22) Filed: **Aug. 17, 2009**

(51) **LOC (9) Cl.** **14-02**

(52) **U.S. Cl.** **D14/316**

(58) **Field of Classification Search** D14/315-331,
D14/341-346, 316, 318; D18/1, 2, 7, 11;
D19/59, 60; 200/5 A, 5 R, 6 A, 6 R; 345/102,
345/168, 173; 235/145 A, 145 R; 400/484-489;
361/679.06, 679.09, 679.26, 679.27

See application file for complete search history.

(56) **References Cited**

U.S. PATENT DOCUMENTS

D428,414 S * 7/2000 Okumura D14/345

(Continued)

Primary Examiner—Freda S Nunn

(74) *Attorney, Agent, or Firm*—The Eclipse Group LLP

(57) **CLAIM**

I claim the ornamental design for a laptop computer, as shown and described.

DESCRIPTION

FIG. 1 is a top left perspective view of a laptop computer.

FIG. 2 is a top right perspective view of laptop computer illustrated in FIG. 1.

FIG. 3 is a top plan view of the laptop computer illustrated in FIG. 1.

FIG. 4 is a front elevational view of the laptop computer illustrated in FIG. 1.

FIG. 5 is a rear elevational view of the laptop computer illustrated in FIG. 1.

FIG. 6 is a bottom plan view of the laptop computer illustrated in FIG. 1.

FIG. 7 is an elevational view of the right side of the laptop computer illustrated in FIG. 1.

FIG. 8 is an elevational view of the left side of the laptop computer illustrated in FIG. 1.

FIG. 9 is a front perspective view of the laptop computer illustrated in FIG. 1 with the display panel in an open position.

FIG. 10 is a rear perspective view of the laptop computer illustrated in FIG. 1 with the display panel in an open position.

FIG. 11 is a top plan view of the laptop computer illustrated in FIG. 1 with the display panel in an open position.

FIG. 12 is a bottom plan view of the laptop computer illustrated in FIG. 1 with the display panel in an open position.

FIG. 13 is a front elevational view of the laptop computer illustrated in FIG. 1 with the display panel in an open position.

FIG. 14 is a rear elevational view of the laptop computer illustrated in FIG. 1 with the display panel in an open position.

FIG. 15 is an elevational view of the right side of the laptop computer illustrated in FIG. 1 with the display panel in an open position.

FIG. 16 is an elevational view of the left side of the laptop computer illustrated in FIG. 1 with the display panel in an open position.

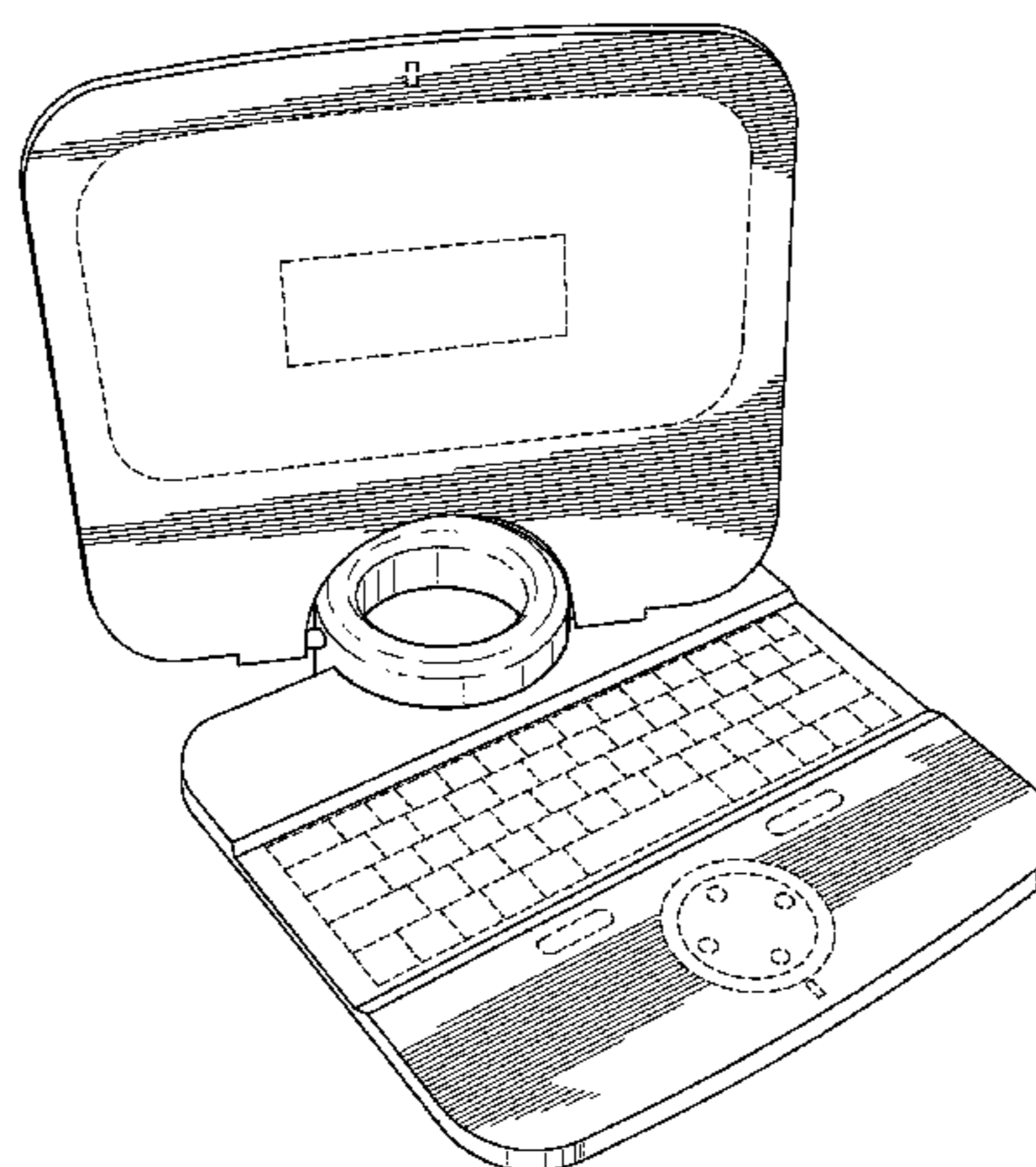
FIG. 17 is a front perspective view of the laptop computer illustrated in FIG. 1 with the display panel in an open rotated position.

FIG. 18 is a top plan view of the laptop computer illustrated in FIG. 1 with the display panel in an open rotated position; and,

FIG. 19 is an elevational view of the left side of the laptop computer illustrated in FIG. 1 with the display panel in an open rotated position.

The portions of the laptop computer in broken lines are shown for illustrative purposes only and form no part of the claimed design.

1 Claim, 15 Drawing Sheets



US D623,182 S

Page 2

U.S. PATENT DOCUMENTS

D435,843 S *	1/2001	Andre et al.	D14/318	D551,223 S *	9/2007	Luminosu et al.	D14/320
6,847,520 B2 *	1/2005	Hashimoto	361/679.01	D579,907 S *	11/2008	Harmon	D14/138 AB
6,870,740 B2 *	3/2005	Hsu et al.	361/732	D584,301 S *	1/2009	Soetejo et al.	D14/327
D521,992 S *	5/2006	Morooka et al.	D14/316	D588,131 S *	3/2009	Harmon	D14/392
7,181,256 B2 *	2/2007	Hyun et al.	455/575.3	D595,297 S *	6/2009	Morishita et al.	D14/439
				2004/0083577 A1 *	5/2004	Lu et al.	16/367

* cited by examiner

FIG. 1

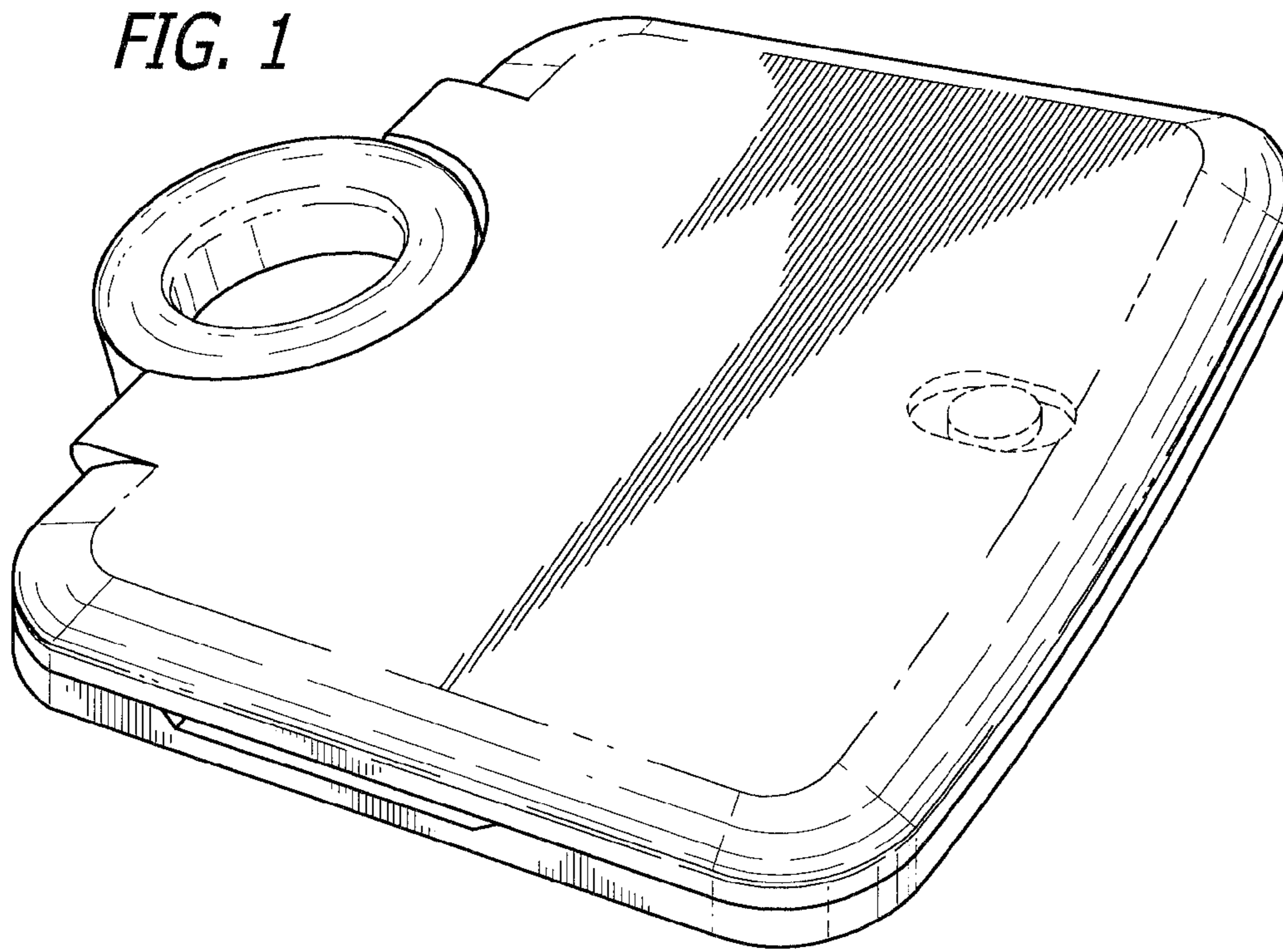


FIG. 2

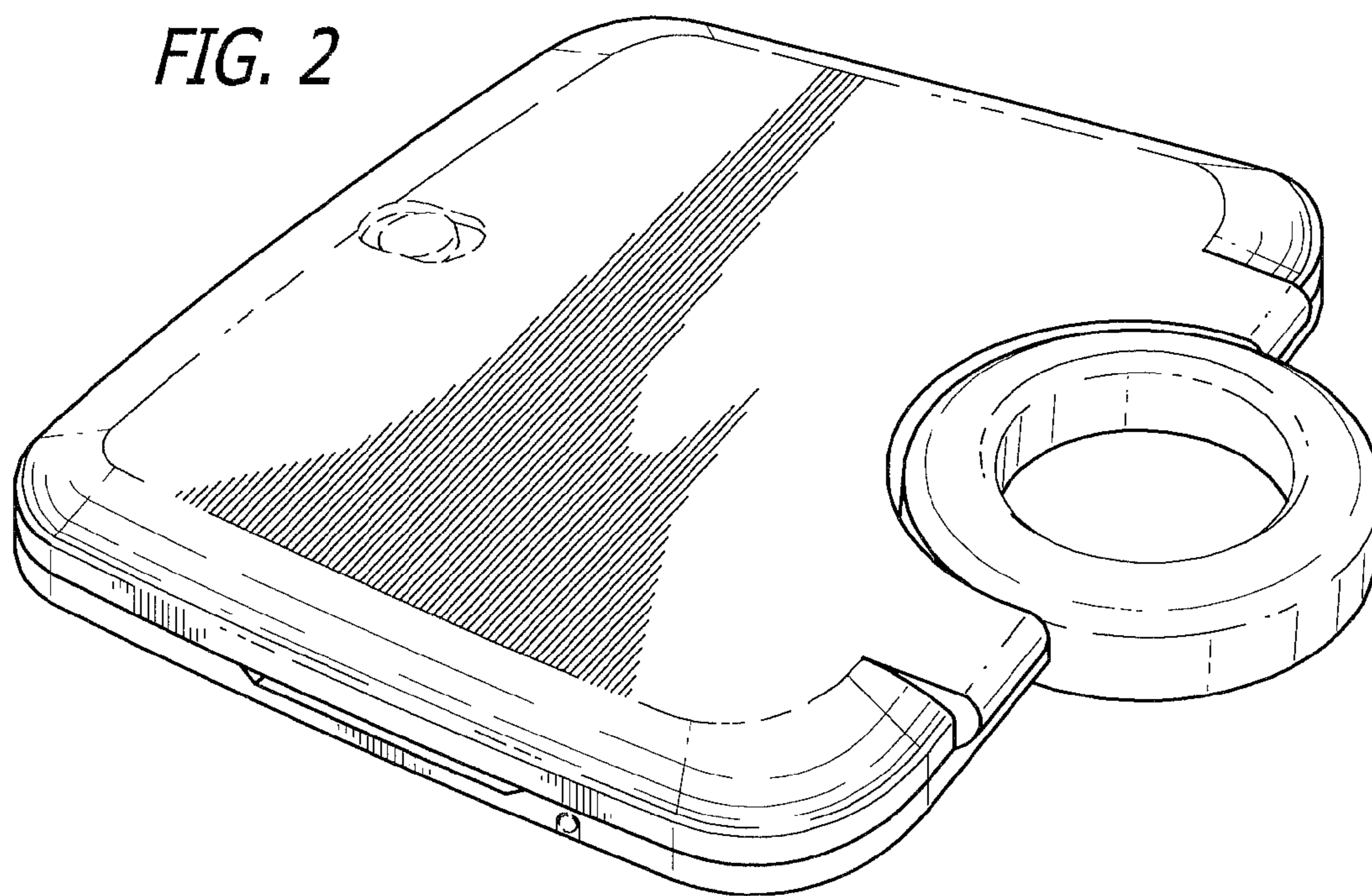


FIG. 3

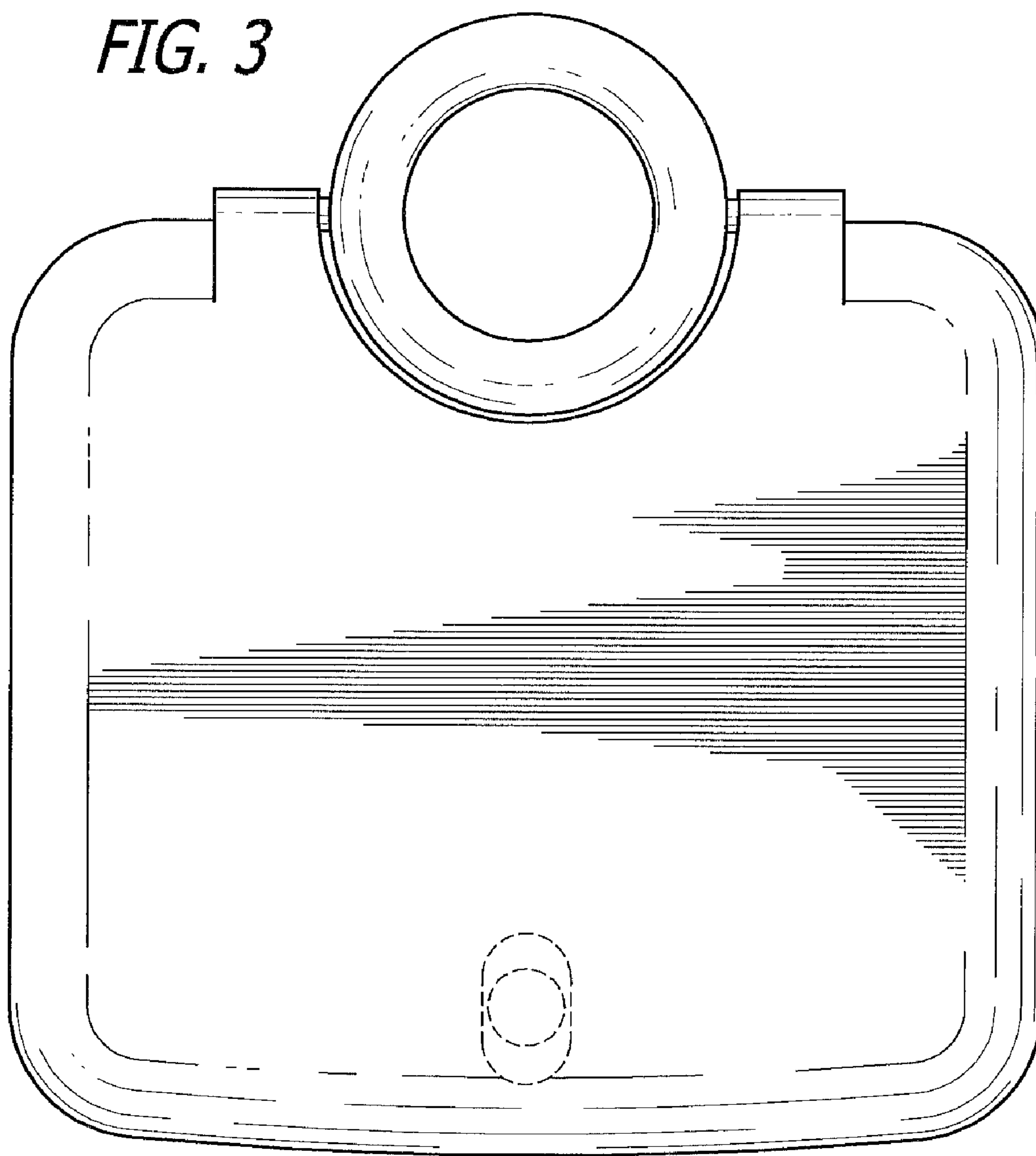


FIG. 4

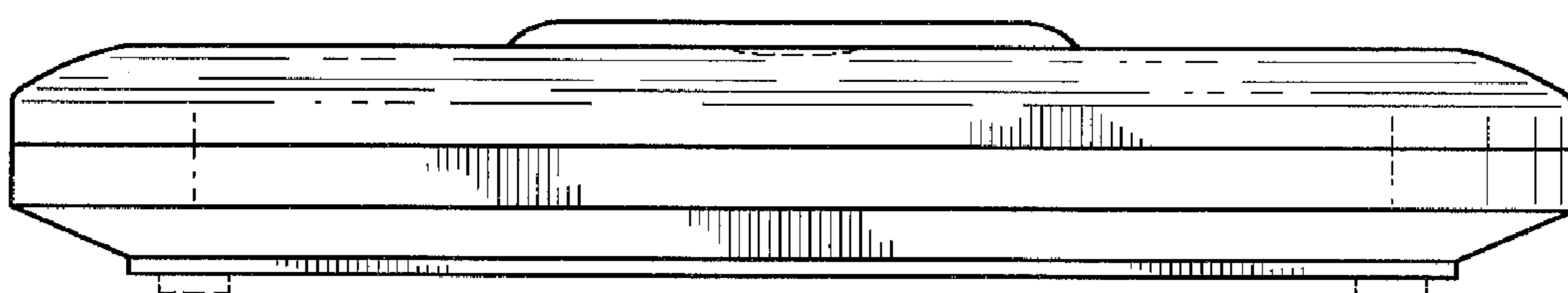


FIG. 5

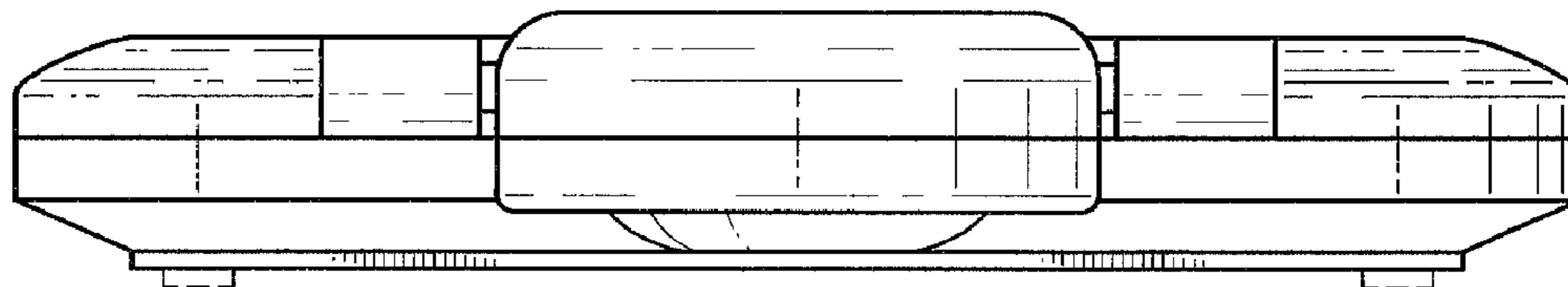


FIG. 6

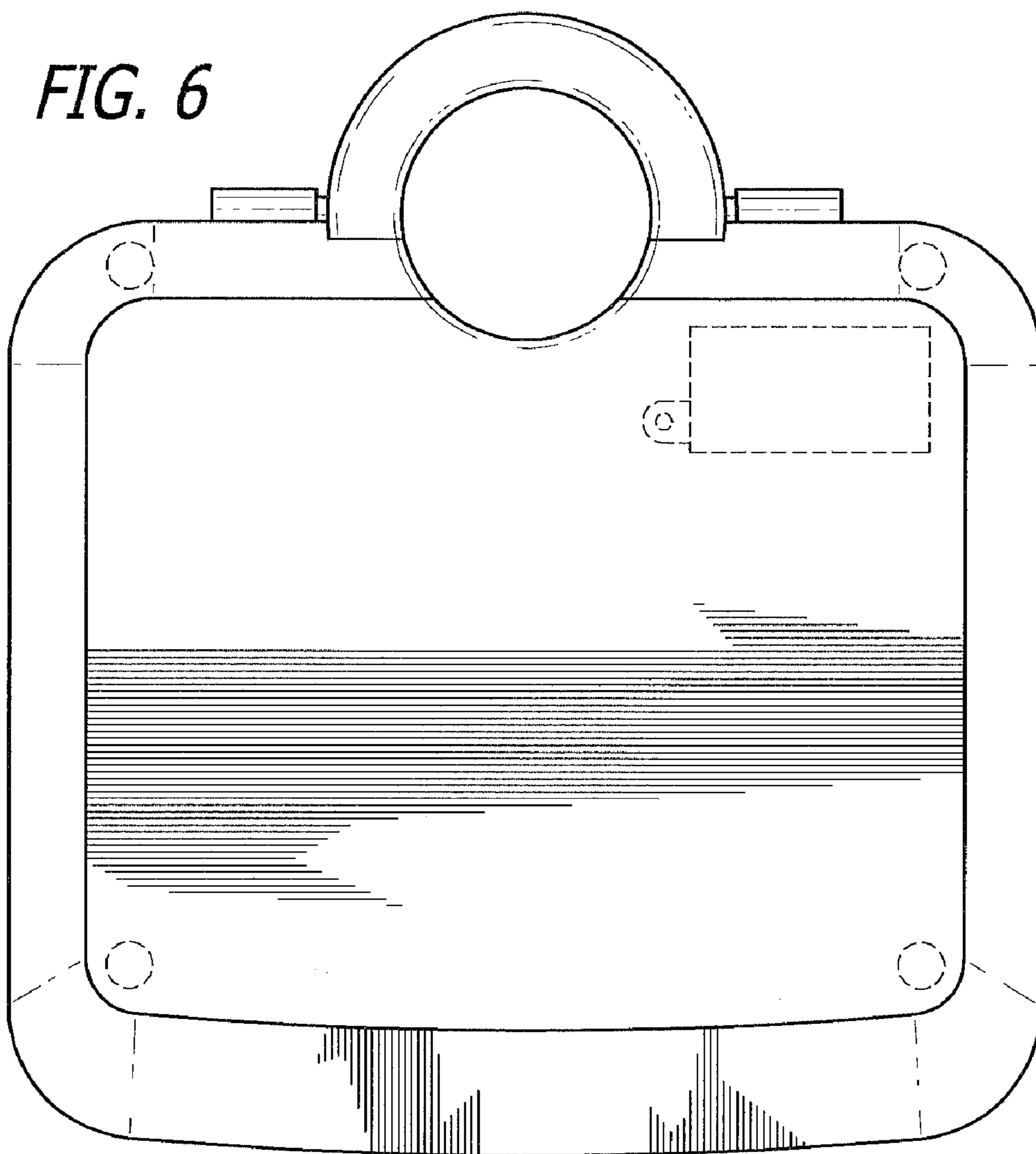


FIG. 7

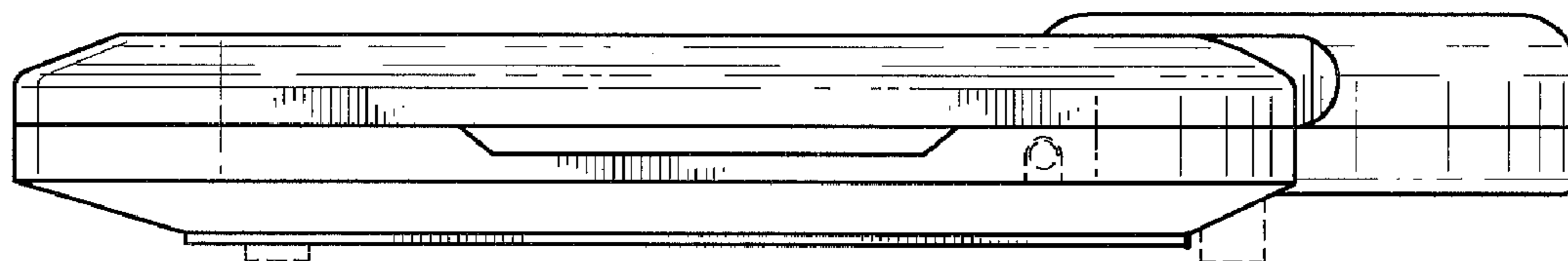


FIG. 8

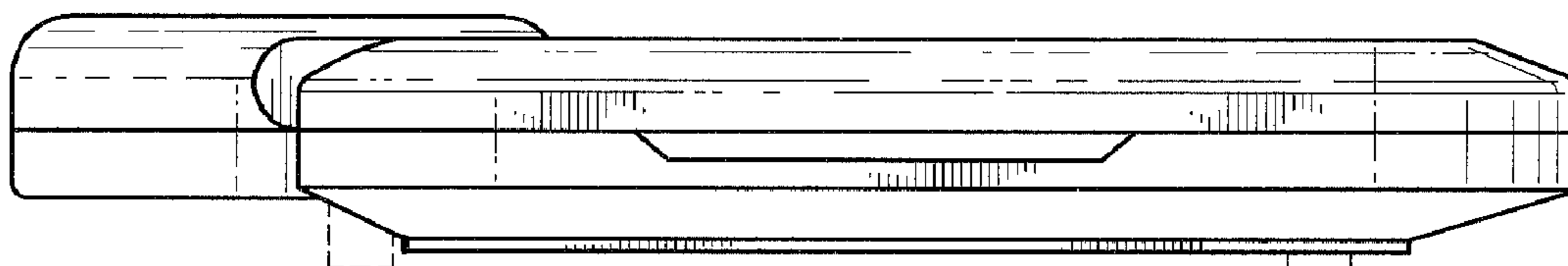


FIG. 9

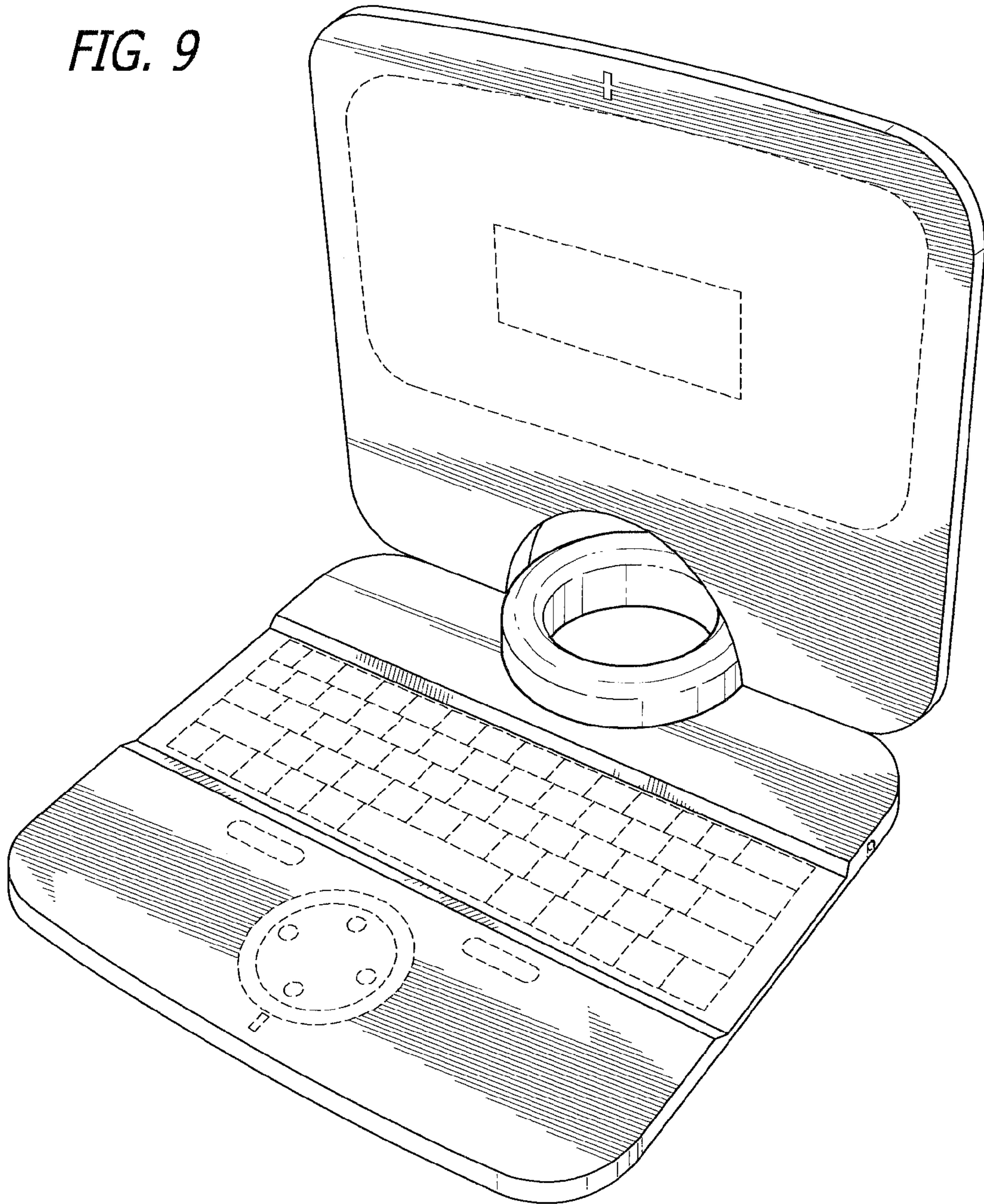


FIG. 10

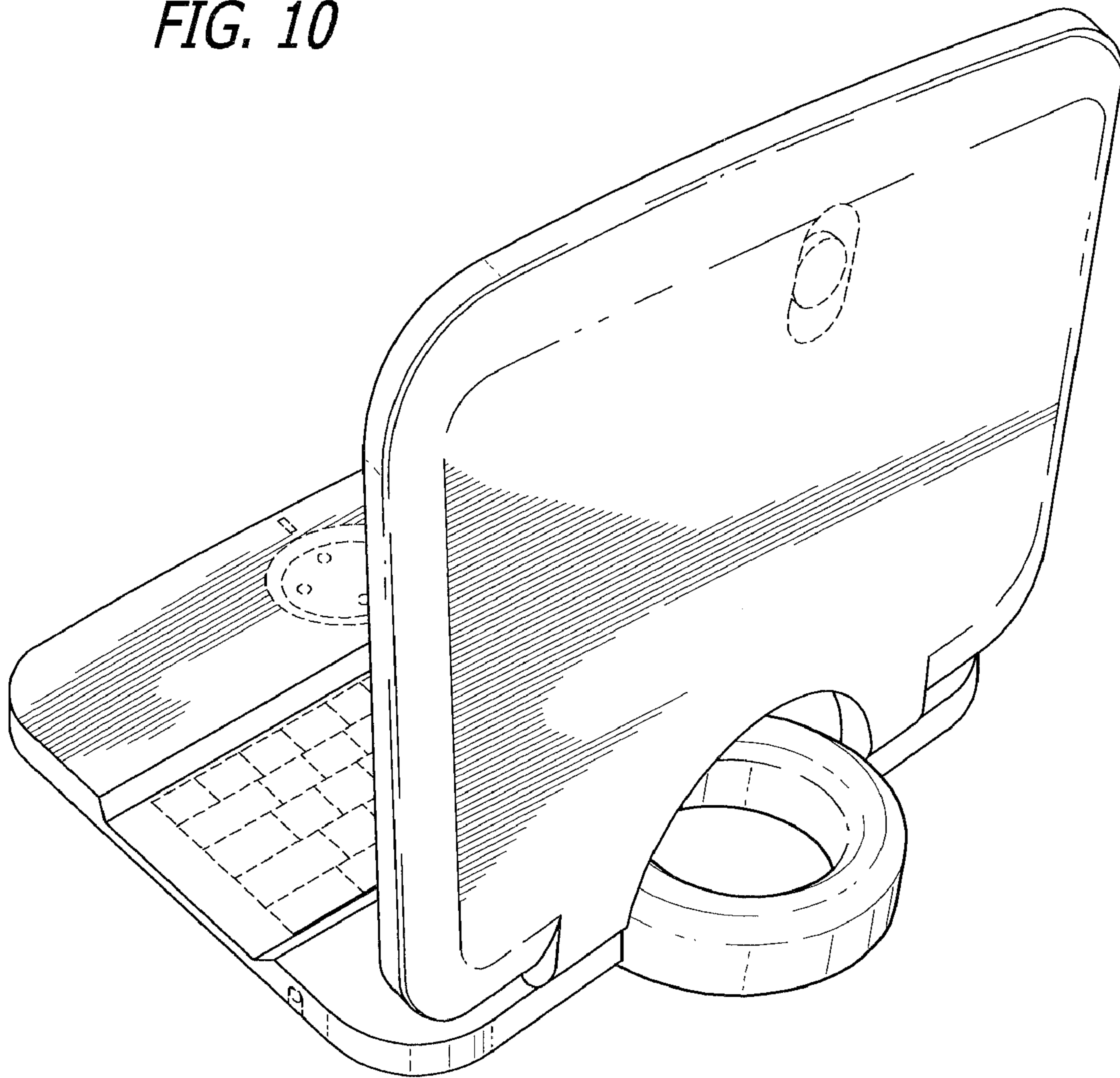


FIG. 11

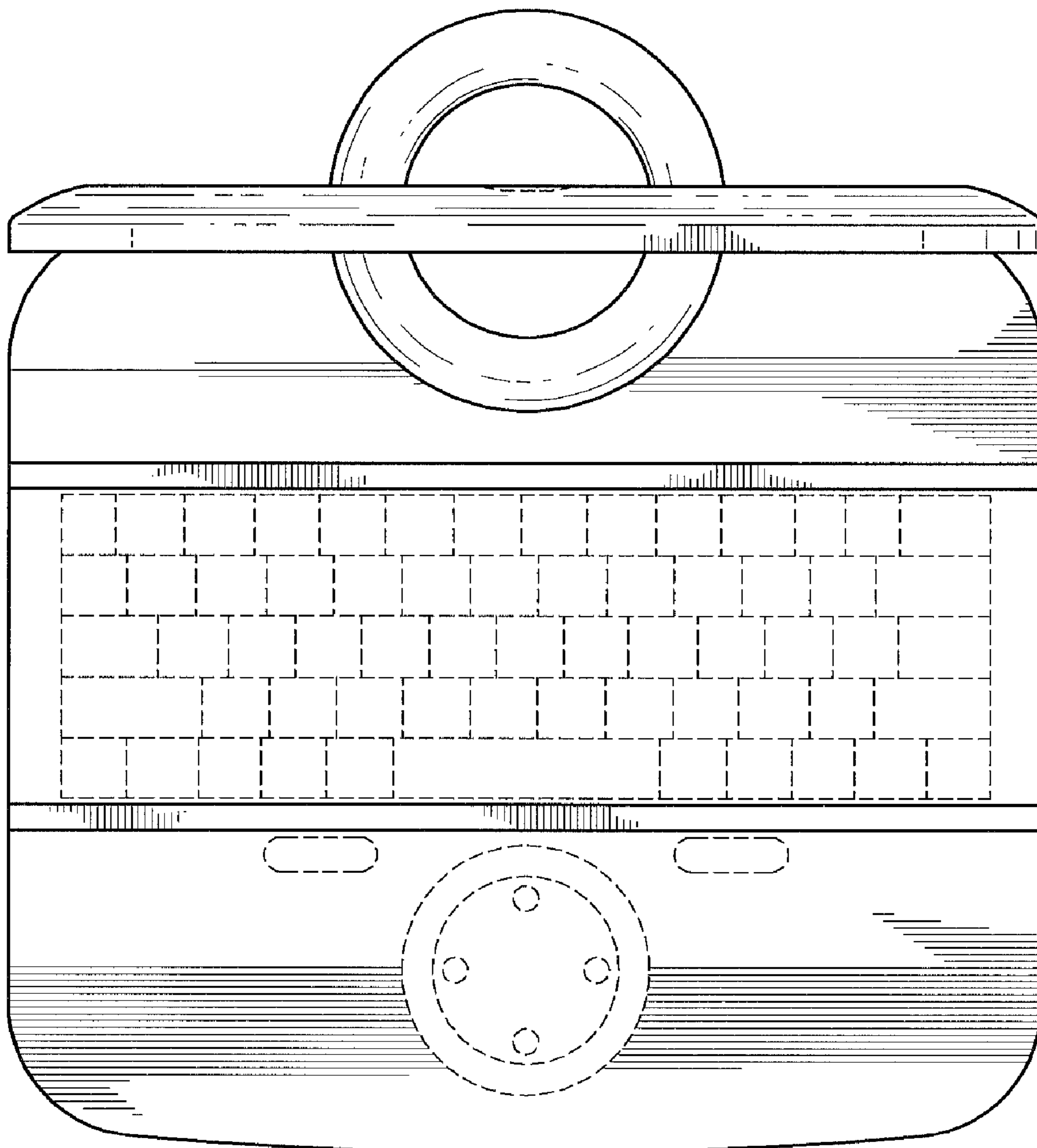


FIG. 12

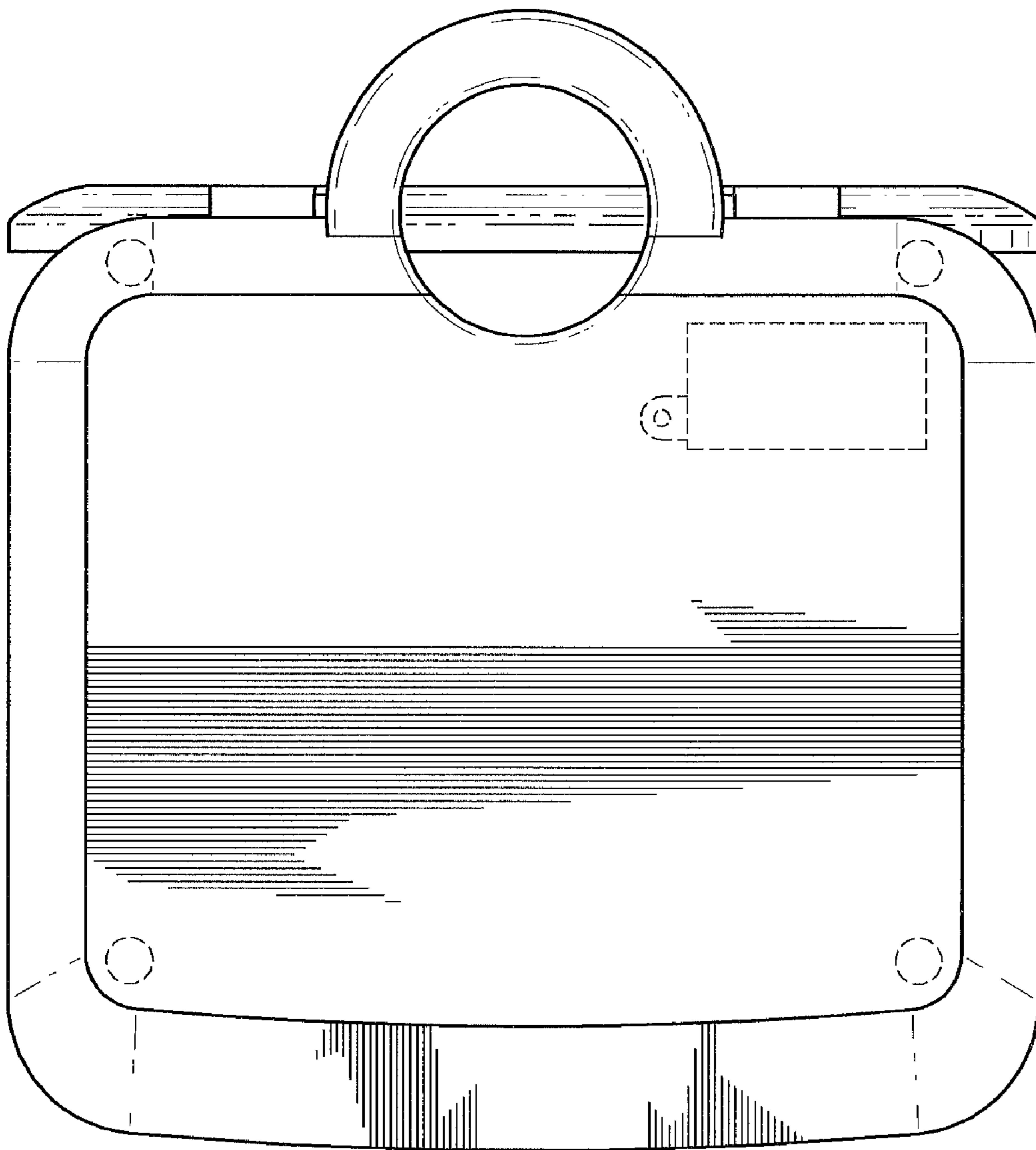


FIG. 13

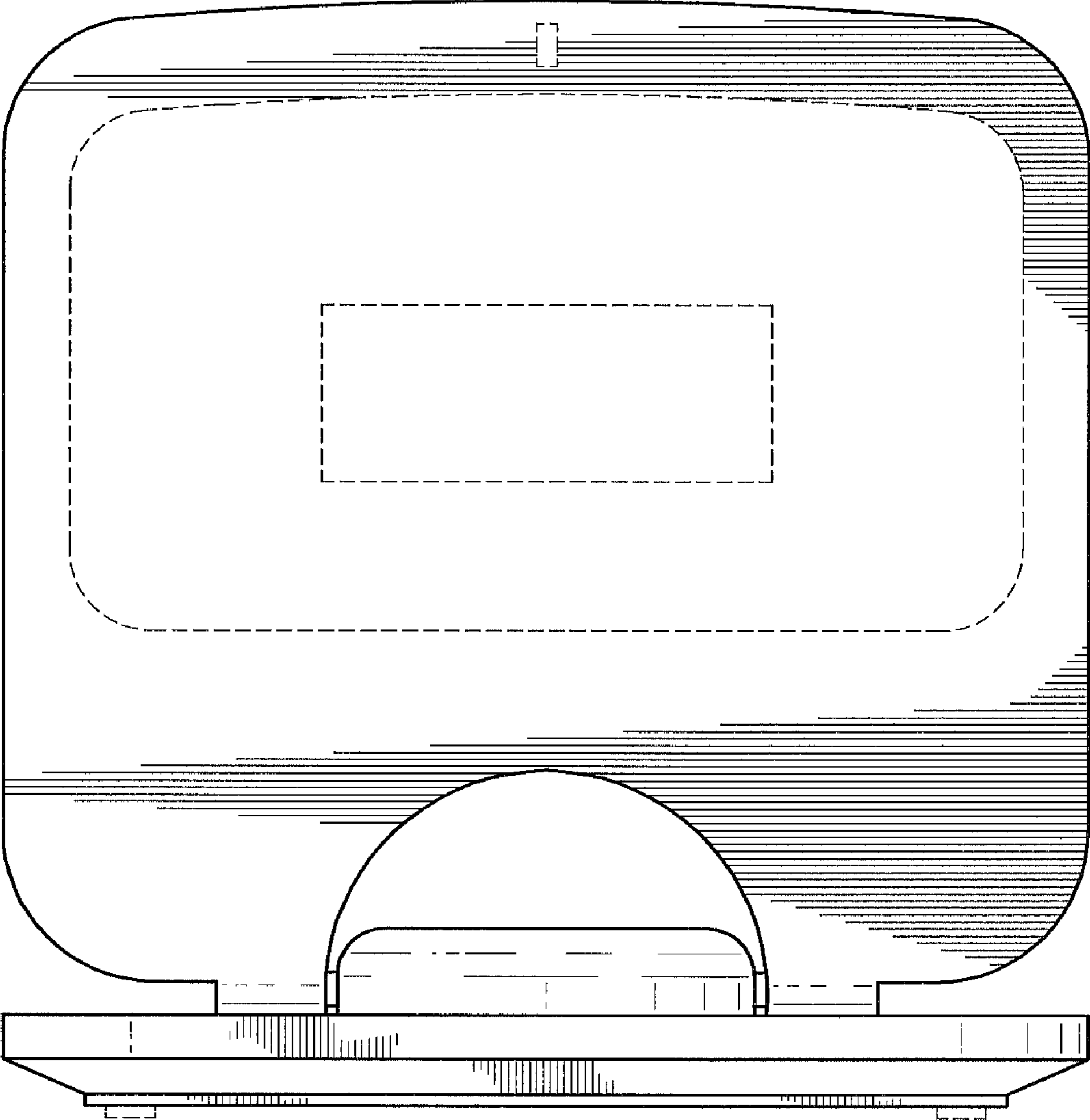


FIG. 14

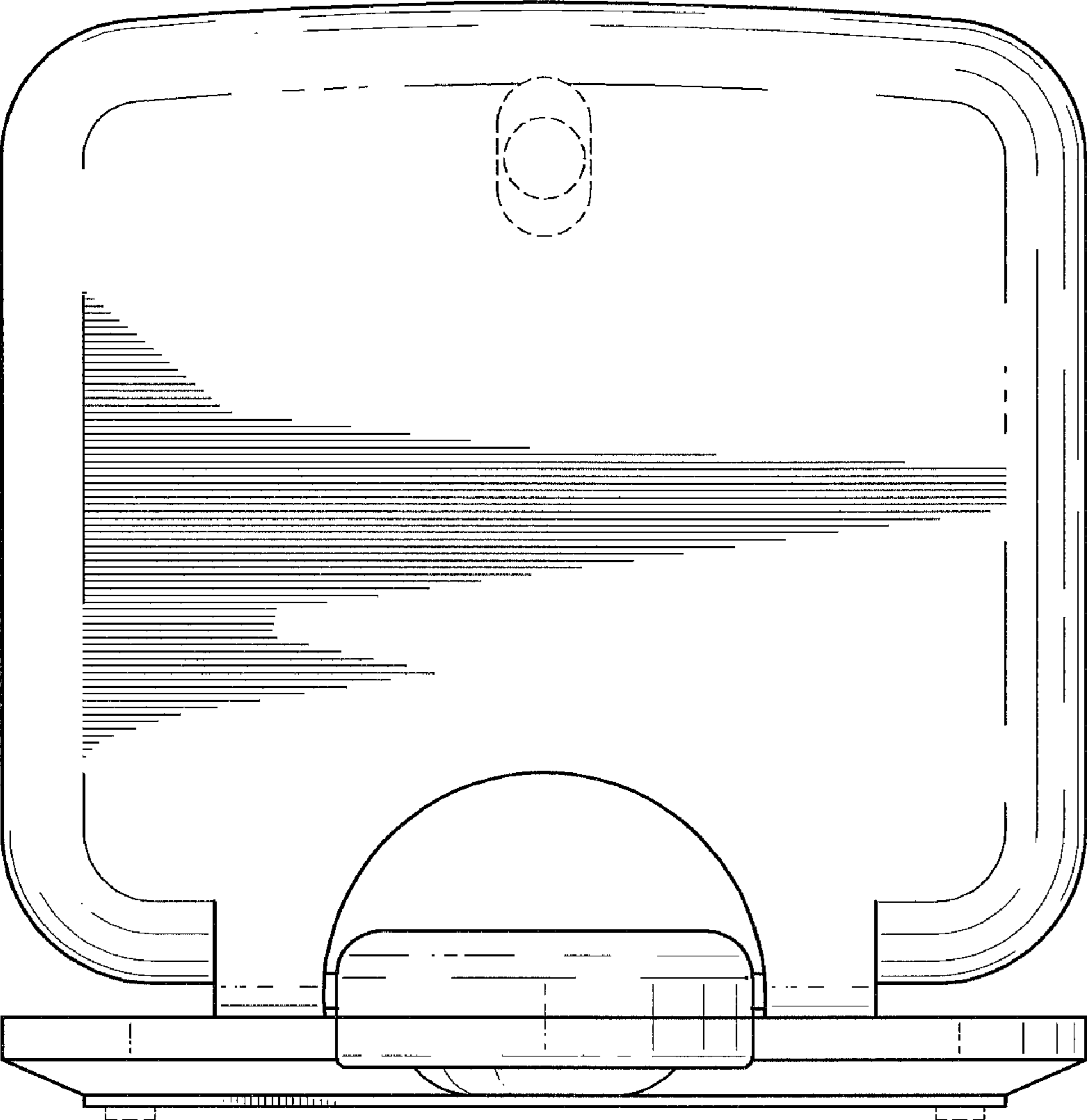


FIG. 15

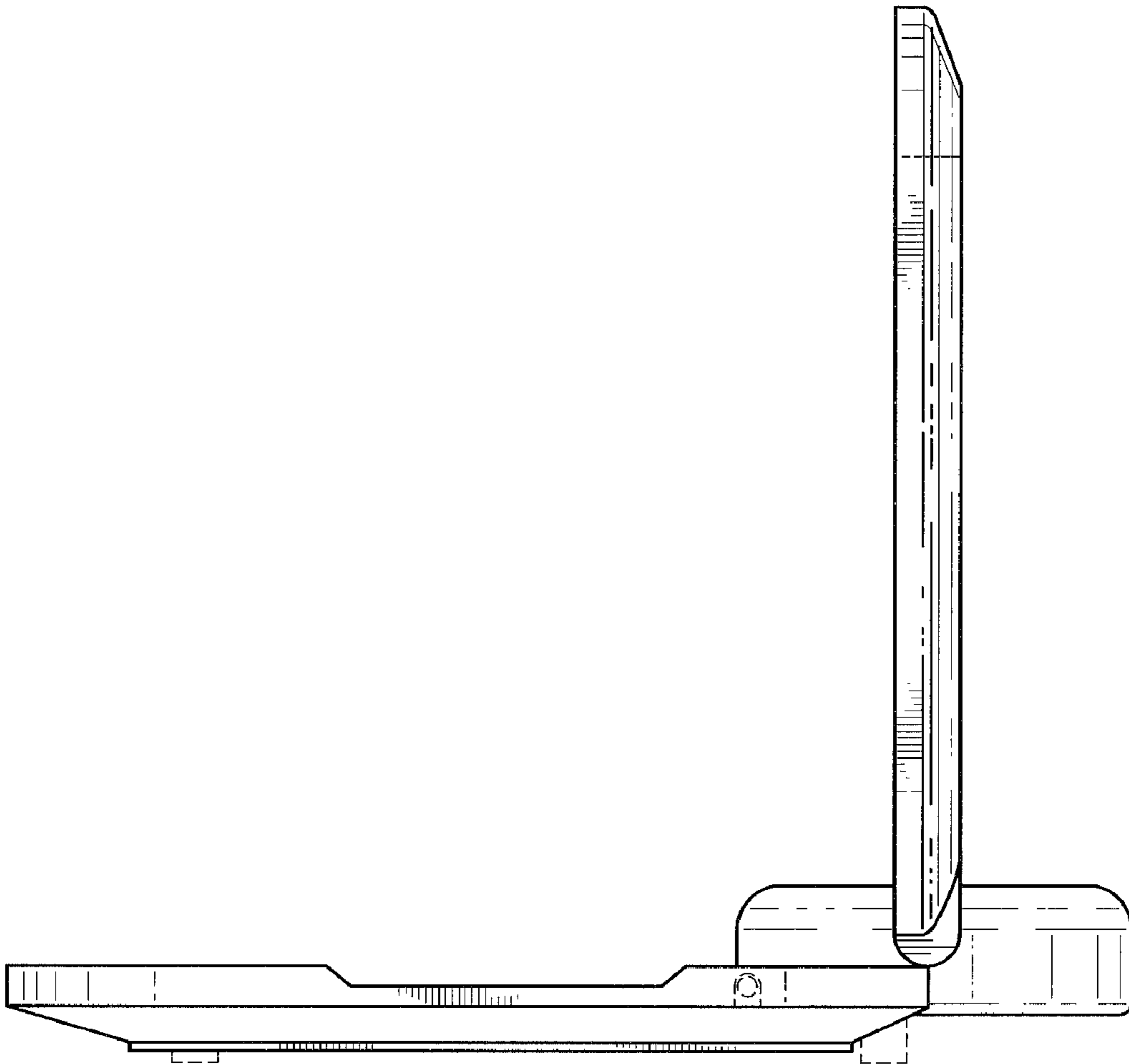


FIG. 16

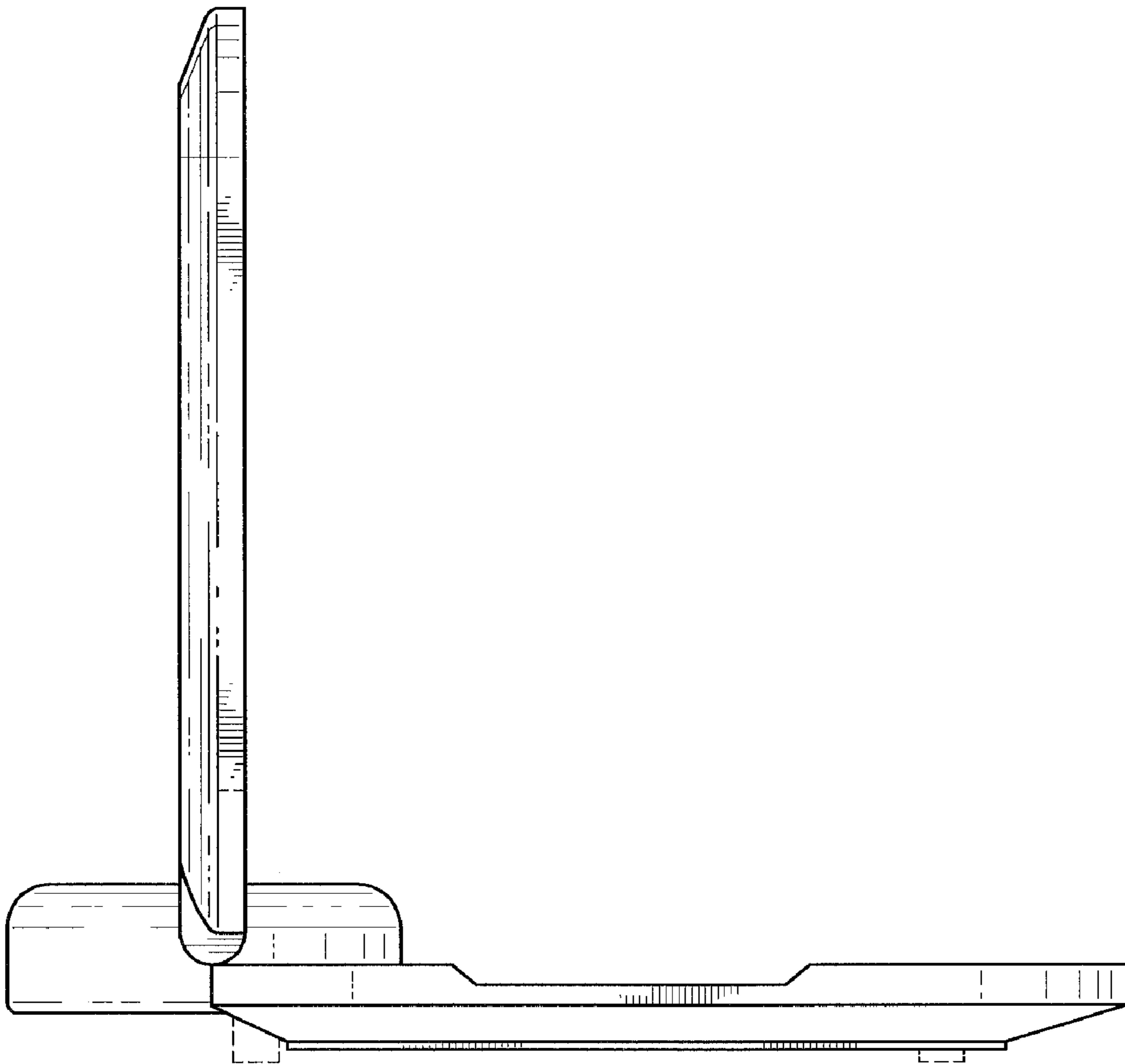


FIG. 17

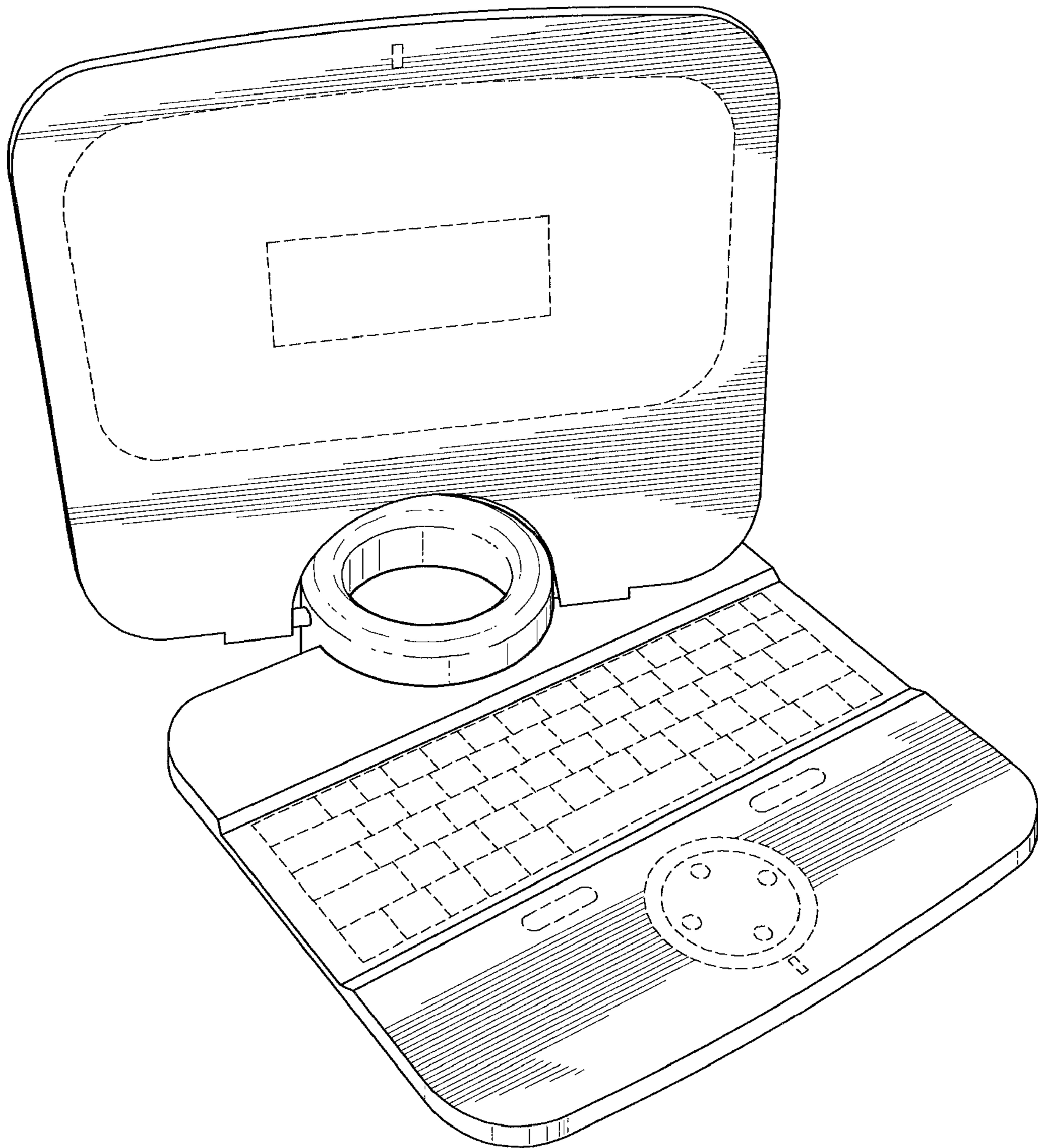


FIG. 18

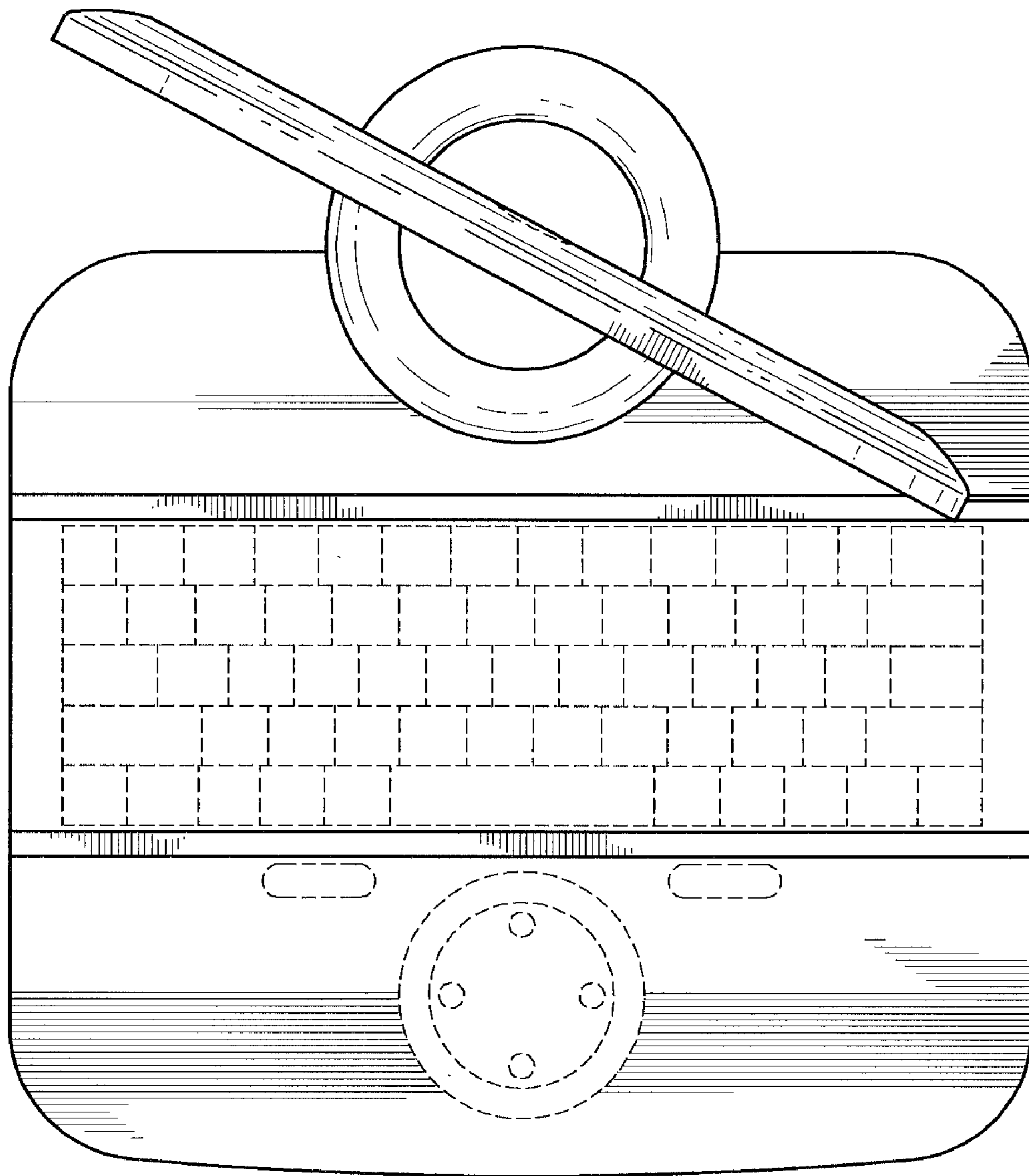


FIG. 19

