



US00D623181S

(12) **United States Design Patent**
Mattie

(10) **Patent No.:** **US D623,181 S**

(45) **Date of Patent:** **** Sep. 7, 2010**

(54) **COMPUTER ENCLOSURE**

(76) Inventor: **Mark Mattie**, 126 Shelsea Cir.,
Clementon, NJ (US) 08021

(**) Term: **14 Years**

(21) Appl. No.: **29/314,458**

(22) Filed: **Apr. 2, 2009**

(51) **LOC (9) Cl.** **14-02**

(52) **U.S. Cl.** **D14/300; D17/14; D14/400**

(58) **Field of Classification Search** D14/300-308;
D17/14, 15, 18, 20, 400; D21/398; 84/267,
84/722; 361/679.31, 679.32; 463/38

See application file for complete search history.

(56) **References Cited**

U.S. PATENT DOCUMENTS

7,208,664	B1 *	4/2007	Regenberg et al.	84/267
D576,165	S *	9/2008	Yow et al.	D14/400
7,435,178	B1 *	10/2008	Tam et al.	463/38
D589,512	S *	3/2009	Gray	D14/400
2007/0214931	A1 *	9/2007	Lyles	84/267
2007/0234885	A1 *	10/2007	Schmidt et al.	84/722
2008/0184864	A1 *	8/2008	Holt et al.	84/267

OTHER PUBLICATIONS

Chris Hammond, <http://www.mini-itx.com/projects/pomgolian/>,
Jun. 23, 2003.

Terence Lee, <http://www.hardwarezone.com.my/articles/view.php?cid=18&id=1016&pg=3>, Mar. 1, 2004.

Dean Liou, <http://www.techeblog.com/index.php/tech-gadget/feature-fully-functional-guitar-computer>, Oct. 16, 2007.

Ben Lewry, http://www.geekologie.com/2007/11/electric_guitar_laptop13_mod_is.php, Nov. 26, 2007.

Intel/Fender, http://www.fender.co.uk/news/index.php?display_article=86 (could not find date).

* cited by examiner

Primary Examiner—Freda S Nunn

(57) **CLAIM**

The ornamental design for a computer enclosure, as shown, and described.

DESCRIPTION

FIG. 1 is a perspective view of a computer enclosure showing my new design;

FIG. 2 is a front view thereof;

FIG. 3 is a back view thereof;

FIG. 4 is a left view thereof;

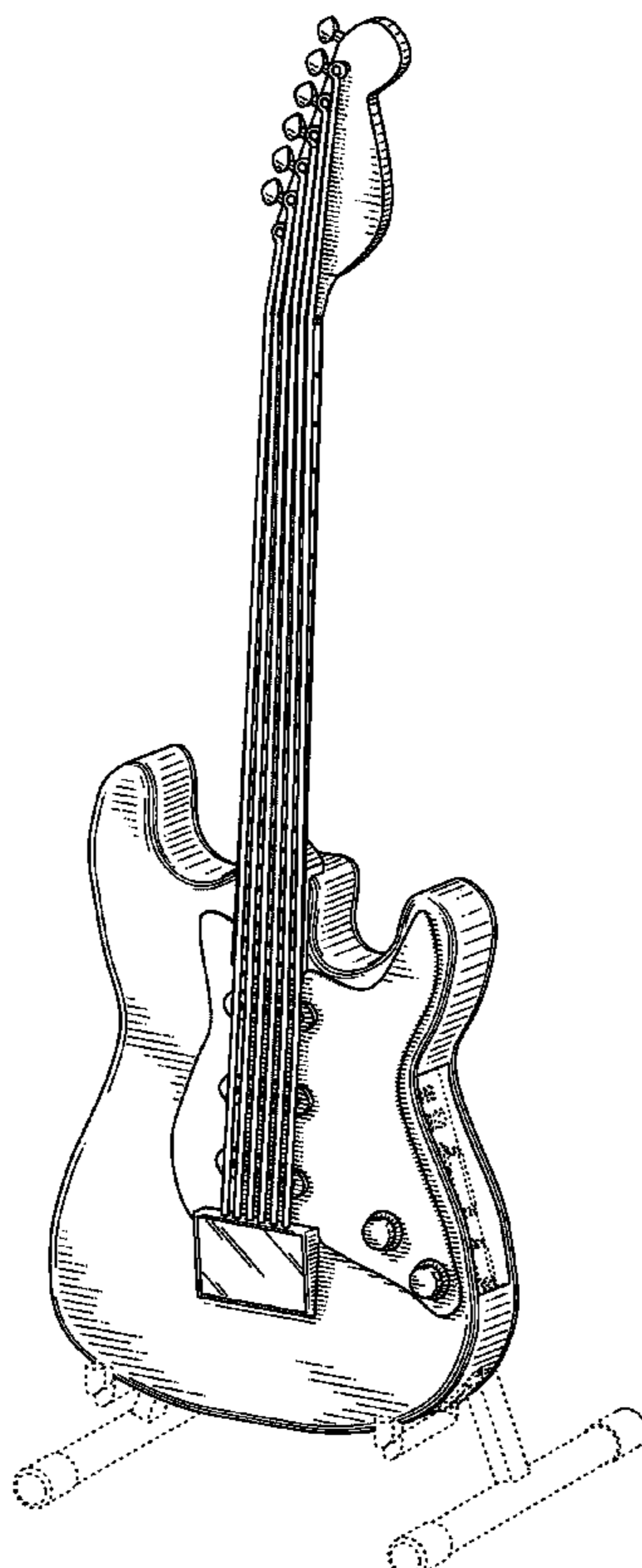
FIG. 5 is a right view thereof;

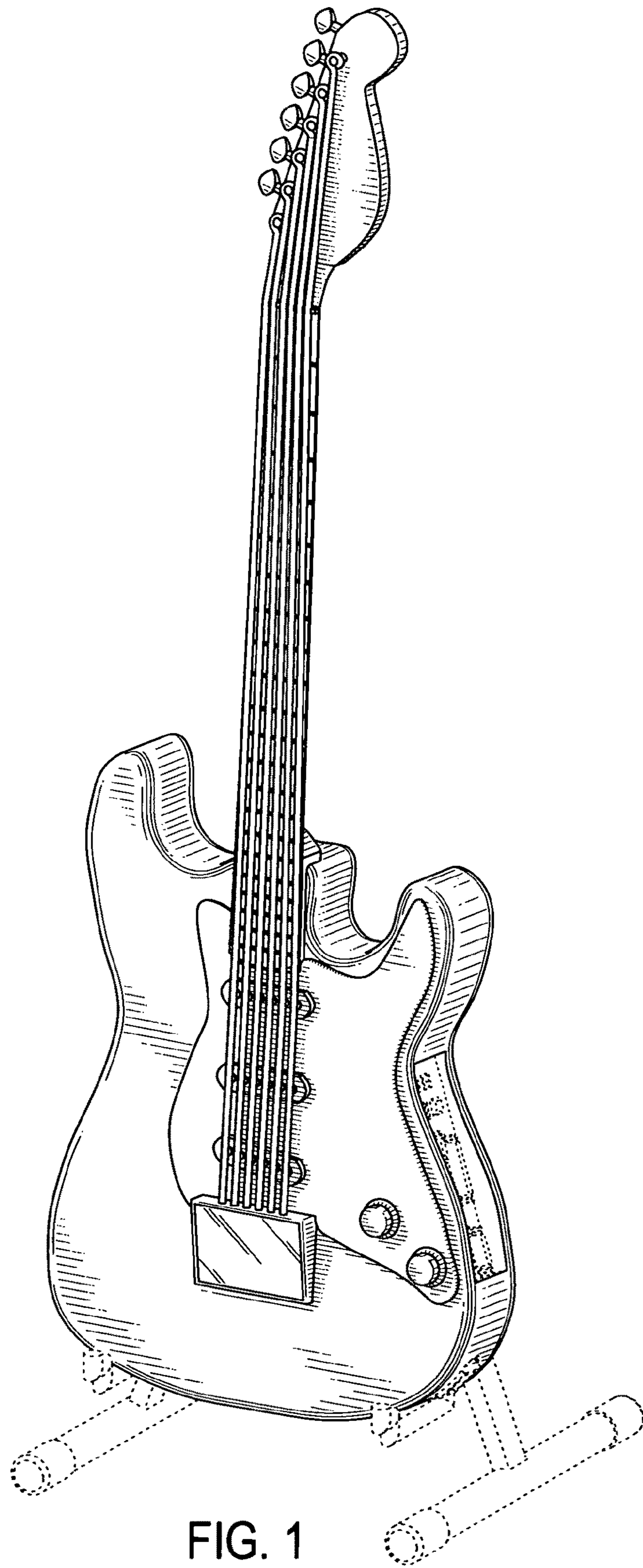
FIG. 6 is a top view thereof; and,

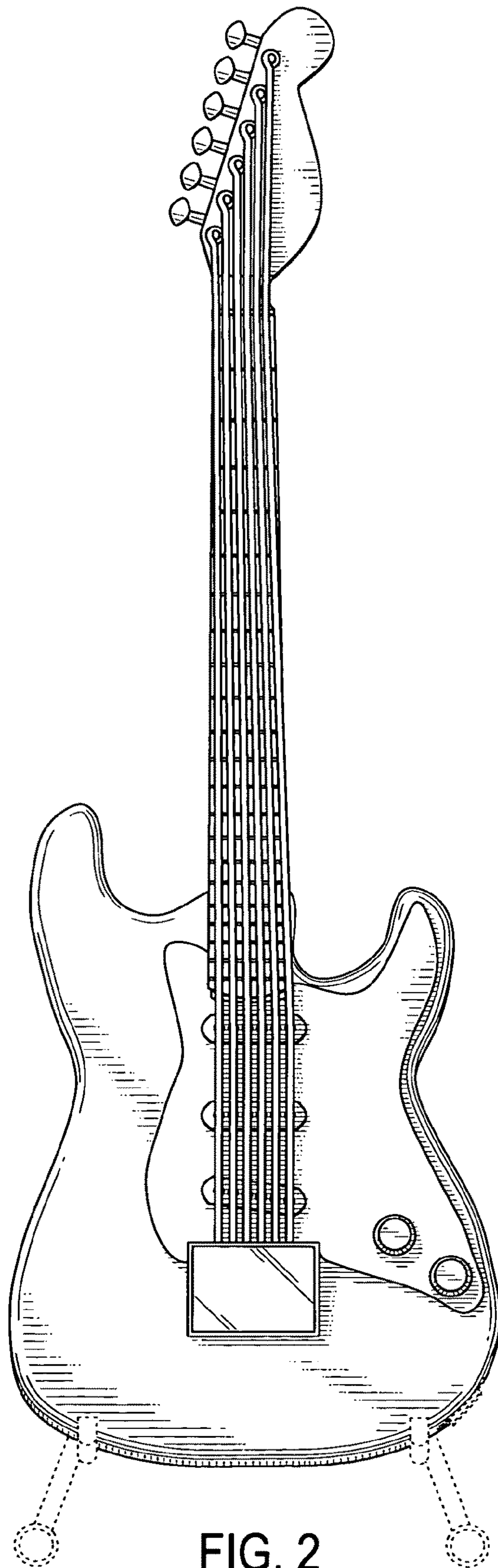
FIG. 7 is a bottom view thereof.

Broken lines shown in the drawings illustrate portions of the computer enclosure, and form no part of the claimed design.

1 Claim, 5 Drawing Sheets







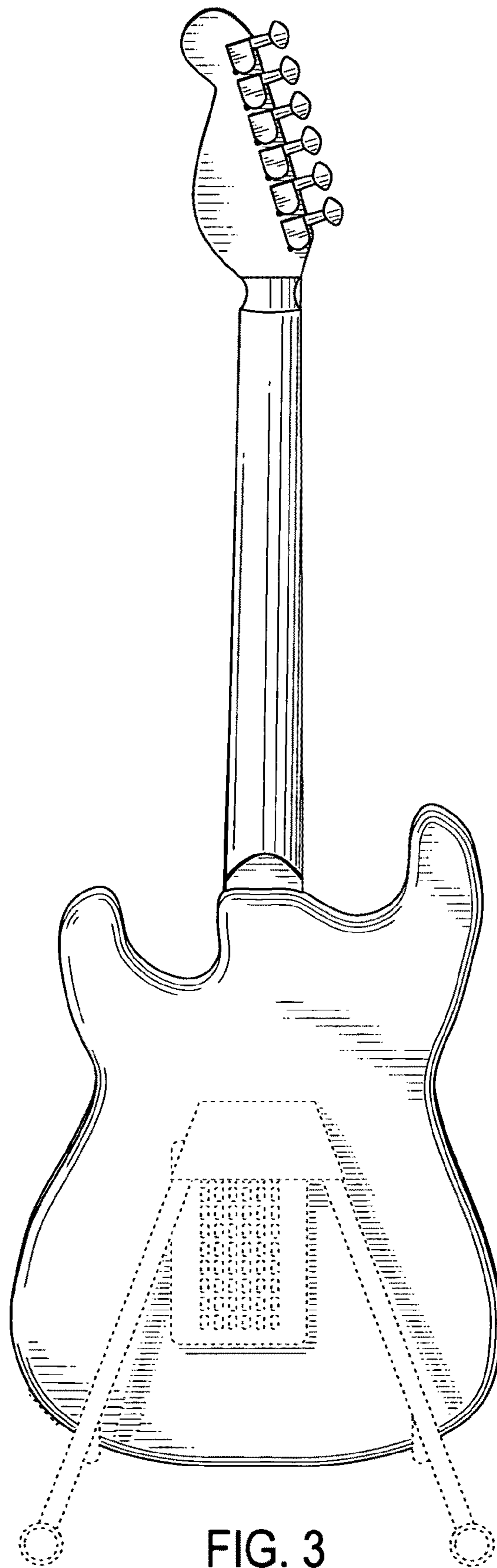


FIG. 3

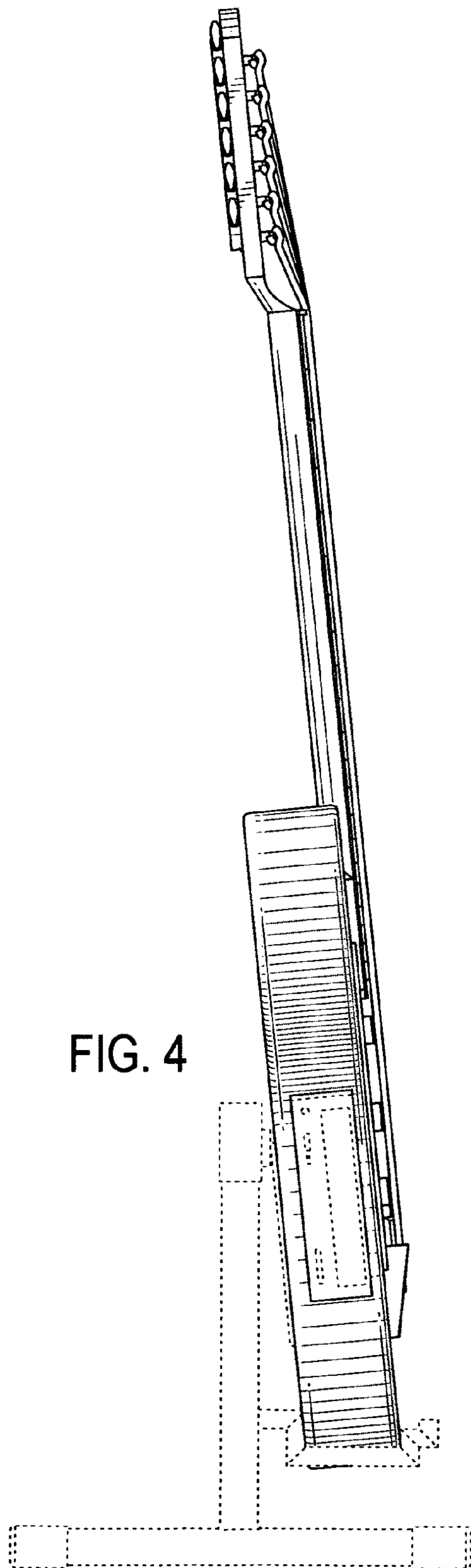


FIG. 4

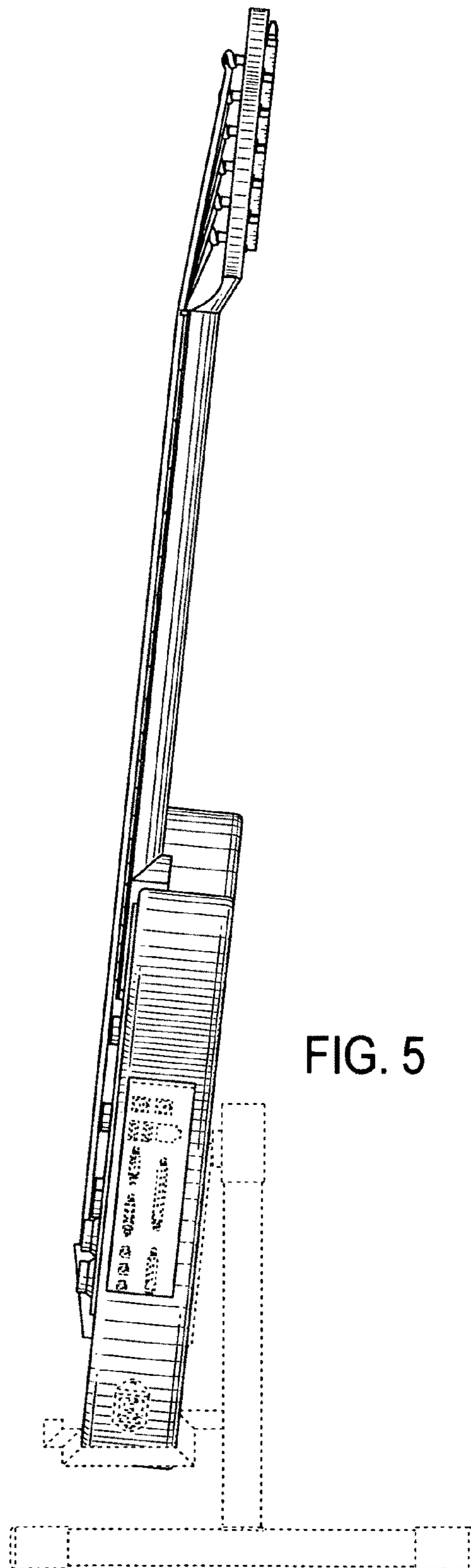


FIG. 5

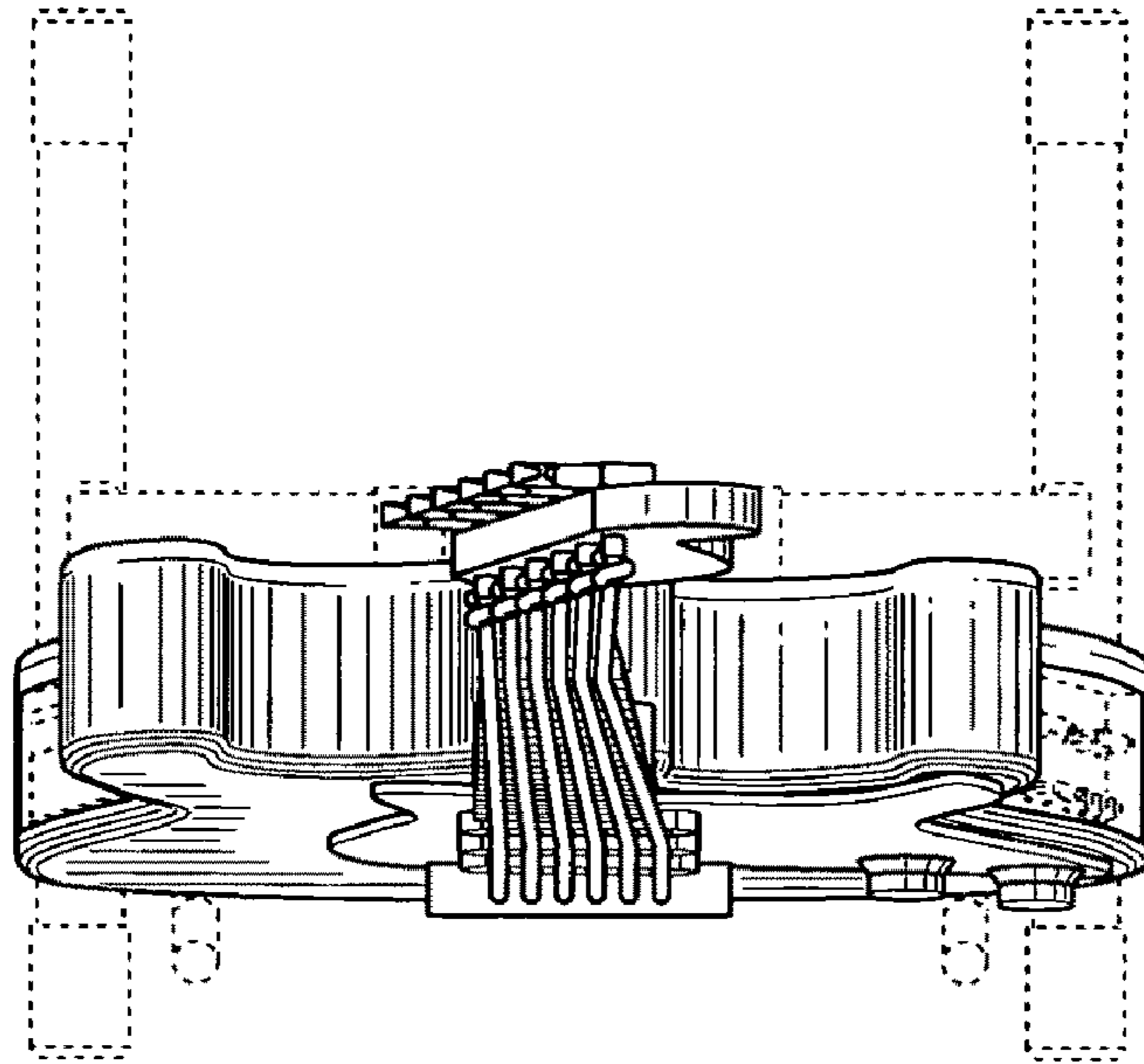


FIG. 6

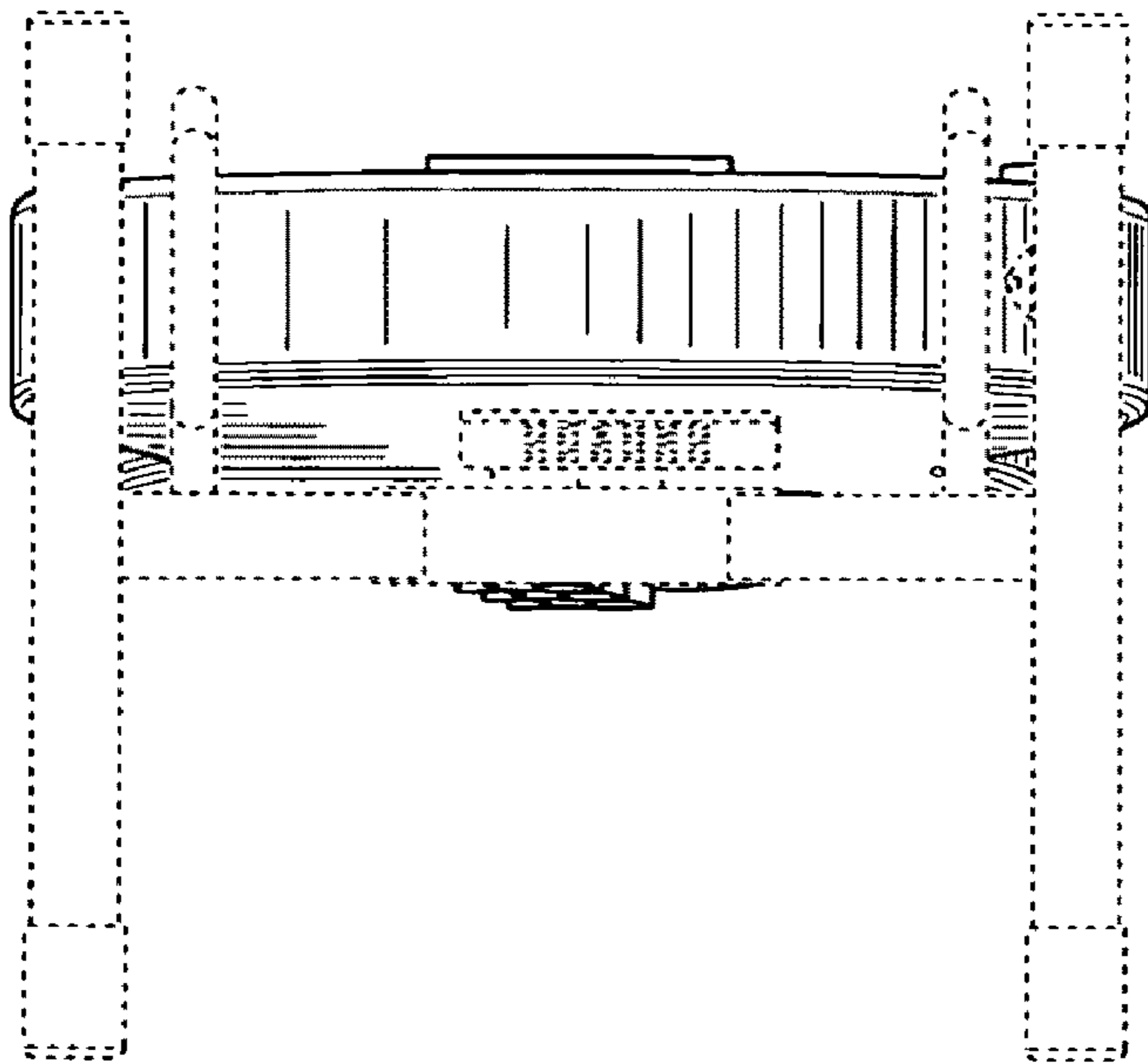


FIG. 7

UNITED STATES PATENT AND TRADEMARK OFFICE
CERTIFICATE OF CORRECTION

PATENT NO. : Des. 623,181 S
APPLICATION NO. : 29/314458
DATED : September 7, 2010
INVENTOR(S) : Mark Mattie

Page 1 of 1

It is certified that error appears in the above-identified patent and that said Letters Patent is hereby corrected as shown below:

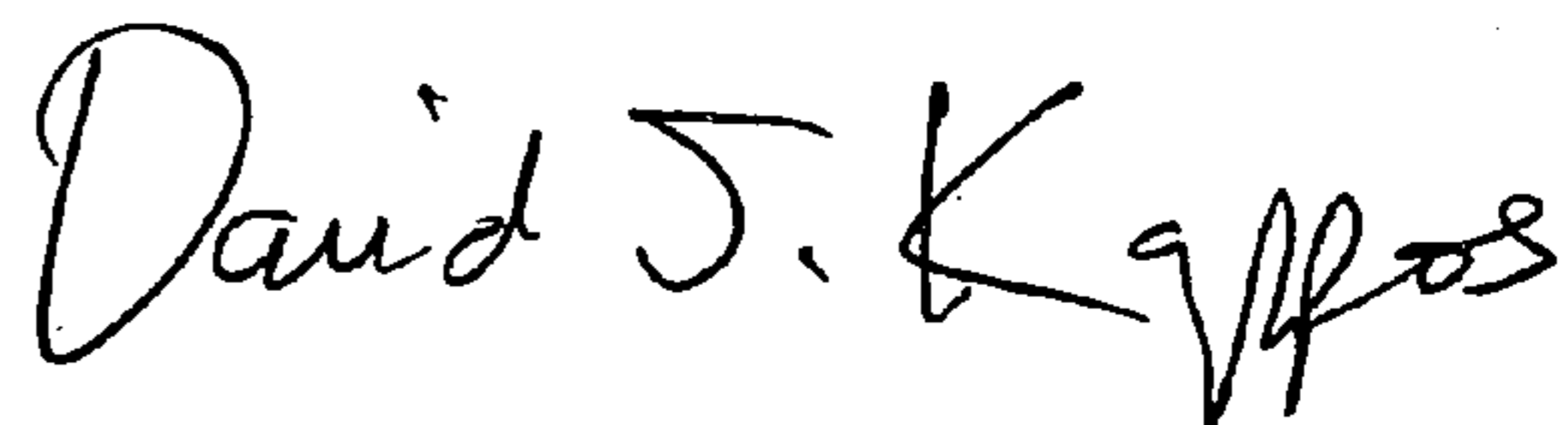
Title page, item (76); Typo in address. First letter in address should be a (C) and not a (S).

Incorrect
126 Shelsea Cir.
Clementon, NJ 08021

Correct
126 Chelsea Cir.
Clementon, NJ 08021

Signed and Sealed this

Fourteenth Day of December, 2010



David J. Kappos
Director of the United States Patent and Trademark Office