

US00D623178S

(12) **United States Design Patent**
Lu

(10) **Patent No.:** **US D623,178 S**
(45) **Date of Patent:** **** Sep. 7, 2010**

(54) **PCMCIA WIRELESS CARD**

(75) Inventor: **Chia-Chi Lu**, Taipei (TW)

(73) Assignee: **Accton Technology Corporation**,
Hsinchu (TW)

(**) Term: **14 Years**

(21) Appl. No.: **29/290,743**

(22) Filed: **Jan. 9, 2008**

(51) **LOC (9) Cl.** **14-01**

(52) **U.S. Cl.** **D14/242**

(58) **Field of Classification Search** D14/137,
D14/140-140.9, 155, 167, 188, 204, 205,
D14/207, 210, 215, 218, 230-237, 240, 242,
D14/302, 314, 132-134, 348-358, 363, 383,
D14/433, 435.1, 496; D13/149, 184, 137.1-139.8,
D13/110, 144; 711/100, 115; 361/685, 725,
361/752; 369/272.1, 273, 75.11; 360/133,
360/79.01, 97.03; 379/220.01, 221.09, 220.14,
379/25, 93.09, 93.19, 156, 900, 338-339,
379/441

See application file for complete search history.

(56) **References Cited**

U.S. PATENT DOCUMENTS

D355,412 S * 2/1995 Rak et al. D14/242
D371,770 S * 7/1996 Larson et al. D14/242
D431,035 S * 9/2000 Lehtomaki D14/242
D452,494 S * 12/2001 Sodling D14/242

D502,181 S * 2/2005 Hong et al. D14/436
D514,108 S * 1/2006 Bahar et al. D14/433
D564,521 S * 3/2008 Liu et al. D14/433
D571,809 S * 6/2008 Liu et al. D14/433
D576,626 S * 9/2008 On et al. D14/436
D580,442 S * 11/2008 Kim et al. D14/436
D581,420 S * 11/2008 Hsu D14/436

* cited by examiner

Primary Examiner—Ian Simmons

Assistant Examiner—Charles D Hanson

(74) *Attorney, Agent, or Firm*—Birch, Stewart, Kolasch &
Birch, LLP

(57) **CLAIM**

The ornamental design for a PCMCIA wireless card, as shown and described.

DESCRIPTION

FIG. 1 is a 3D view of a PCMCIA wireless card showing my new design;

FIG. 2 is a front view thereof;

FIG. 3 is a rear view thereof;

FIG. 4 is a left side view thereof;

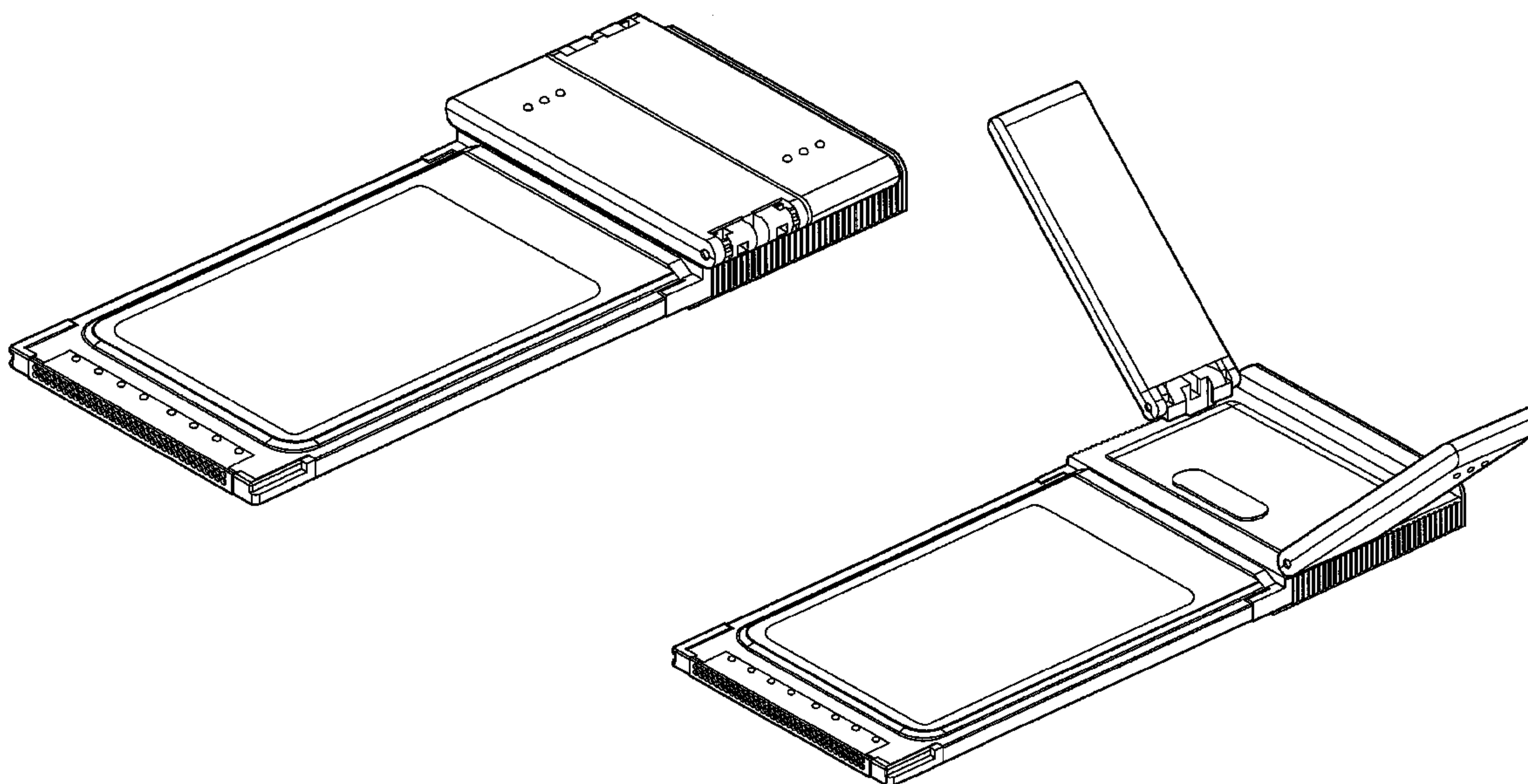
FIG. 5 is a right side view thereof;

FIG. 6 is a top view thereof;

FIG. 7 is a bottom view thereof; and,

FIG. 8 is a view after antenna of the PCMCIA wireless card being extended.

1 Claim, 6 Drawing Sheets



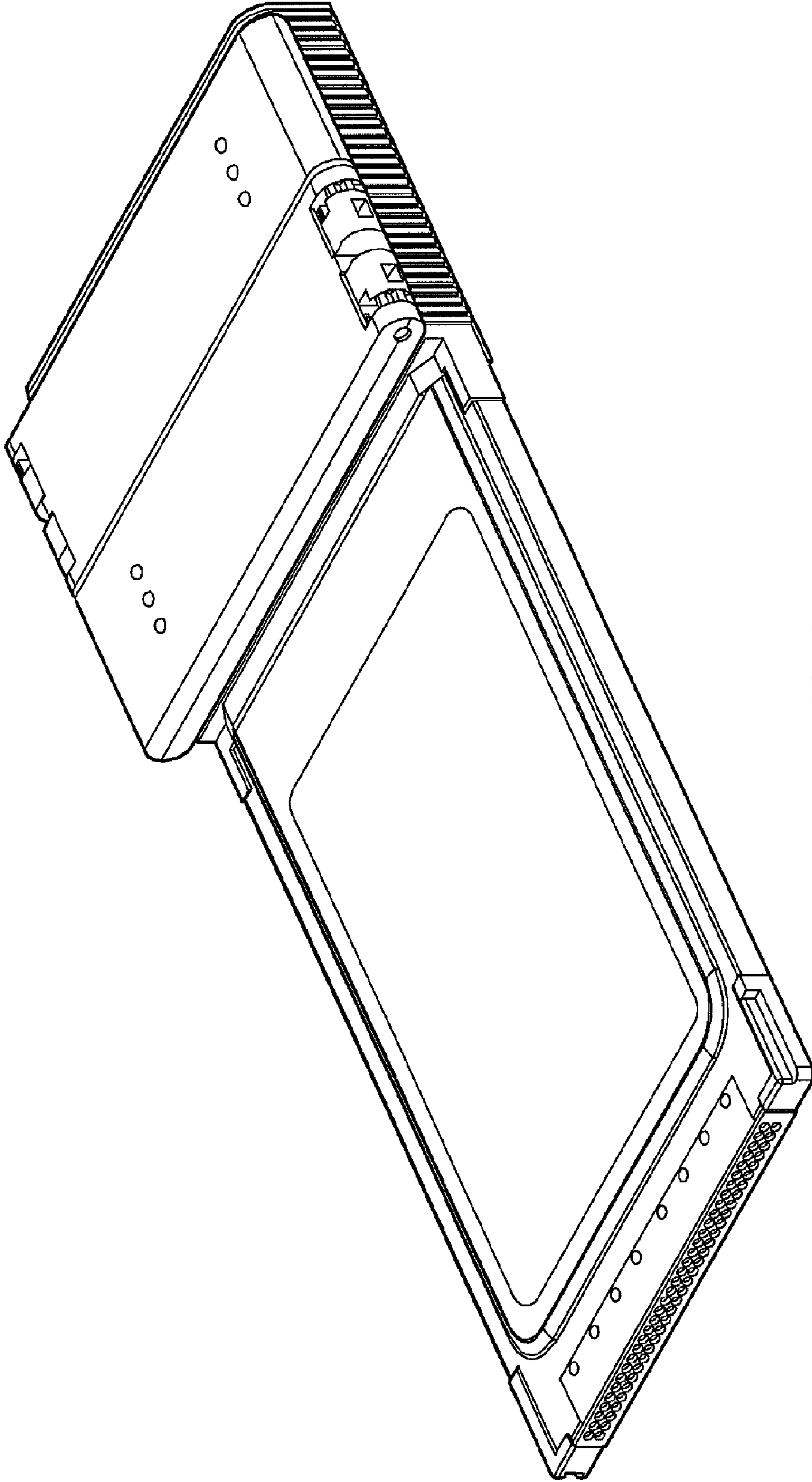


FIG. 1

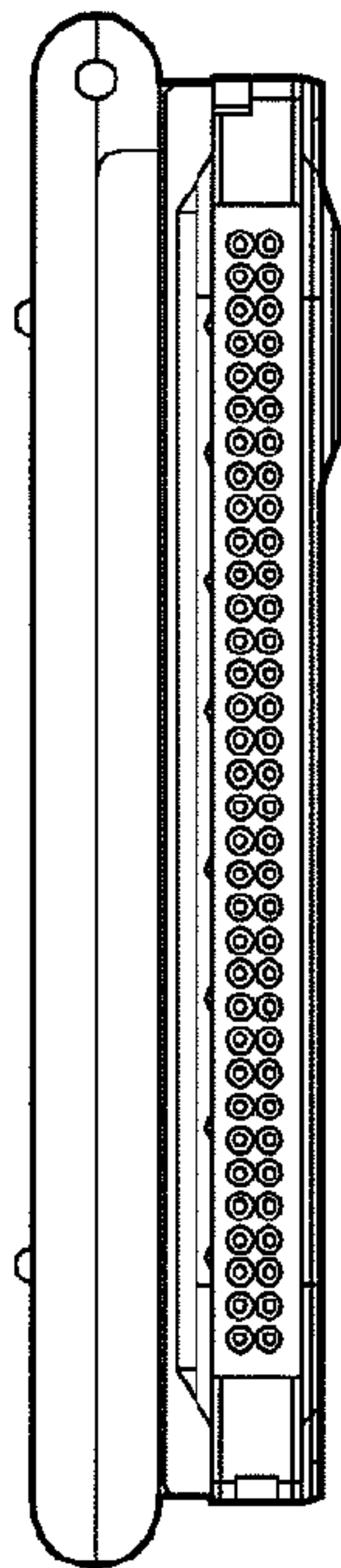


FIG. 2

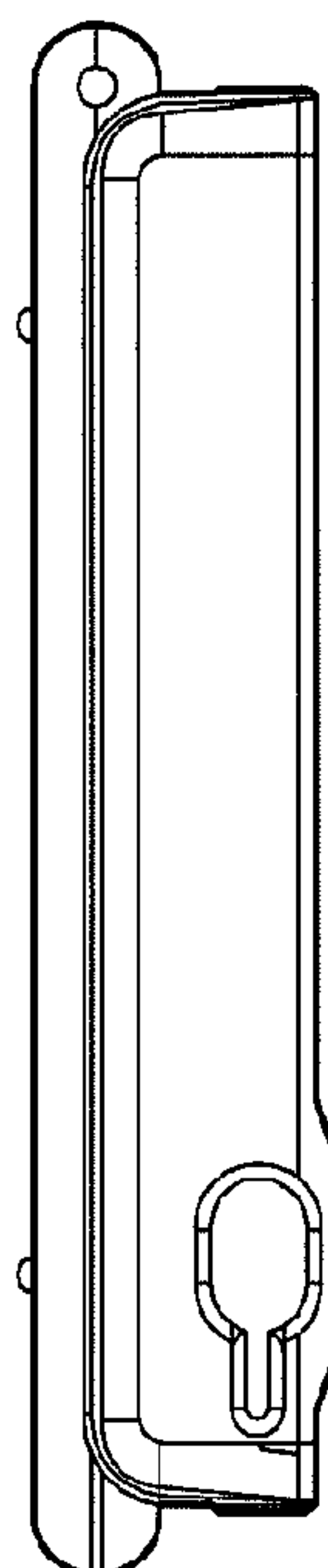


FIG. 3

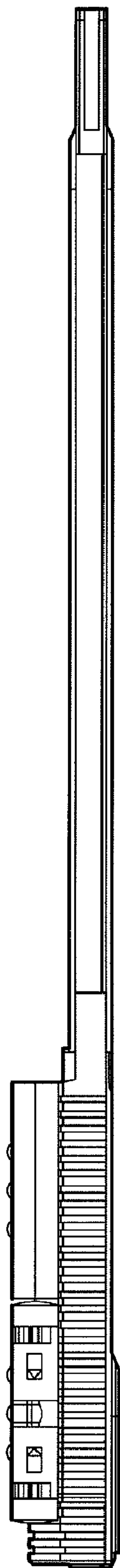


FIG. 4

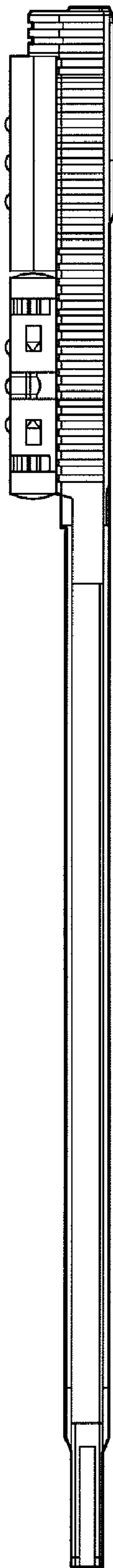


FIG. 5

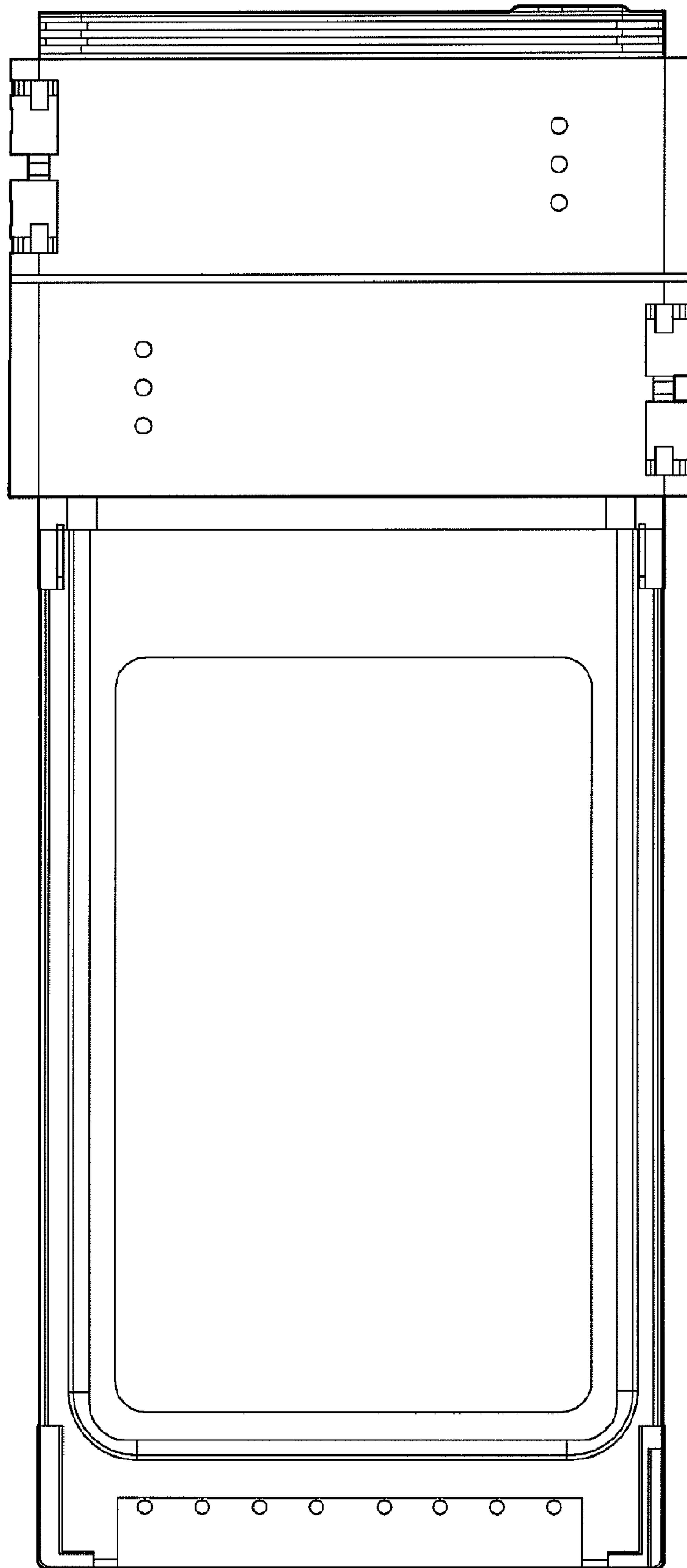


FIG. 6

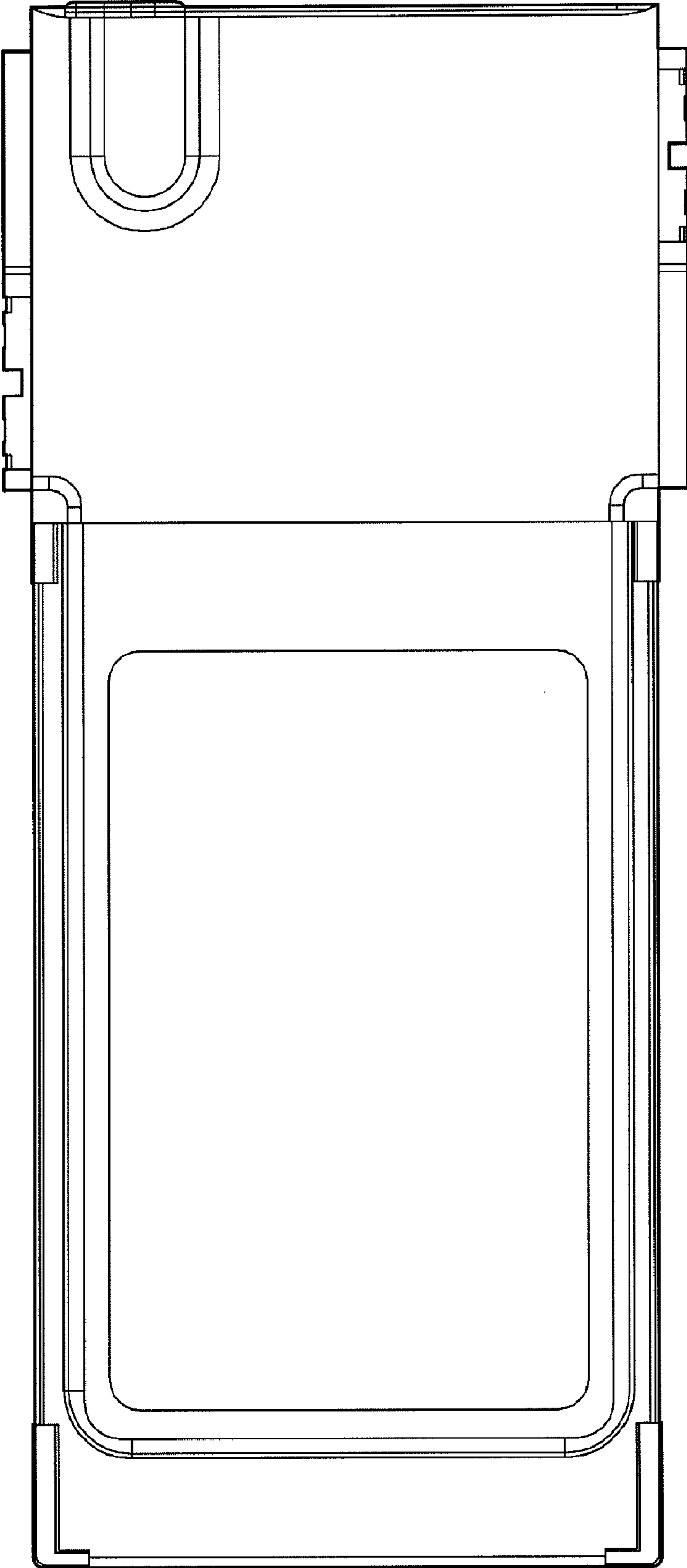


FIG. 7

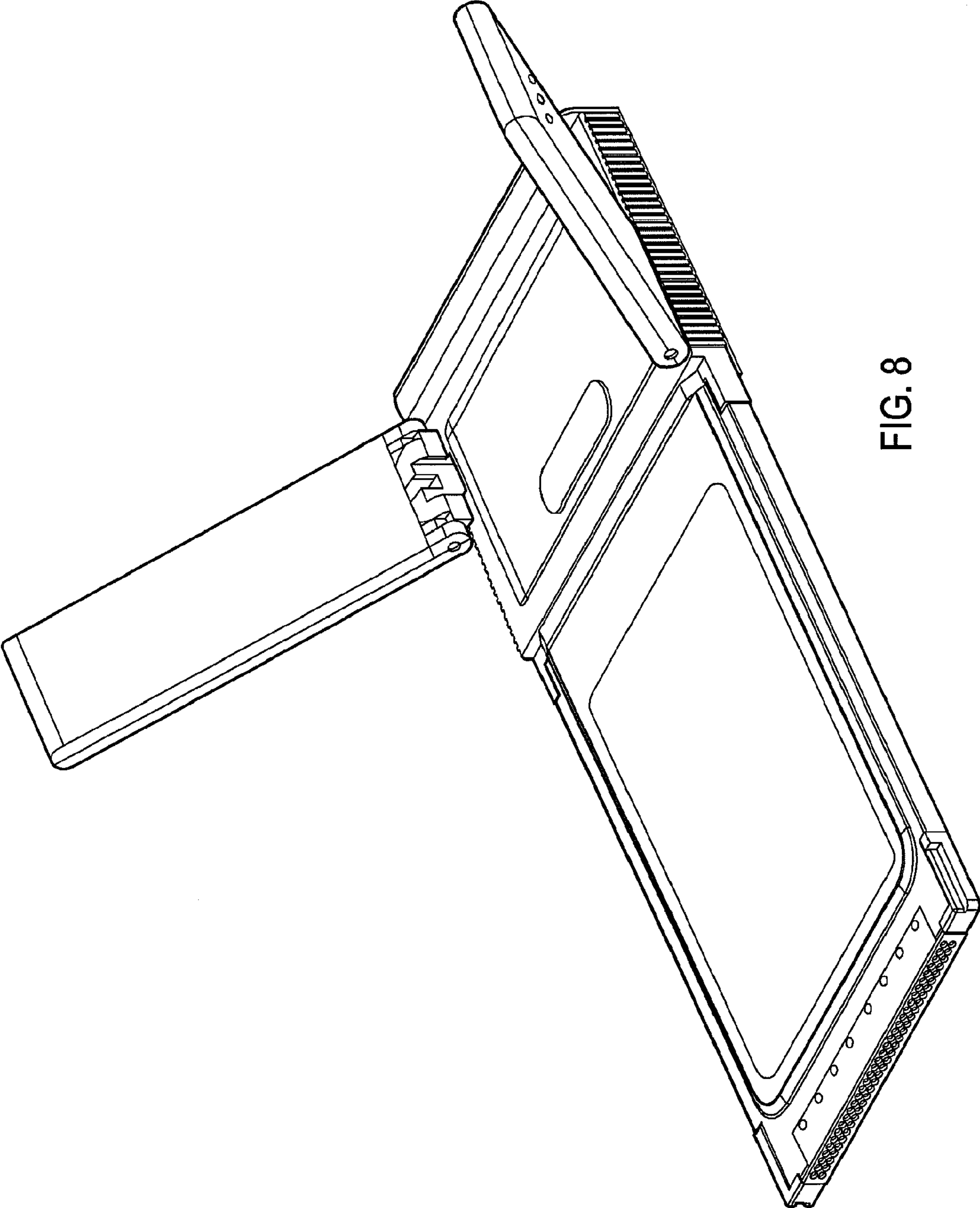


FIG. 8