

US00D623175S

(12) **United States Design Patent**  
**Suleiman et al.**

(10) **Patent No.:** **US D623,175 S**  
(45) **Date of Patent:** **\*\* Sep. 7, 2010**

(54) **COMPACT HIGH DEFINITION DIGITAL TELEVISION ANTENNA**

(75) Inventors: **Shady Hasan Suleiman**, Burlington, IA (US); **Gail Edwin McCollum**, Wapello, IA (US)

(73) Assignee: **Winegard Company**, Burlington, IA (US)

(\*\*) Term: **14 Years**

(21) Appl. No.: **29/355,711**

(22) Filed: **Feb. 12, 2010**

**Related U.S. Application Data**

(62) Division of application No. 29/345,815, filed on Oct. 22, 2009, now Pat. No. Des. 612,371.

(51) **LOC (9) Cl.** ..... **14-03**

(52) **U.S. Cl.** ..... **D14/230**

(58) **Field of Classification Search** ..... D14/138, D14/230-238, 299, 358; 343/700 MS, 700 R-705, 343/711-713, 741, 748, 767, 795, 819, 840, 343/846, 866, 871-908; 455/90.2, 90.3, 455/91, 128, 269, 344, 347, 562.1; D12/42, D12/43; 333/193, 195

See application file for complete search history.

(56) **References Cited**

**U.S. PATENT DOCUMENTS**

2,338,564 A	1/1944	Aram
2,615,005 A	10/1952	White
2,665,380 A	1/1954	Hickson et al.
2,666,138 A	1/1954	Ehrbar et al.
D171,560 S	2/1954	Rutter
D174,992 S	6/1955	Kumpis et al.
D175,733 S	10/1955	Kumpis et al.
RE25,604 E	6/1964	Greenberg
D202,709 S	11/1965	Larson
3,228,031 A	1/1966	Kitamura et al.
D209,147 S	11/1967	Johnson
3,369,245 A	2/1968	Rea
3,373,432 A	3/1968	Breneman

D211,179 S	5/1968	Rosenberry et al.
3,531,805 A	9/1970	Winegard at al.
3,665,478 A	5/1972	Dempsey
3,984,841 A	10/1976	Mikulich, Jr. et al.
4,149,169 A	4/1979	Weber
4,209,790 A	6/1980	Newcomb
4,219,821 A	8/1980	Selim
4,293,861 A	10/1981	Winegard et al.
D293,786 S	1/1988	Redaelli
D293,787 S	1/1988	Redaelli
4,766,441 A	8/1988	Phillips et al.
D305,766 S	1/1990	Tai
5,696,372 A *	12/1997	Grober et al. .... 250/216
5,969,687 A	10/1999	Podger

(Continued)

*Primary Examiner*—T. Chase Nelson  
*Assistant Examiner*—John Windmuller

(74) *Attorney, Agent, or Firm*—Dorr, Carson & Birney, P.C.

(57) **CLAIM**

The ornamental design for a compact high definition digital television antenna, as shown and described.

**DESCRIPTION**

Related applications are U.S. patent application Ser. No. 12/474,119 filed May 28, 2009 entitled Compact High Definition Digital Television Antenna and a U.S. Design patent application Ser. No. 29/345,812 filed Oct. 22, 2009 entitled Compact High Definition Television Antenna.

FIG. 1 is a perspective view of a compact high definition digital television antenna showing our new design.

FIG. 2 is a front elevation view thereof.

FIG. 3 is a right side elevation view thereof.

FIG. 4 is a left side elevation view thereof.

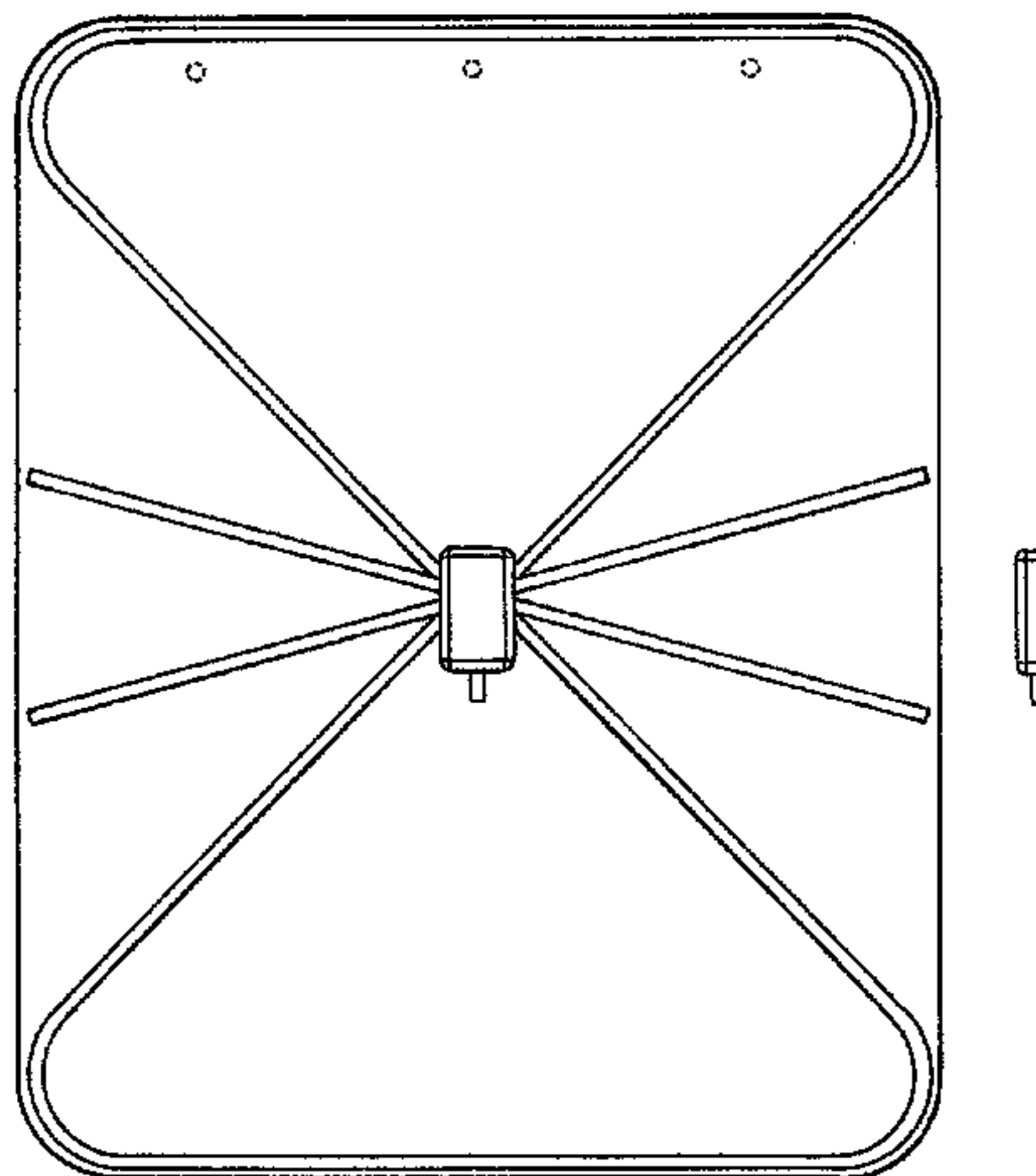
FIG. 5 is a top plan view thereof.

FIG. 6 is a bottom plan view thereof; and,

FIG. 7 is a rear elevation view thereof.

Mounting holes are shown in broken lines to depict environmental subject matter only and form no part of the claimed design.

**1 Claim, 3 Drawing Sheets**



# US D623,175 S

Page 2

---

U.S. PATENT DOCUMENTS									
5,986,609	A	11/1999	Spall	7,265,718	B2 *	9/2007	Tsai .....	343/700	MS
6,057,805	A	5/2000	Harrington	7,439,926	B2	10/2008	Mikami et al.		
6,154,182	A	11/2000	McLean	7,486,249	B2	2/2009	Fujita et al.		
6,323,821	B1	11/2001	McLean	7,498,993	B1	3/2009	Lee et al.		
6,466,178	B1	10/2002	Muterspaugh	D590,379	S	4/2009	Deguchi et al.		
6,839,038	B2	1/2005	Weinstein	D594,857	S	6/2009	Deguchi et al.		
D501,466	S	2/2005	Charlot, Jr.	D606,057	S *	12/2009	Oliver .....	D14/230	
D516,063	S	2/2006	Lai et al.	7,626,557	B2	12/2009	Eckwielen et al.		
7,050,013	B2	5/2006	Kim et al.	D612,370	S *	3/2010	Suleiman et al. ....	D14/234	
7,091,841	B2 *	8/2006	Adamson et al. ....	2002/0050954	A1	5/2002	Jeong-Kun et al.		
7,142,166	B2 *	11/2006	Martek .....	2003/0231138	A1	12/2003	Weinstein		
D547,754	S	7/2007	Oliver	2005/0040994	A1 *	2/2005	Mazoki et al. ....	343/809	

\* cited by examiner

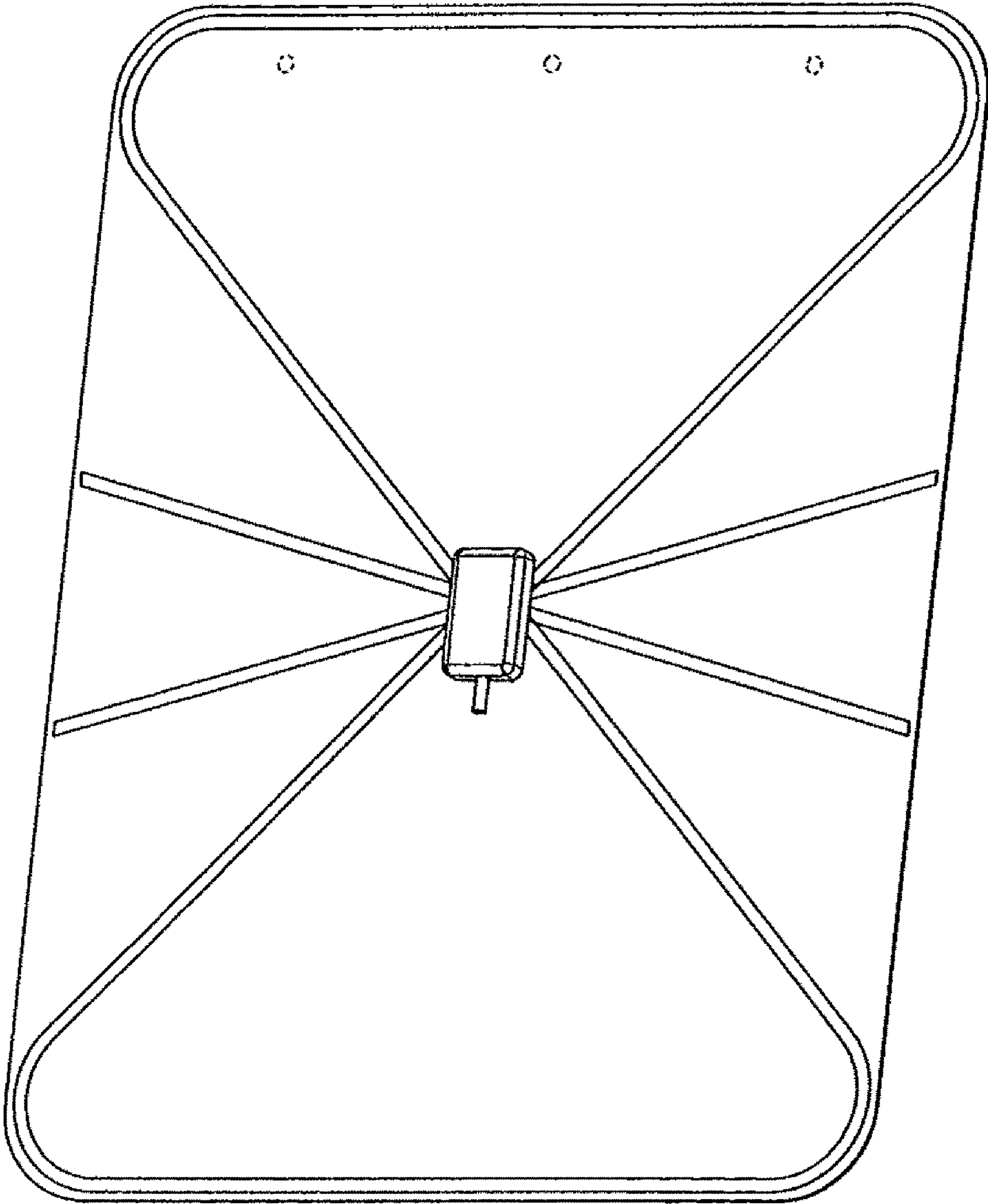


Fig. 1

Fig. 5

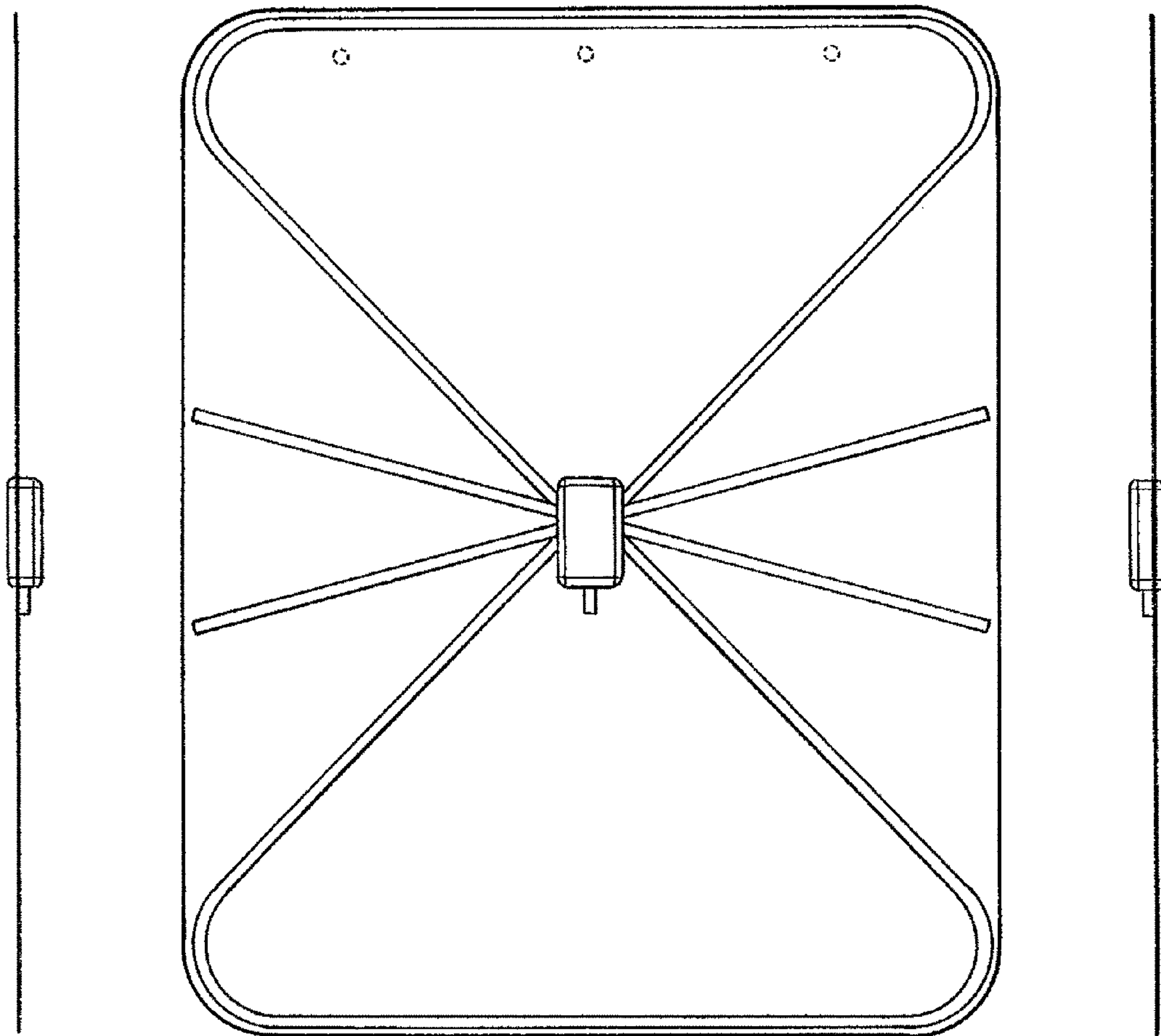
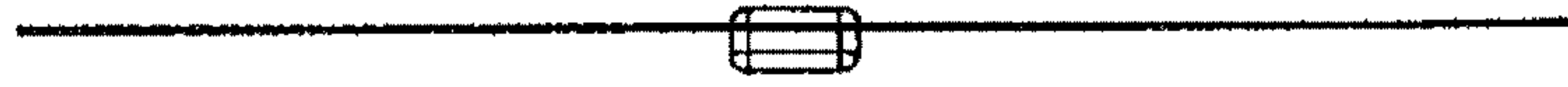


Fig. 4

Fig. 2

Fig. 3



Fig. 6

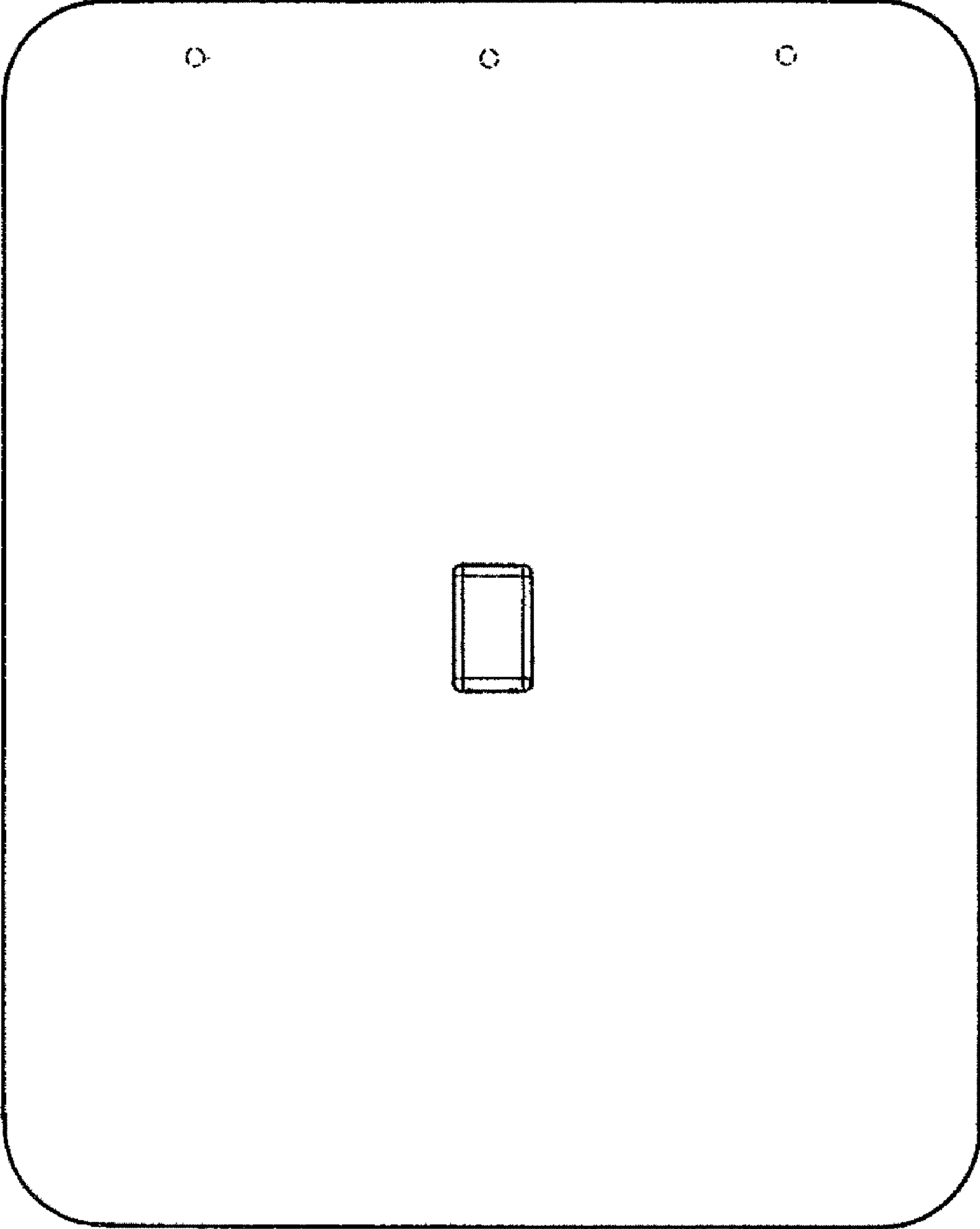


Fig. 7