



US00D623173S

(12) **United States Design Patent**
Ho

(10) **Patent No.:** **US D623,173 S**

(45) **Date of Patent:** **** Sep. 7, 2010**

(54) **HOUSING OF ANTENNA DEVICE**

(75) Inventor: **Meiyu Ho**, Taoyuan County (TW)

(73) Assignee: **Gemtek Technology Co., Ltd.**, Hsinchu (TW)

(**) Term: **14 Years**

(21) Appl. No.: **29/344,804**

(22) Filed: **Oct. 5, 2009**

(51) **LOC (9) Cl.** **14-03**

(52) **U.S. Cl.** **D14/230**

(58) **Field of Classification Search** D14/138,
D14/230-238, 299, 358, 240; D12/42, 43;
343/700 MS, 700 R-705, 711-713, 741,
343/748, 767, 795, 819, 840, 846, 866, 871-908;
455/90.2, 90.3, 91, 128, 269, 344, 347, 562.1
See application file for complete search history.

(56) **References Cited**

U.S. PATENT DOCUMENTS

D379,993 S *	6/1997	Devitt et al.	D14/240
D394,266 S *	5/1998	Hogenbirk	D14/240
D407,076 S *	3/1999	Renk	D14/301
D408,381 S *	4/1999	Nelson et al.	D14/368
D425,517 S *	5/2000	Wheatley et al.	D14/240
D434,374 S *	11/2000	Ko	D13/123
D464,958 S *	10/2002	Coker et al.	D14/240
D470,839 S *	2/2003	Tuhkanen	D14/240
6,535,178 B1 *	3/2003	Wang	343/882
D480,713 S *	10/2003	Wang	D14/235
D484,120 S *	12/2003	Yin et al.	D14/240
D491,169 S *	6/2004	Wang	D14/235
D497,318 S *	10/2004	Strand et al.	D10/104

D501,643 S *	2/2005	Strand et al.	D10/104
D532,784 S *	11/2006	Kutaragi et al.	D14/356
D540,314 S *	4/2007	Allen et al.	D14/230
D559,233 S *	1/2008	Tang	D14/230
D566,115 S *	4/2008	Swanson et al.	D14/358
D568,311 S *	5/2008	Kutaragi et al.	D14/356
D595,281 S *	6/2009	Chiba et al.	D14/240
D598,436 S *	8/2009	Tseng	D14/240
D600,682 S *	9/2009	Wai	D14/223

* cited by examiner

Primary Examiner—T. Chase Nelson

Assistant Examiner—John Windmuller

(74) *Attorney, Agent, or Firm*—Rosenberg, Klein & Lee

(57) **CLAIM**

The ornamental design for a housing of antenna device, as shown and described.

DESCRIPTION

FIG. 1 is a perspective view of a housing of antenna device showing our new design;

FIG. 2 is a front elevational view thereof;

FIG. 3 is a rear elevational view thereof;

FIG. 4 is a left side elevational view thereof;

FIG. 5 is a right side elevational view thereof;

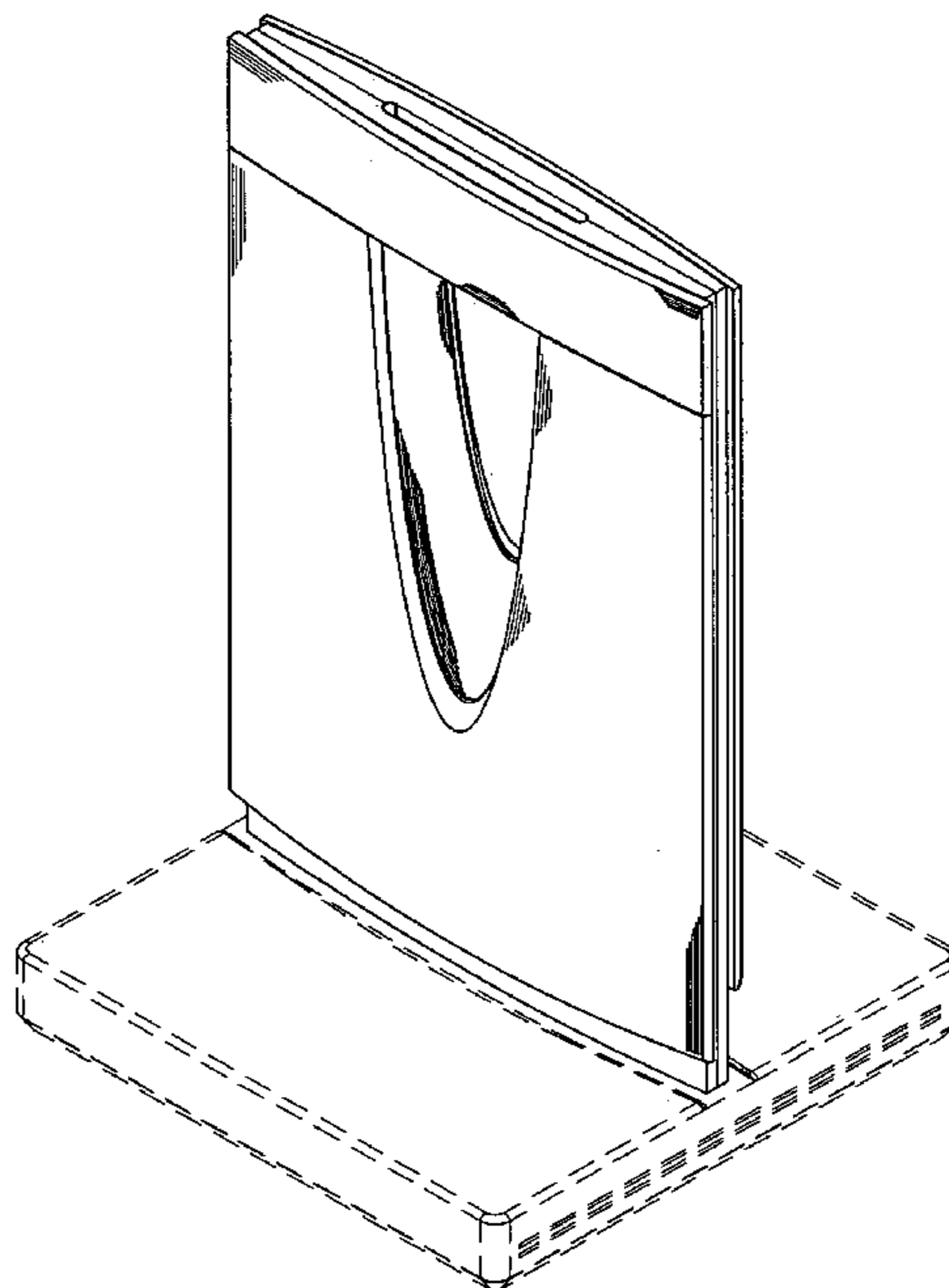
FIG. 6 is a bottom side elevational view thereof;

FIG. 7 is a top side elevational view thereof; and,

FIG. 8 is another perspective view of a housing of antenna device of the invention.

The broken lines in the Figures are for illustrative purposes only and form no part of the claimed design.

1 Claim, 7 Drawing Sheets



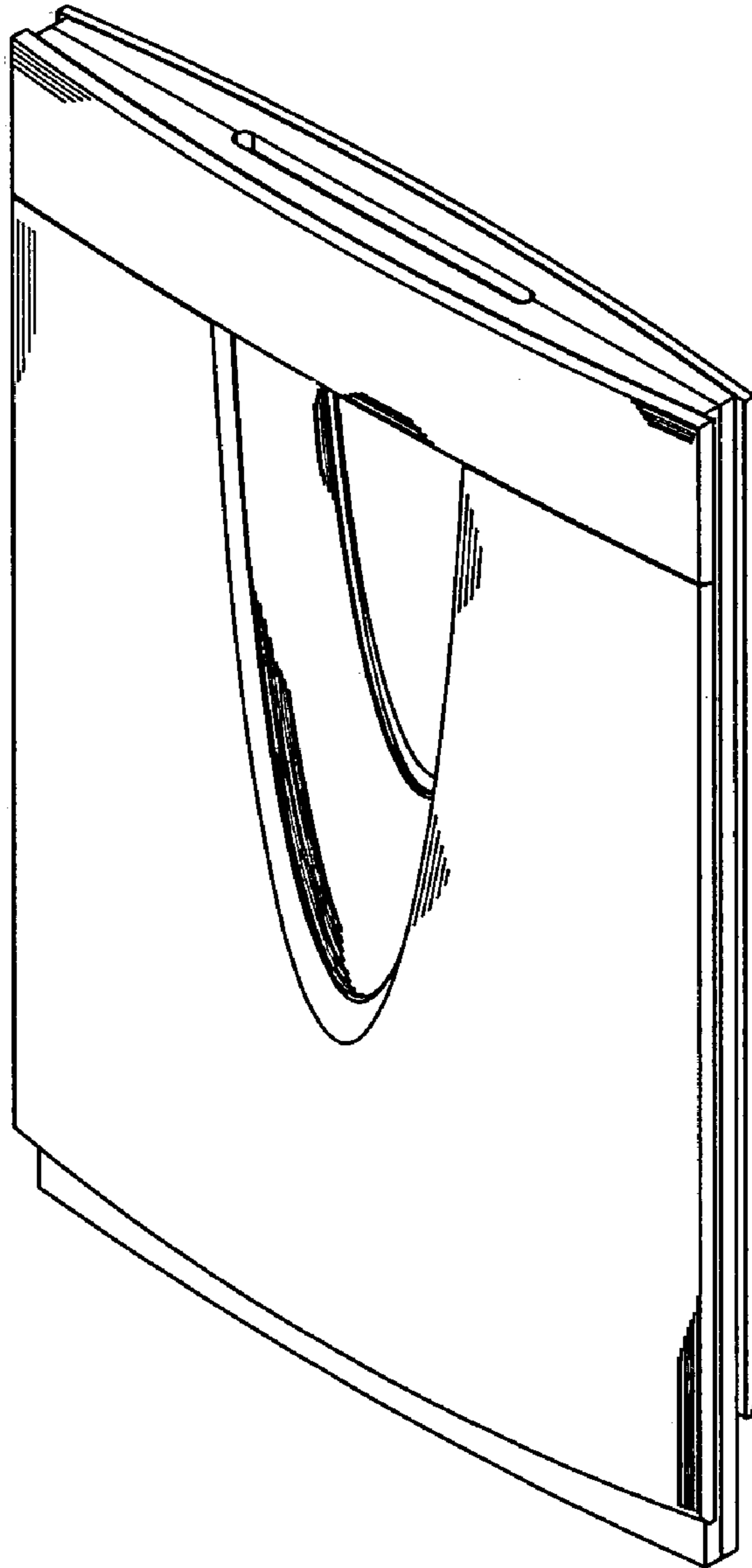


FIG. 1

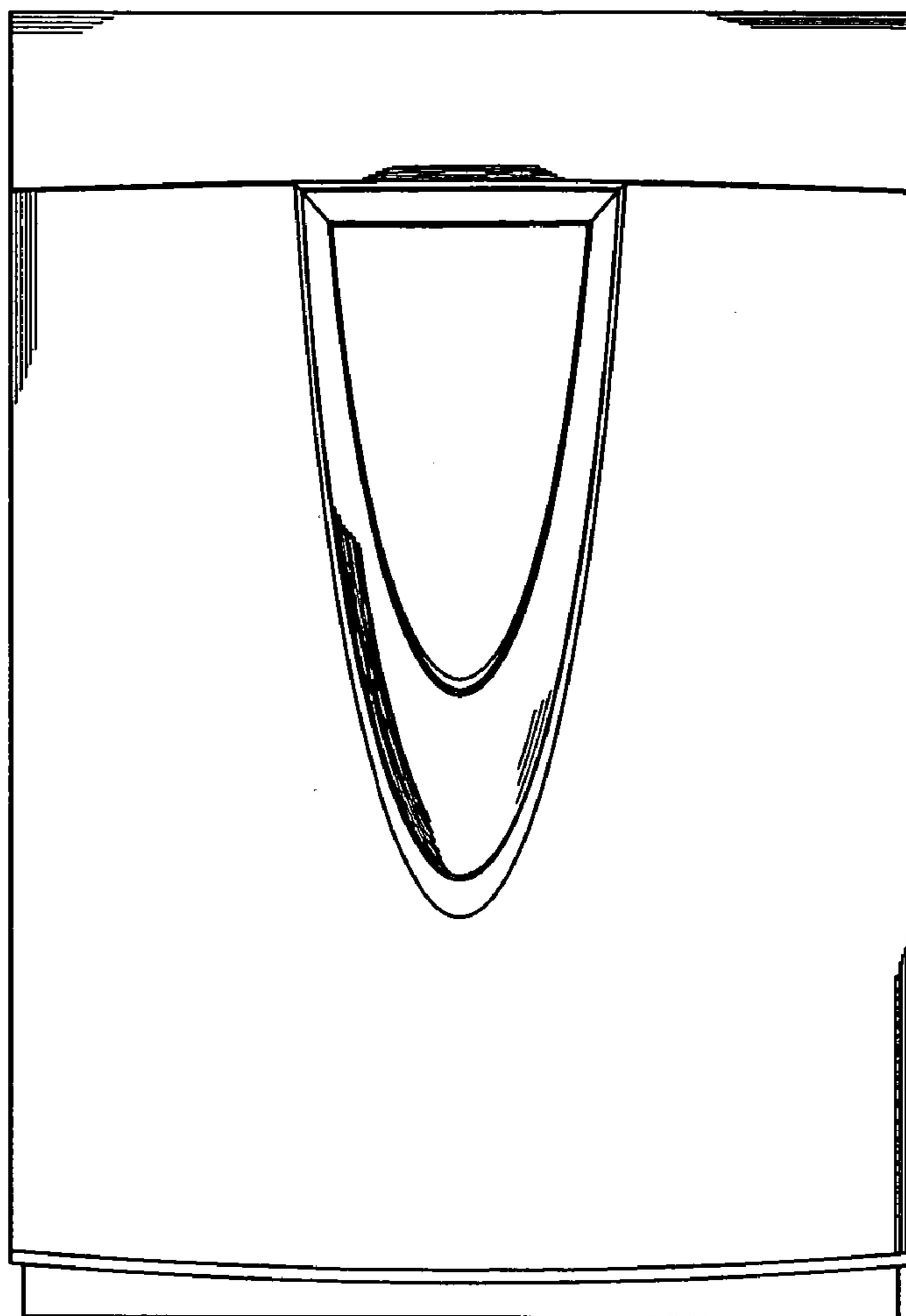


FIG.2

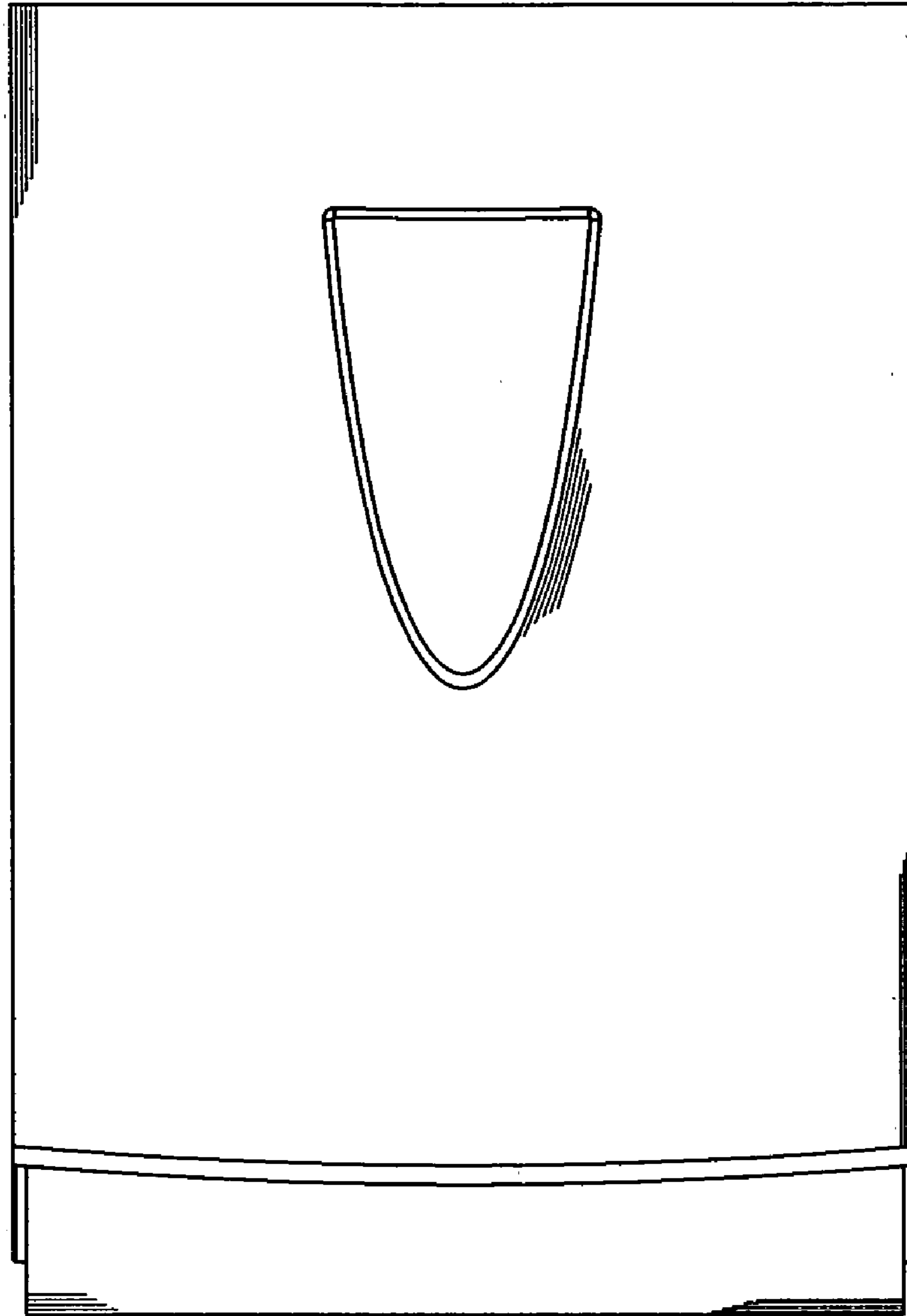


FIG.3

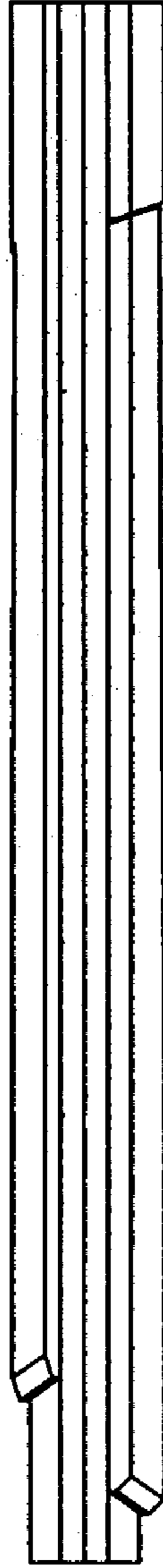


FIG.4



FIG.5

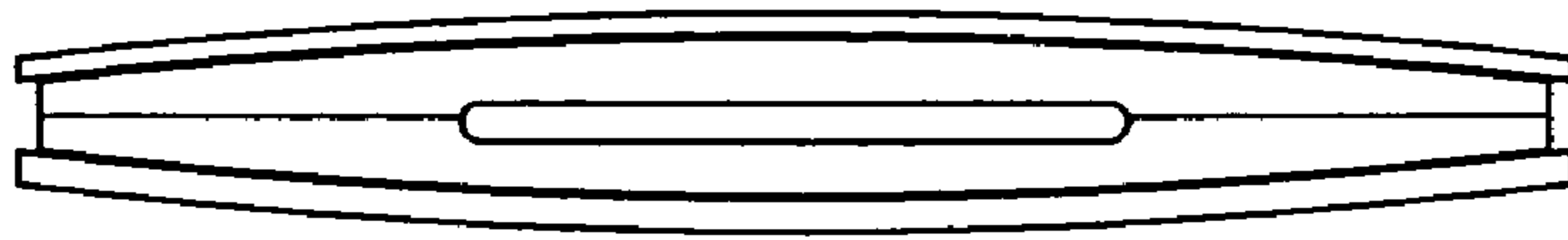


FIG. 6

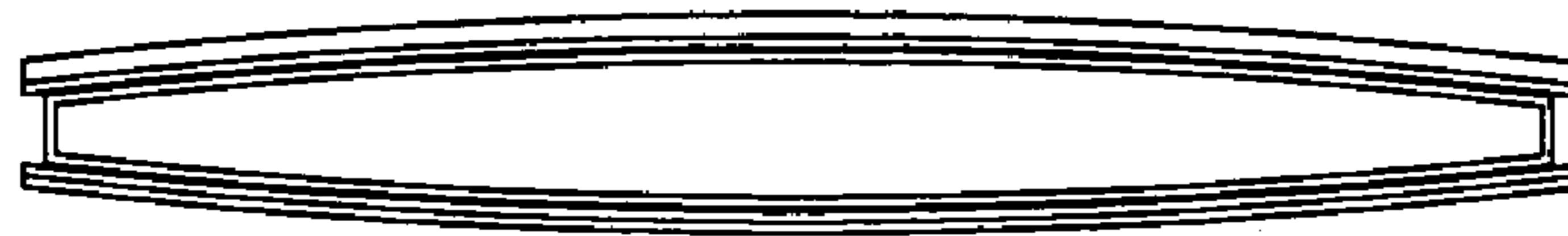


FIG. 7

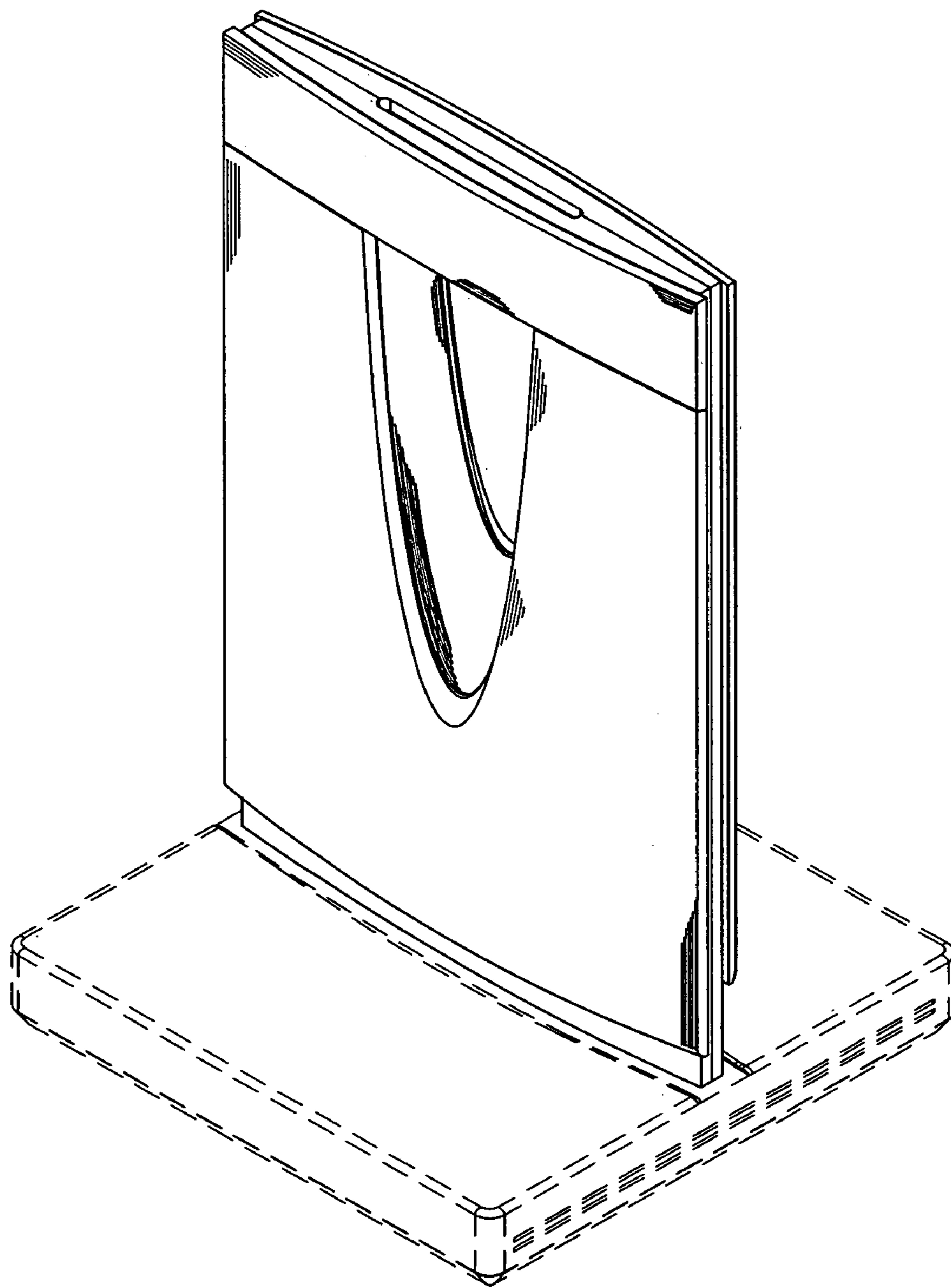


FIG. 8