



US00D623172S

(12) **United States Design Patent**
Kondo et al.

(10) **Patent No.:** **US D623,172 S**

(45) **Date of Patent:** **** Sep. 7, 2010**

(54) **MICROPHONE**

(75) Inventors: **Kazuhisa Kondo**, Tokyo (JP); **Pen-hao Ma**, Tokyo (JP); **Wataru Sakuma**, Kanagawa (JP)

(73) Assignee: **Kabushiki Kaisha Audio-Technica**, Tokyo (JP)

(**) Term: **14 Years**

(21) Appl. No.: **29/356,624**

(22) Filed: **Mar. 1, 2010**

(30) **Foreign Application Priority Data**

Nov. 2, 2009 (JP) 2009-025692

(51) **LOC (9) Cl.** **14-01**

(52) **U.S. Cl.** **D14/227**

(58) **Field of Classification Search** D21/513;
D17/99; D16/208; D14/497, 249, 243, 227,
D14/226, 225, 167, 155; 446/416; 381/369,
381/355, 92, 174; 455/575.2
See application file for complete search history.

(56) **References Cited**

U.S. PATENT DOCUMENTS

D245,776 S * 9/1977 Dellar D14/225
D357,016 S * 4/1995 Li et al. D14/168
D379,461 S * 5/1997 Hartman D14/227
D395,893 S * 7/1998 Hern et al. D14/227
D461,793 S * 8/2002 Brumitt et al. D14/223

D474,490 S * 5/2003 Ogasawara D16/208
D478,068 S * 8/2003 Sundquist et al. D14/228
D479,837 S * 9/2003 Sundquist et al. D14/228
D563,396 S * 3/2008 Probst et al. D14/228
D581,898 S * 12/2008 Oka D14/167
D596,167 S * 7/2009 Fleischer et al. D14/228
D607,441 S * 1/2010 Yamakawa D14/225
D611,925 S * 3/2010 Miyazaki D14/167

* cited by examiner

Primary Examiner—Austin Murphy

(74) *Attorney, Agent, or Firm*—Whitham Curtis Christofferson & Cook, PC

(57) **CLAIM**

We claim the ornamental design for the microphone, as shown and described.

DESCRIPTION

FIG. 1 is a front elevational view of the microphone;
FIG. 2 is a rear elevational view of the microphone;
FIG. 3 is a top plan view of the microphone;
FIG. 4 is a bottom plan view of the microphone;
FIG. 5 is a left side elevational view of the microphone;
FIG. 6 is a right side elevational view of the microphone; and,
FIG. 7 is a perspective view of the microphone.

The broken lines shown in the drawings represent unclaimed portions of the microphone and form no part of the claimed design.

1 Claim, 7 Drawing Sheets

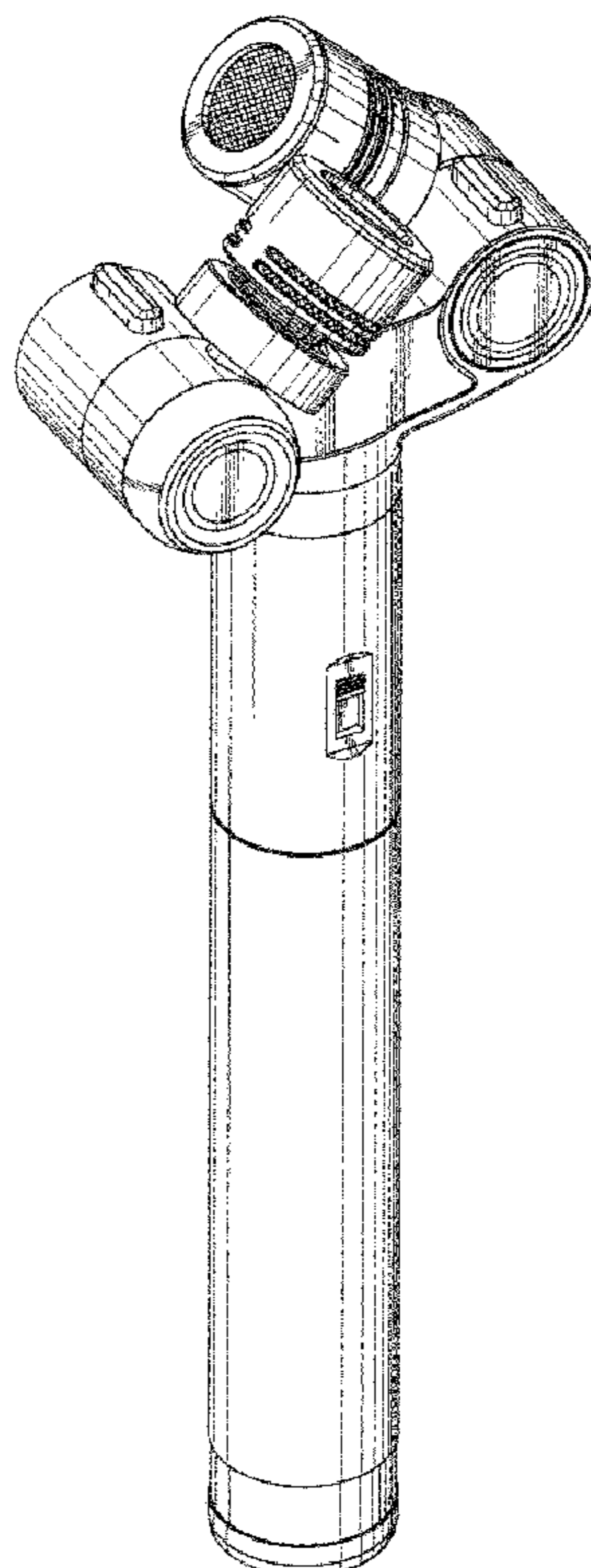


FIG. 1

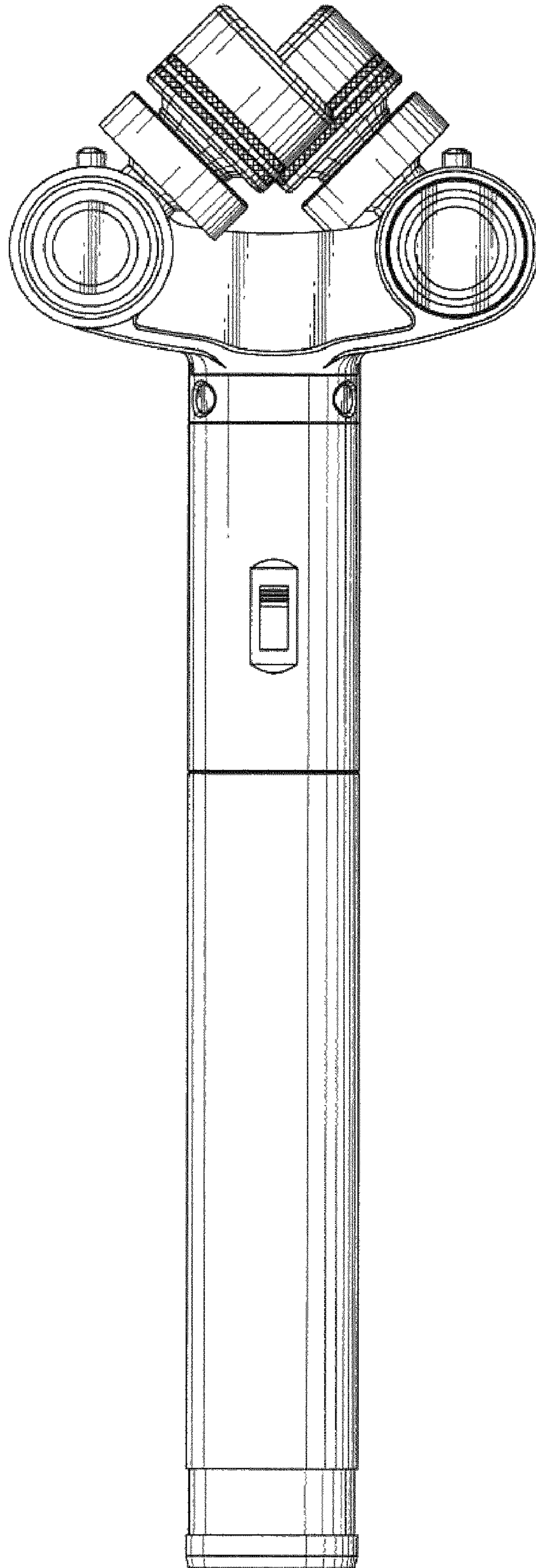


FIG. 2

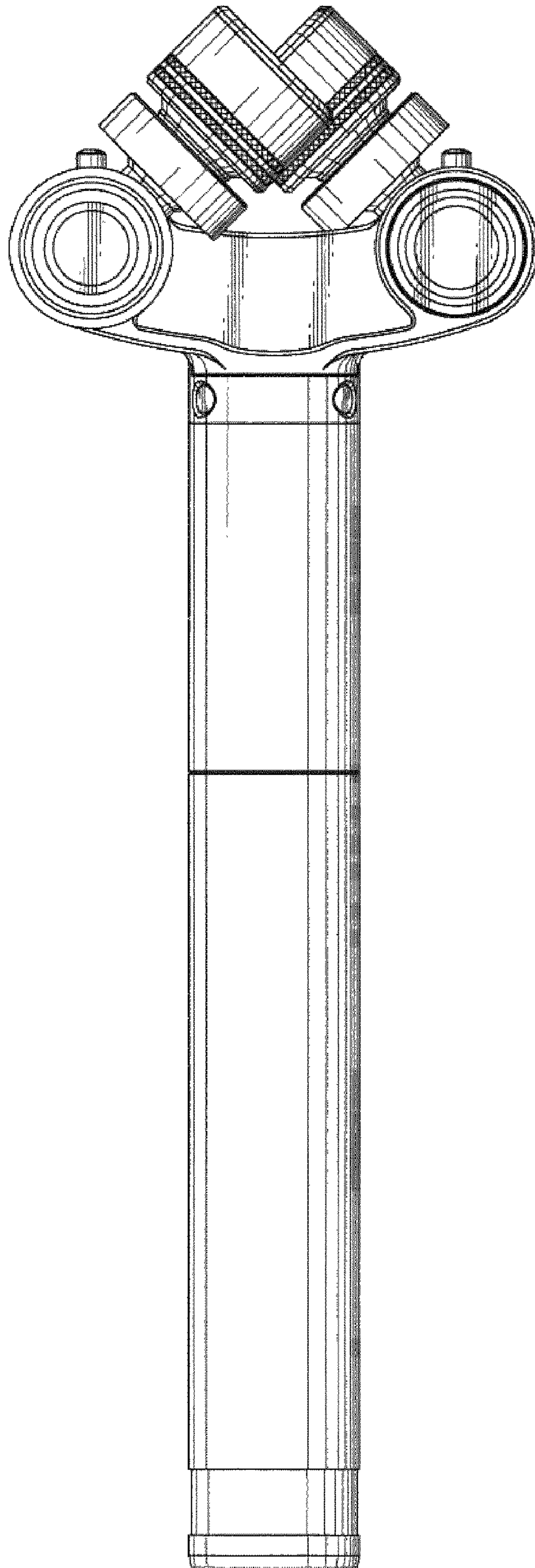


FIG. 3

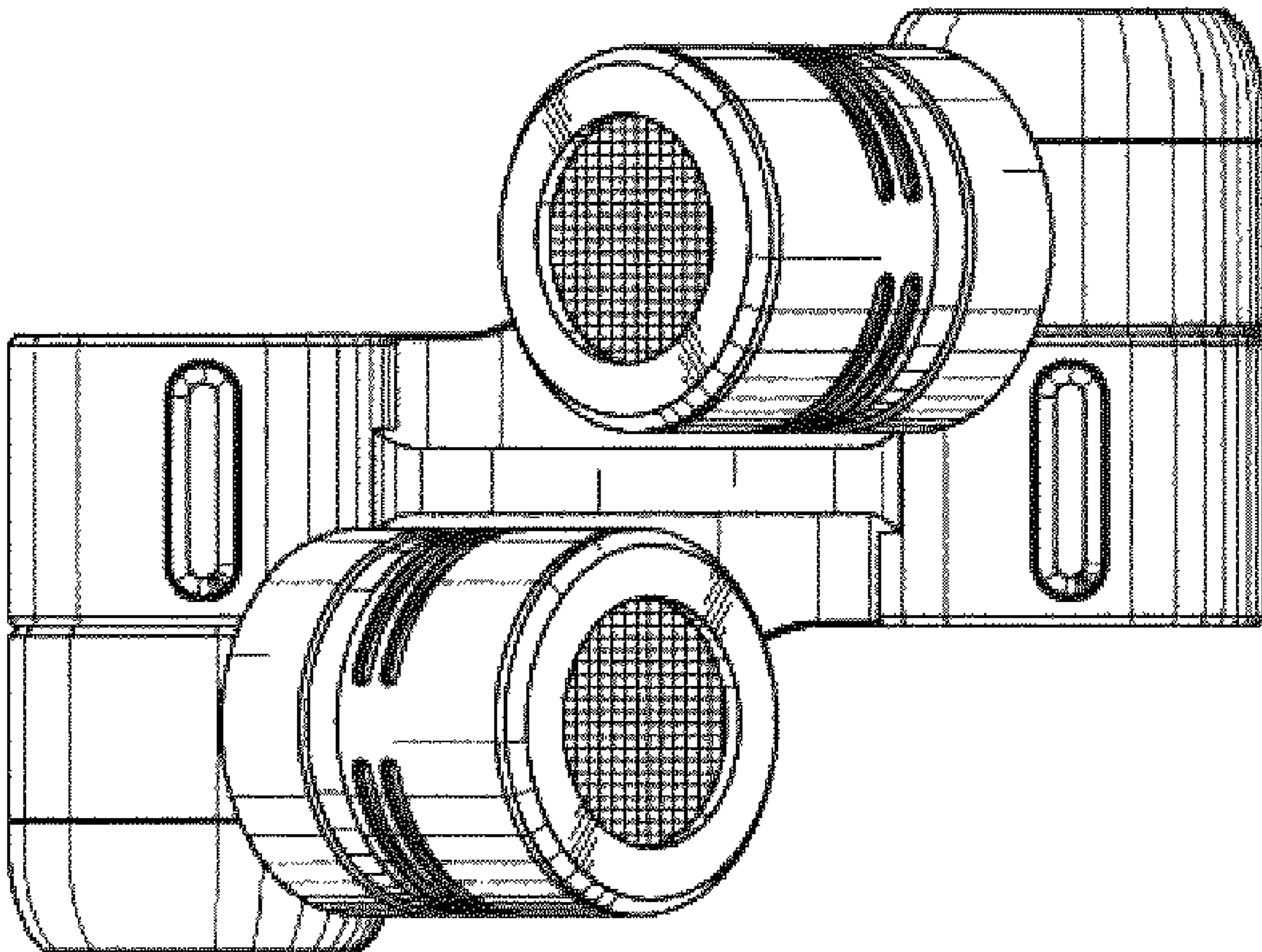


FIG. 4

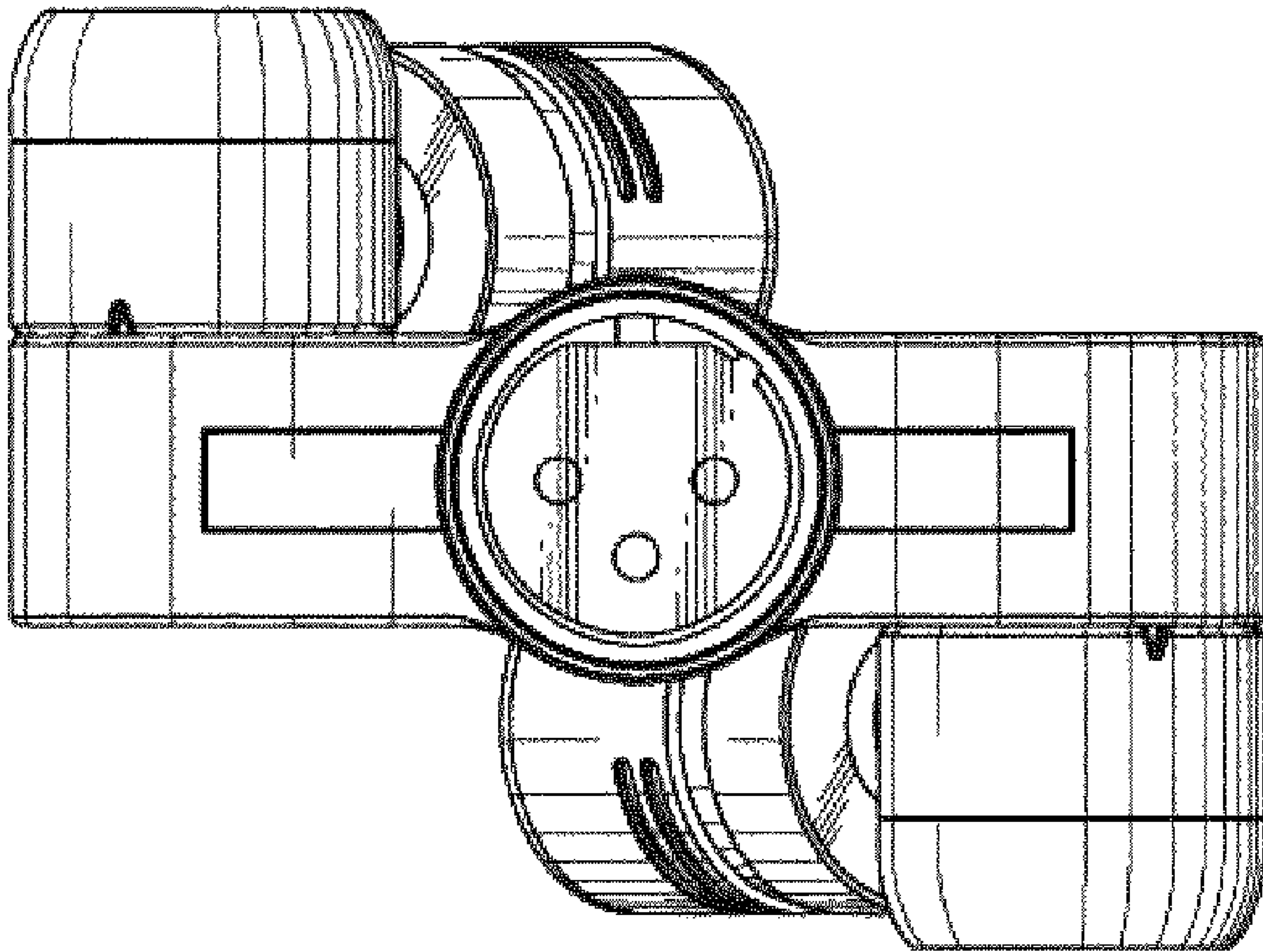


FIG. 5

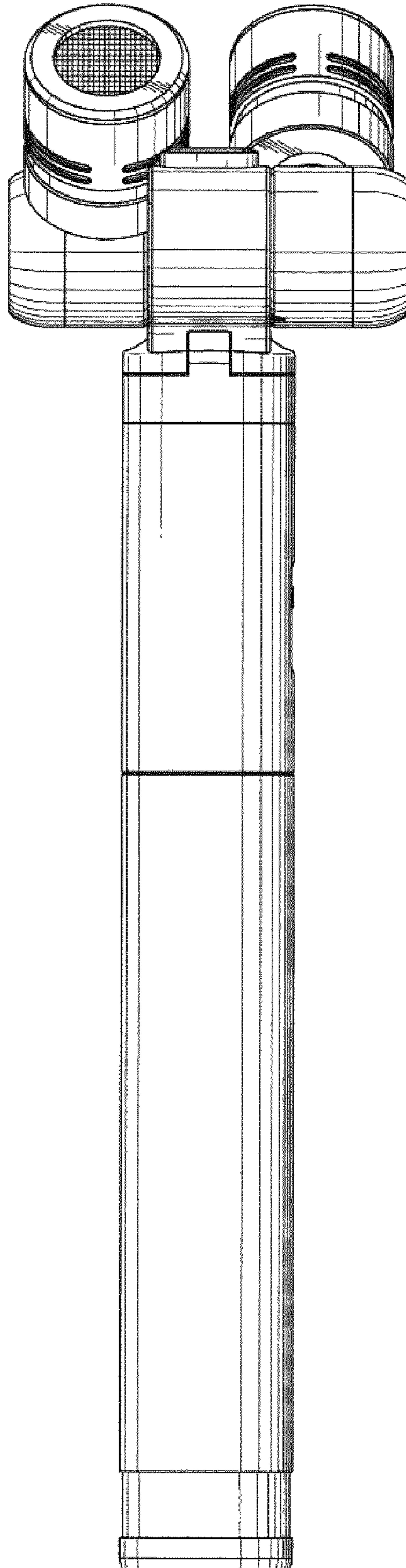


FIG. 6

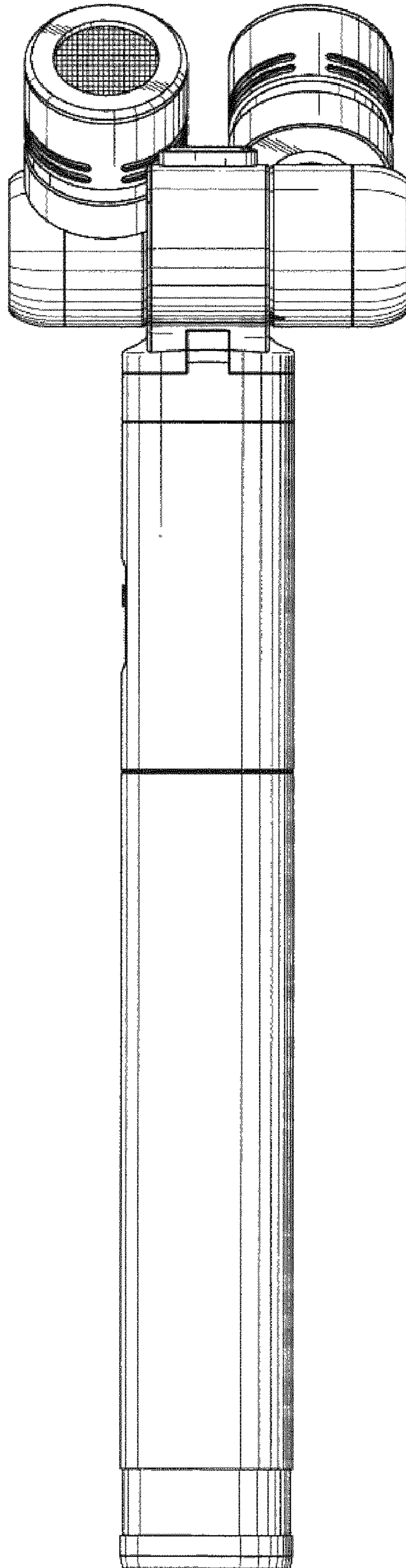
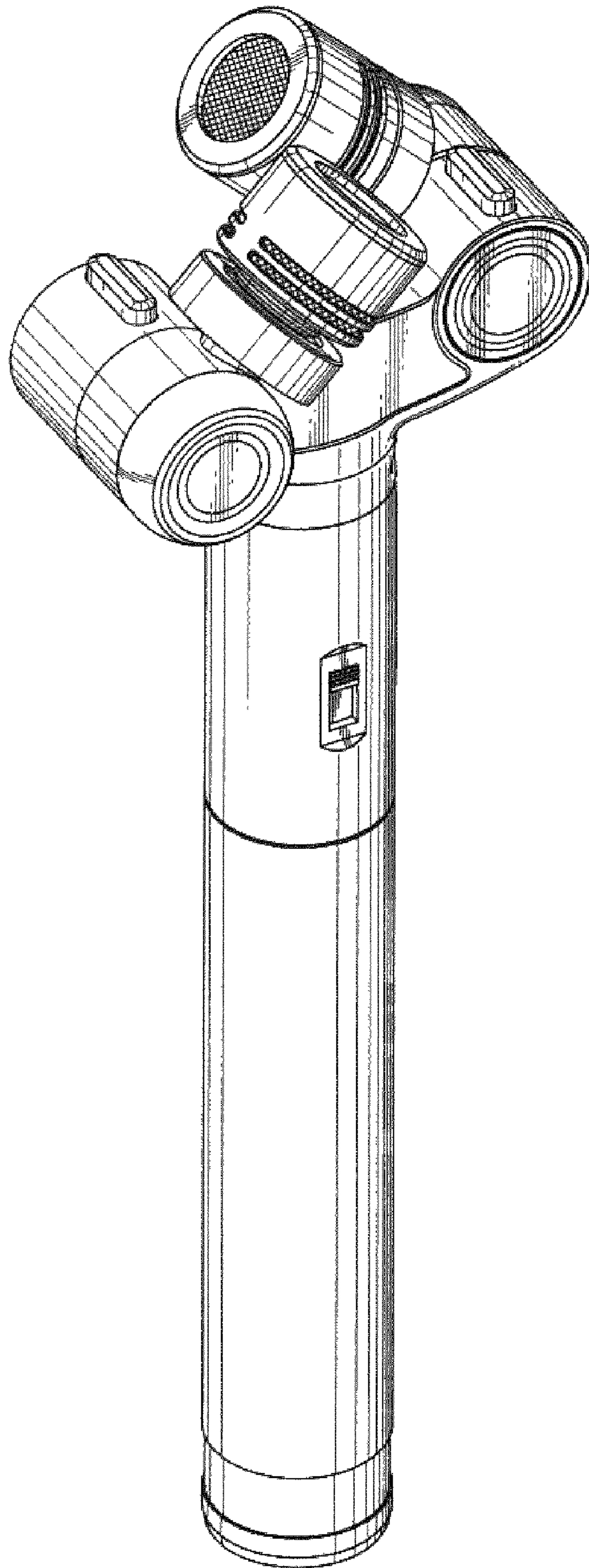


FIG. 7



UNITED STATES PATENT AND TRADEMARK OFFICE
CERTIFICATE OF CORRECTION

PATENT NO. : Des. 623,172 S
APPLICATION NO. : 29/356624
DATED : September 7, 2010
INVENTOR(S) : Kazuhisa Kondo et al.

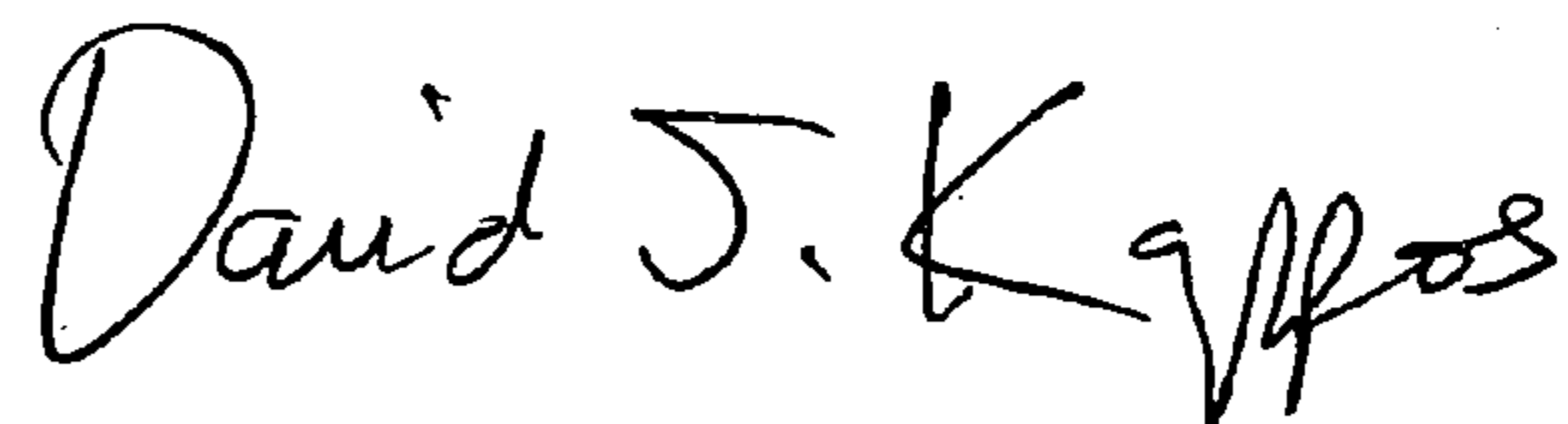
Page 1 of 2

It is certified that error appears in the above-identified patent and that said Letters Patent is hereby corrected as shown below:

Delete Fig. 4, and substitute therefor Fig. 4 as shown on the attached page.

Signed and Sealed this

Twenty-third Day of November, 2010

A handwritten signature in black ink that reads "David J. Kappos". The signature is written in a cursive, flowing style.

David J. Kappos
Director of the United States Patent and Trademark Office

FIG. 4

