

US00D623170S

(12) **United States Design Patent**
Baron et al.

(10) **Patent No.:** **US D623,170 S**

(45) **Date of Patent:** **** Sep. 7, 2010**

(54) **SUBWOOFER**

(75) Inventors: **Allen S. Baron**, Baltimore, MD (US);
Ken S. Chae, Baltimore, MD (US);
Scott Orth, Laurel, MD (US); **Steven S. Tourison**, Glen Burnie, MD (US)

(73) Assignee: **DEI Headquarters, Inc.**, Vista, CA (US)

(**) Term: **14 Years**

(21) Appl. No.: **29/346,844**

(22) Filed: **Nov. 6, 2009**

(51) **LOC (9) Cl.** **14-01**

(52) **U.S. Cl.** **D14/216**

(58) **Field of Classification Search** D14/204,
D14/210–216, 172; 181/143–144, 147–148,
181/150–153, 157, 198–199; 381/300–303,
381/306, 332–333, 336, 345, 361–364, 386–388
See application file for complete search history.

(56) **References Cited**

U.S. PATENT DOCUMENTS

D342,738 S * 12/1993 Hwang D14/213

D518,026 S * 3/2006 Dayan D14/215
D541,260 S * 4/2007 Christianson D14/215
D554,619 S * 11/2007 Solland D14/215
D584,289 S * 1/2009 Lee D14/216
D597,532 S * 8/2009 Wang D14/216

* cited by examiner

Primary Examiner—Nanda Bondade

(74) *Attorney, Agent, or Firm*—Medler Ferro PLLC

(57) **CLAIM**

The ornamental design for a subwoofer, as shown and described.

DESCRIPTION

FIG. 1 is a top perspective view of a subwoofer showing our new design;

FIG. 2 is front view thereof, the rear view being identical;

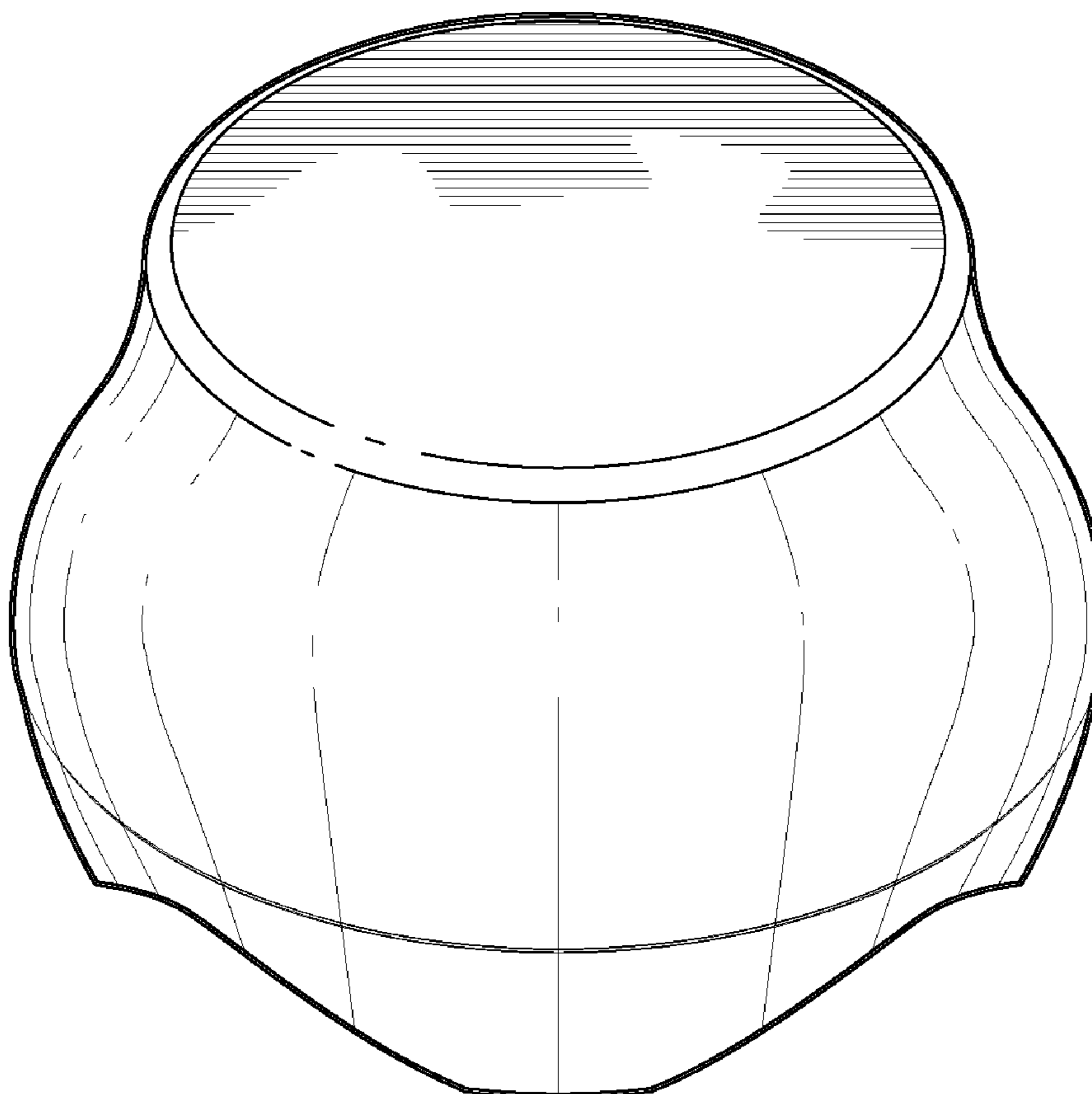
FIG. 3 is a top view thereof;

FIG. 4 is a bottom view thereof;

FIG. 5 is a side view thereof, the opposite side being identical; and,

FIG. 6 is a bottom perspective view thereof.

1 Claim, 6 Drawing Sheets



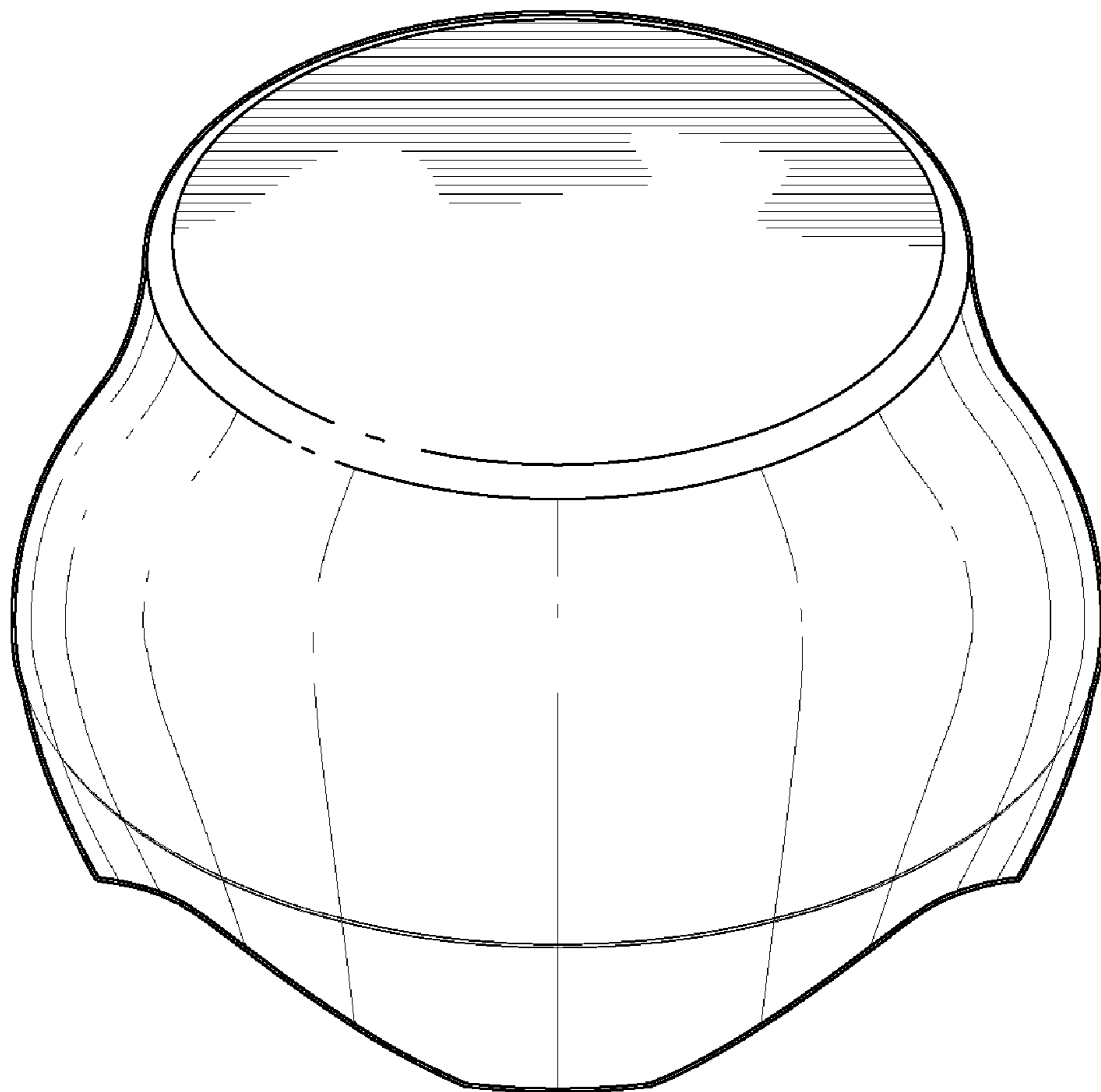


FIG. 1

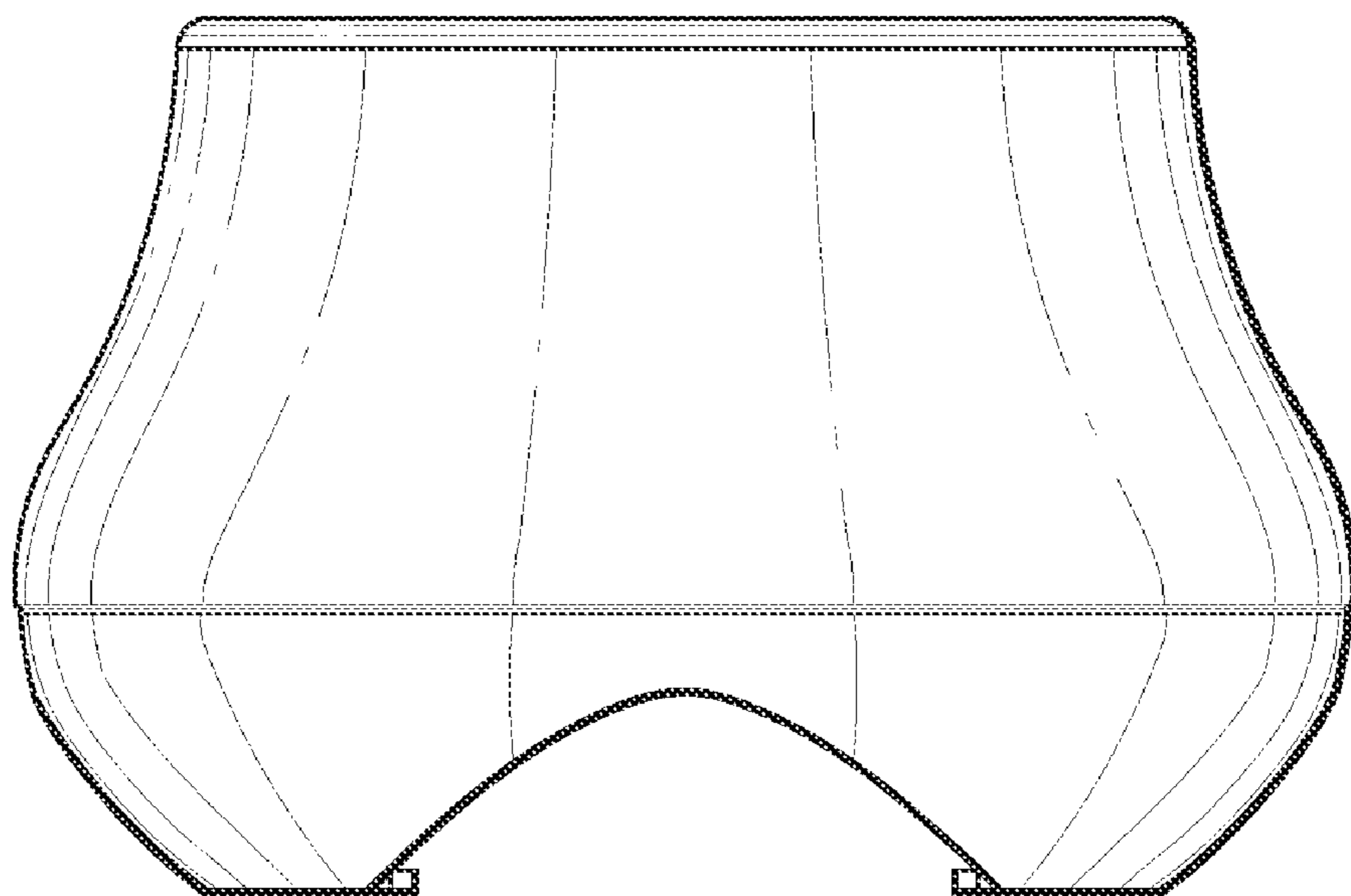


FIG. 2

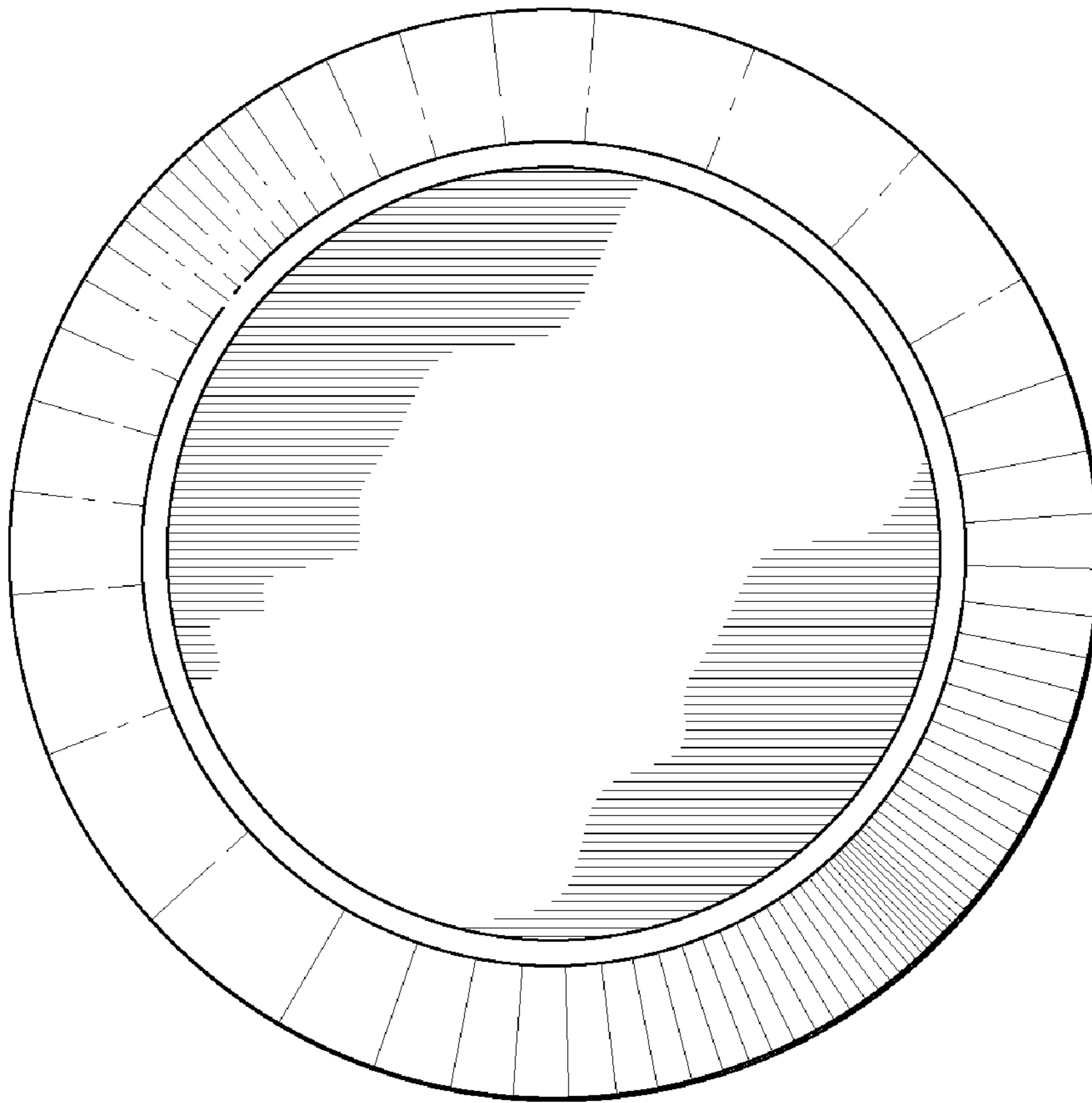


FIG. 3

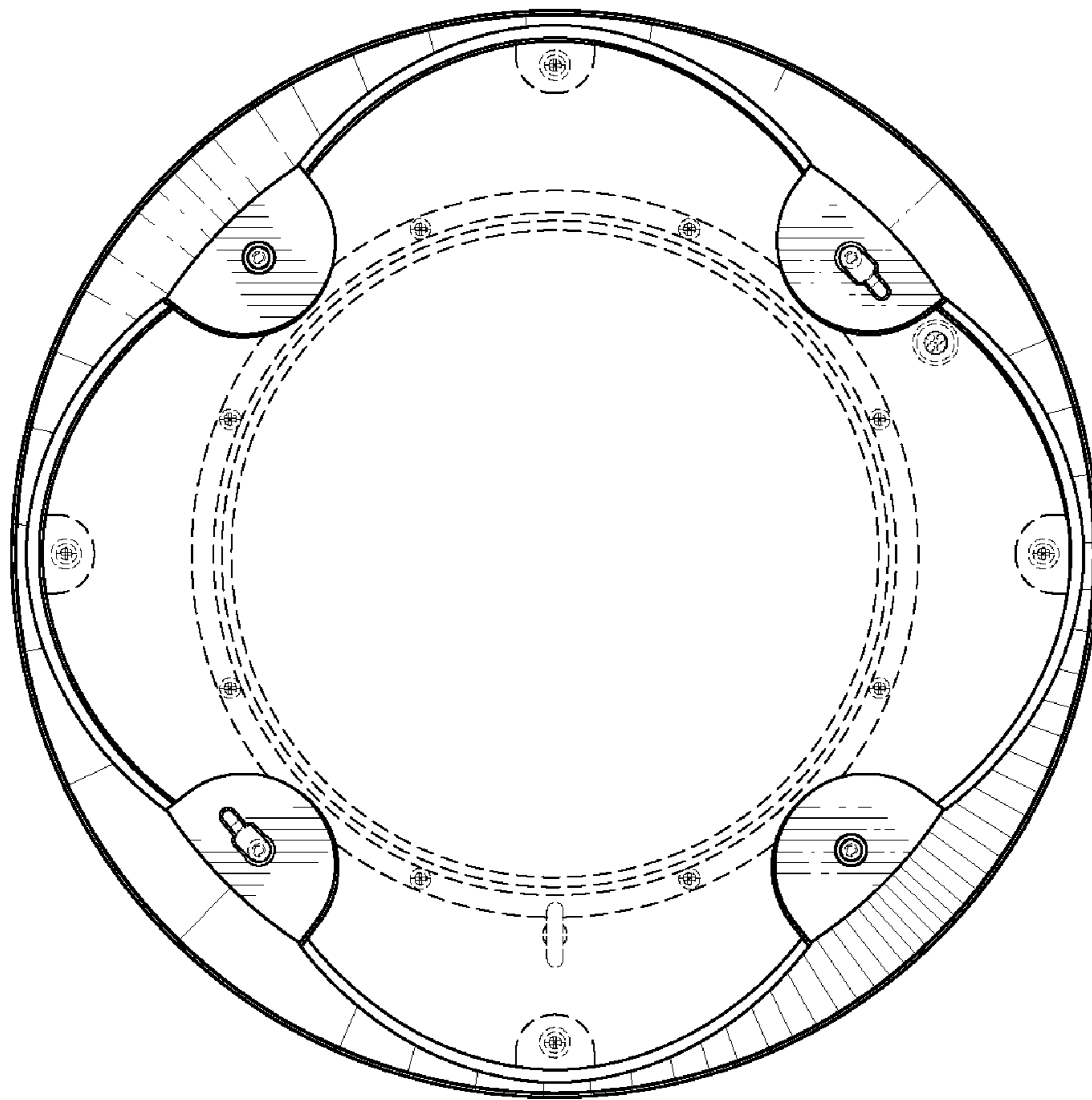


FIG.4

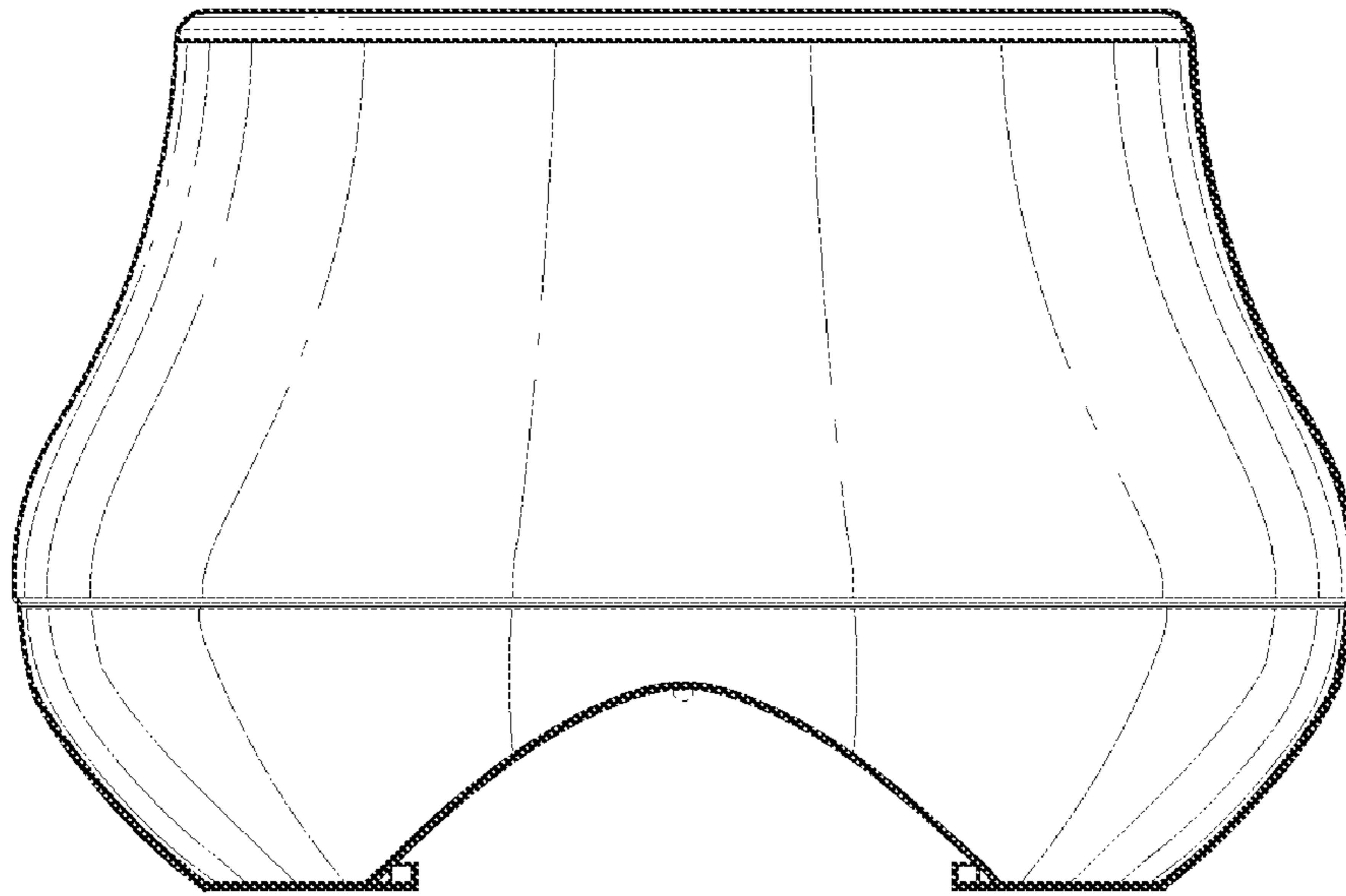


FIG. 5

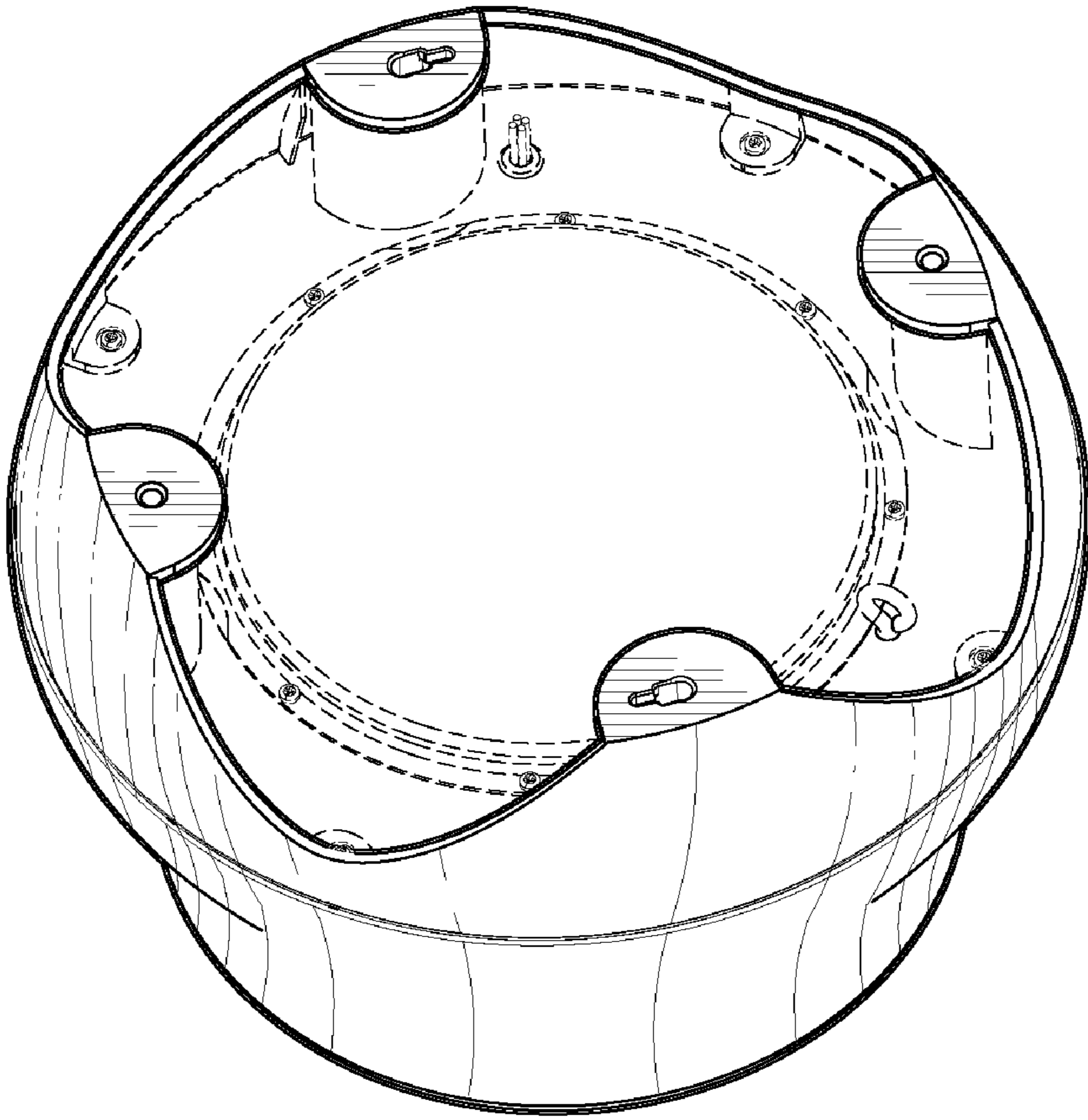


FIG.6