



US00D623168S

(12) **United States Design Patent**
Chen

(10) **Patent No.:** **US D623,168 S**

(45) **Date of Patent:** **** Sep. 7, 2010**

(54) **SPEAKER**

D570,828 S * 6/2008 Cho D14/215
D573,585 S * 7/2008 Belanger et al. D14/215

(75) Inventor: **Hwang-Miaw Chen**, Taipei Hsien (TW)

* cited by examiner

(73) Assignee: **Foxconn Technology Co., Ltd.**,
Tu-Cheng, Taipei Hsien (TW)

Primary Examiner—Nanda Bondade
(74) *Attorney, Agent, or Firm*—Frank R. Niranjana

(**) Term: **14 Years**

(57) **CLAIM**

(21) Appl. No.: **29/341,666**

The ornamental design for a speaker, as shown and described.

(22) Filed: **Aug. 11, 2009**

DESCRIPTION

(51) **LOC (9) Cl.** **14-01**

(52) **U.S. Cl.** **D14/215; D14/214**

(58) **Field of Classification Search** D14/204,
D14/210–216, 172, 496; 181/143–144, 147–148,
181/150–153, 157, 198–199; 381/300–303,
381/306, 332–333, 336, 345, 361–364, 386–388
See application file for complete search history.

FIG. 1 is a perspective view of a speaker of my new design;
FIG. 2 is a front elevational view thereof;
FIG. 3 is a rear elevational view thereof;
FIG. 4 is a left side elevational view thereof;
FIG. 5 is a right side elevational view thereof;
FIG. 6 is a top plan view thereof; and,
FIG. 7 is a bottom plan view thereof.

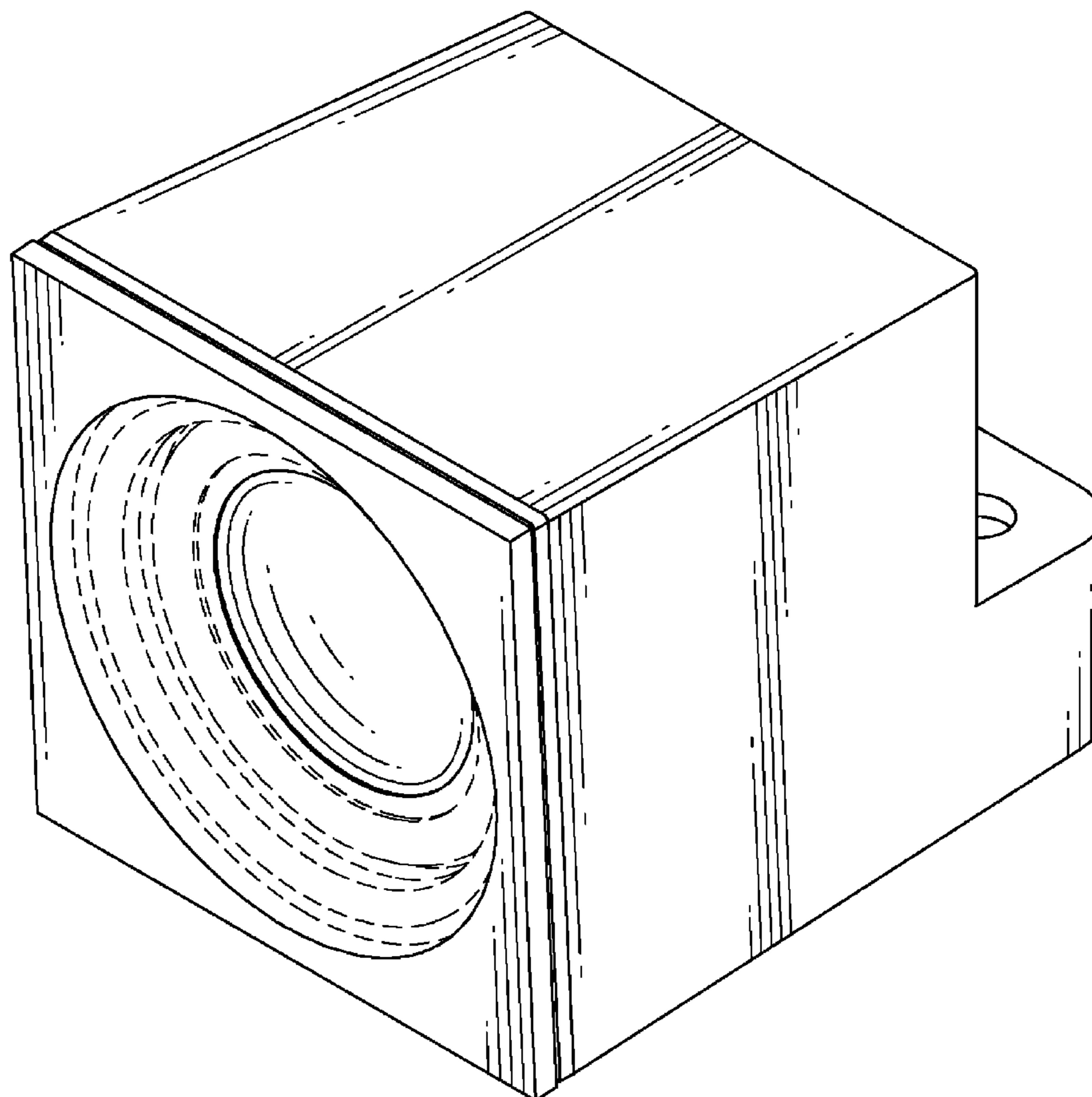
The broken lines shown in the figures are included for the purpose of illustrating portions of the speaker that form no part of the claimed design.

(56) **References Cited**

U.S. PATENT DOCUMENTS

D500,305 S * 12/2004 Lin et al. D14/215
D533,541 S * 12/2006 Motoishi D14/215
D566,690 S * 4/2008 Ching D14/214

1 Claim, 7 Drawing Sheets



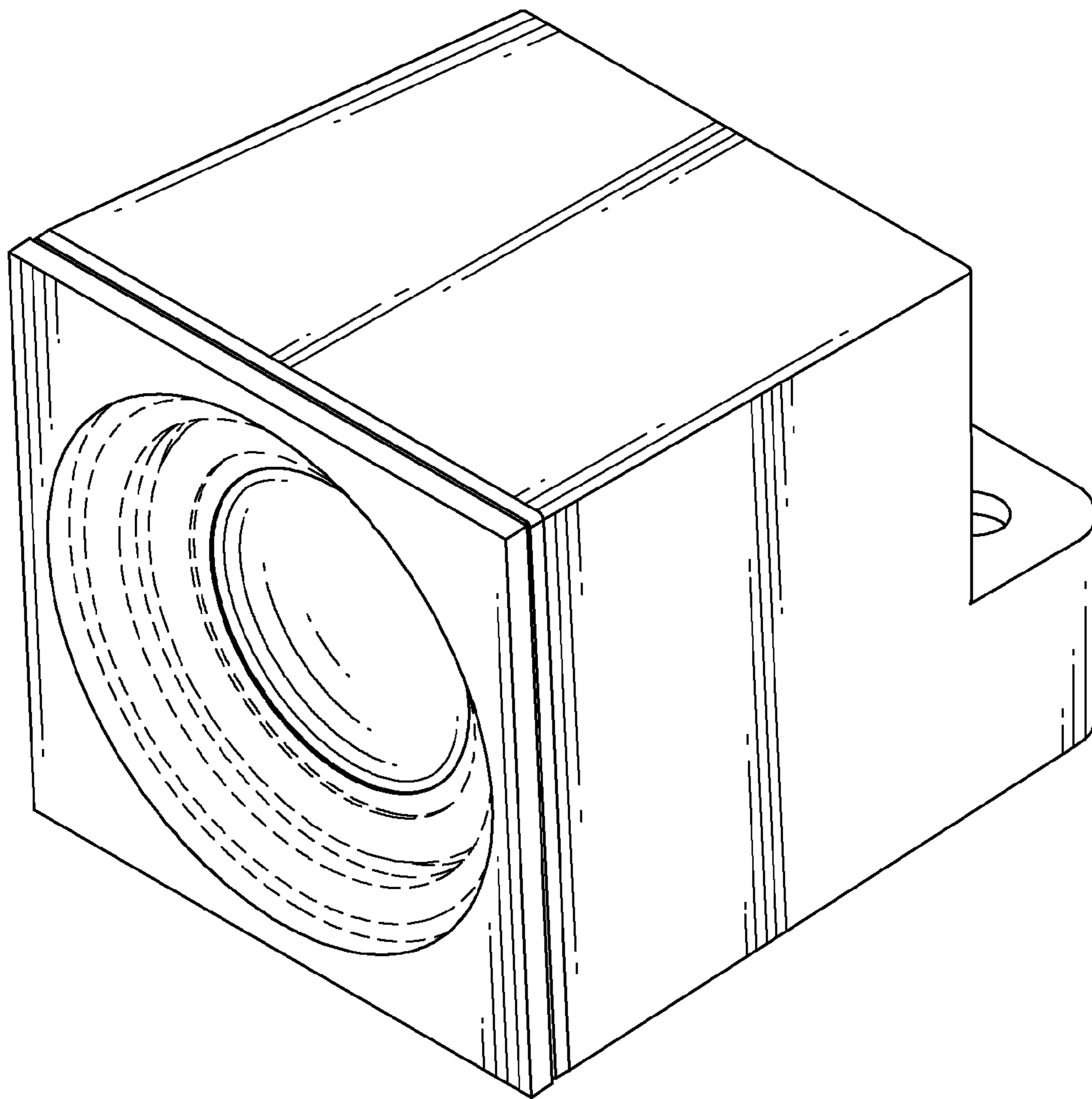


FIG. 1

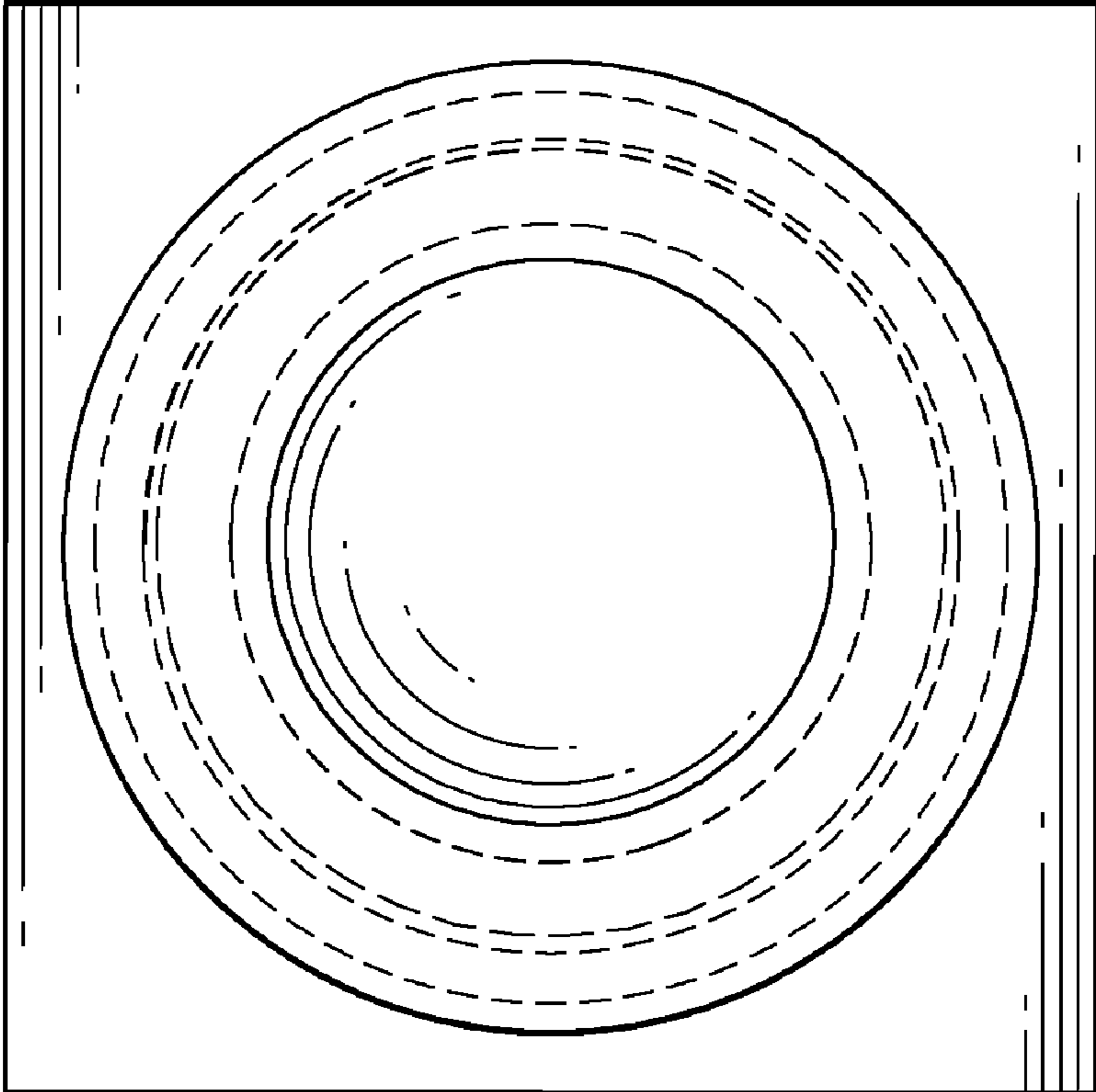


FIG. 2

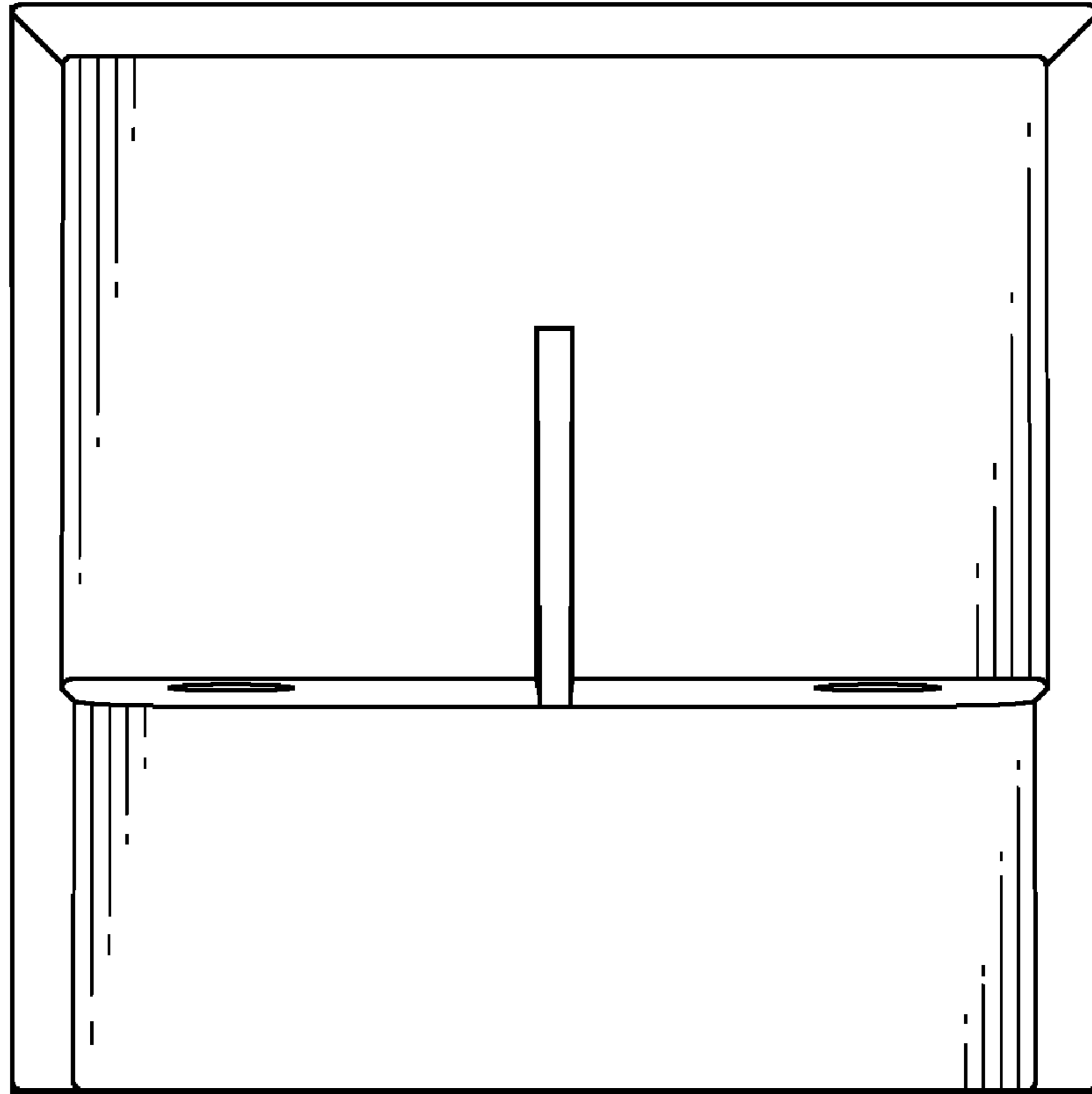


FIG. 3

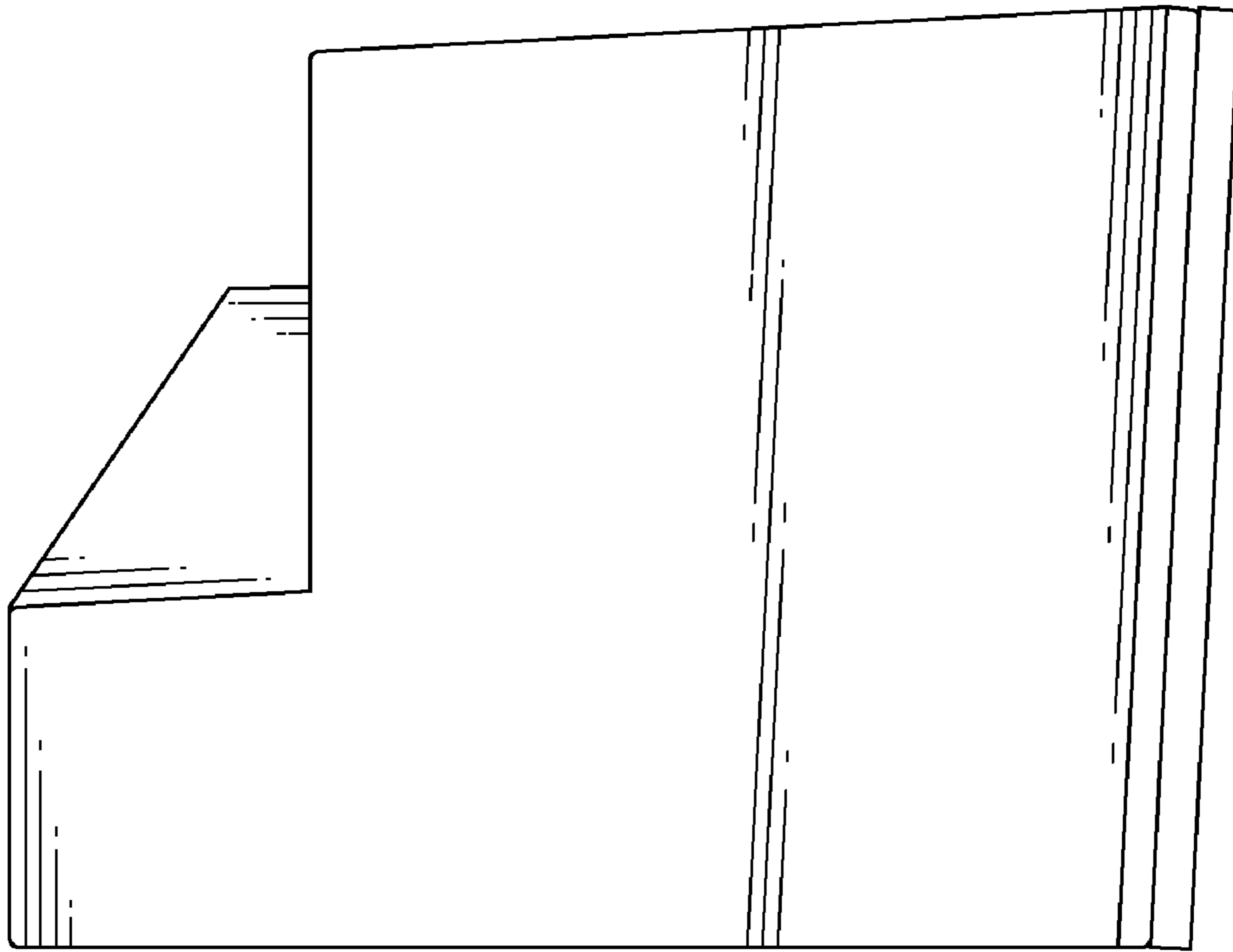


FIG. 4

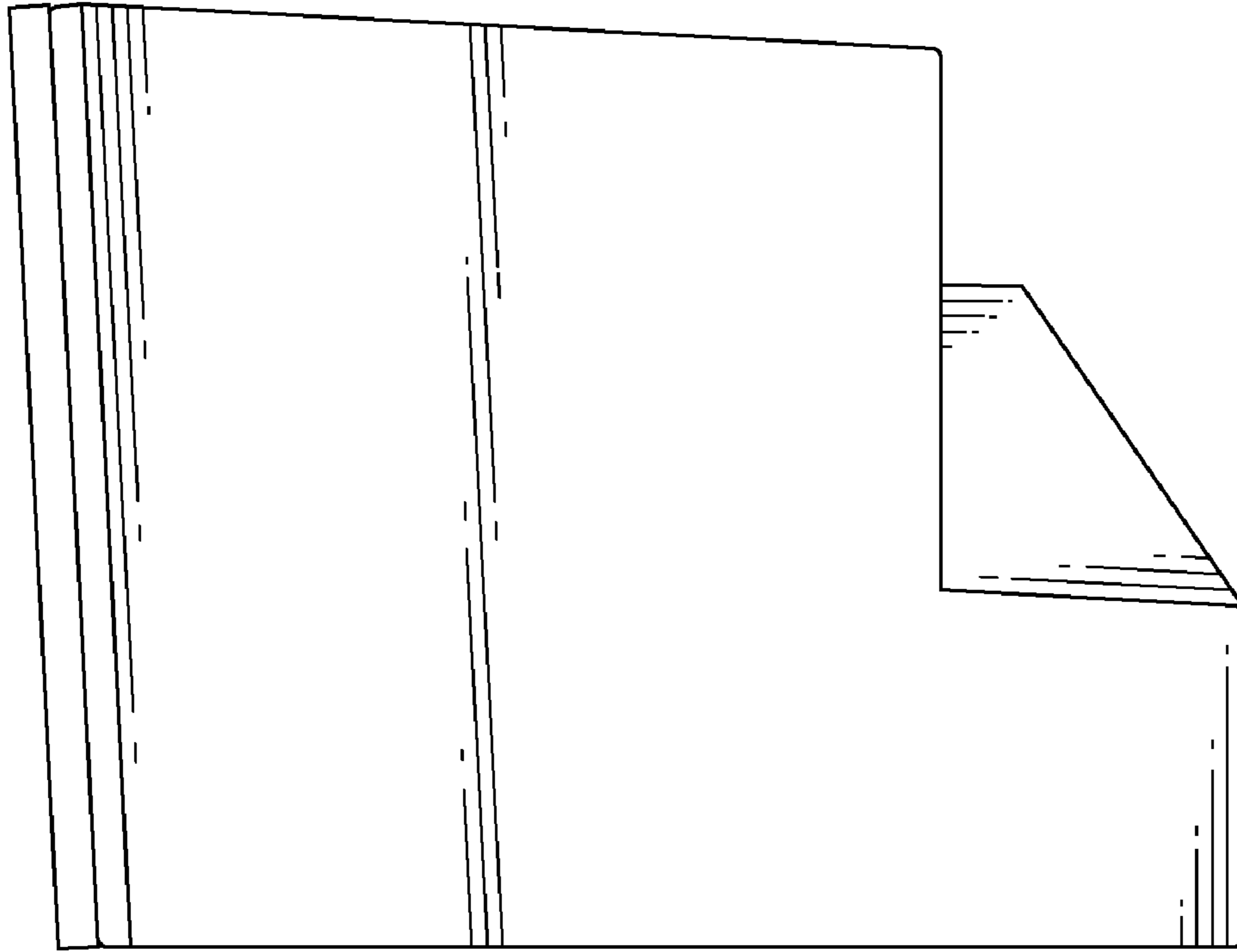


FIG. 5

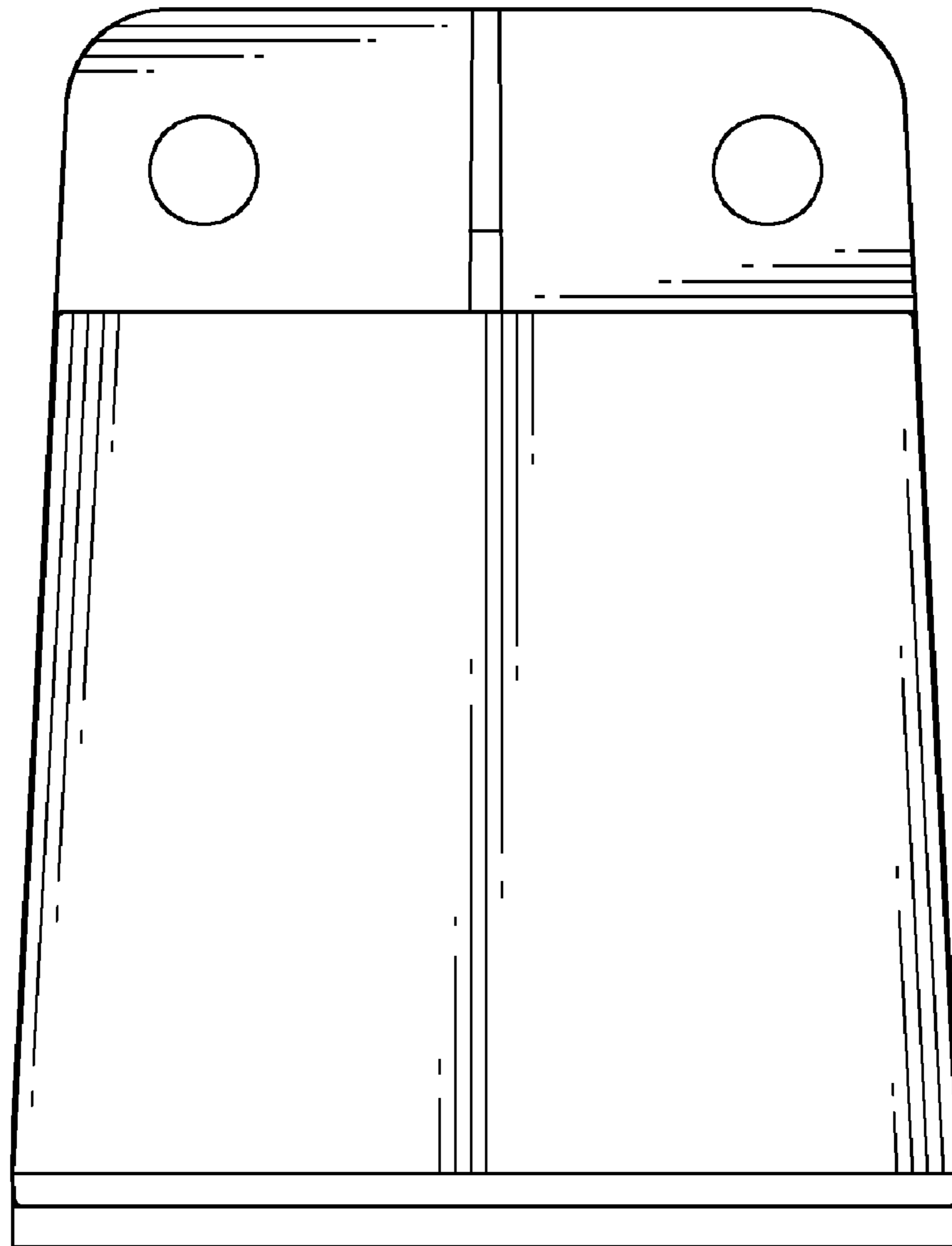


FIG. 6

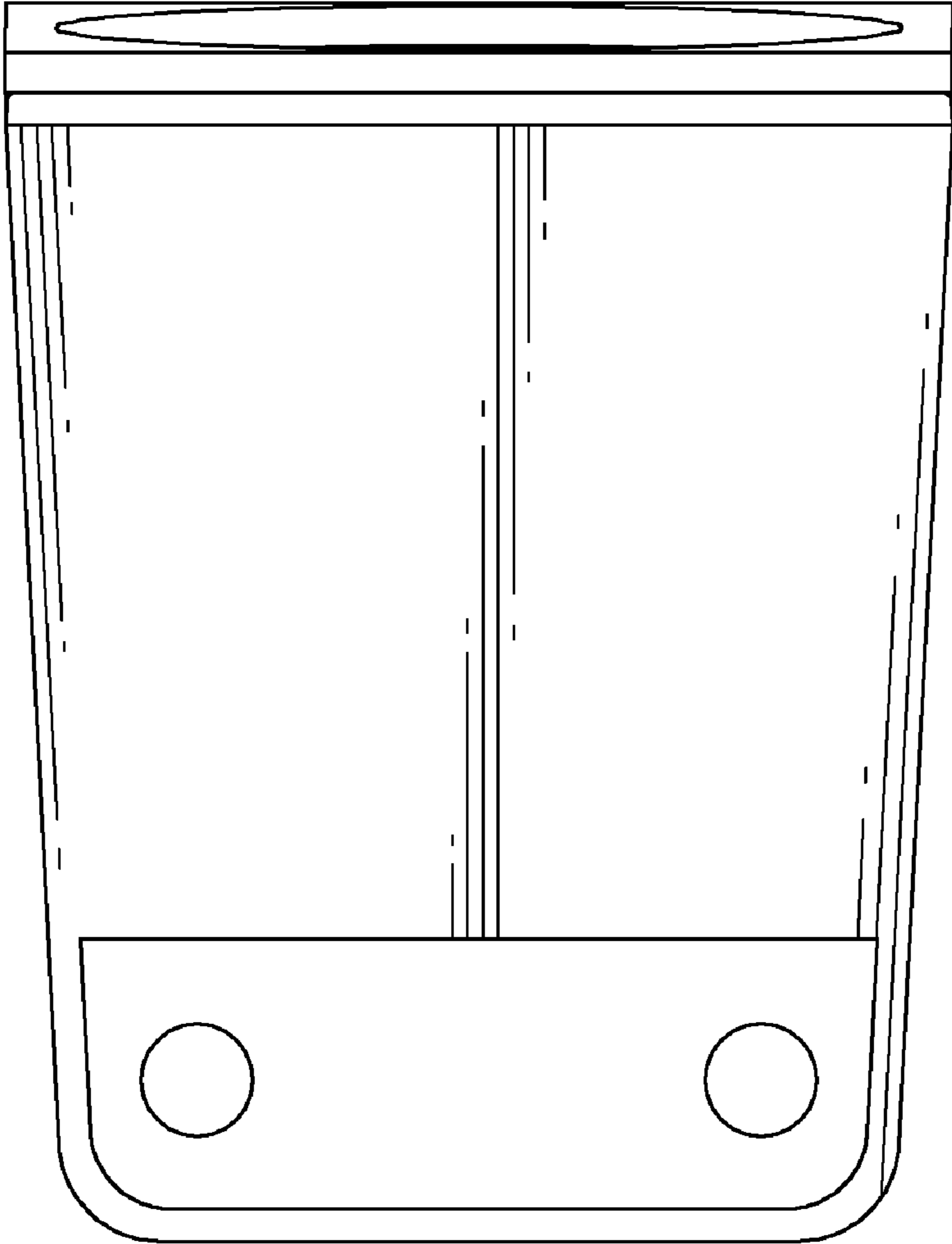


FIG. 7