



US00D623166S

(12) **United States Design Patent**  
**Oka**

(10) **Patent No.:** **US D623,166 S**  
(45) **Date of Patent:** **\*\* Sep. 7, 2010**

(54) **PORTABLE RECORDER**

(75) Inventor: **Hiroki Oka**, Tokyo (JP)  
(73) Assignee: **Sony Corporation**, Tokyo (JP)  
(\*\*) Term: **14 Years**

(21) Appl. No.: **29/347,308**

(22) Filed: **Nov. 30, 2009**

(30) **Foreign Application Priority Data**

Jun. 17, 2009 (CN) ..... 2009 3 0181494  
Jun. 23, 2009 (JP) ..... D2009-014177

(51) **LOC (9) Cl.** ..... **14-01**  
(52) **U.S. Cl.** ..... **D14/167**  
(58) **Field of Classification Search** ..... D14/167,  
D14/154, 168, 188, 496, 156, 160, 161, 162,  
D14/163, 164, 165, 158, 203.1, 341, 346,  
D14/342, 345, 225, 226, 228, 227, 214; 455/351,  
455/350; D19/60, 62; D21/330; 369/44.14,  
369/44.32; 700/94  
See application file for complete search history.

(56) **References Cited**

**U.S. PATENT DOCUMENTS**

D418,513 S \* 1/2000 Suzuki et al. .... D14/228  
D428,406 S \* 7/2000 Lancaster et al. .... D14/228  
D436,096 S \* 1/2001 Nagele et al. .... D14/214  
D481,702 S \* 11/2003 Takagi ..... D14/203.1  
D486,466 S \* 2/2004 Tanaka ..... D14/167  
D489,057 S \* 4/2004 Obata et al. .... D14/225  
D491,165 S \* 6/2004 Hakoda ..... D14/214  
D532,410 S \* 11/2006 Shimizu ..... D14/226  
D532,411 S \* 11/2006 Shimizu ..... D14/228  
D542,262 S 5/2007 Oka  
D567,798 S 4/2008 Oka  
D568,878 S \* 5/2008 Aoki ..... D14/226  
D578,994 S 10/2008 Oka  
D580,908 S 11/2008 Nakamura  
D581,898 S \* 12/2008 Oka ..... D14/167  
D601,120 S \* 9/2009 Aoki ..... D14/167  
D611,925 S \* 3/2010 Miyazaki ..... D14/167

**FOREIGN PATENT DOCUMENTS**

JP D1265953 S 3/2006  
JP D1340062 S 9/2008

**OTHER PUBLICATIONS**

Web page, "TASCAM Portable Digital Recorder DR-1", <http://www.tascam.jp/list.php?mode=99&mm=9&c2code=02&code=0919DR1G05>, 11 sheets, TEAC Corporation, Japan (Oct. 16, 2009).

Web page, "H2 Handy Recorder", <http://www.zoom.co.jp/japanese/products/h2/>, 9 sheets, Zoom Corporation, Japan (Oct. 16, 2009).

Web page, "R-09HR", <http://www.roland.co.jp/products/jp/R-09HR/>, 3 sheets, Roland Corporation, Japan (Oct. 16, 2009).

Web page, "M Audio Microtrack II", [http://www.m-audio.jp/products/jp\\_jp/MicroTrackII.html](http://www.m-audio.jp/products/jp_jp/MicroTrackII.html), 7 sheets, Avid Technology, Inc., Japan (Oct. 16, 2009).

\* cited by examiner

*Primary Examiner*—Austin Murphy

(74) *Attorney, Agent, or Firm*—Rader, Fishman & Grauer PLLC

(57) **CLAIM**

The ornamental design for a portable recorder, as shown and described.

**DESCRIPTION**

FIG. 1 is a perspective view of a portable recorder showing my new design;

FIG. 2 is a front elevational view thereof;

FIG. 3 is a rear elevational view thereof;

FIG. 4 is a left side elevational view thereof;

FIG. 5 is a right side elevational view thereof;

FIG. 6 is a top plan view thereof; and,

FIG. 7 is a bottom plan view thereof.

Portions in broken lines are for illustrative purpose only and form no part of the claimed design. The dot-dash broken lines define but are not included in, the boundaries of the claimed design.

**1 Claim, 5 Drawing Sheets**

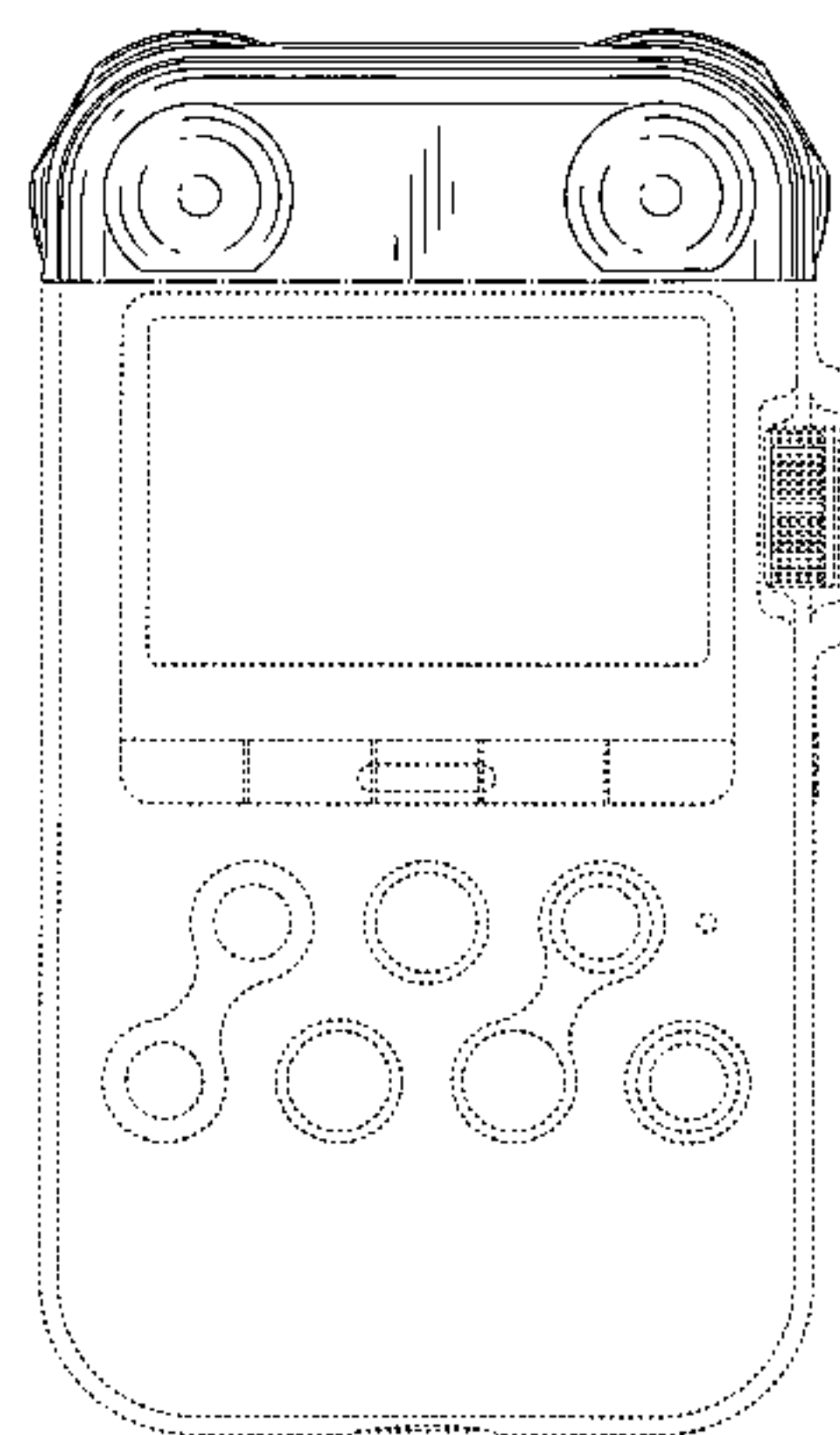
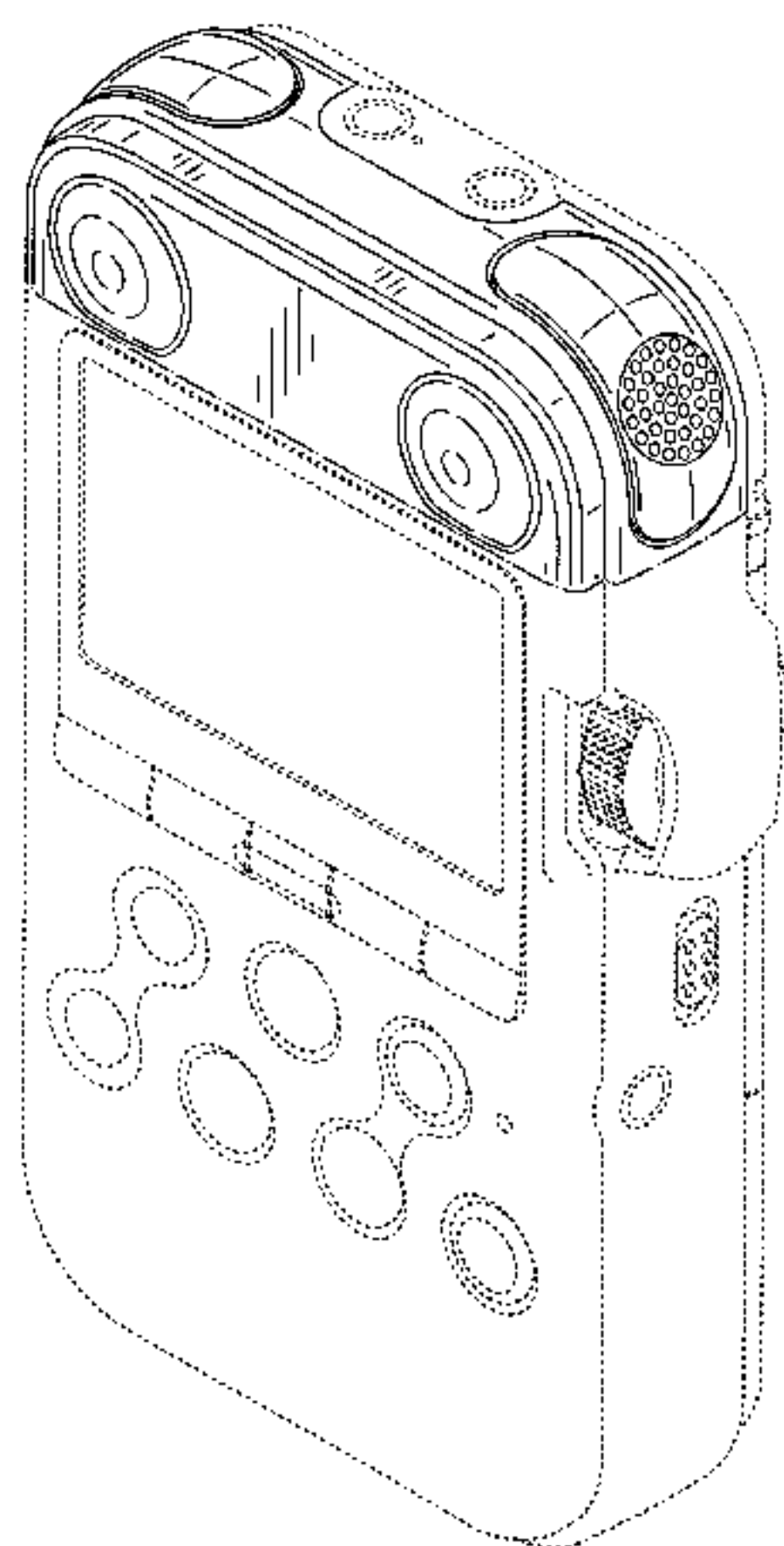


FIG.1

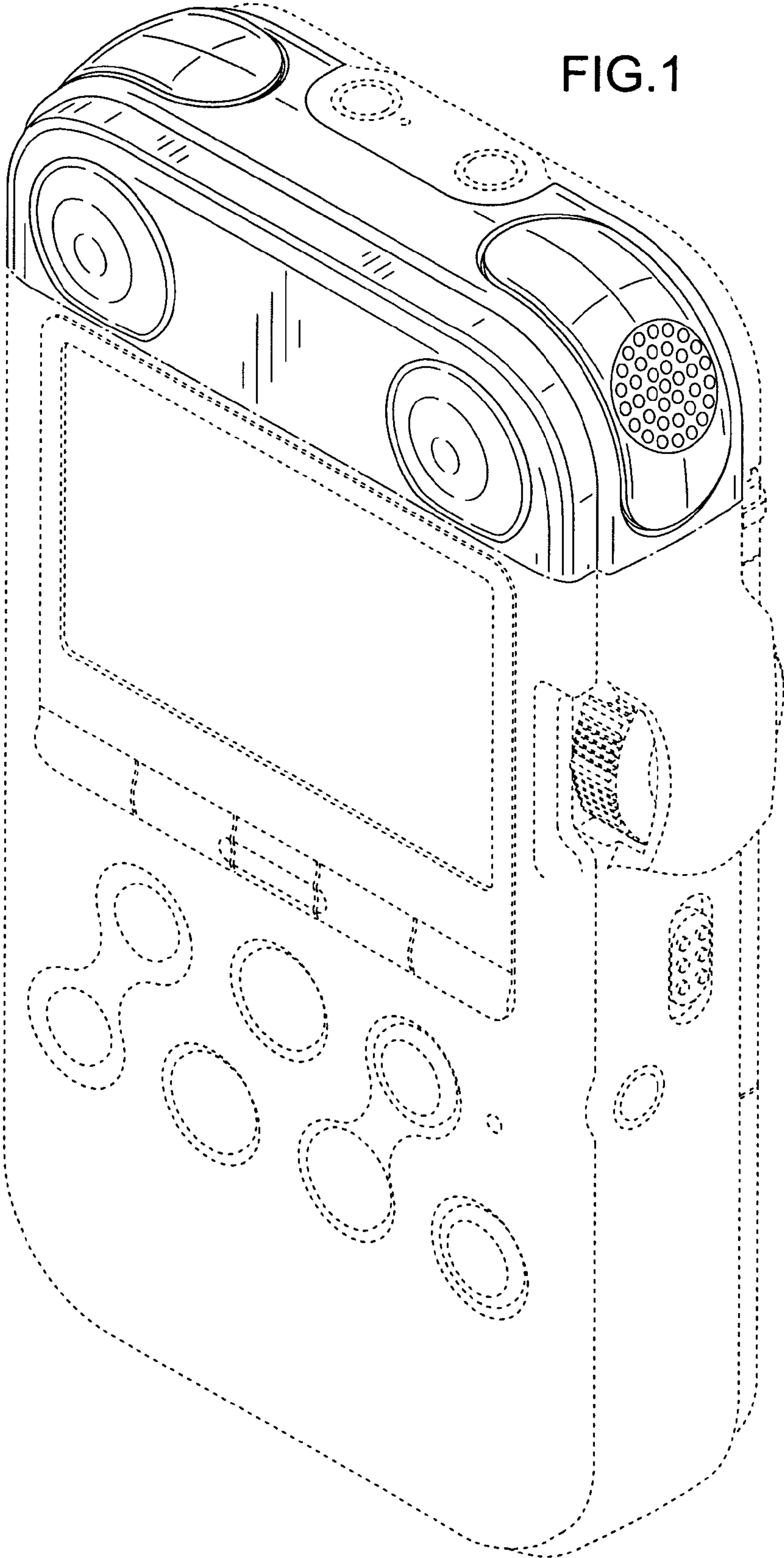


FIG.2

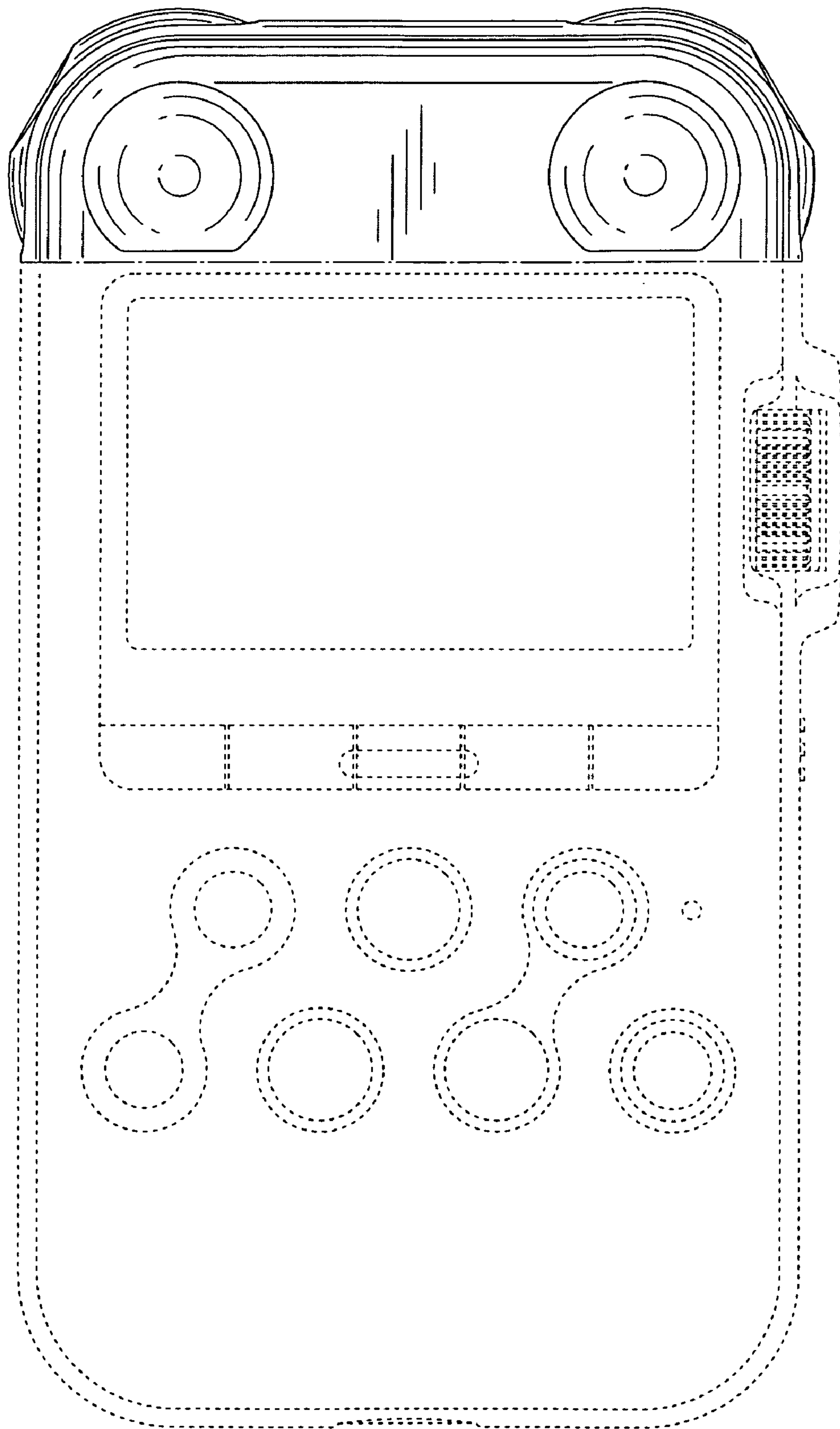


FIG.3

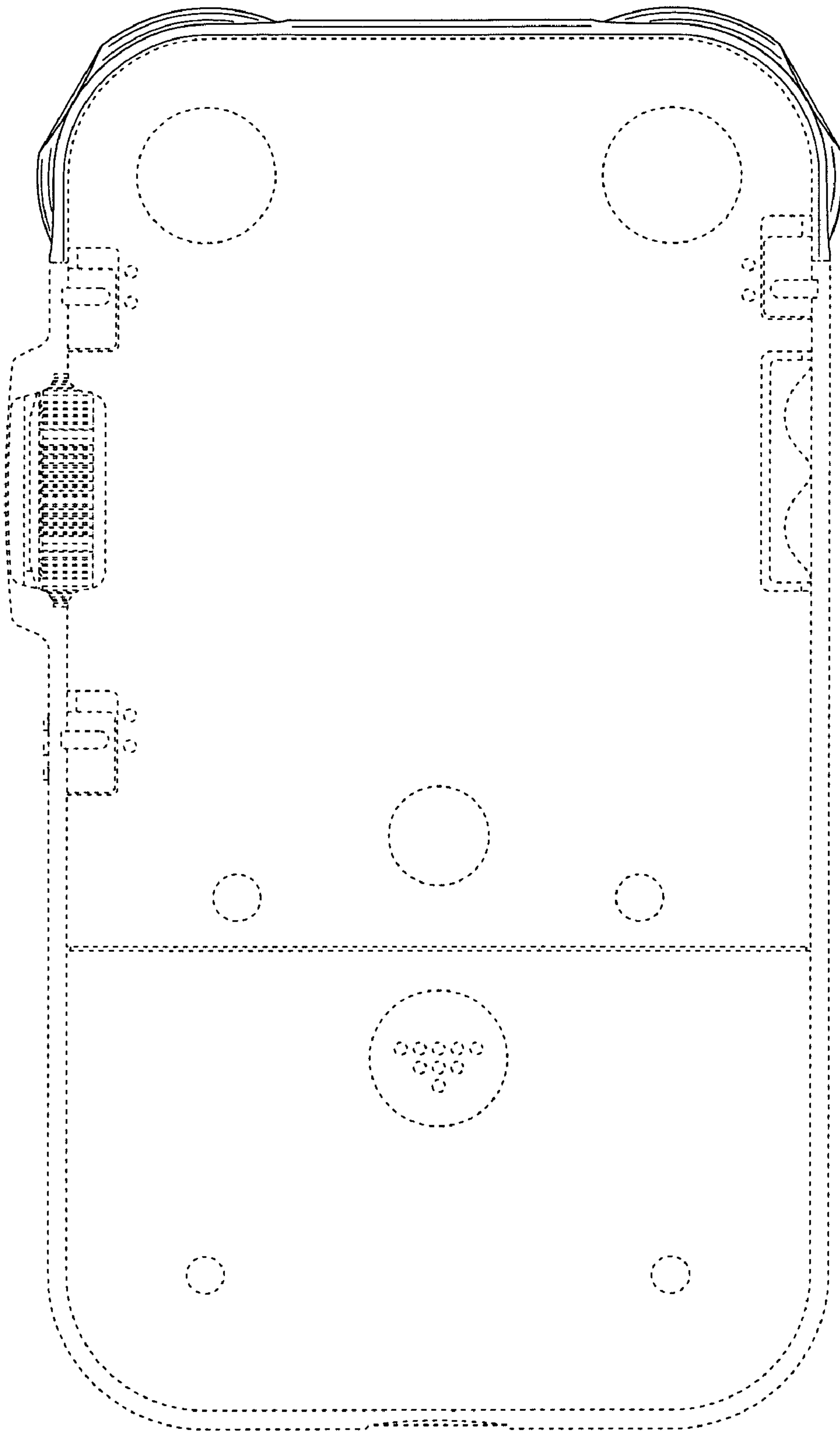




FIG.4

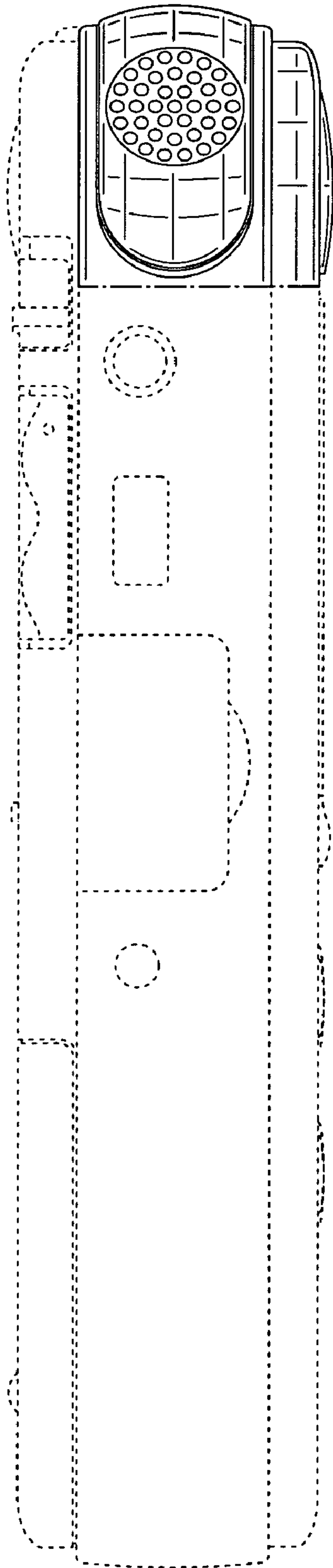


FIG.5

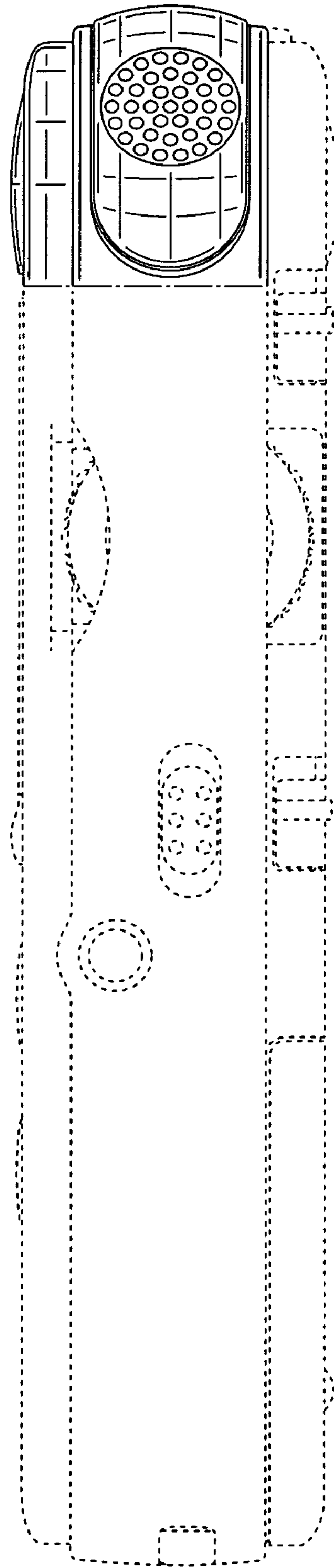


FIG.6

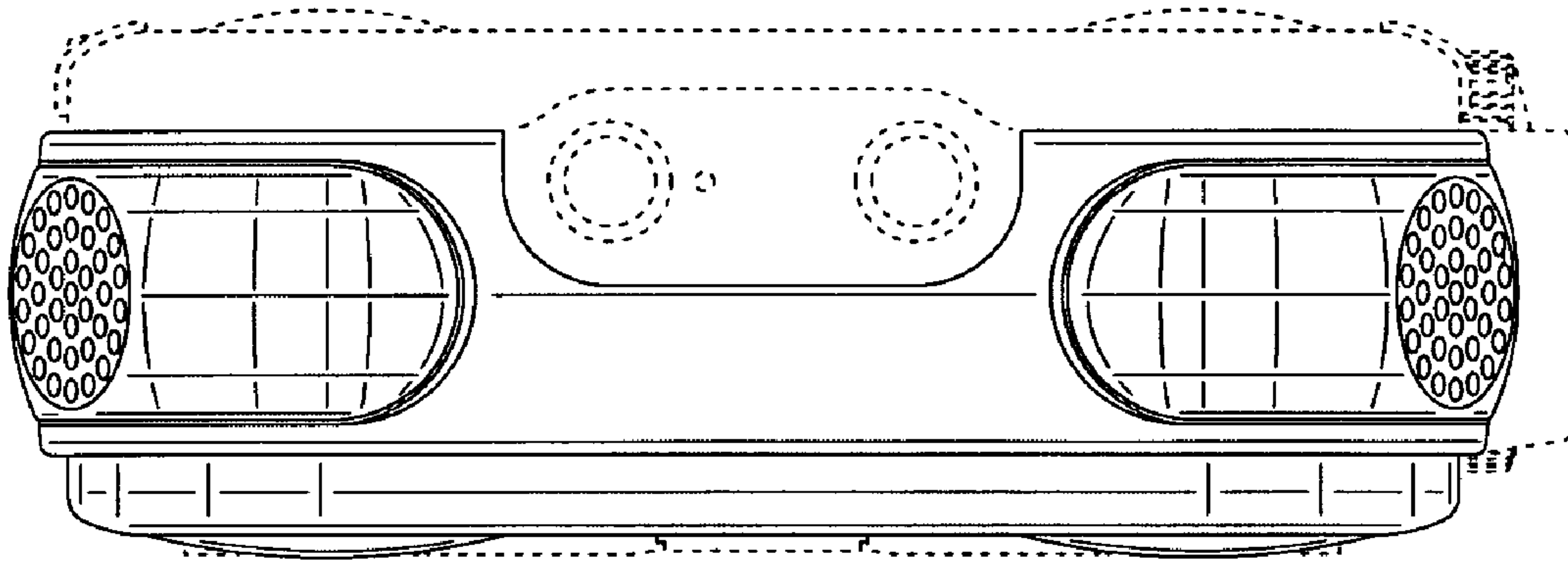


FIG.7

