

US00D623162S

(12) **United States Design Patent**  
**Heo**

(10) **Patent No.:** **US D623,162 S**  
(45) **Date of Patent:** **\*\* Sep. 7, 2010**

(54) **MOBILE PHONE**

(75) Inventor: **Seung-Hyuck Heo**, Gwacheon-si (KR)

(73) Assignee: **Samsung Electronics Co., Ltd.** (KR)

(\*\*) Term: **14 Years**

(21) Appl. No.: **29/351,056**

(22) Filed: **Nov. 30, 2009**

(30) **Foreign Application Priority Data**

Oct. 22, 2009 (KR) ..... 30-2009-0046605

(51) **LOC (9) Cl.** ..... **14-03**

(52) **U.S. Cl.** ..... **D14/138 AD**

(58) **Field of Classification Search** ..... D14/138 R,  
D14/138 AD, 138 AC, 138 C, 138 G, 191,  
D14/203.1–203.8, 496, 138 AA, 138 AB,  
D14/247–248, 137, 147, 218, 341–347;  
D10/65, 78, 104; D13/168; D18/7; 455/566,  
455/575.1, 575.3

See application file for complete search history.

(56) **References Cited**

**U.S. PATENT DOCUMENTS**

D529,465 S \* 10/2006 Kim et al. .... D14/138 AD  
D544,459 S \* 6/2007 Wang ..... D14/138 AD  
D555,620 S \* 11/2007 Lee et al. .... D14/138 AD  
D557,671 S \* 12/2007 Kim et al. .... D14/138 AD  
D558,714 S \* 1/2008 Kim et al. .... D14/138 AD  
D558,725 S \* 1/2008 Wang ..... D14/138 AD  
D560,199 S \* 1/2008 Lee et al. .... D14/138 AD  
D561,727 S \* 2/2008 Suk et al. .... D14/138 AD  
D562,294 S \* 2/2008 Bang et al. .... D14/138 AD  
D569,834 S \* 5/2008 Suk et al. .... D14/138 AD  
D569,835 S \* 5/2008 Han et al. .... D14/138 AD  
D569,836 S \* 5/2008 Han et al. .... D14/138 AD  
7,386,331 B2 \* 6/2008 Hyun et al. .... 455/575.4  
D572,695 S \* 7/2008 Tu ..... D14/138 AD  
D582,369 S \* 12/2008 Jeoung et al. .... D14/138 AD  
D582,382 S \* 12/2008 Kim ..... D14/138 AD  
D597,516 S \* 8/2009 Kim ..... D14/138 AD  
D599,317 S \* 9/2009 Park ..... D14/138 AB

D601,532 S \* 10/2009 Park et al. .... D14/138 AD  
D603,822 S \* 11/2009 Ho et al. .... D14/138 AD  
D605,155 S \* 12/2009 Cha et al. .... D14/138 AD  
D609,680 S \* 2/2010 Kim et al. .... D14/138 AD  
D609,681 S \* 2/2010 Cho et al. .... D14/138 AD  
D611,447 S \* 3/2010 Kim et al. .... D14/138 AD  
2007/0155447 A1 \* 7/2007 Gordecki ..... 455/575.4  
2009/0172605 A1 \* 7/2009 Ahn ..... 715/858

**OTHER PUBLICATIONS**

Acer beTouch E100, announced Oct. 2009, [online], [retrieved on Oct. 28, 2009]. Retrieved from Internet ,<URL: http://www.gsmarena.com>.\*

Alcatel Elle No. 3, announced Feb. 2007, [online], [retrieved on Feb. 16, 2007]. Retrieved from Internet ,<URL: http://www.gsmarena.com>.\*

(Continued)

*Primary Examiner*—Jeffrey D Asch

*Assistant Examiner*—Bridget L Eland

(74) *Attorney, Agent, or Firm*—Cantor Colburn LLP

(57)

**CLAIM**

I claim, the ornamental design for a mobile phone, as shown and described.

**DESCRIPTION**

FIG. 1 is a perspective view of a mobile phone, showing my new design;

FIG. 2 is a front elevational view thereof;

FIG. 3 is a rear elevational view thereof;

FIG. 4 is a left side elevational view thereof;

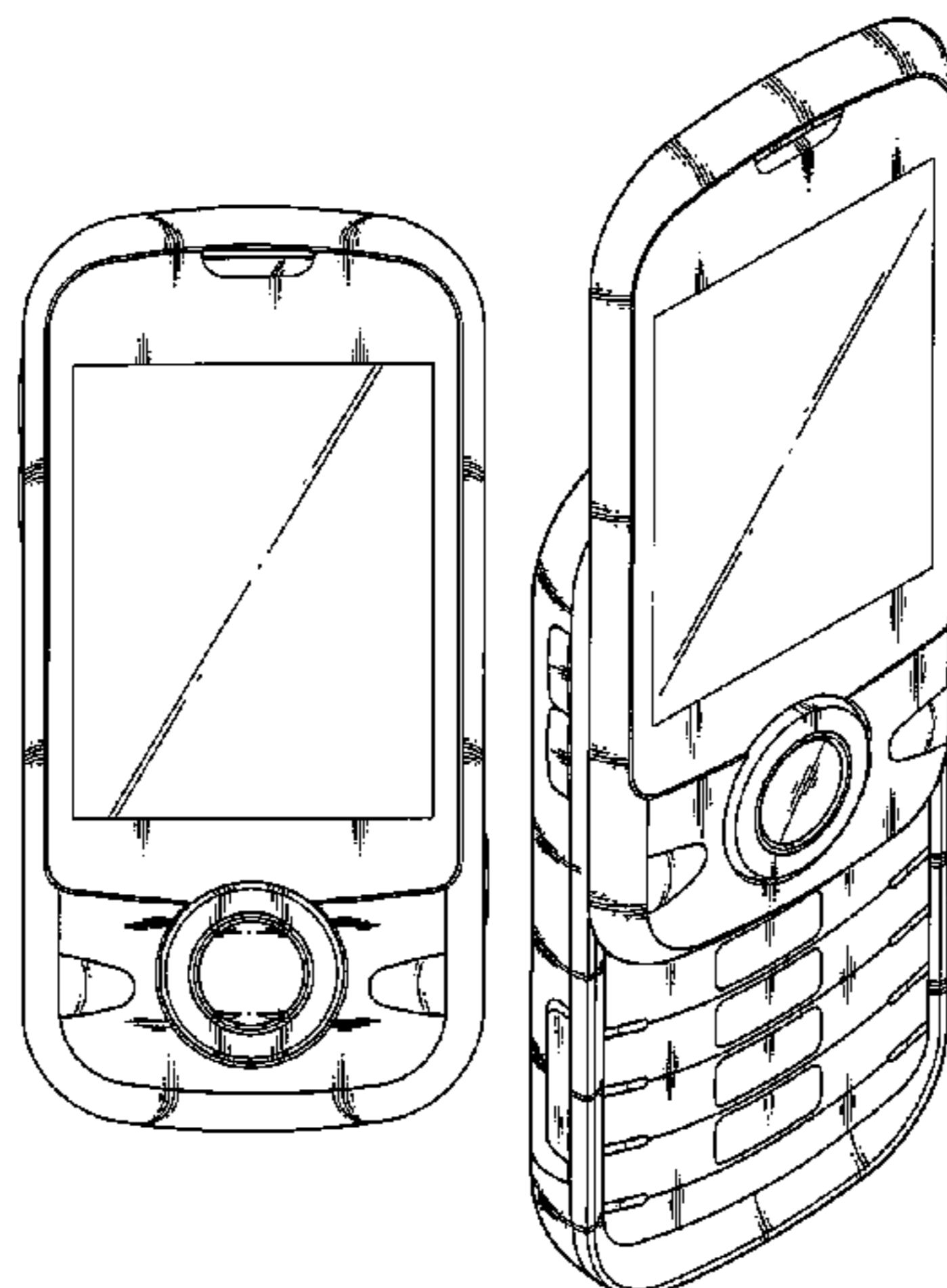
FIG. 5 is a right side elevational view thereof;

FIG. 6 is a top plan view thereof;

FIG. 7 is a bottom plan view thereof; and,

FIG. 8 is a perspective view of the mobile phone of FIG. 1, in an alternate, opened position.

**1 Claim, 5 Drawing Sheets**



OTHER PUBLICATIONS

HTC Touch Cruise 09, announced Jan. 2009, [online], [retrieved on Jan. 23, 2009]. Retrieved from Internet ,<URL: <http://www.gsmarena.com>>.\*

ZTE F600, announced 2009, [online], [retrieved on Feb. 1, 2010]. Retrieved from Internet ,<URL: <http://www.gsmarena.com>>.\*

Samsung i710, announced Feb. 2007, [online], [retrieved on May 18, 2007]. Retrieved from Internet ,<URL: <http://www.gsmarena.com>>.\*

Samsung i400, announced Apr. 2007, [online], [retrieved on May 18, 2007]. Retrieved from Internet ,<URL: <http://www.gsmarena.com>>.\*

\* cited by examiner

FIG. 1

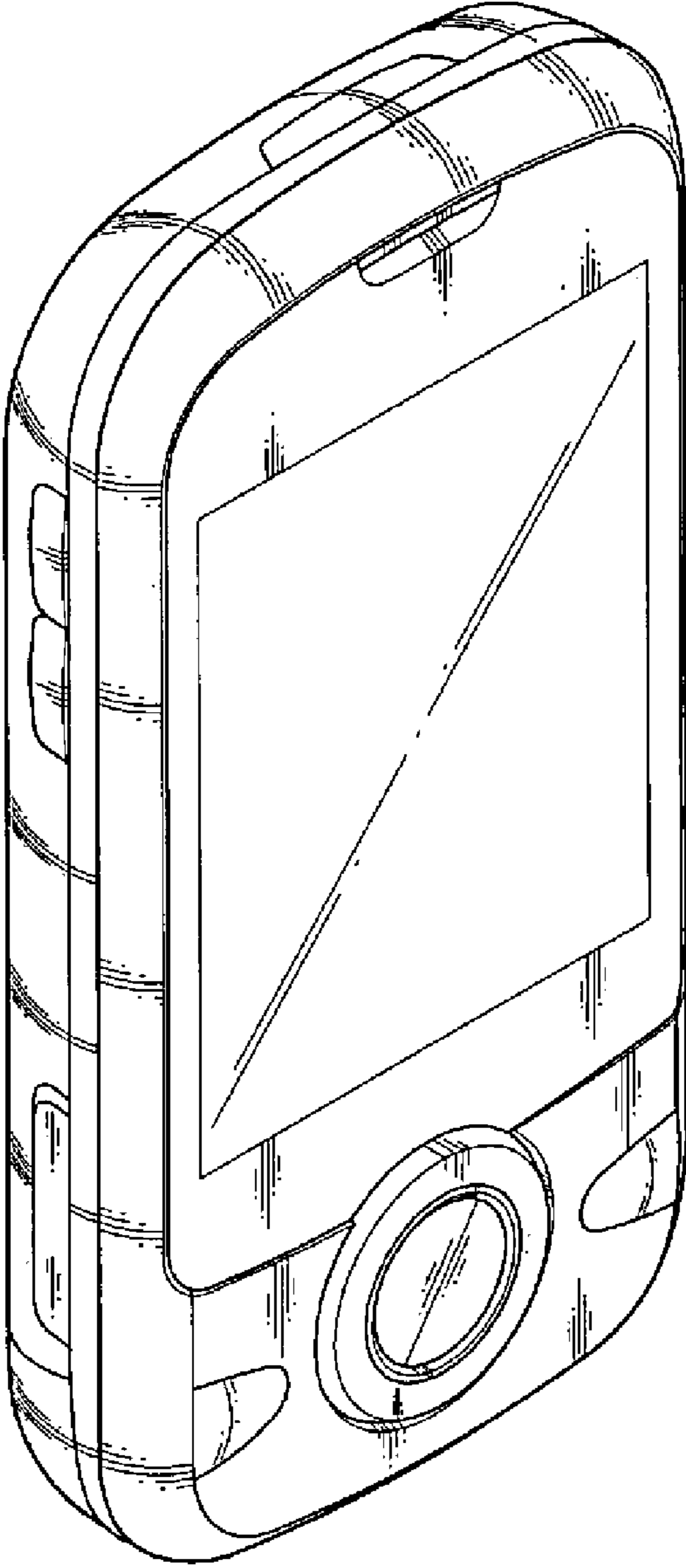


FIG. 2

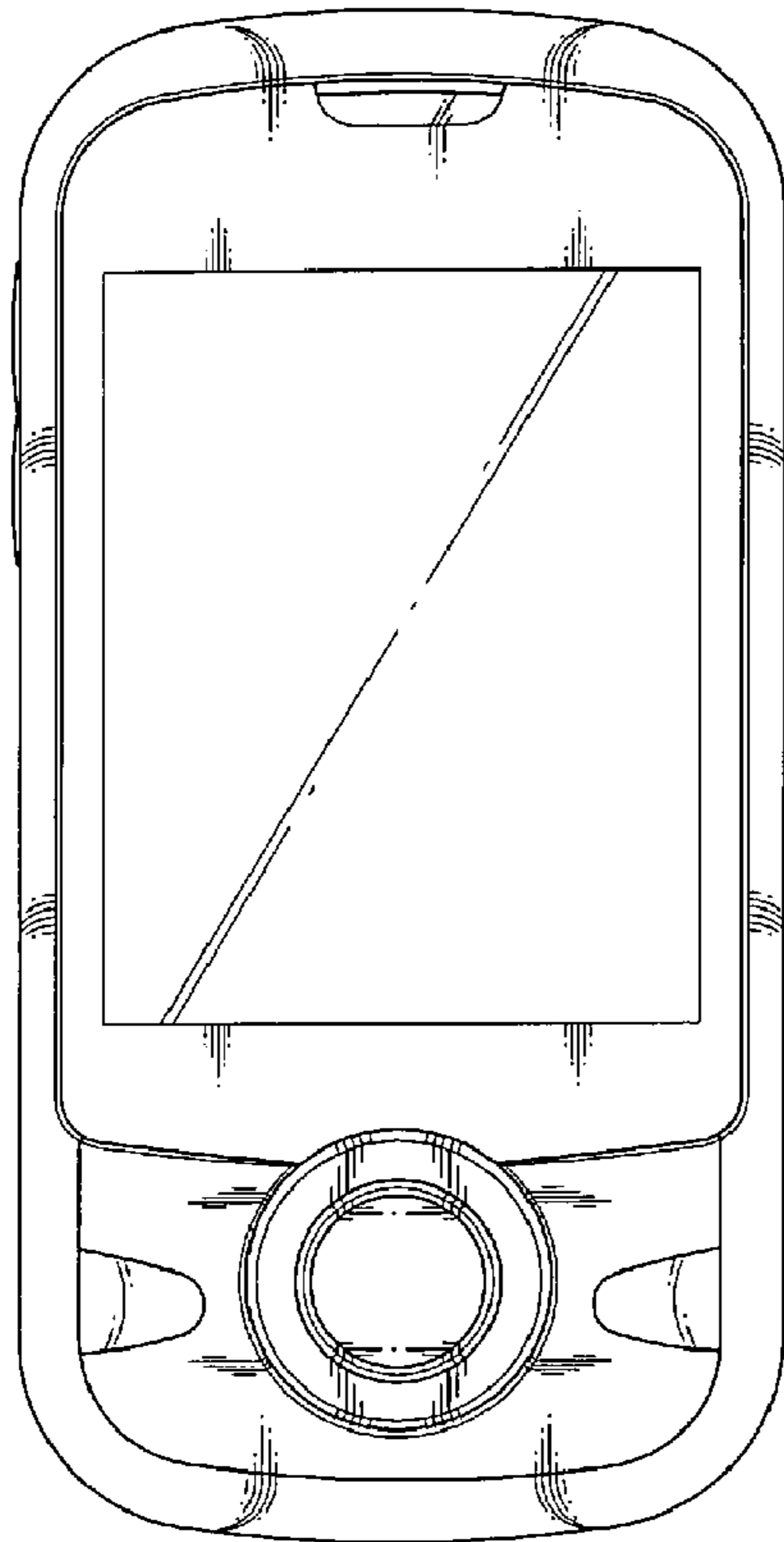


FIG. 3

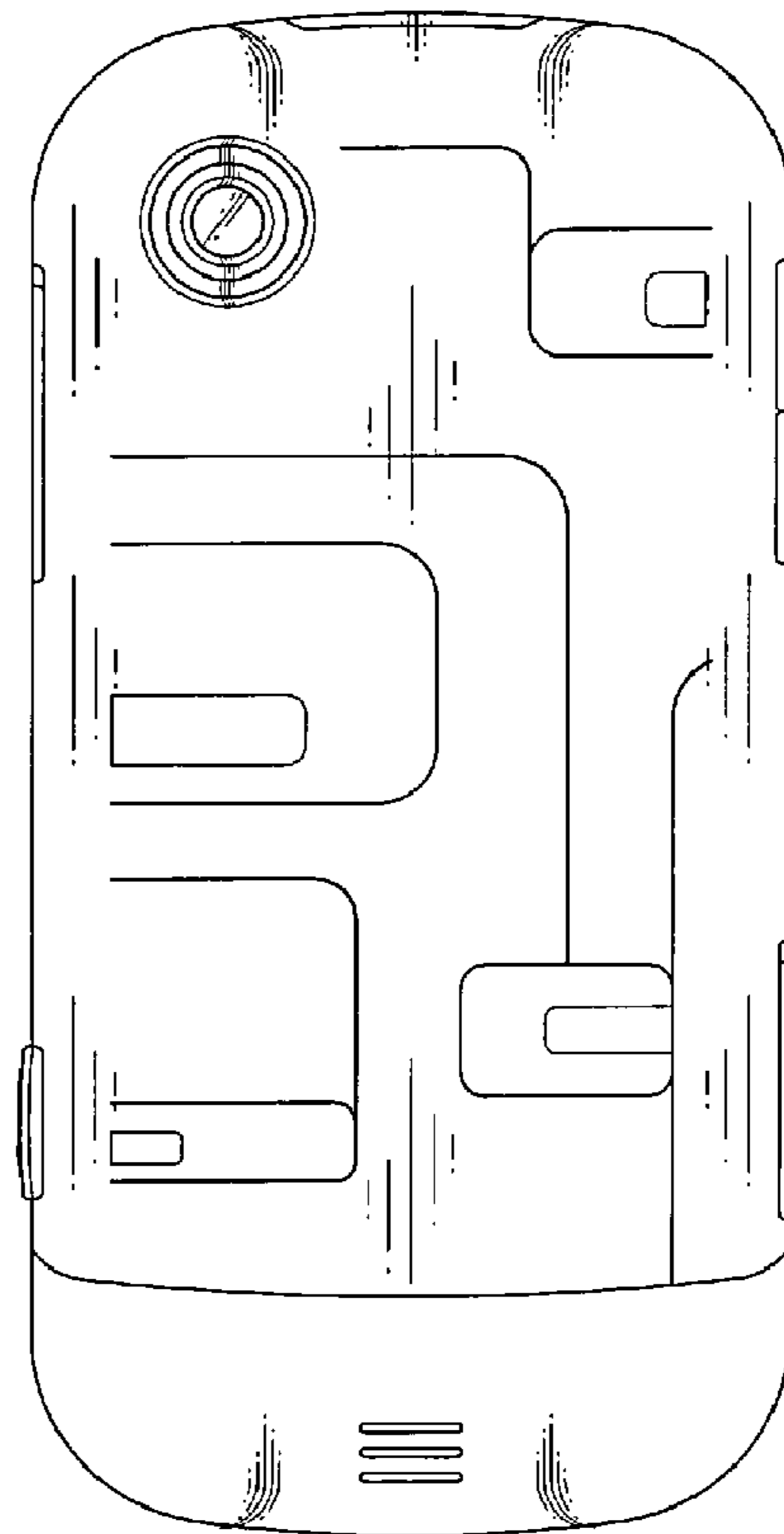


FIG. 4

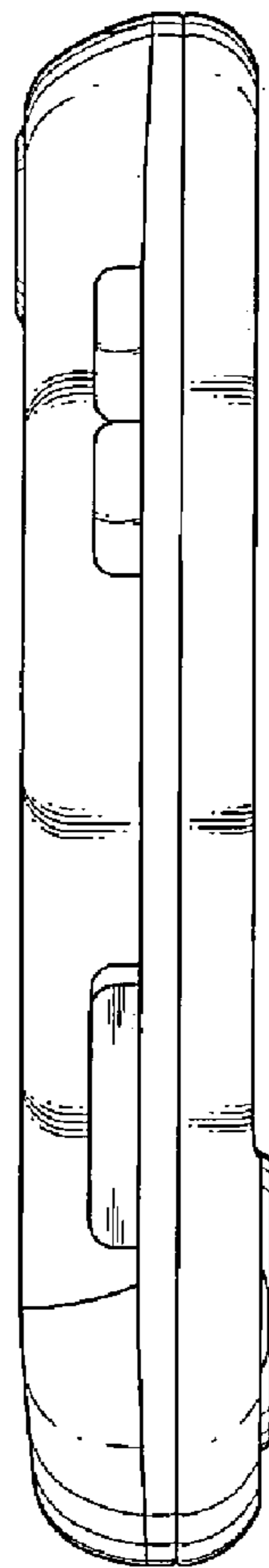


FIG. 5

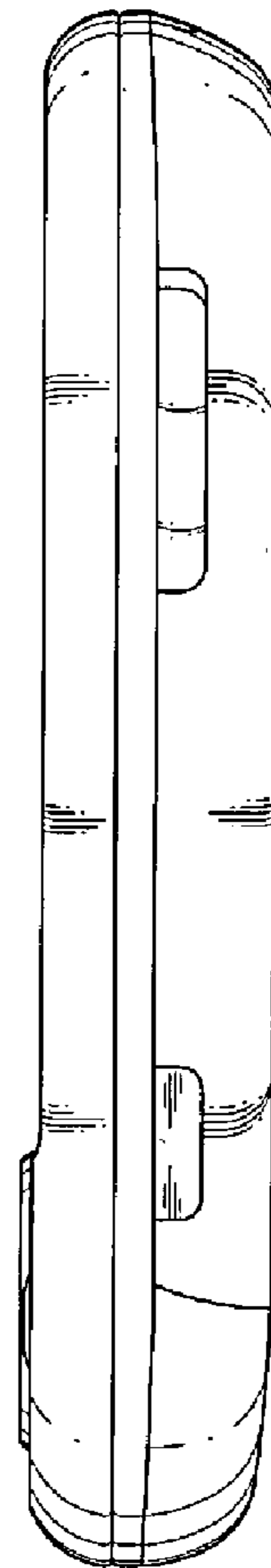


FIG. 6

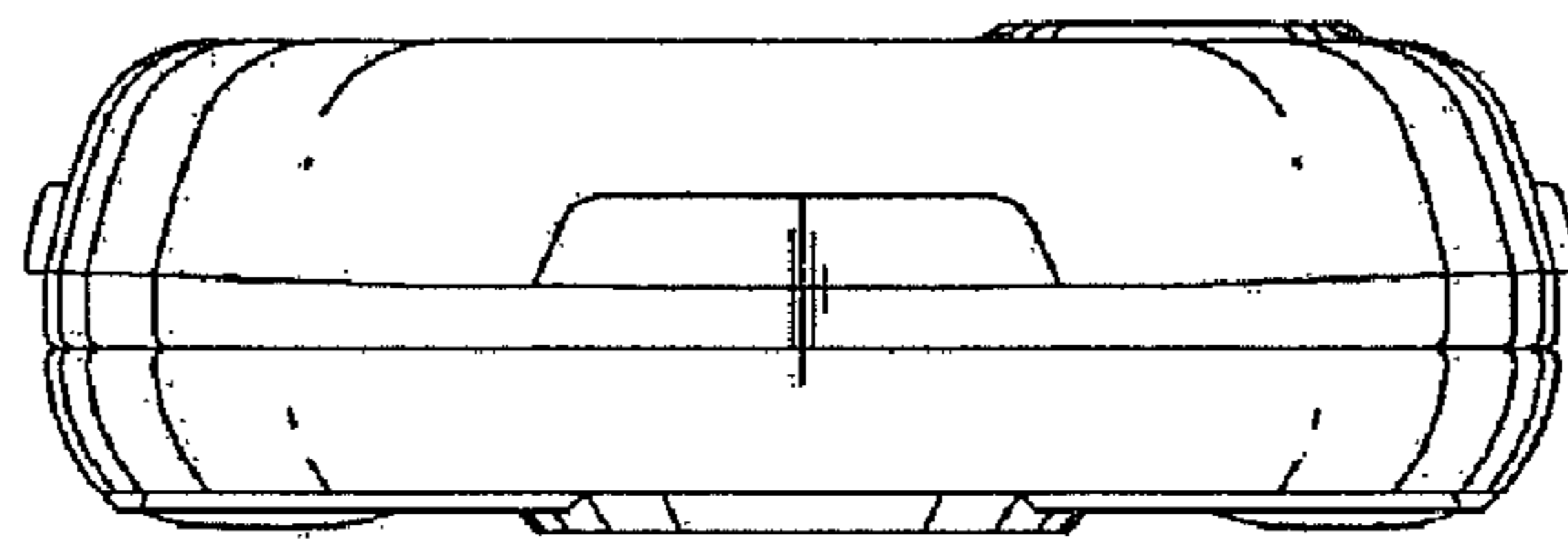


FIG. 7

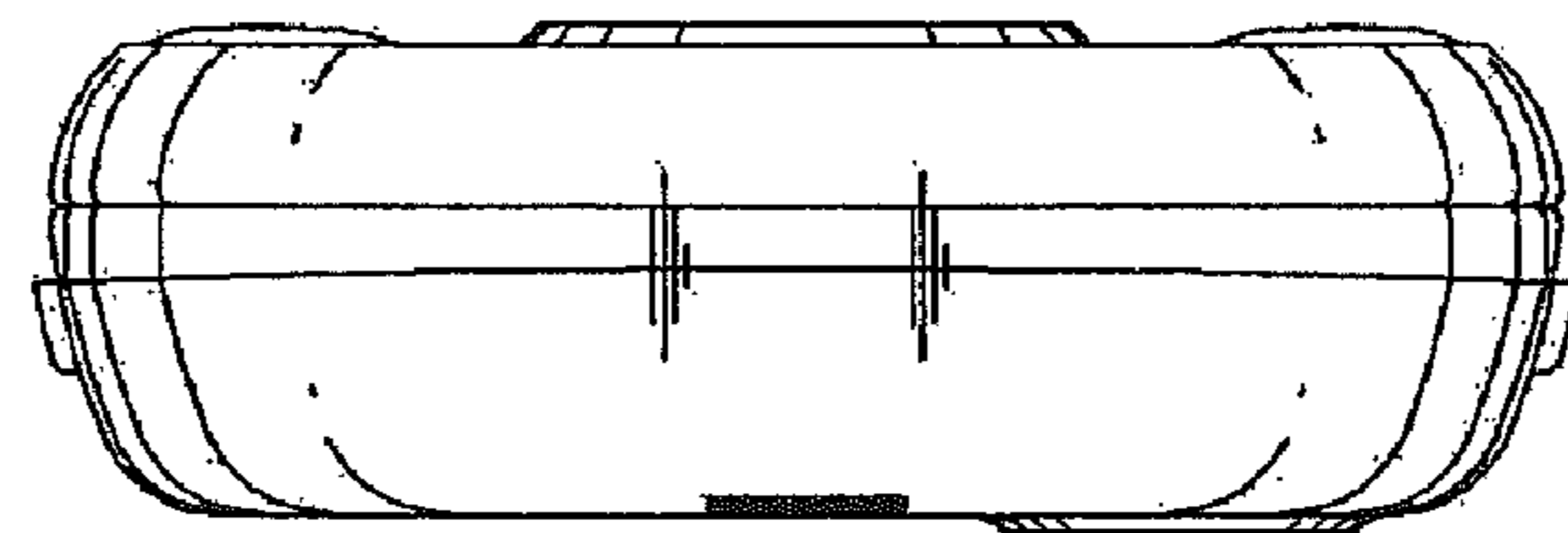


FIG. 8

