



US00D623158S

(12) **United States Design Patent**
Hunt

(10) **Patent No.:** **US D623,158 S**
(45) **Date of Patent:** **** Sep. 7, 2010**

(54) **MOBILE PHONE**

D613,720 S * 4/2010 Kim et al. D14/138 AB

(75) Inventor: **Charles C. Hunt**, Wake Forest, NC (US)

(73) Assignee: **Sony Ericsson Mobile Communications AB**, Lund (SE)

(**) Term: **14 Years**

(21) Appl. No.: **29/337,950**

(22) Filed: **Jun. 2, 2009**

(51) **LOC (9) Cl.** **14-03**

(52) **U.S. Cl.** **D14/138 AB**

(58) **Field of Classification Search** D14/138 AB,
D14/496, 341, 345, 346, 203.3, 203.4, 203.7;
455/575.3; D21/517; 379/433.13
See application file for complete search history.

(56) **References Cited**

U.S. PATENT DOCUMENTS

D415,152 S *	10/1999	Koo	D14/138 AB
D450,046 S *	11/2001	Chun	D14/138 AB
D462,064 S *	8/2002	Kim	D14/138 AB
D500,480 S *	1/2005	Daw	D14/138 AB
D505,933 S *	6/2005	Lodato et al.	D14/138 AB
D506,737 S *	6/2005	Koo et al.	D14/138 AB
D513,505 S *	1/2006	Lee	D14/138 AB
D516,532 S *	3/2006	Hunt et al.	D14/138 AB
D518,462 S *	4/2006	Baik et al.	D14/138 AB
D525,230 S *	7/2006	Kim et al.	D14/138 AB
D535,960 S *	1/2007	Kim et al.	D14/138 AB
D537,059 S *	2/2007	Hwang	D14/138 AB
D539,772 S *	4/2007	Park et al.	D14/138 AB
D543,965 S *	6/2007	Lee et al.	D14/138 AB
D546,795 S *	7/2007	Kim et al.	D14/138 AB
D551,643 S *	9/2007	Kim et al.	D14/138 AB
D562,790 S *	2/2008	Hering et al.	D14/138 AB
D563,927 S *	3/2008	Kim et al.	D14/138 AB
D569,822 S *	5/2008	Laine	D14/138 AB
D572,687 S *	7/2008	Kim et al.	D14/138 AB
D584,277 S *	1/2009	Nishikawa	D14/138 AB
D607,430 S *	1/2010	Song et al.	D14/138 AB

OTHER PUBLICATIONS

Sony Ericsson Jalou telephone, announced Aug. 2009, [online], [site visited Jun. 18, 2010]. Available from Internet ,<URL: http://www.gsmarena.com>.*

NEC N910 telephone, announced 1st quarter 2004, [online], [site visited Jun. 18, 2010]. Available from Internet ,<URL: http://www.gsmarena.com>.*

Sewon SG-5000 telephone, announced 2002, [online], [site visited Jun. 18, 2010]. Available from Internet ,<URL: http://www.gsmarena.com>.*

Primary Examiner—Jeffrey D Asch

(74) *Attorney, Agent, or Firm*—Renner, Otto, Boisselle & Sklar, LLP

(57) **CLAIM**

The ornamental design for a mobile phone, as shown and described.

DESCRIPTION

FIG. 1 is a perspective view of a mobile phone in a closed position showing my design;

FIG. 2 is a front view thereof;

FIG. 3 is a rear view thereof;

FIG. 4 is a left side view thereof;

FIG. 5 is a right side view thereof;

FIG. 6 is a top view thereof;

FIG. 7 is a bottom view thereof;

FIG. 8 is a perspective view of the mobile phone in an open position;

FIG. 9 is a front view thereof;

FIG. 10 is a rear view thereof;

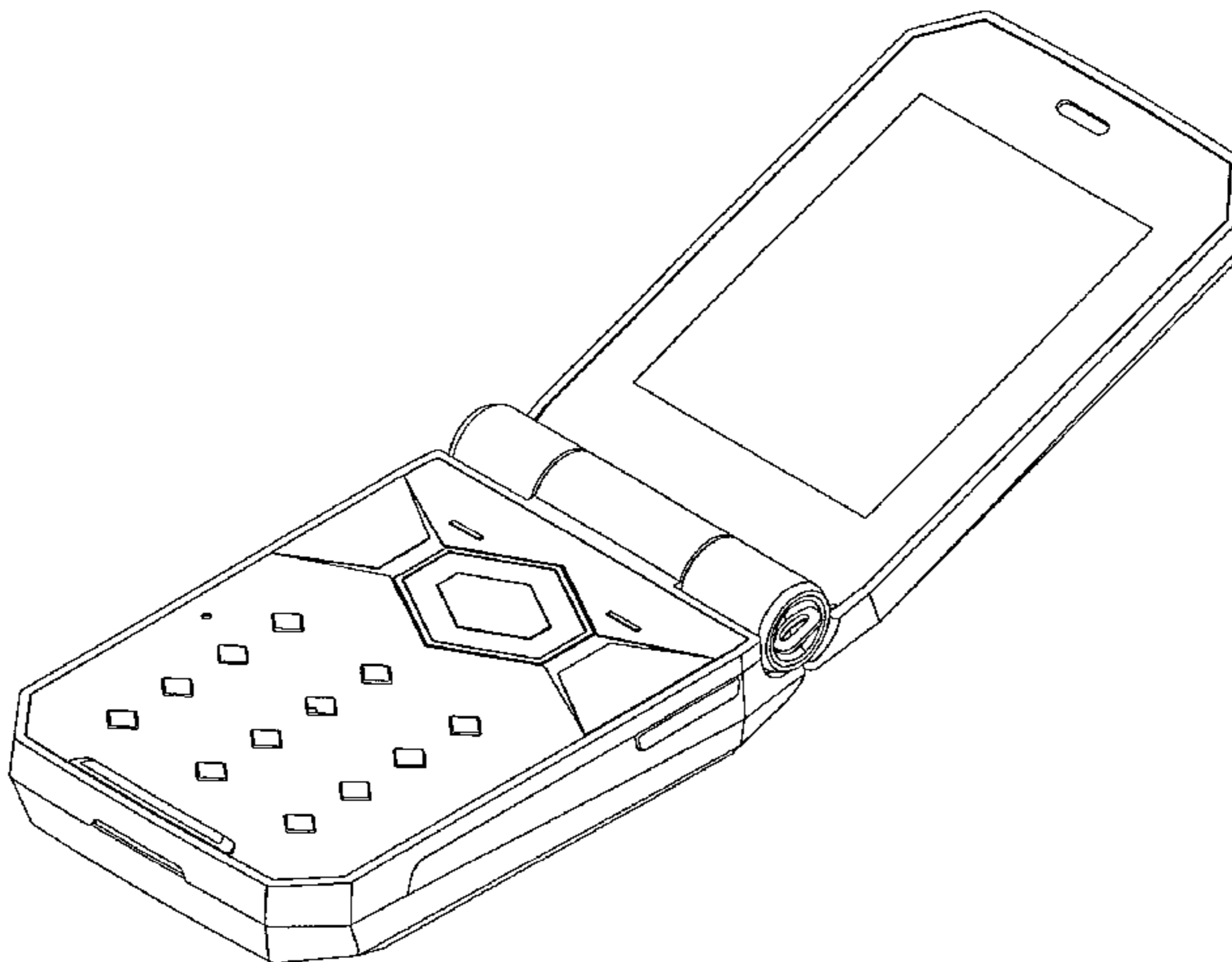
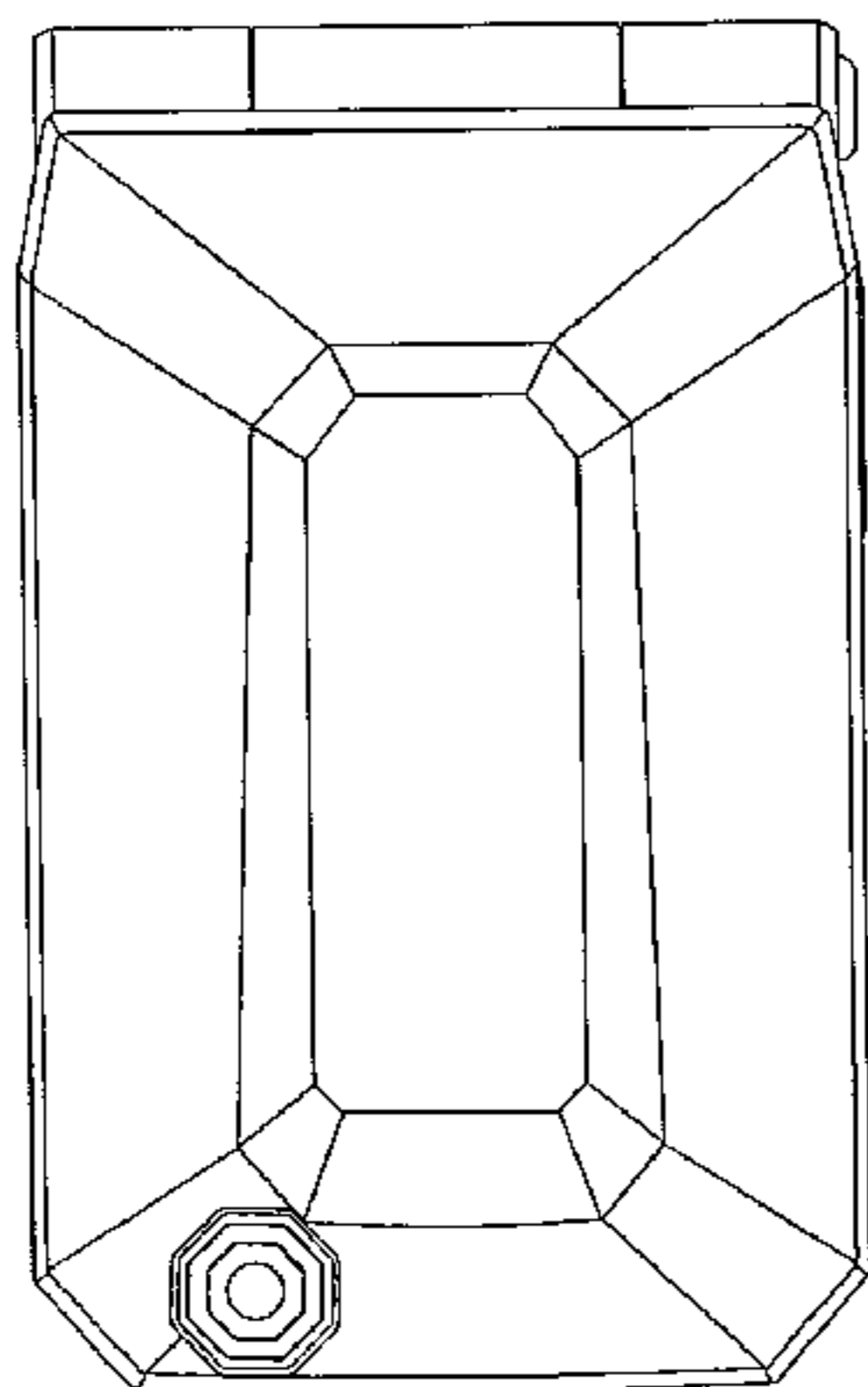
FIG. 11 is a left side view thereof;

FIG. 12 is a right side view thereof;

FIG. 13 is a top view thereof; and,

FIG. 14 is a bottom view thereof.

1 Claim, 8 Drawing Sheets



OTHER PUBLICATIONS

Amoi A102 telephone, announced 2007, [online], [site visited Jun. 18, 2010]. Available from Internet ,<URL: <http://www.gsmarena.com>>.*

Samsung S200 telephone, announced 2003, [online], [site visited Jun. 18, 2010]. Available from Internet ,<URL: <http://www.gsmarena.com>>.*

* cited by examiner

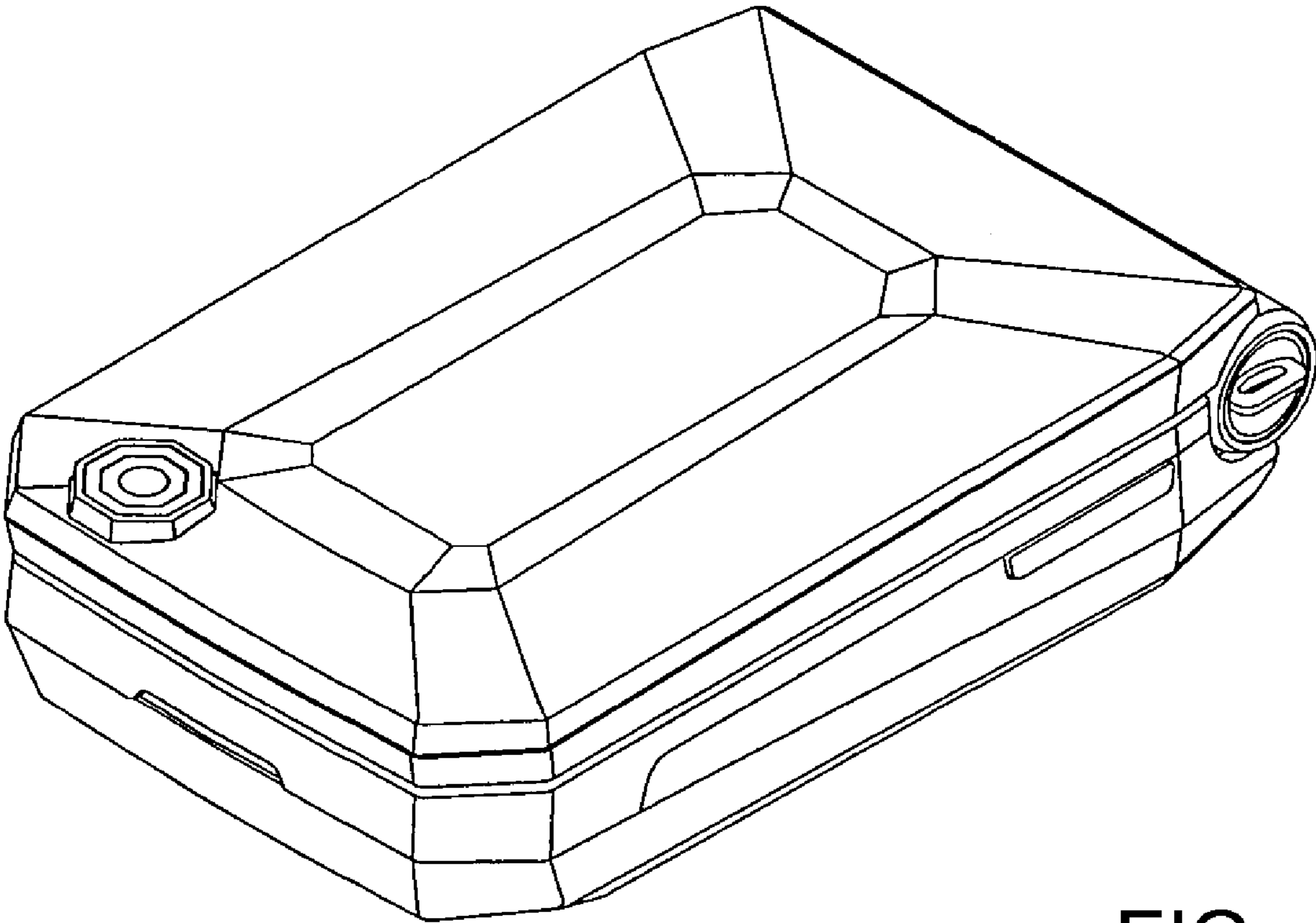


FIG. 1

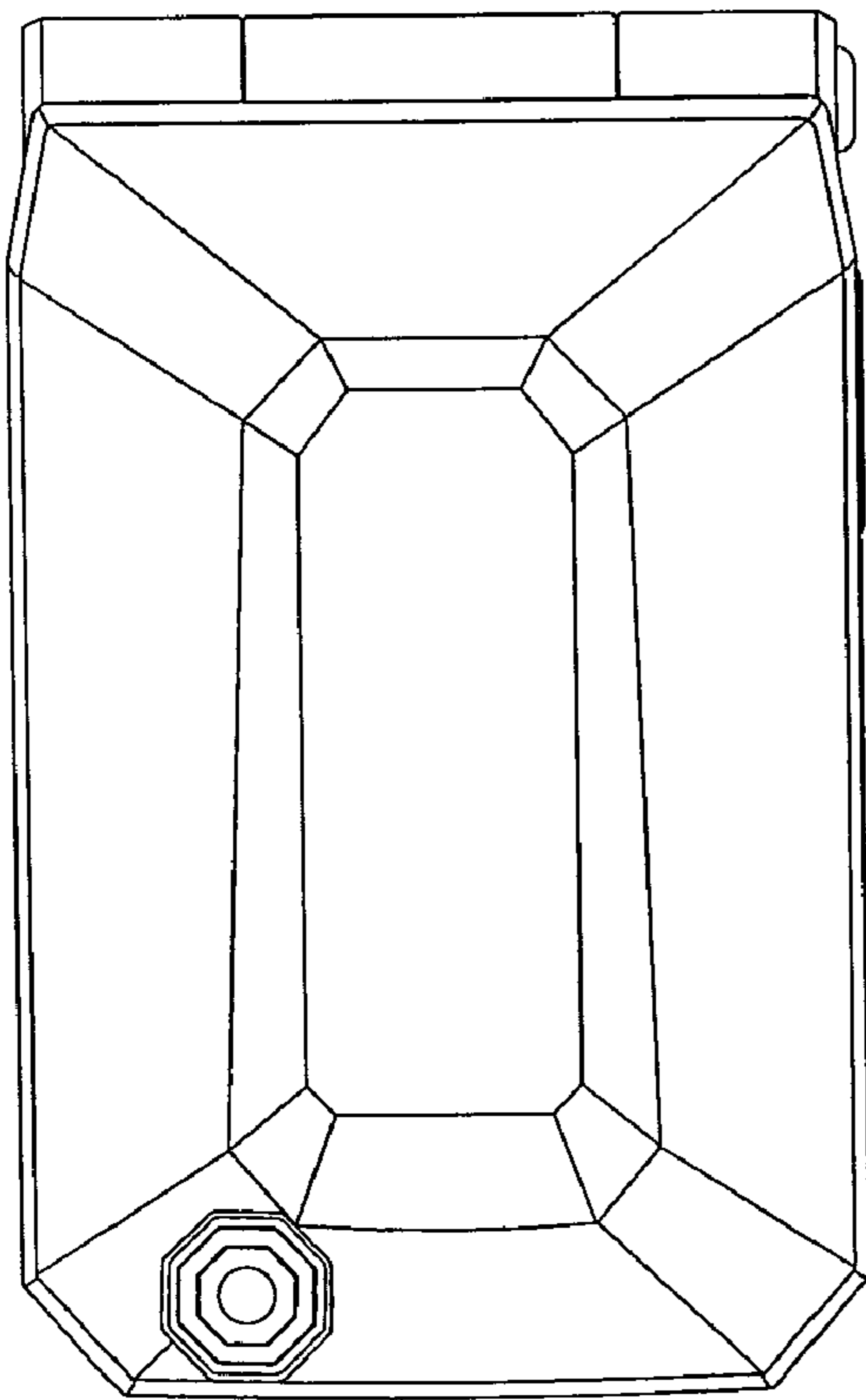


FIG. 2

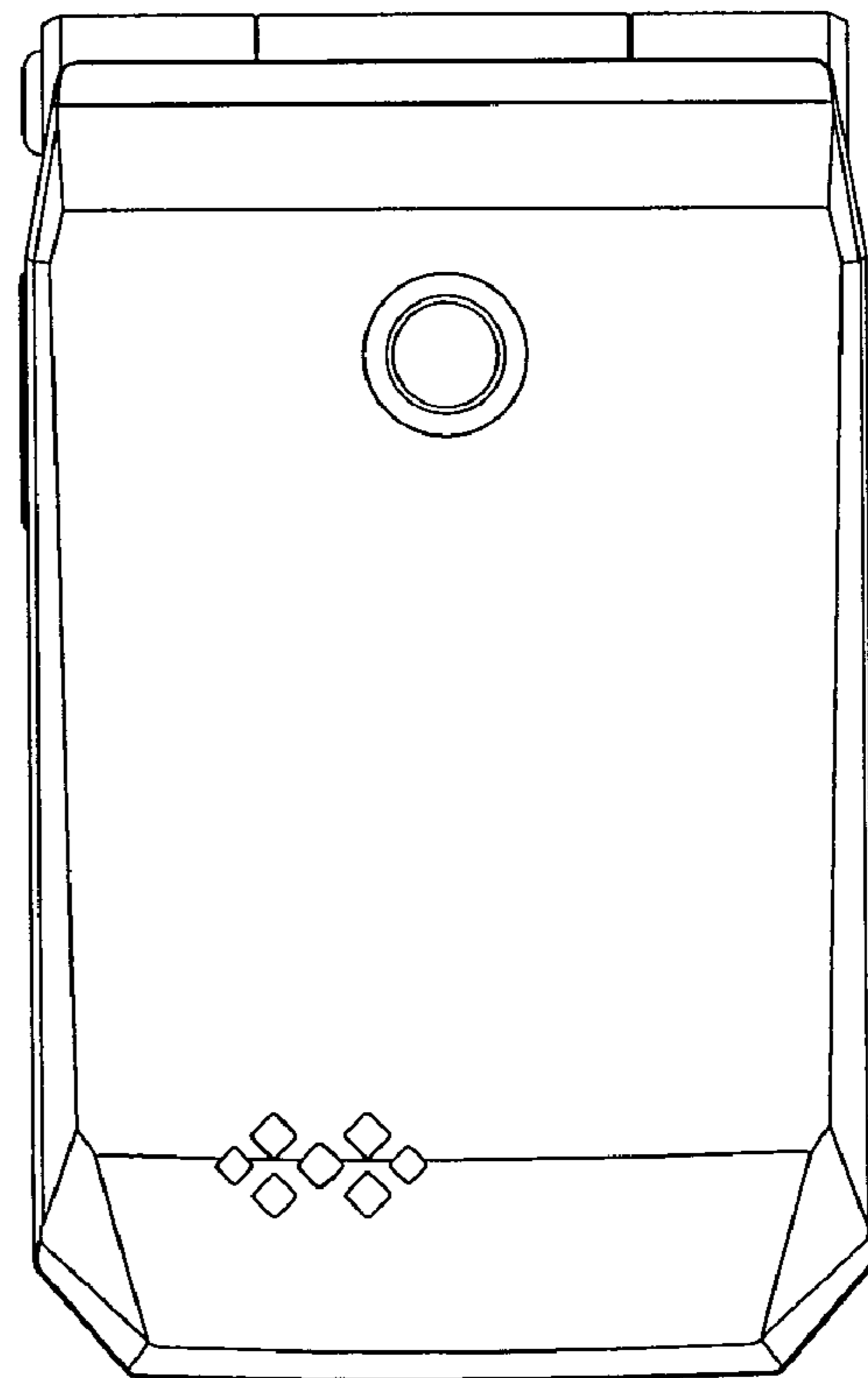


FIG. 3

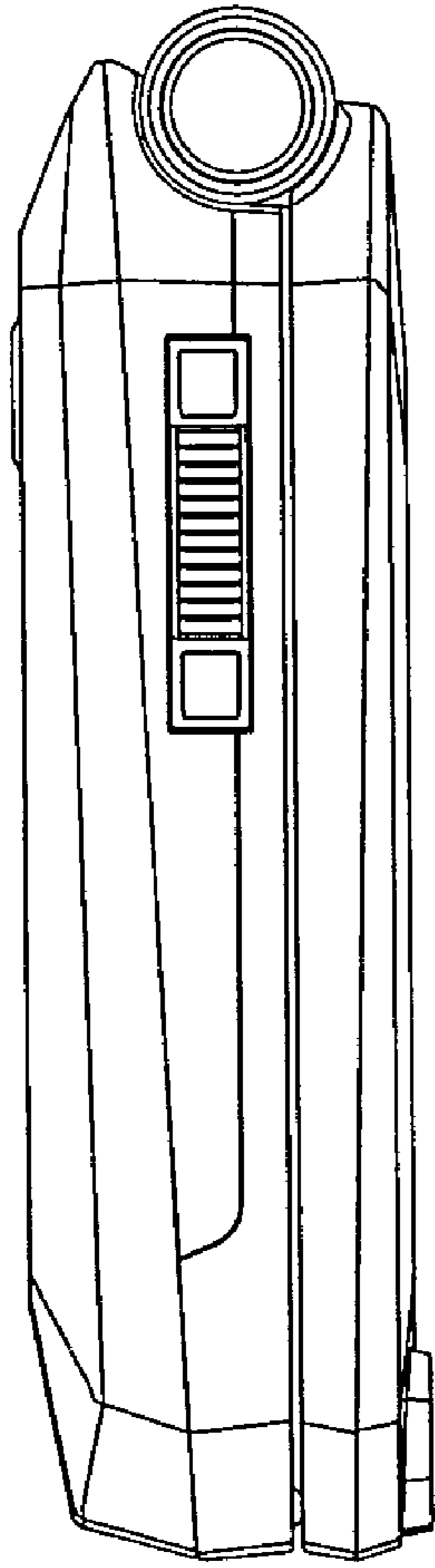


FIG. 4

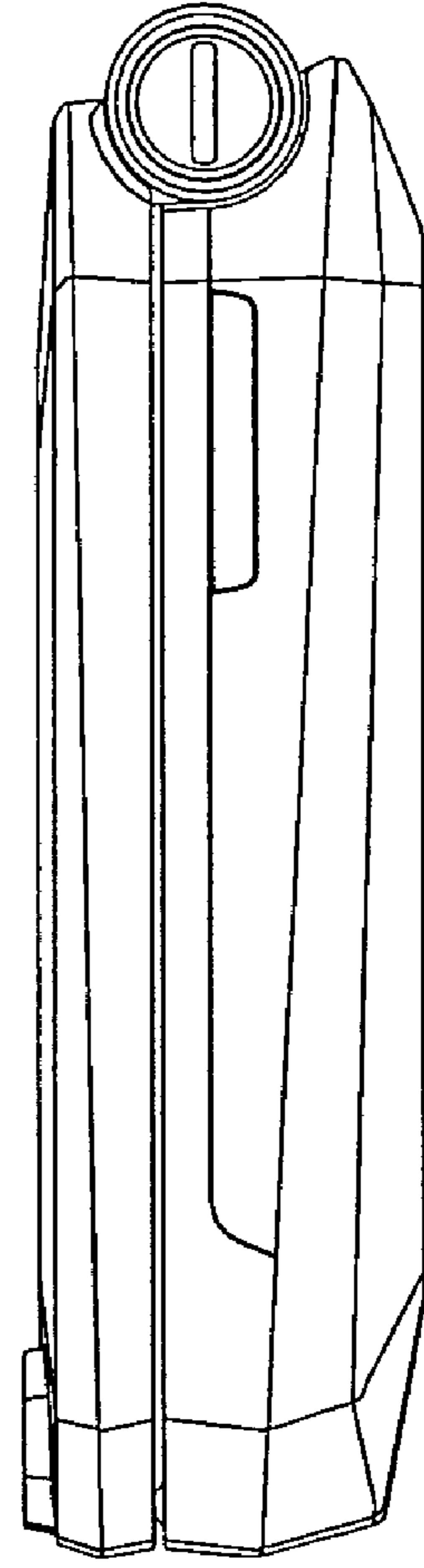


FIG. 5

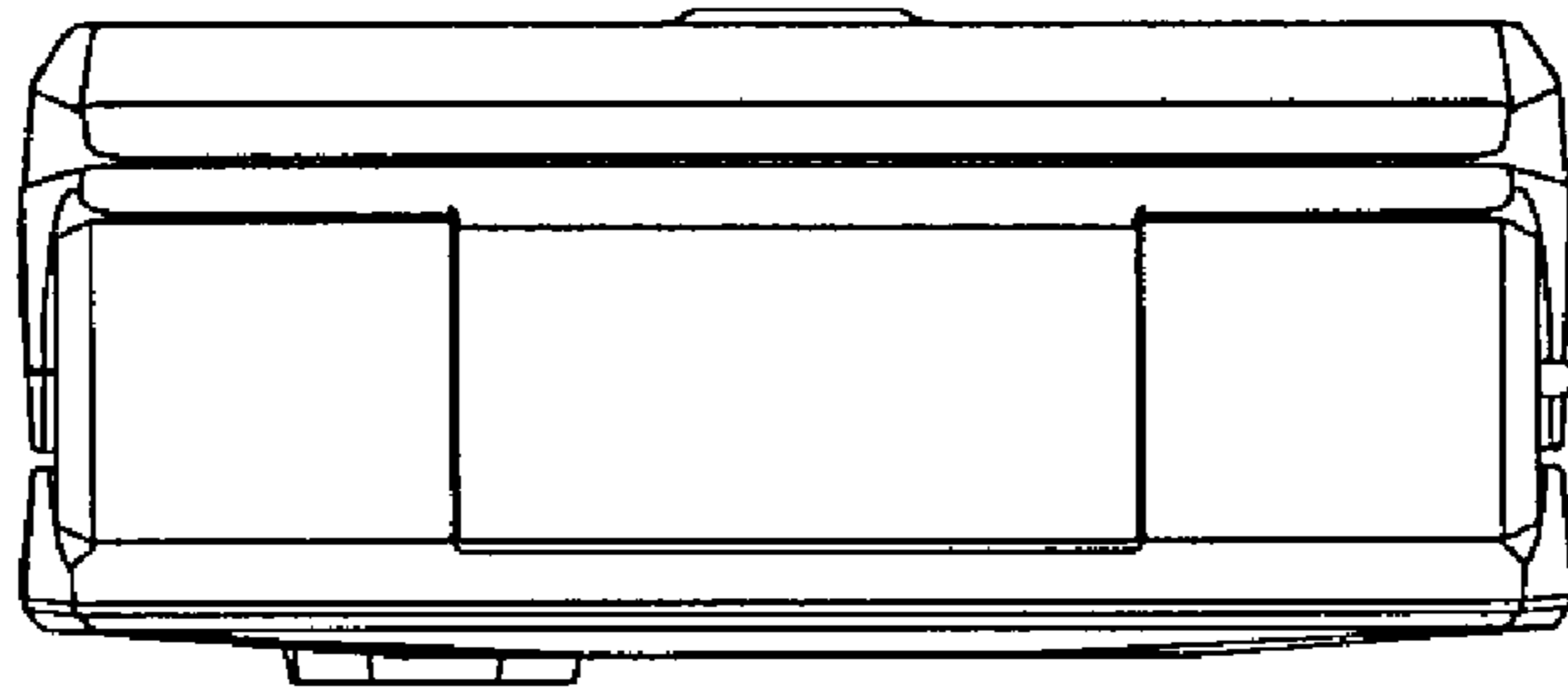


FIG. 6

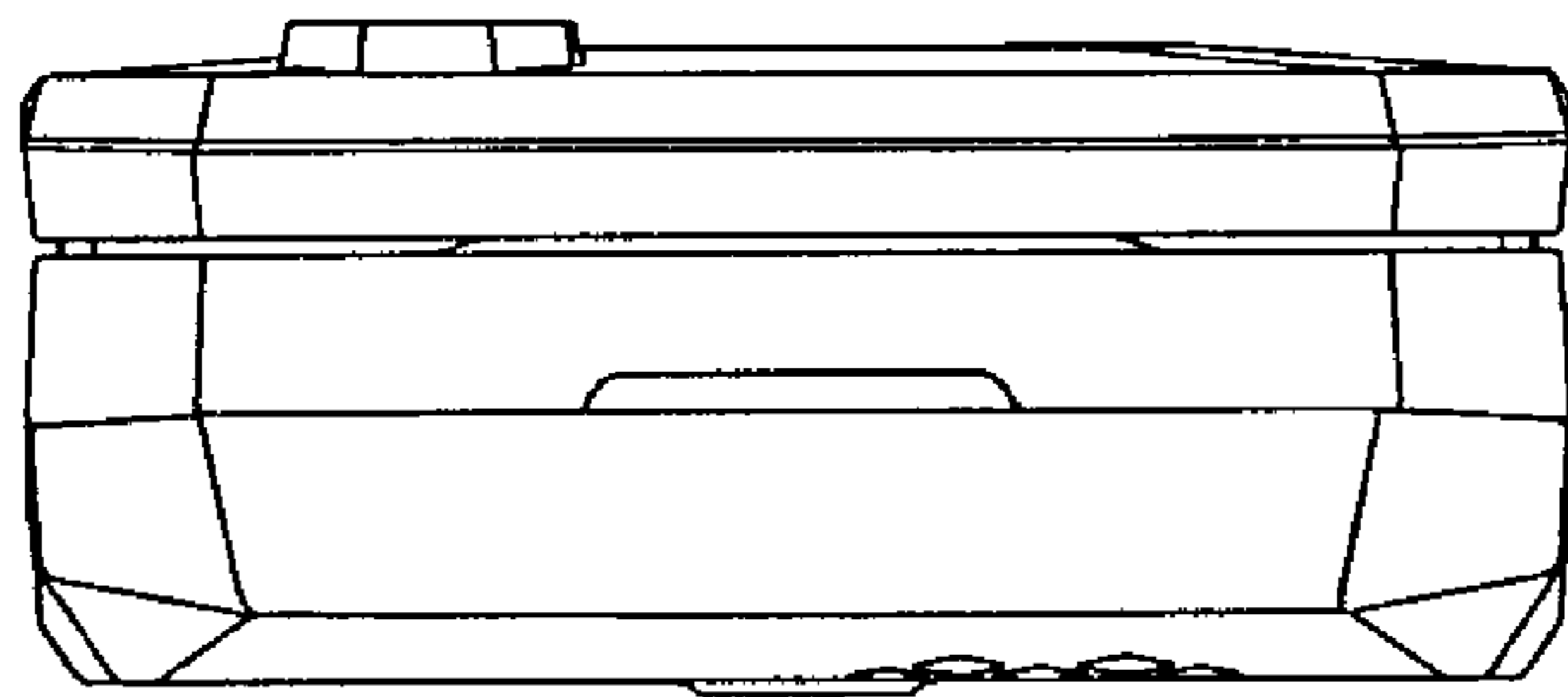


FIG. 7

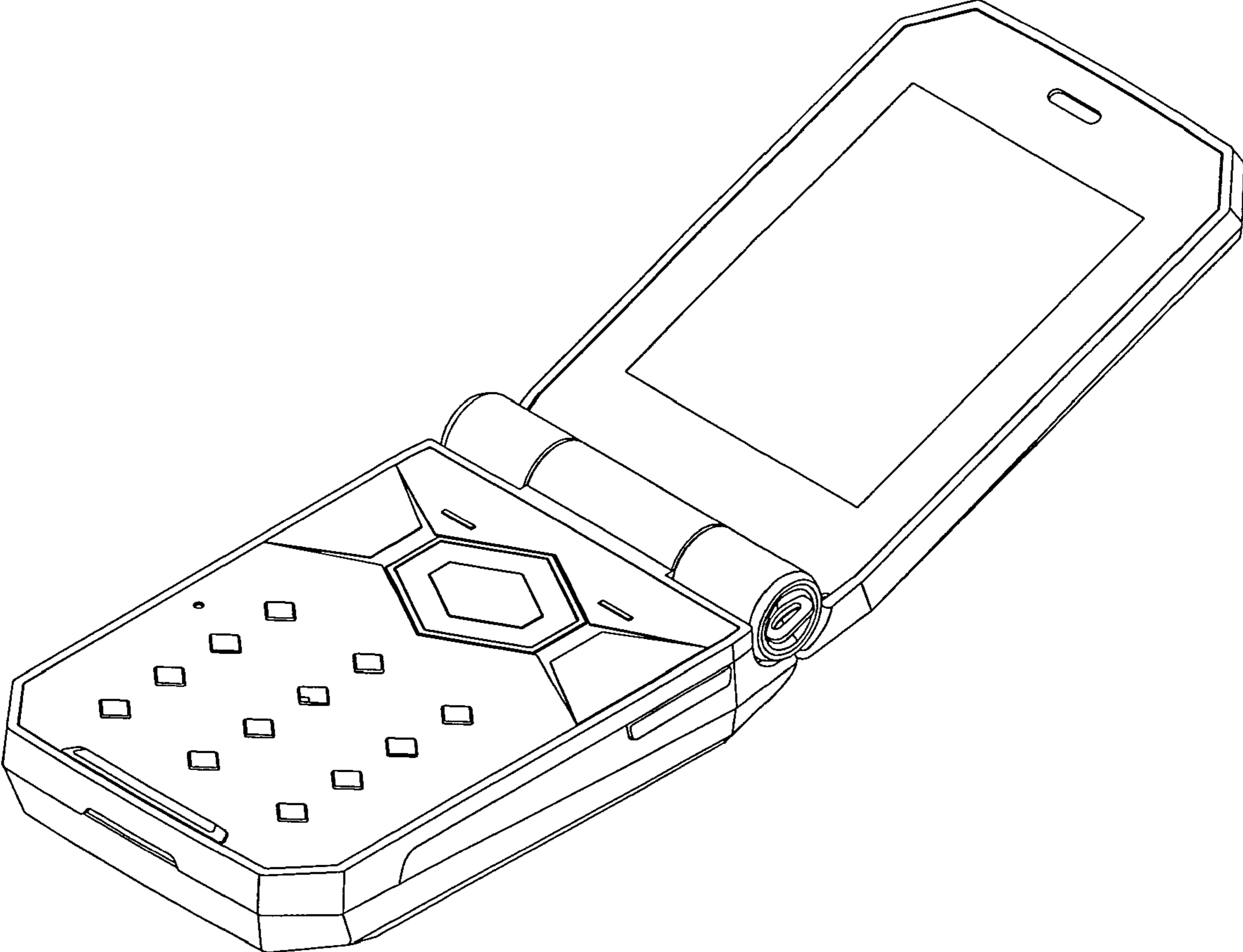


FIG. 8

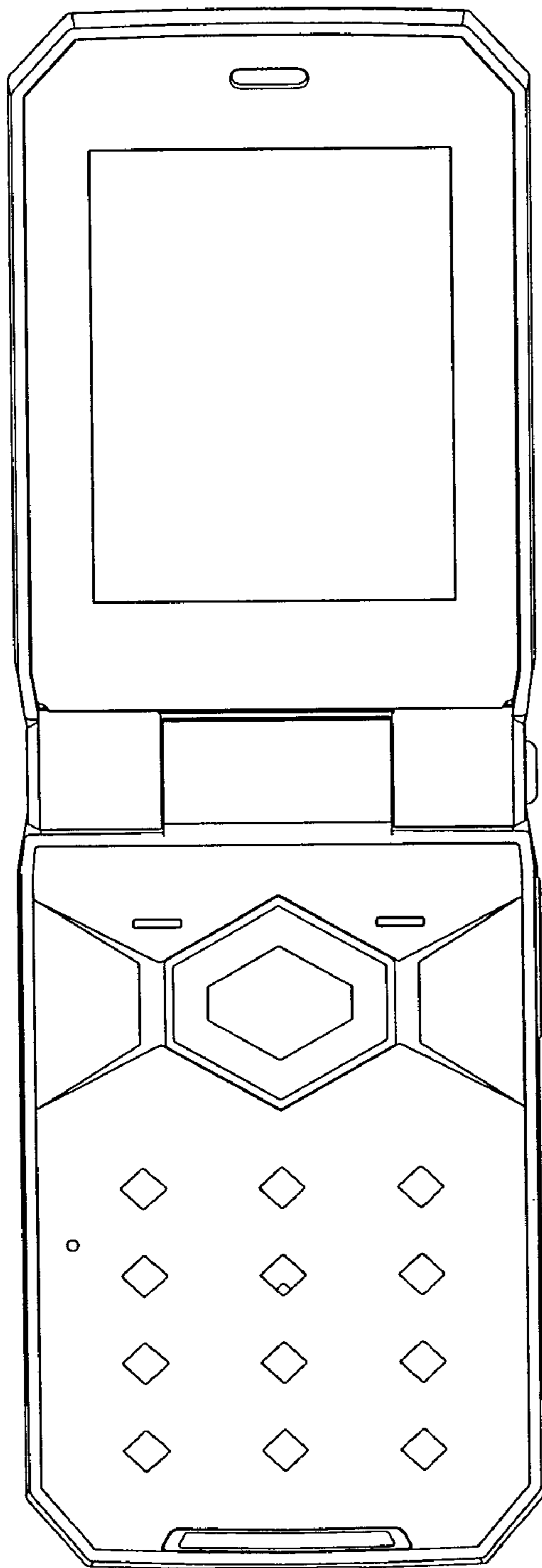


FIG. 9

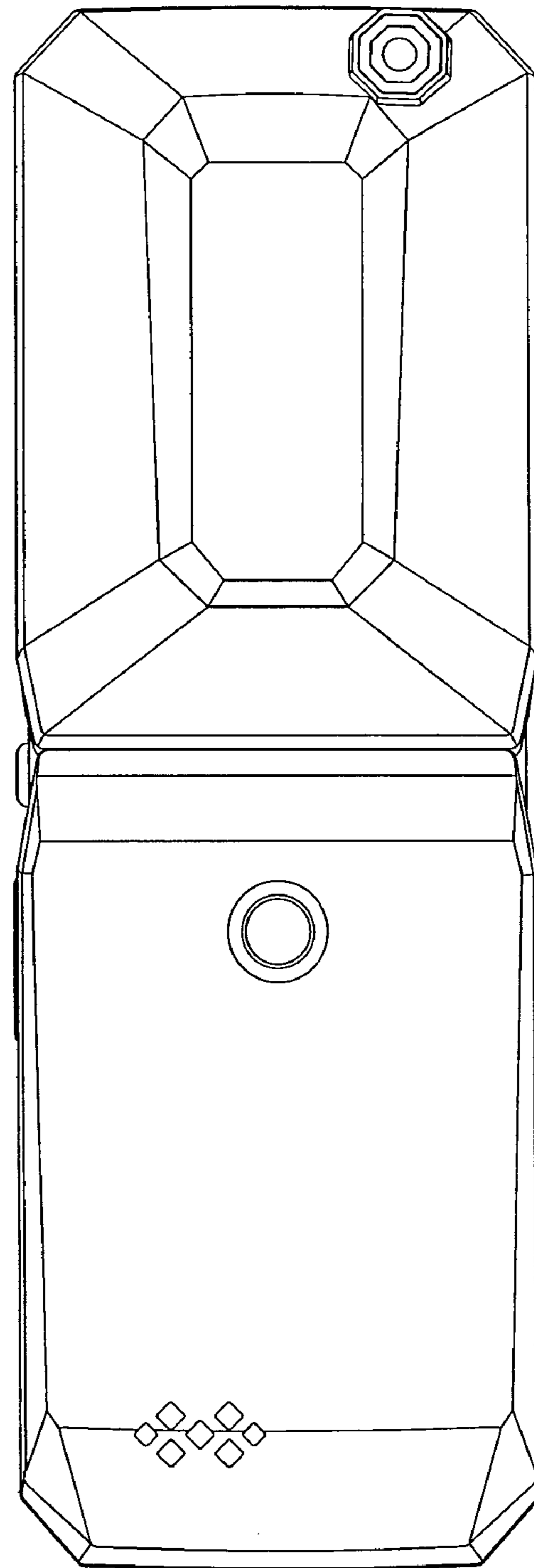


FIG. 10

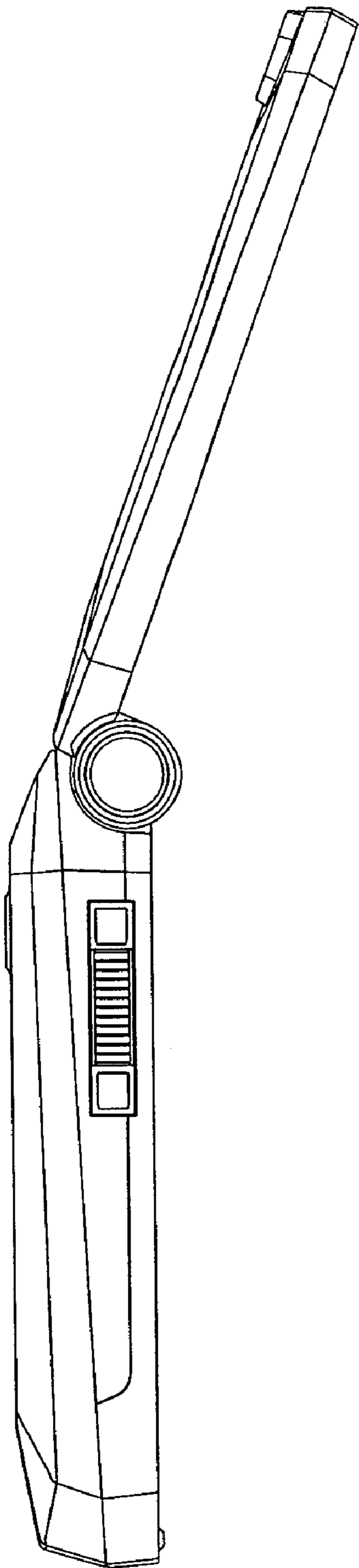


FIG. 11

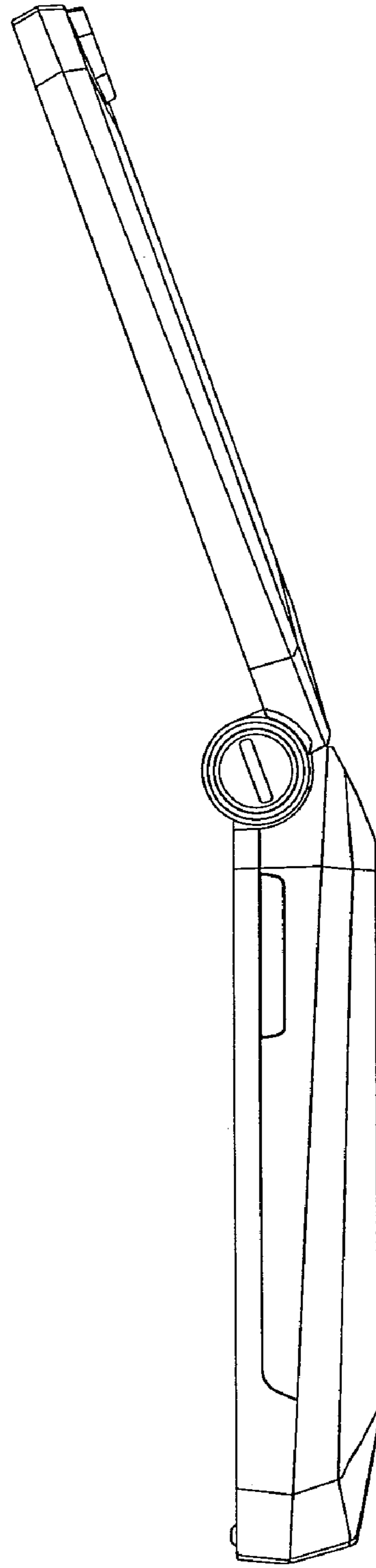


FIG. 12

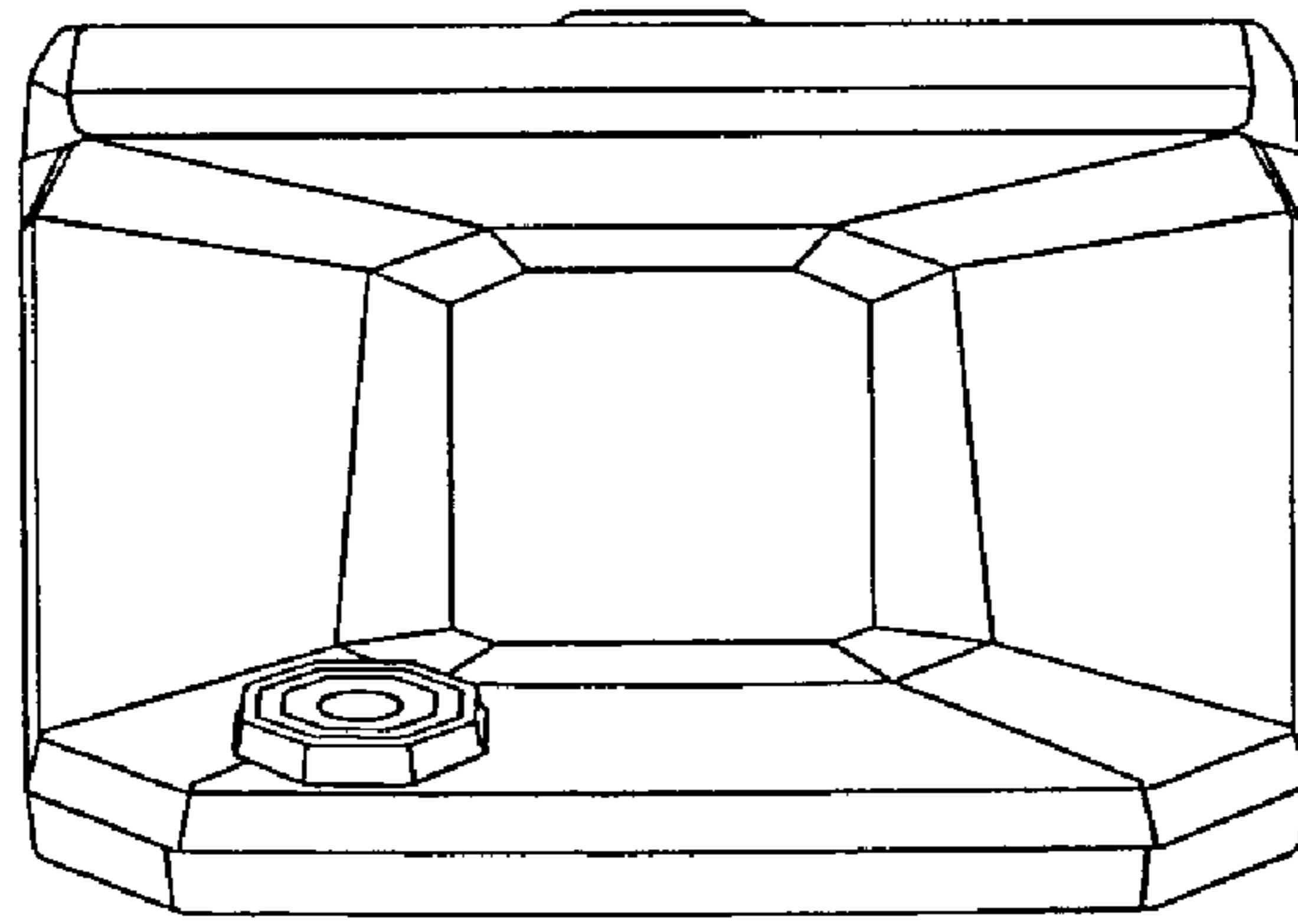


FIG. 13

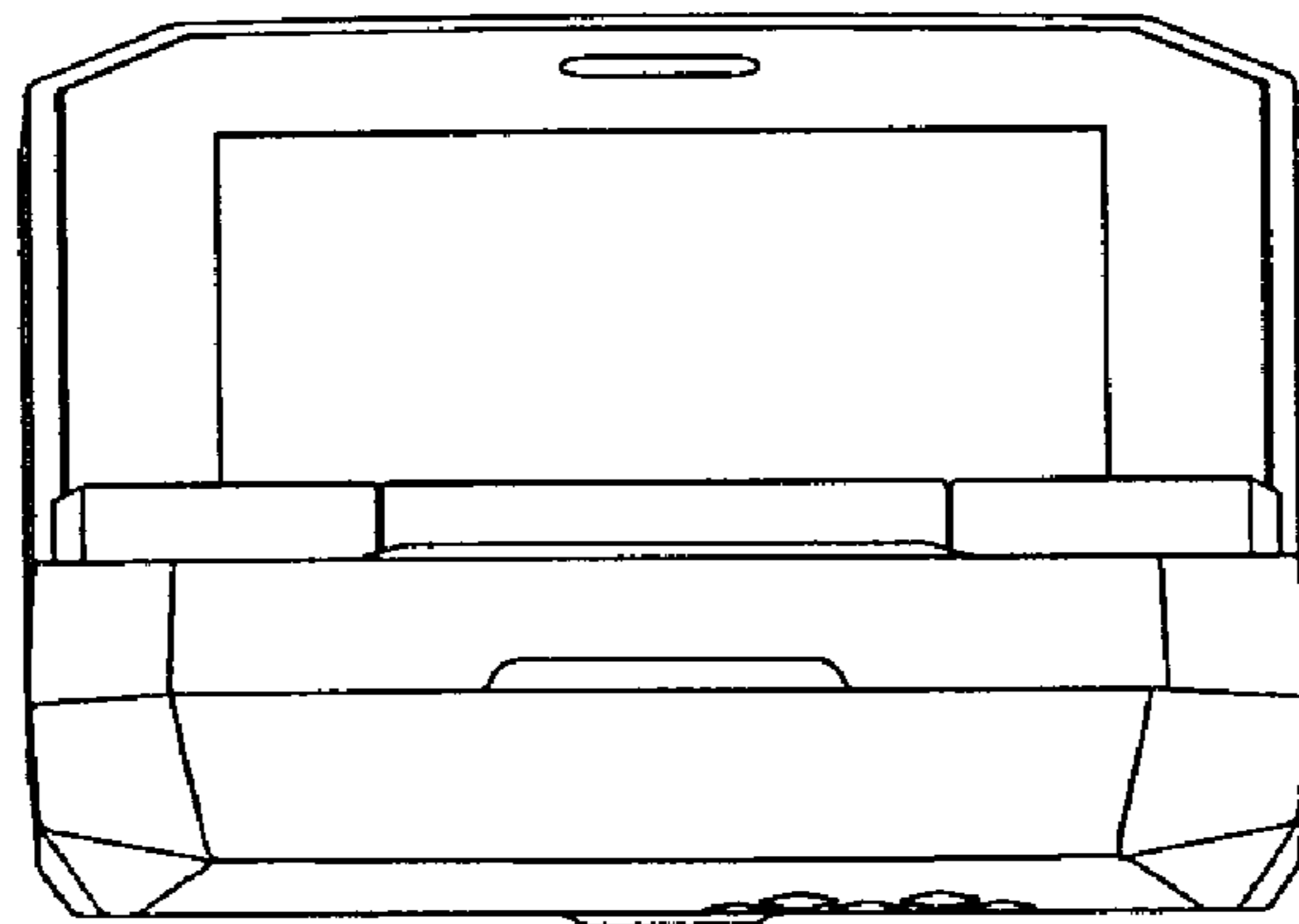


FIG. 14