



US00D623157S

(12) **United States Design Patent**  
**Shinsaku**

(10) **Patent No.:** **US D623,157 S**

(45) **Date of Patent:** **\*\* Sep. 7, 2010**

(54) **MOBILE PHONE**

(75) Inventor: **Hirano Shinsaku**, Malmö (SE)

(73) Assignee: **Sony Ericsson Mobile Communications AB**, Lund (SE)

(\*\*) Term: **14 Years**

(21) Appl. No.: **29/332,890**

(22) Filed: **Feb. 27, 2009**

(30) **Foreign Application Priority Data**

Sep. 1, 2008 (EM) ..... 000994140-0001  
Sep. 1, 2008 (EM) ..... 000994140-0002

(51) **LOC (9) Cl.** ..... **14-03**

(52) **U.S. Cl.** ..... **D14/138 AD**

(58) **Field of Classification Search** ..... D14/138 R,  
D14/138 AD, 138 AC, 138 C, 138 G, 191,  
D14/203.1–203.8, 496, 138 AA, 138 AB,  
D14/247–248, 137, 147, 218, 341–347; D10/65,  
D10/78, 104; D13/168; D18/7; 455/566,  
455/575.1, 575.3

See application file for complete search history.

(56) **References Cited**

**U.S. PATENT DOCUMENTS**

D458,915 S \* 6/2002 Shintani ..... D14/147  
D509,206 S \* 9/2005 Jang ..... D14/138 AB  
D526,222 S \* 8/2006 Uehara ..... D10/65  
D528,528 S \* 9/2006 Moon et al. .... D14/138 G  
D529,886 S \* 10/2006 Jang ..... D14/138 AD  
D566,729 S \* 4/2008 Kaneko et al. .... D14/496  
D571,765 S \* 6/2008 Hsu ..... D14/138 AD

(Continued)

**OTHER PUBLICATIONS**

Sony Ericsson W705, announced Oct. 2008, [online], [retrieved on Nov. 8, 2008]. Retrieved from Internet ,<URL: http://www.gsmarena.com>.\*

(Continued)

*Primary Examiner*—Jeffrey D Asch  
*Assistant Examiner*—Bridget L Eland

(74) *Attorney, Agent, or Firm*—Myers Bigel Sibley & Sajovec

(57) **CLAIM**

The ornamental design for mobile phone, as shown and described.

**DESCRIPTION**

FIG. 1 is a front perspective view of a mobile phone showing my design;

FIG. 2 is a front view thereof;

FIG. 3 is a rear view thereof;

FIG. 4 is a side view thereof;

FIG. 5 is an opposing side view thereof;

FIG. 6 is a top view thereof;

FIG. 7 is a bottom view thereof;

FIG. 8 is a front perspective view of the mobile phone of FIG. 1 showing my design in an open position;

FIG. 9 is a front view thereof;

FIG. 10 is a rear view thereof;

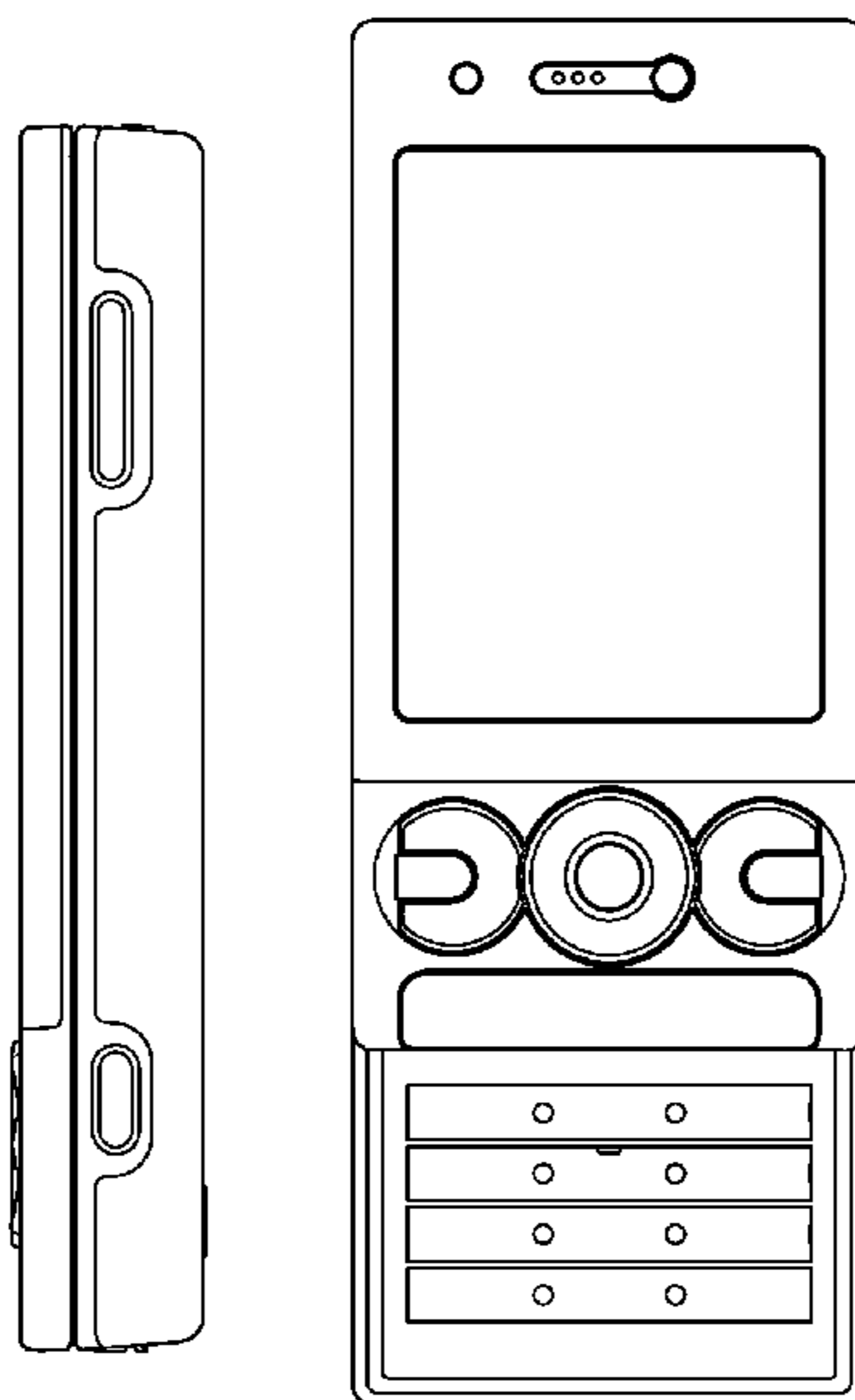
FIG. 11 is a side view thereof;

FIG. 12 is an opposing side view thereof;

FIG. 13 is a top view thereof; and,

FIG. 14 is a bottom view thereof.

**1 Claim, 6 Drawing Sheets**



# US D623,157 S

Page 2

## U.S. PATENT DOCUMENTS

D582,382 S \* 12/2008 Kim ..... D14/138 AD  
D585,416 S \* 1/2009 Kim ..... D14/138 AD  
D587,670 S \* 3/2009 Kim et al. .... D14/138 AD  
D595,683 S \* 7/2009 Tsai et al. .... D14/138 AD  
D596,607 S \* 7/2009 Kim et al. .... D14/138 AD  
D597,517 S \* 8/2009 Kim ..... D14/138 AD  
D598,000 S \* 8/2009 Kim et al. .... D14/138 AB  
D601,112 S \* 9/2009 Tang ..... D14/138 AD  
D602,464 S \* 10/2009 Chung et al. .... D14/138 AD  
D602,895 S \* 10/2009 Chun ..... D14/138 AD  
D603,821 S \* 11/2009 Hansen ..... D14/138 AD  
D604,710 S \* 11/2009 Suzuki ..... D14/138 AD

D605,155 S \* 12/2009 Cha et al. .... D14/138 AD  
D611,030 S \* 3/2010 Hirano ..... D14/138 G  
2006/0170656 A1\* 8/2006 Kwon ..... 345/169  
2007/0082718 A1\* 4/2007 Yoon et al. .... 455/575.4  
2008/0057922 A1\* 3/2008 Kokes et al. .... 455/414.1  
2009/0247243 A1\* 10/2009 Chen et al. .... 455/575.1  
2009/0270141 A1\* 10/2009 Sassi ..... 455/575.1

## OTHER PUBLICATIONS

Sony Ericsson W715, announced Jan. 2009, [online], [retrieved on Jan. 9, 2009 & Jan. 23, 2009]. Retrieved from Internet ,<URL: <http://www.gsmarena.com>>.\*

\* cited by examiner

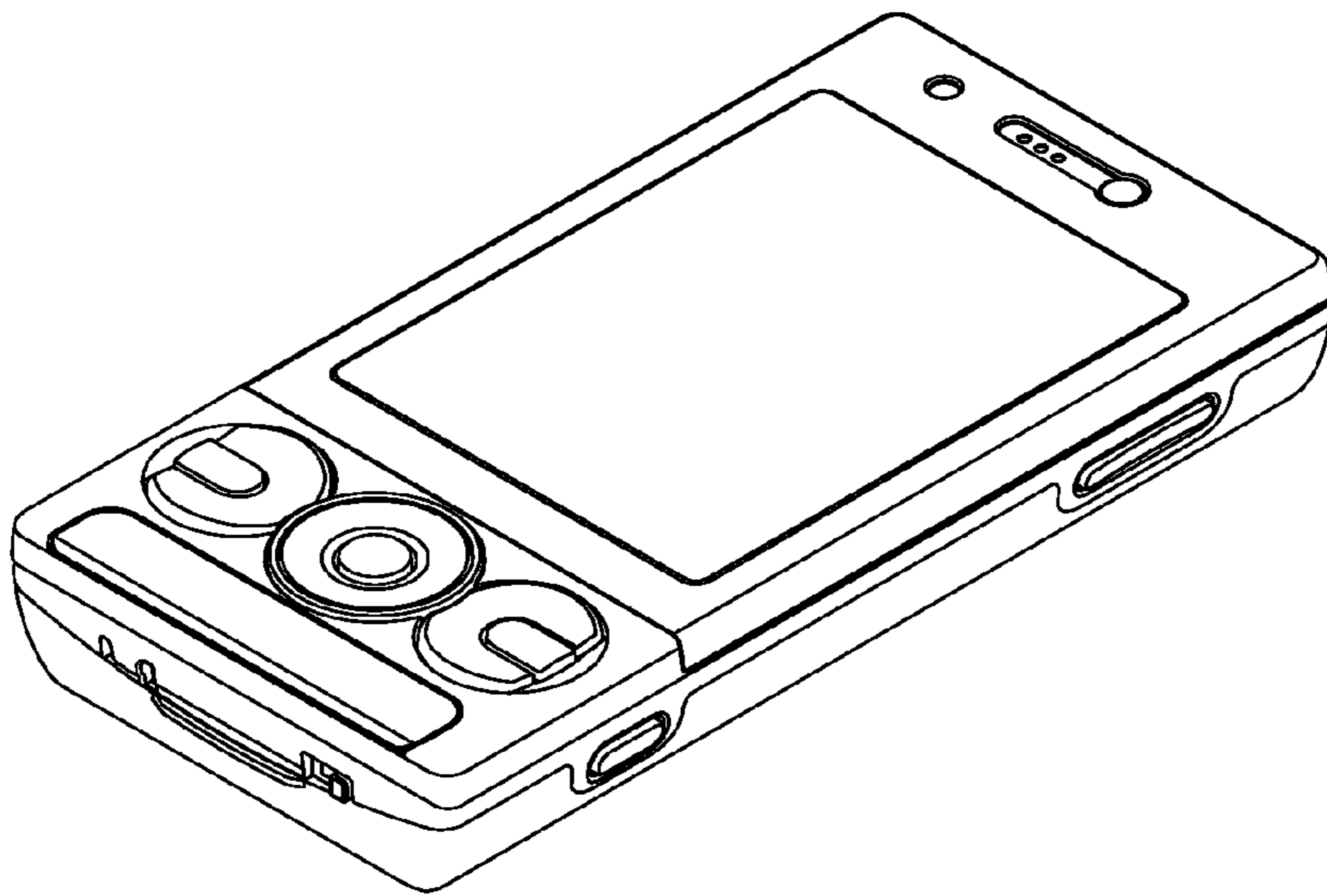


FIG. 1

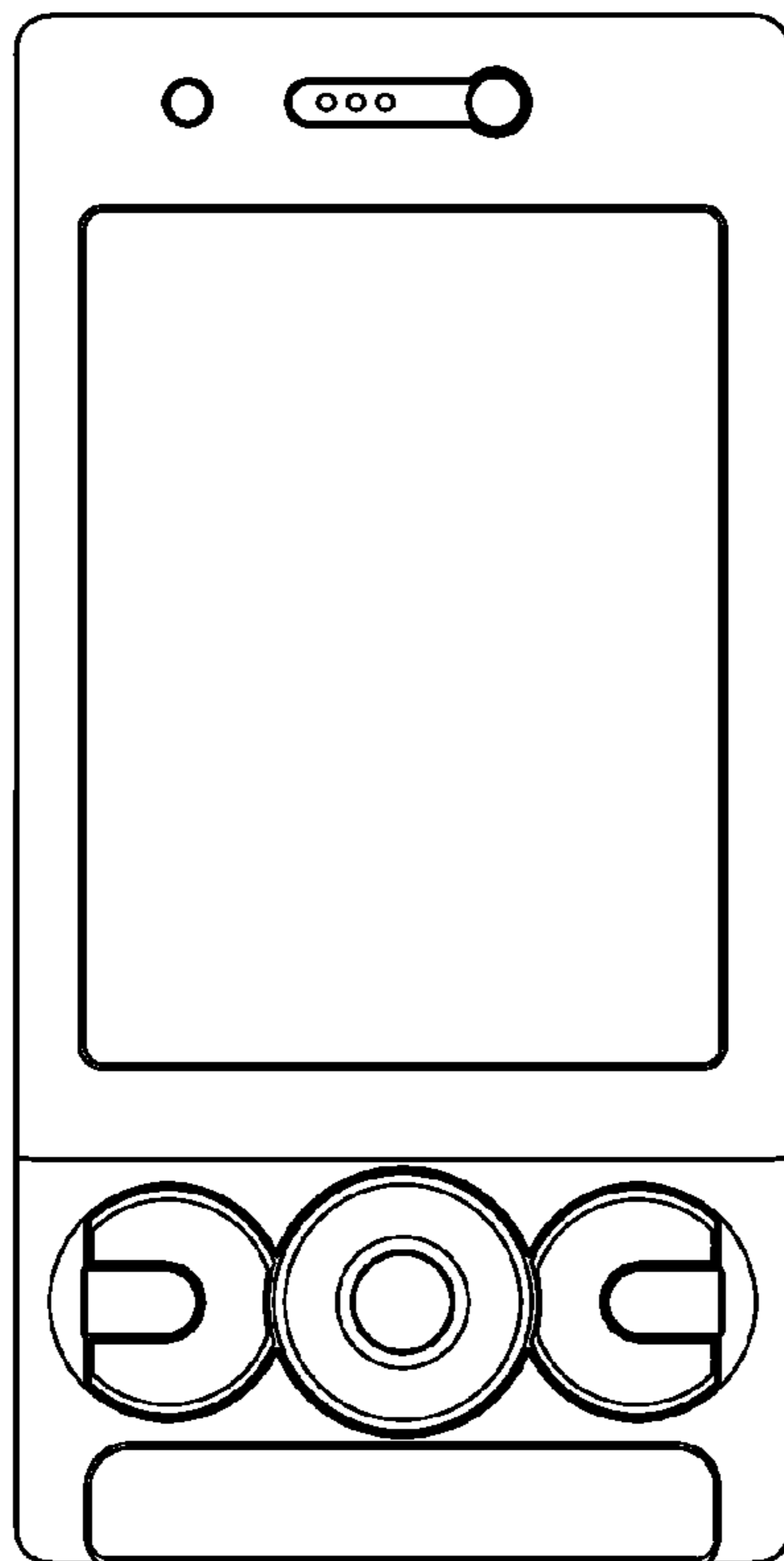
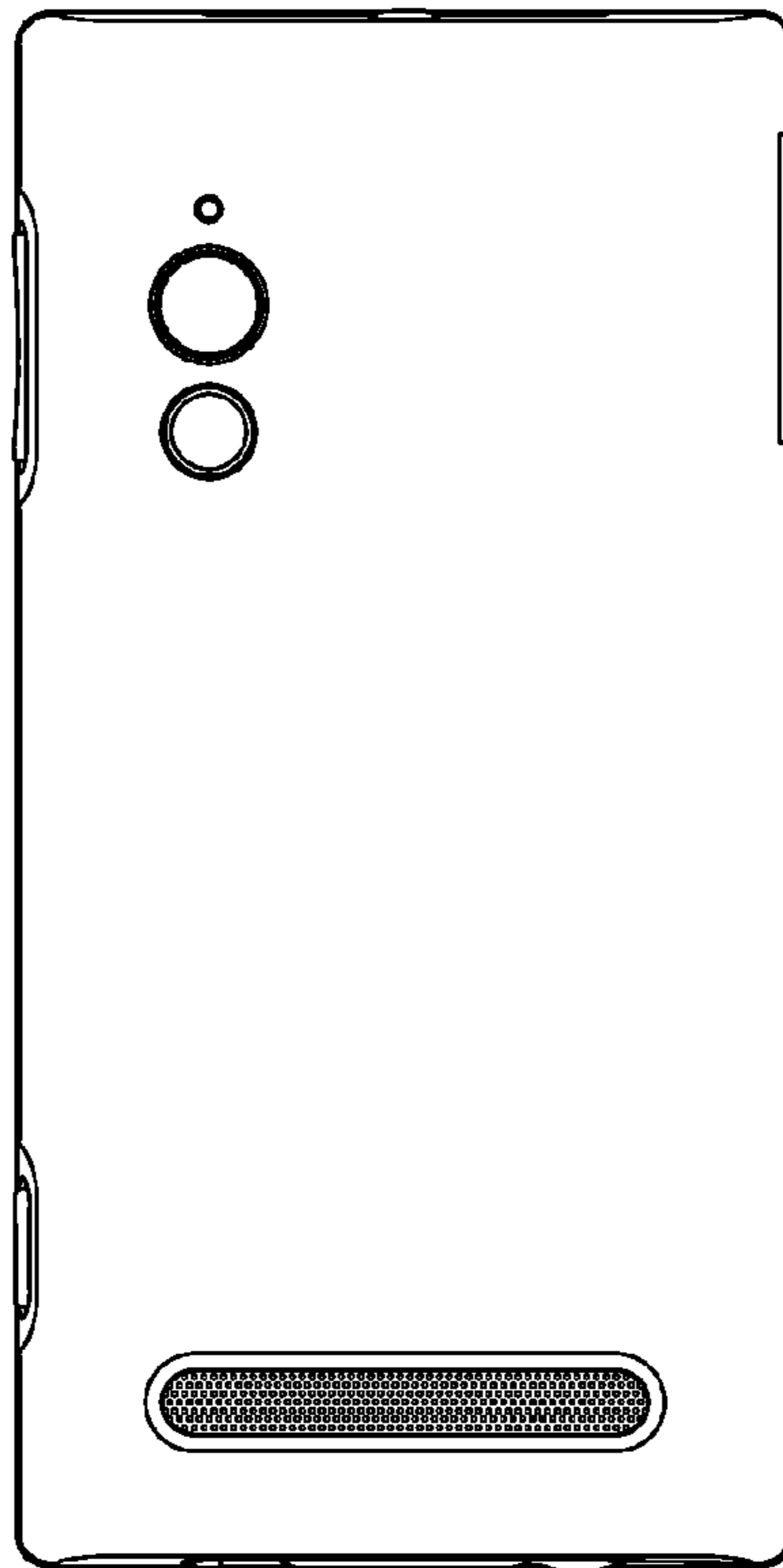
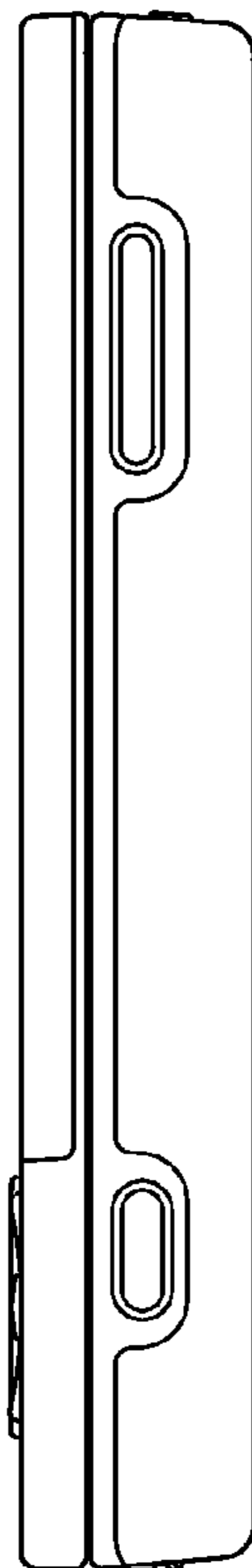


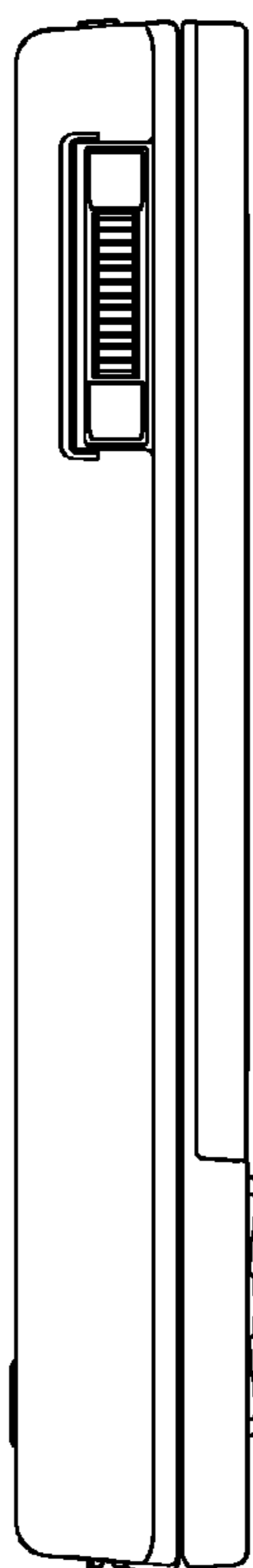
FIG. 2



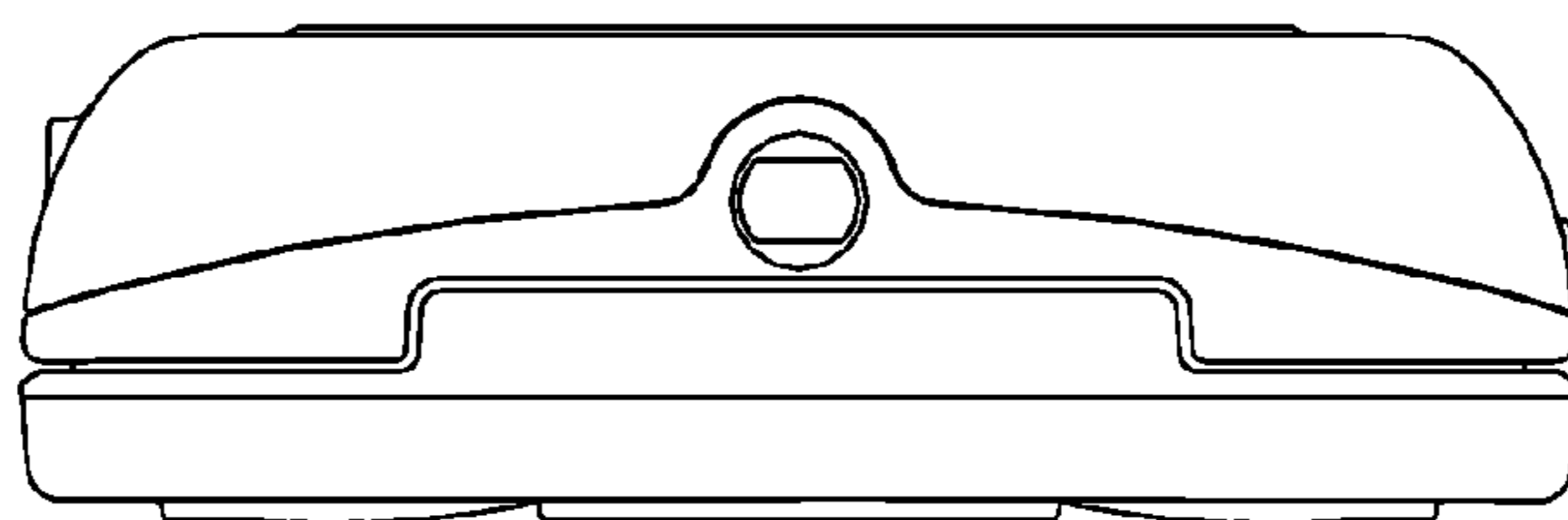
**FIG. 3**



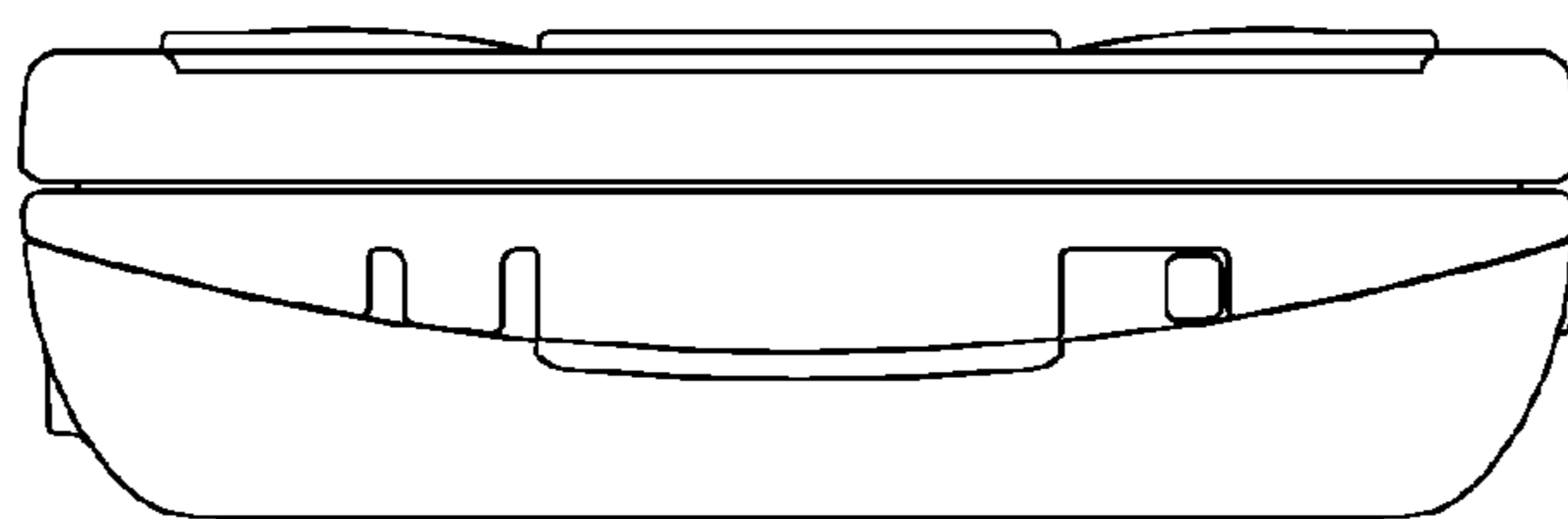
**FIG. 4**



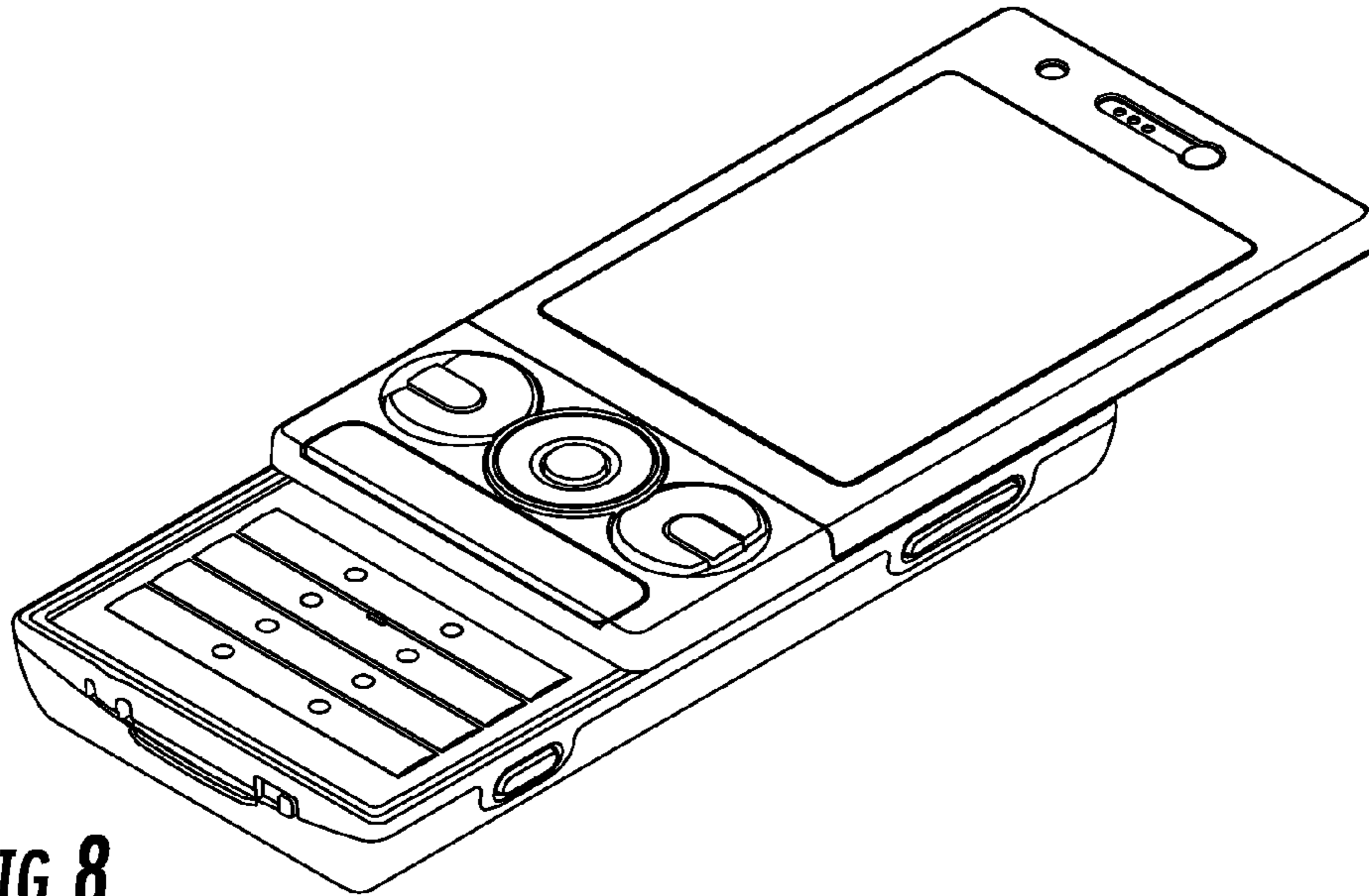
**FIG. 5**



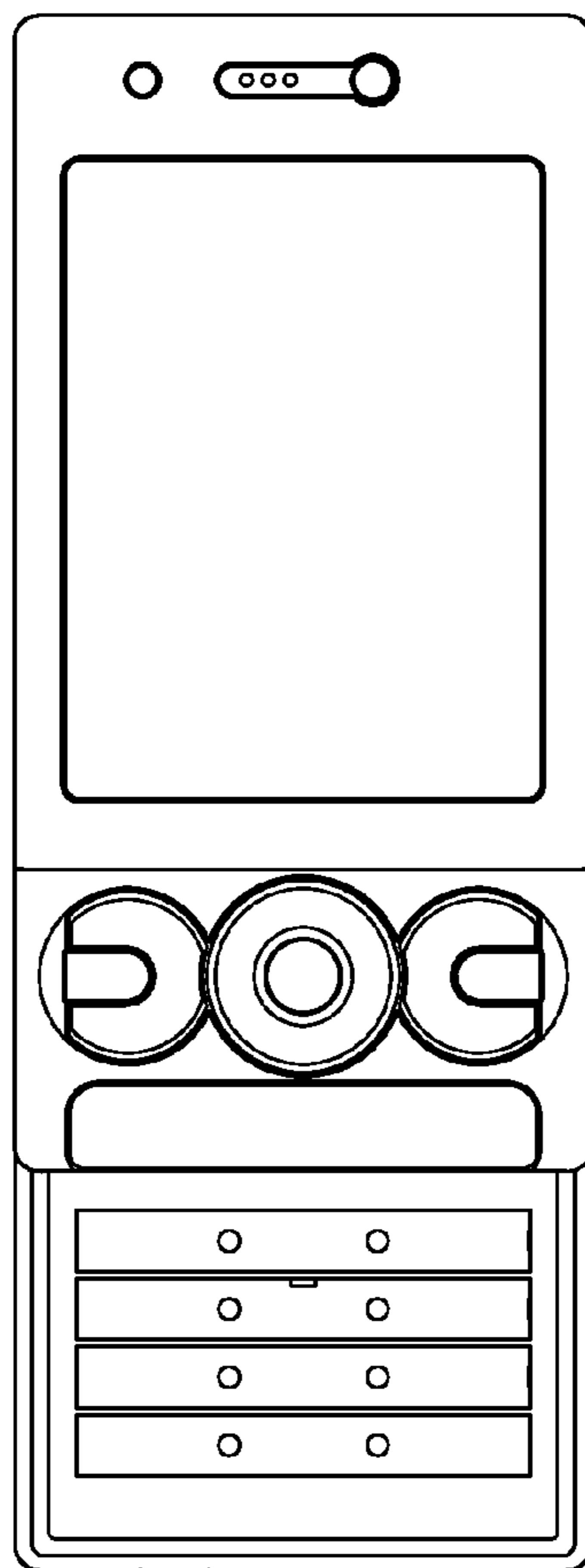
**FIG. 6**



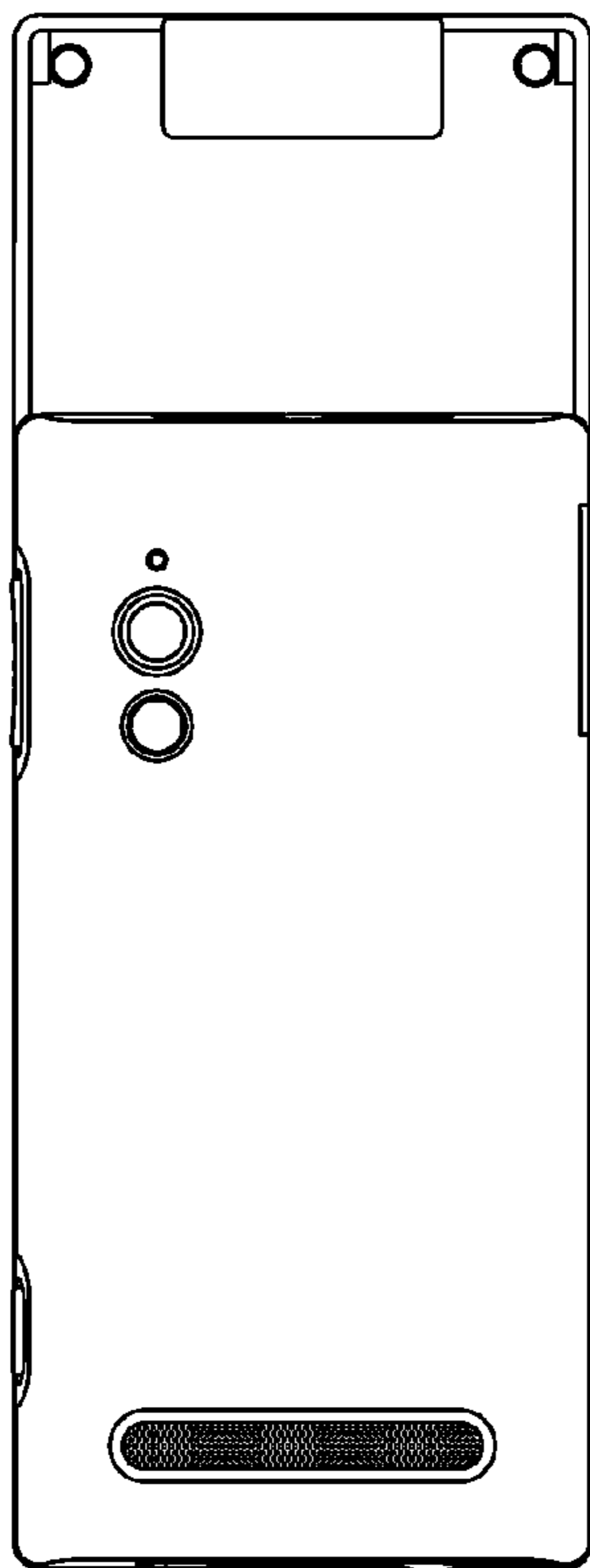
**FIG. 7**



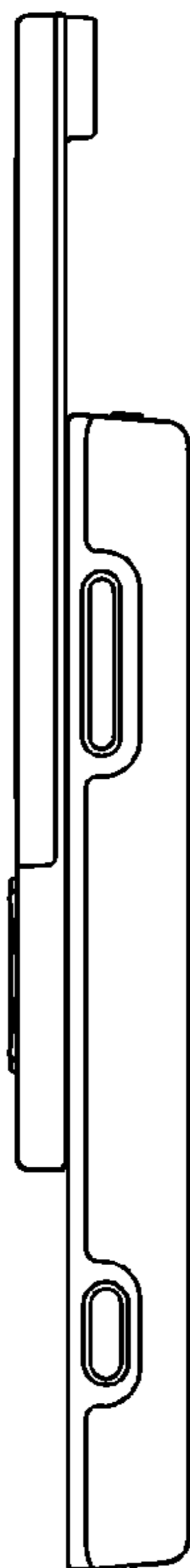
**FIG. 8**



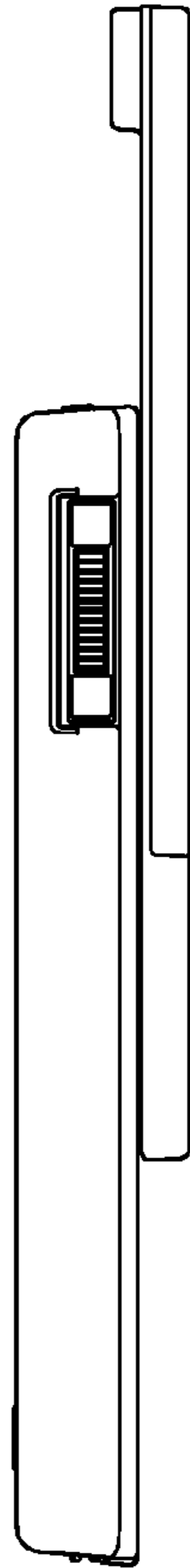
**FIG. 9**



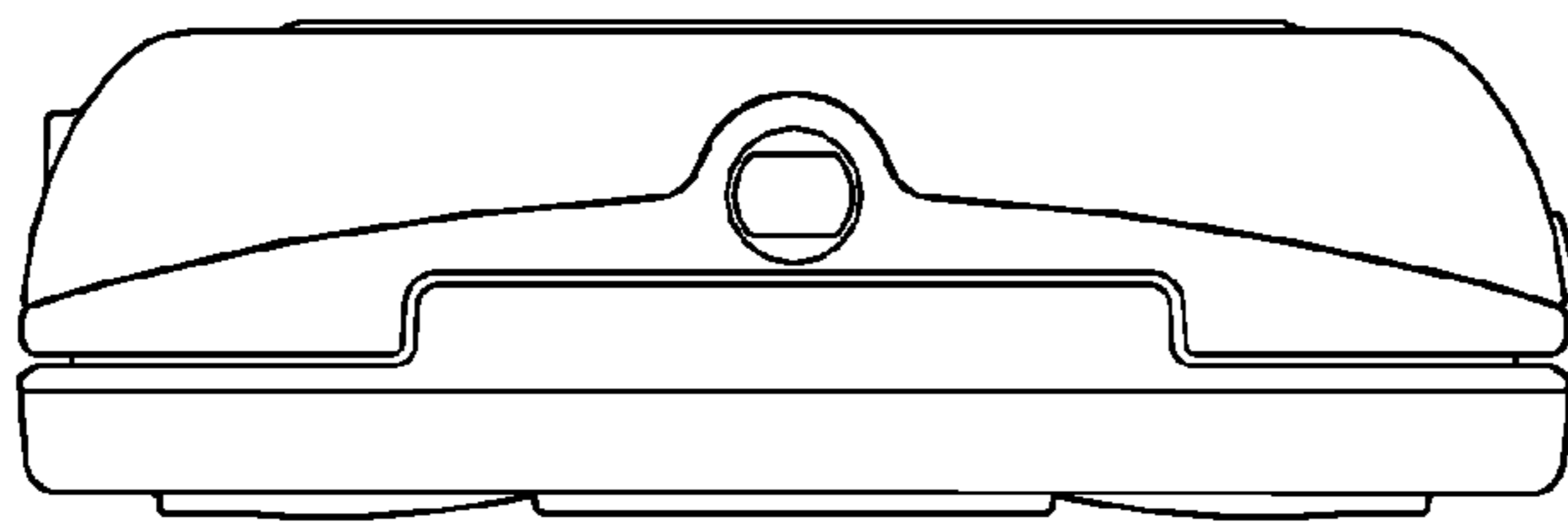
**FIG. 10**



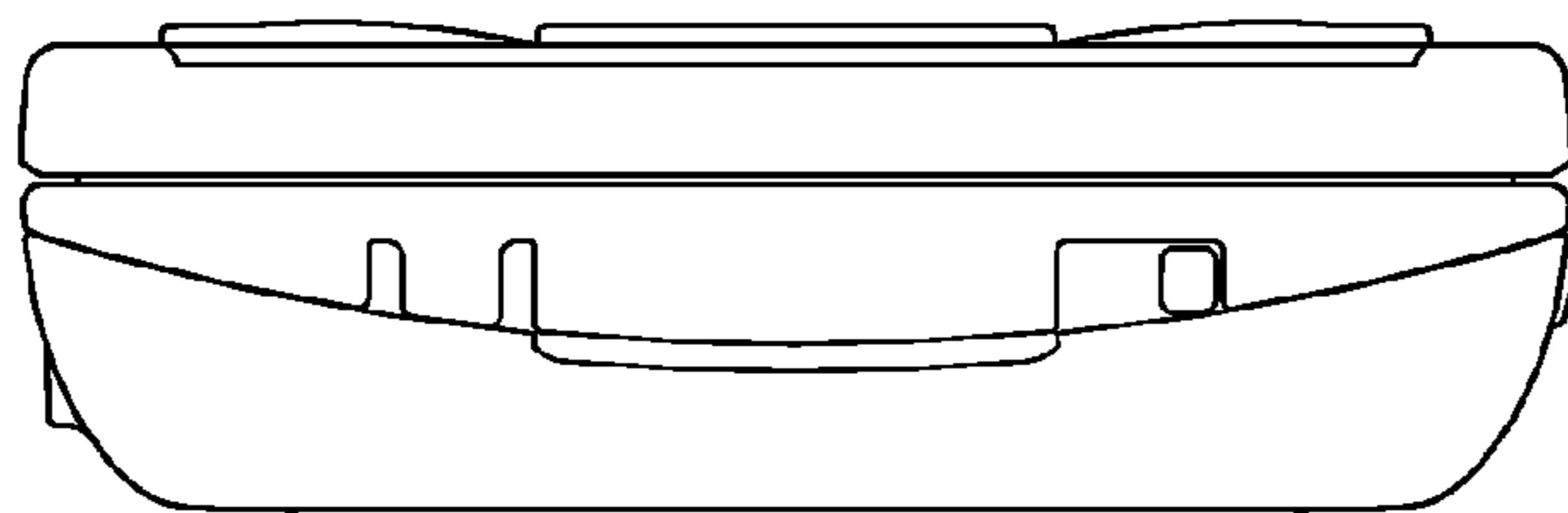
**FIG. 11**



**FIG. 12**



**FIG. 13**



**FIG. 14**