



US00D623153S

(12) **United States Design Patent**
Takeuchi et al.

(10) **Patent No.:** **US D623,153 S**
(45) **Date of Patent:** **** Sep. 7, 2010**

(54) **PORTION OF A LIGHT-EMITTING DIODE**

KR 30-0470666 11/2007
KR 30-0503675 8/2008
KR 30-0503678 8/2008

(75) Inventors: **Teruo Takeuchi**, Kitakyushu (JP);
Tatsuo Tonedachi, Kitakyushu (JP);
Kazuhisa Iwashita, Kitakyushu (JP);
Satoshi Shimizu, Kitakyushu (JP)

* cited by examiner

(73) Assignee: **Kabushiki Kaisha Toshiba**, Tokyo (JP)

Primary Examiner—Selina Sikder
(74) *Attorney, Agent, or Firm*—Banner & Witcoff, Ltd.

(**) Term: **14 Years**

(57) **CLAIM**

(21) Appl. No.: **29/355,755**

The ornamental design for a portion of a light-emitting diode, as shown and described.

(22) Filed: **Feb. 12, 2010**

(30) **Foreign Application Priority Data**

DESCRIPTION

Oct. 16, 2009 (JP) 2009-024373

FIG. 1 is a front perspective view of a portion of a light-emitting diode, showing our new design;

(51) **LOC (9) Cl.** **13-03**

FIG. 2 is a rear perspective view thereof;

(52) **U.S. Cl.** **D13/180**

FIG. 3 is a front elevational view thereof;

(58) **Field of Classification Search** D13/180;
D26/2; 257/79, 80, 81, 88, 89, 95, 98, 99,
257/100, E33.058, 676, 678; 313/483, 498,
313/500; 362/555, 800

FIG. 4 is a rear elevational view thereof;

See application file for complete search history.

FIG. 5 is a bottom plan view thereof; the opposite side being a mirror image thereof;

(56) **References Cited**

FIG. 6 is a right side elevational view thereof;

U.S. PATENT DOCUMENTS

FIG. 7 is a left side elevational view thereof;

6,677,667 B1 * 1/2004 Hong et al. 257/684

FIG. 8 is a front perspective view of the light-emitting diode of FIG. 1; and,

6,713,317 B2 * 3/2004 Knapp et al. 438/106

FIG. 9 is a rear perspective view of the light-emitting diode of FIG. 1.

6,734,536 B2 * 5/2004 Kobayakawa 257/676

7,298,034 B2 * 11/2007 Carney et al. 257/686

D581,885 S 12/2008 Ogata et al.

2002/0121684 A1 * 9/2002 Kobayakawa 257/676

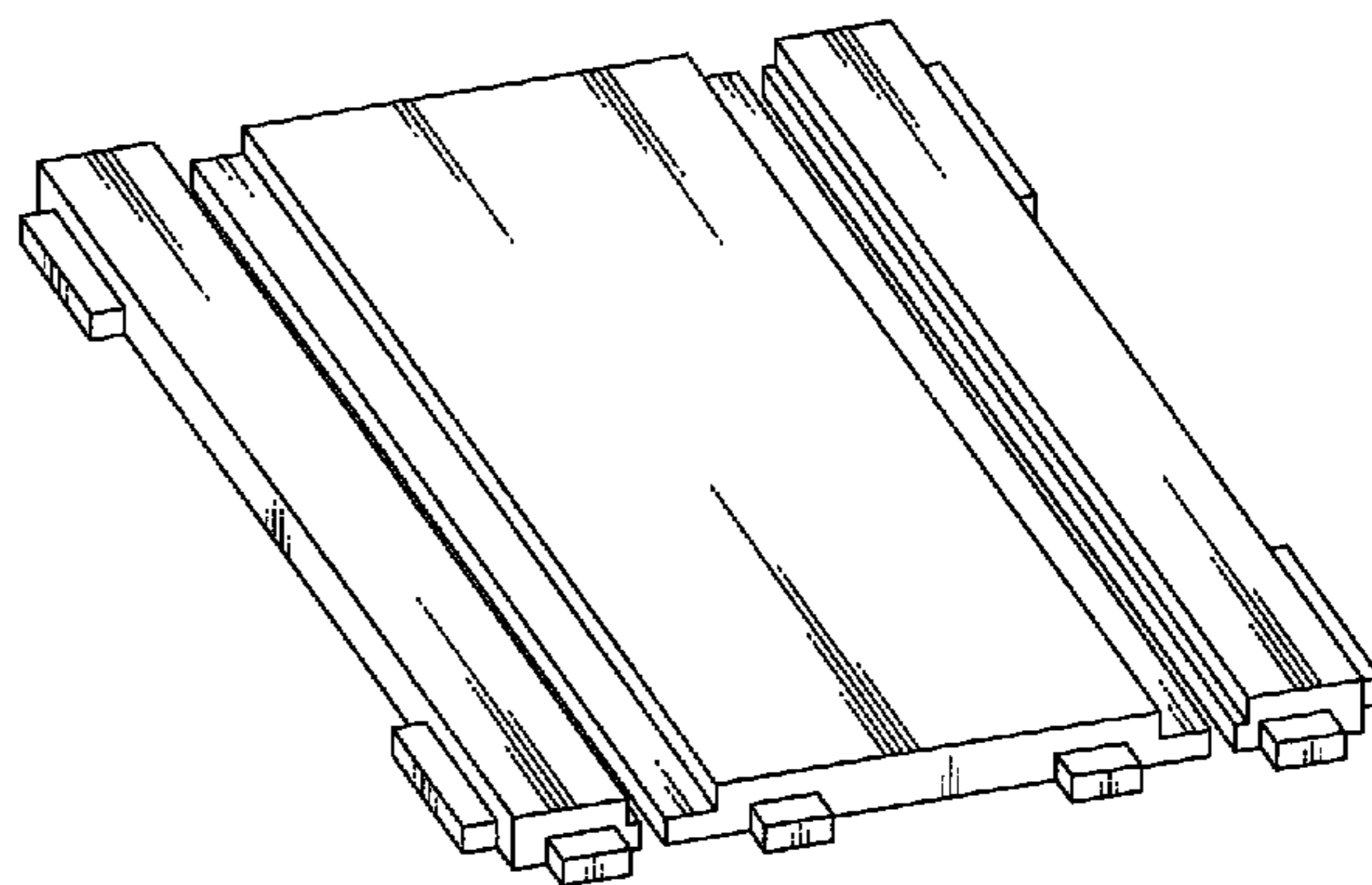
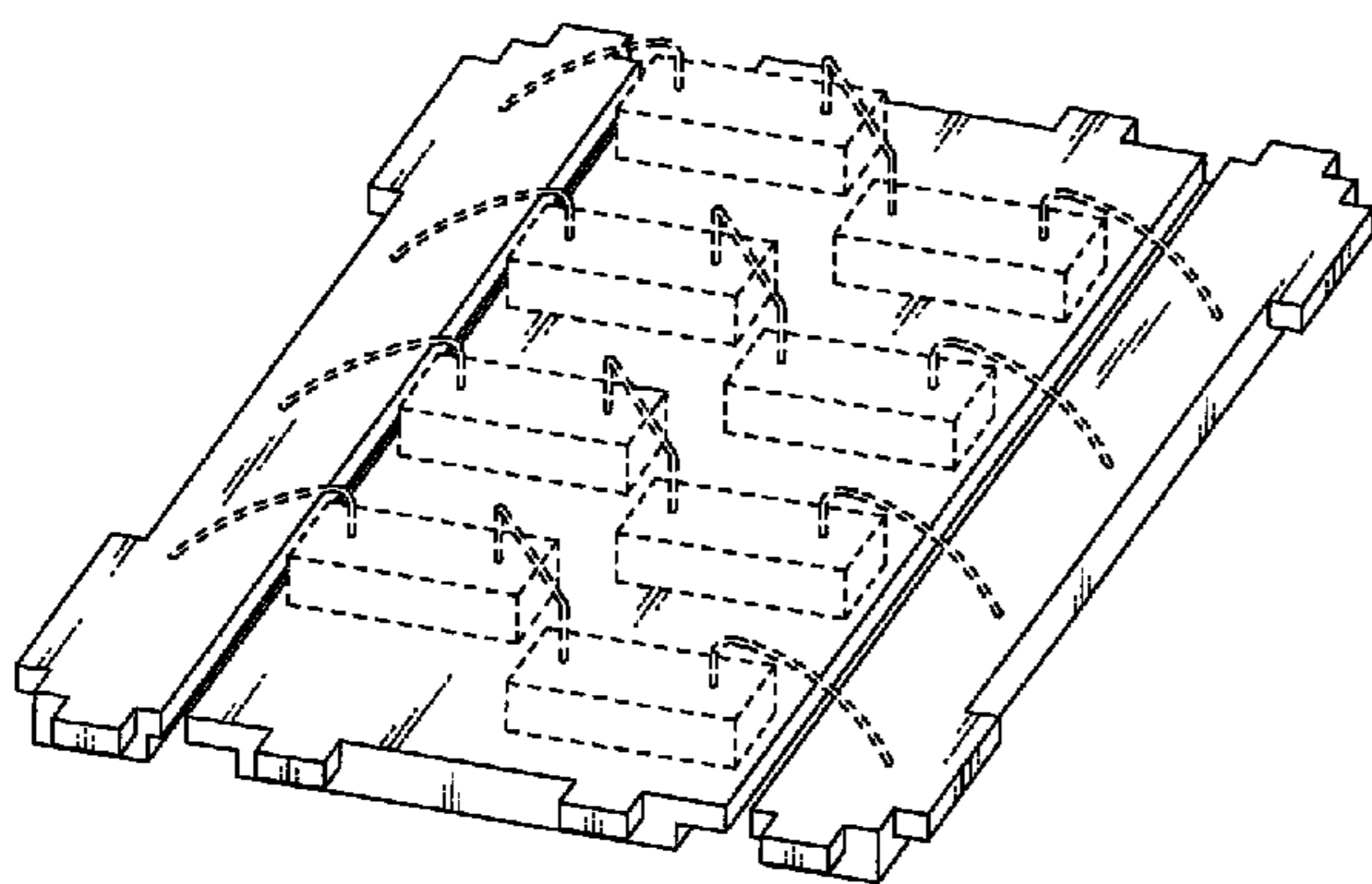
2003/0122225 A1 * 7/2003 Fukui et al. 257/676

2009/0057855 A1 * 3/2009 Quinones et al. 257/676

FOREIGN PATENT DOCUMENTS

JP D1355497 4/2009

1 Claim, 7 Drawing Sheets



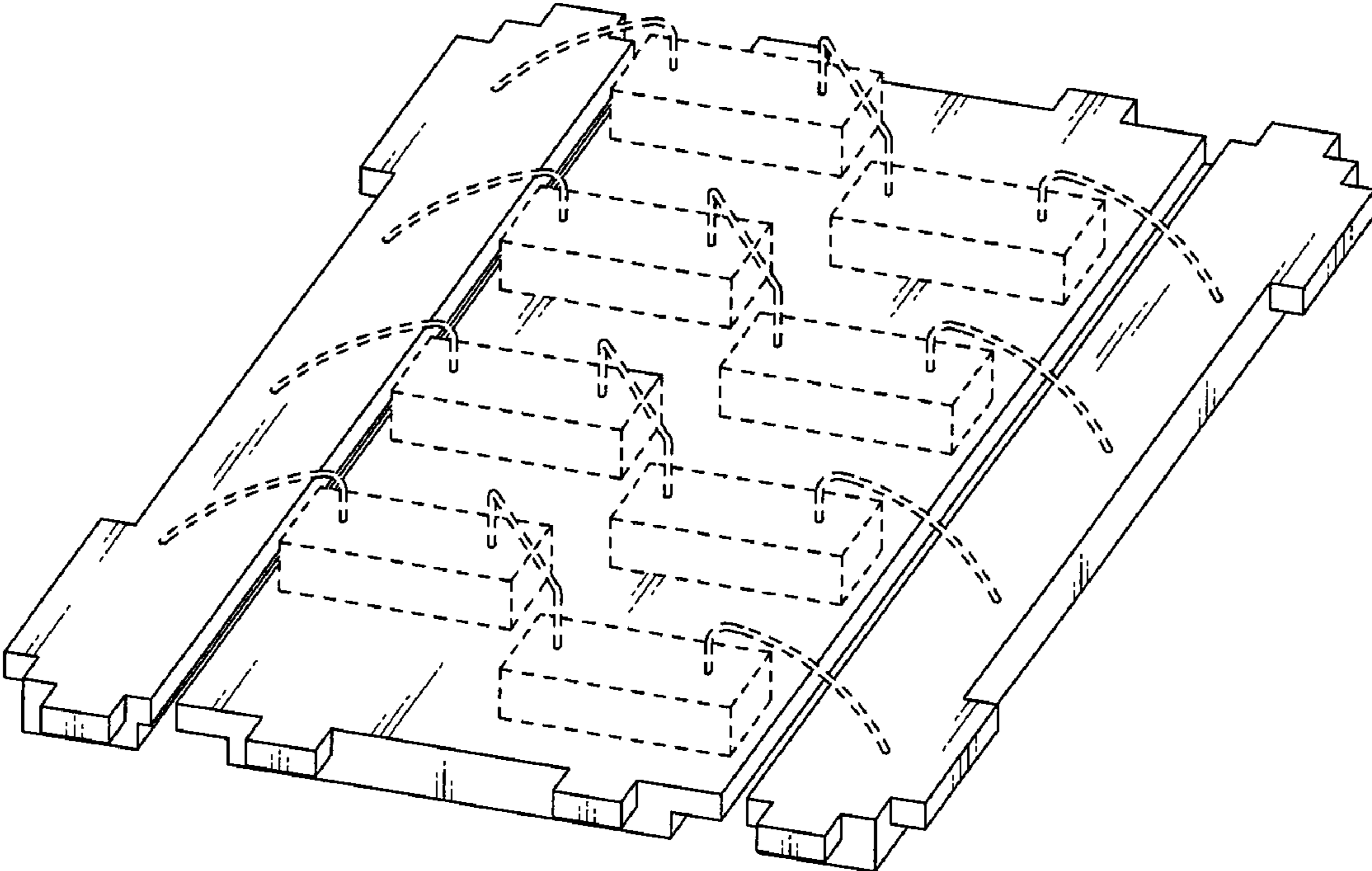


FIG.1

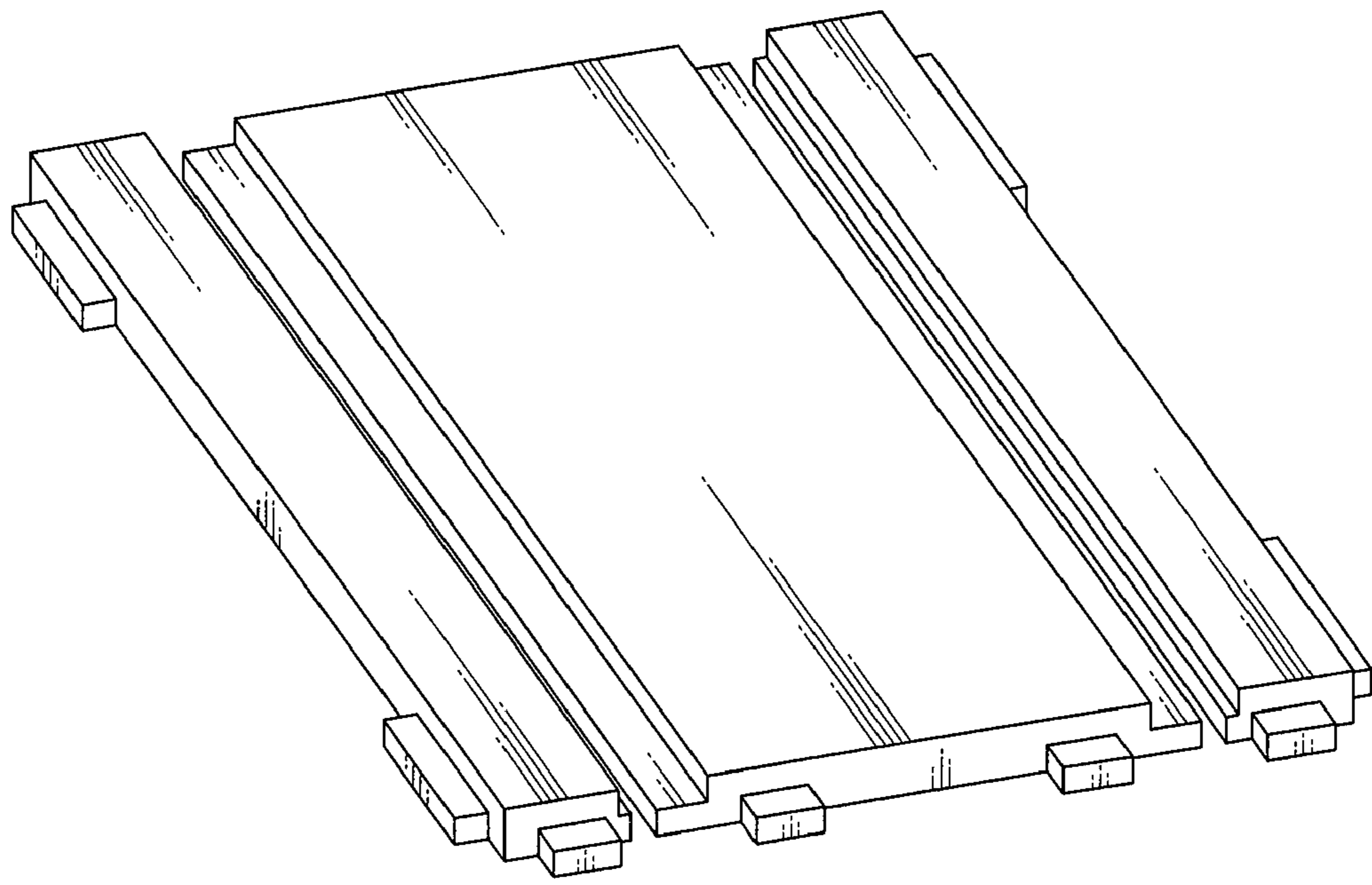


FIG.2

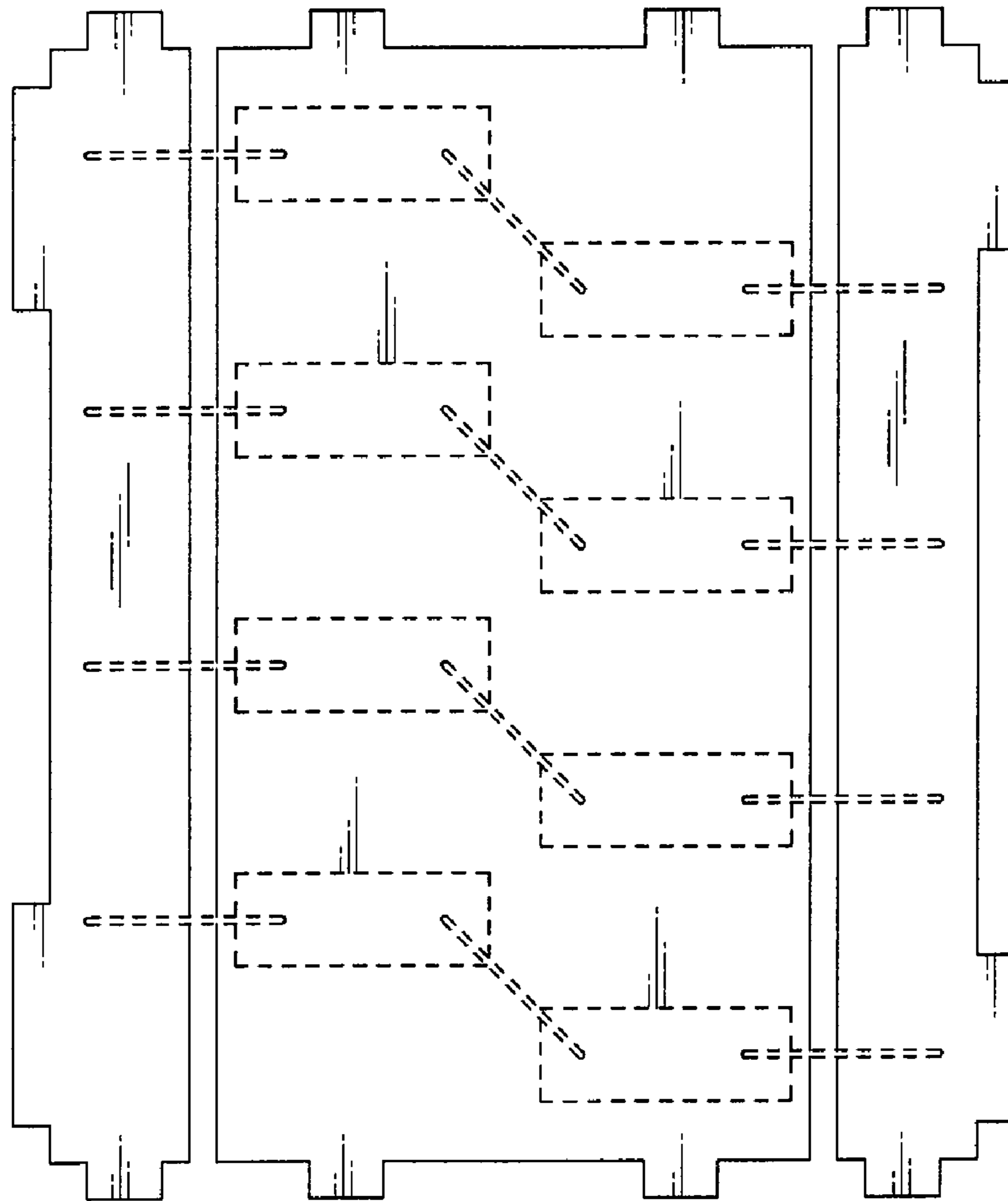


FIG.3

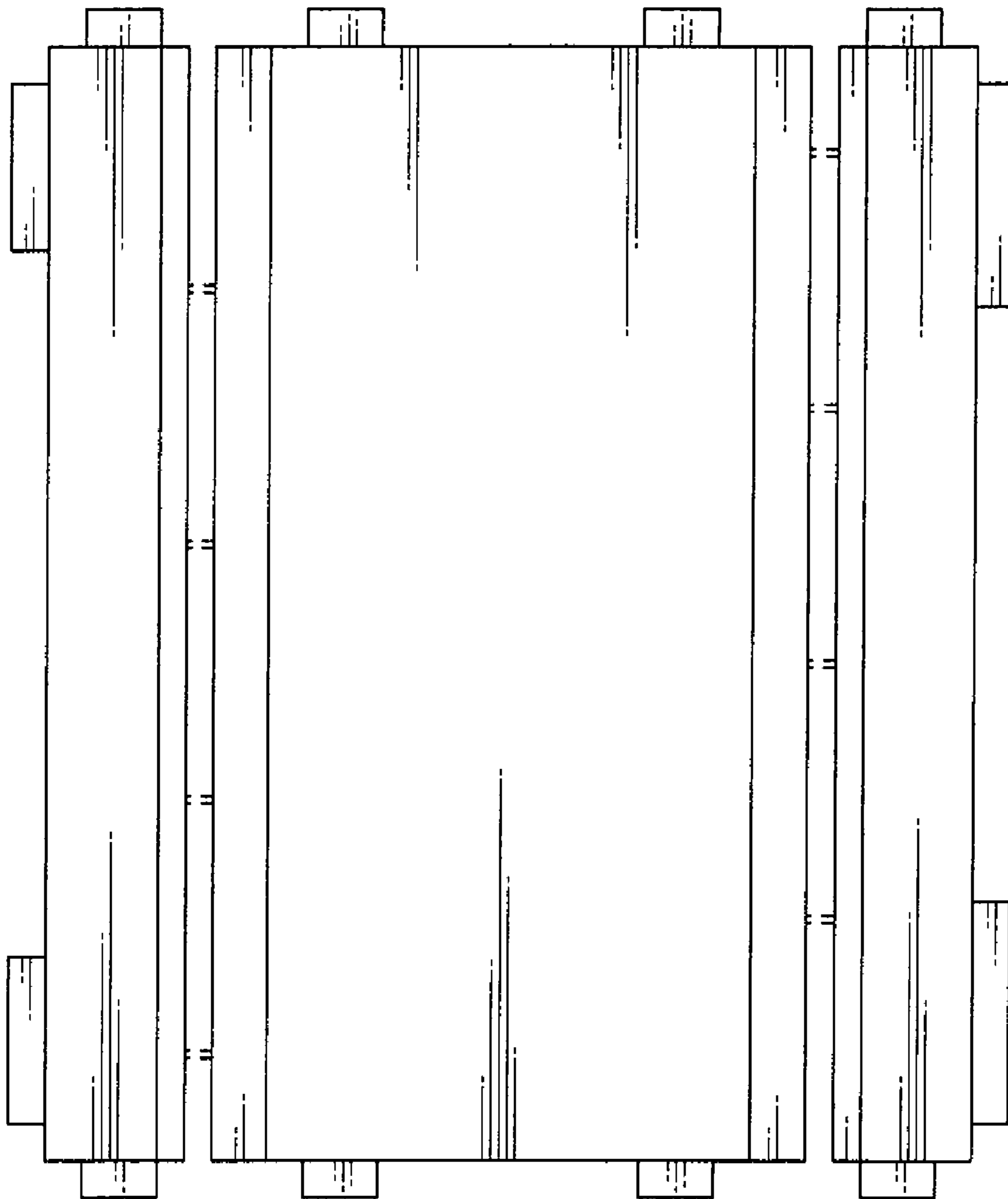


FIG.4



FIG. 5

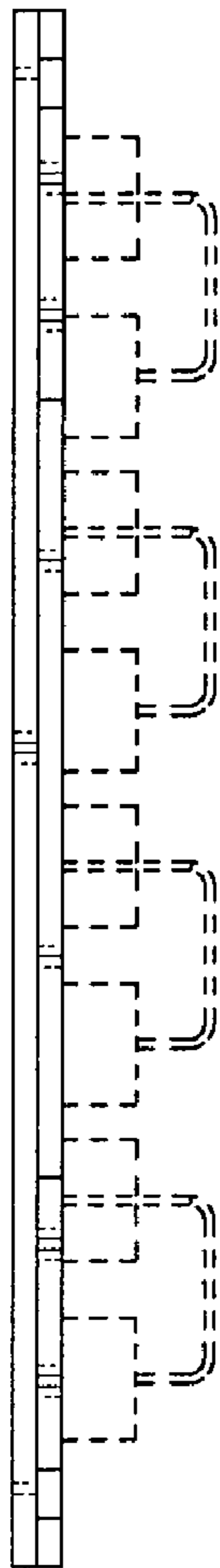


FIG. 7

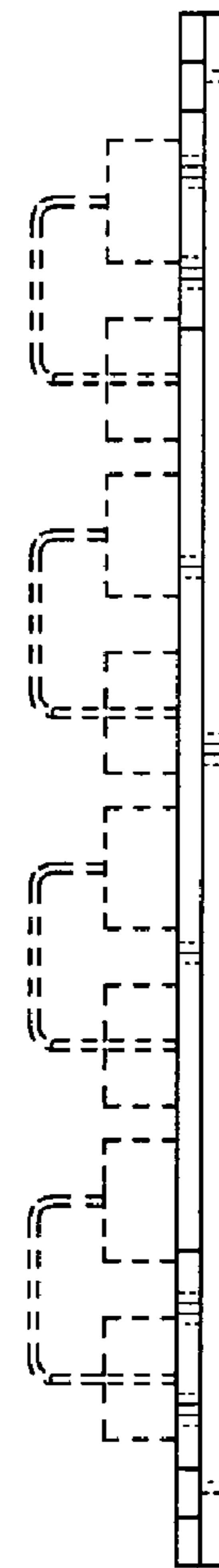


FIG. 6

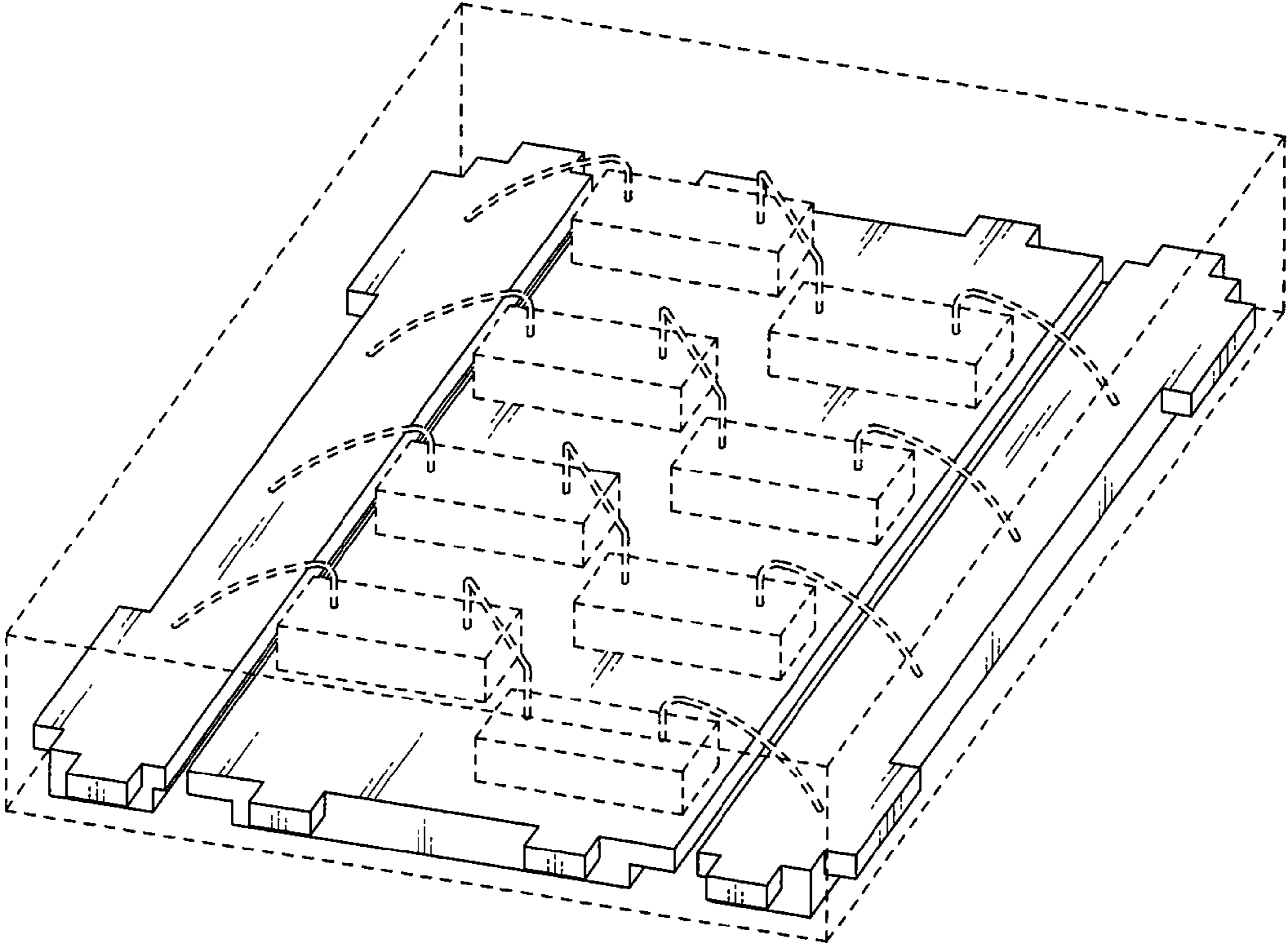


FIG.8

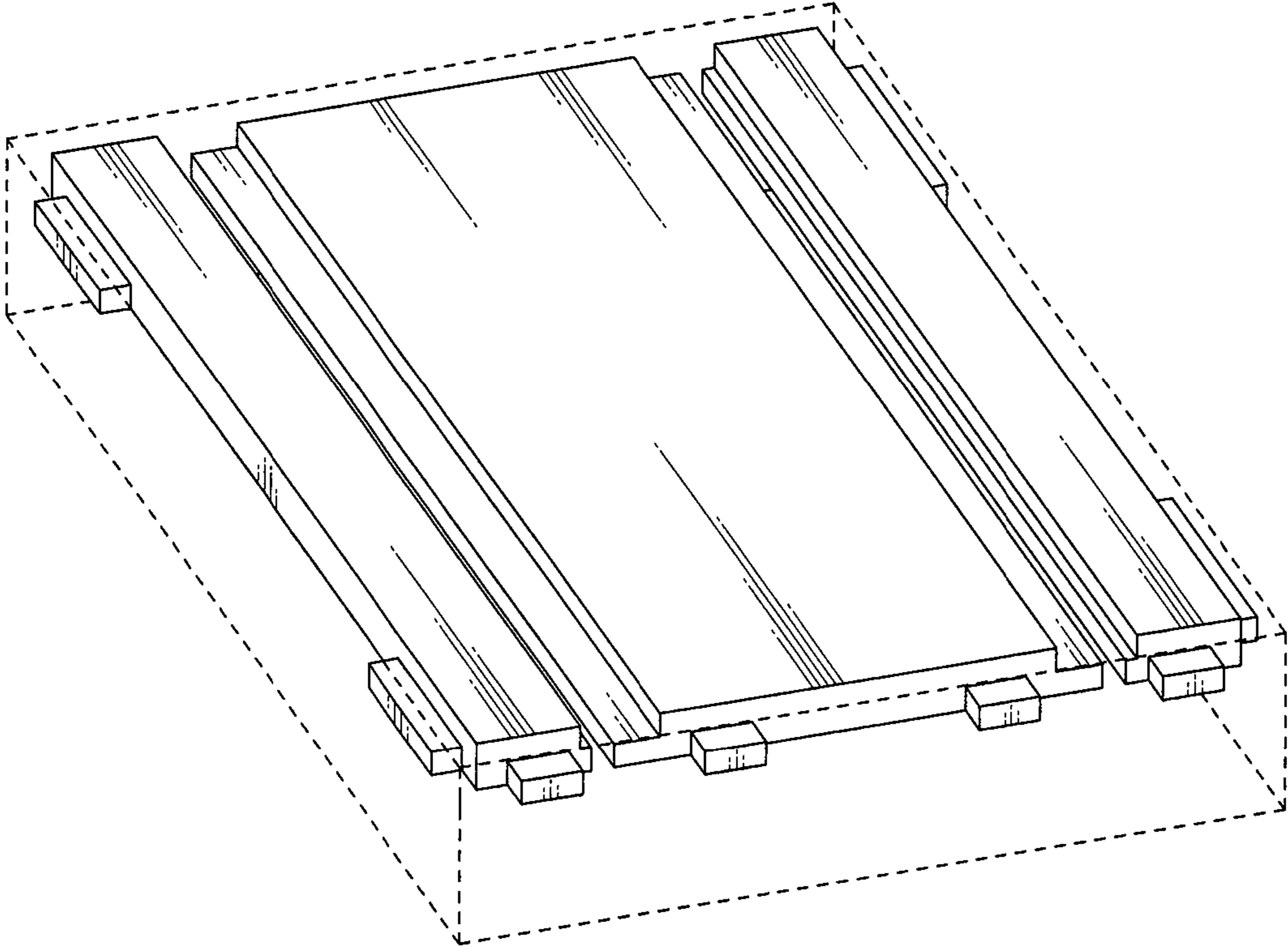


FIG.9