

US00D623147S

(12) **United States Design Patent**  
**Franc et al.**

(10) **Patent No.:** **US D623,147 S**

(45) **Date of Patent:** **\*\* Sep. 7, 2010**

(54) **OPERATING BUTTONS**

(75) Inventors: **Aurélien Franc**, Garat (FR); **Xavier Lifran**, Le Touvet (FR)

(73) Assignee: **Schneider Electric Industries SAS**,  
Rueil-Malmaison (FR)

(\*\*) Term: **14 Years**

(21) Appl. No.: **29/340,227**

(22) Filed: **Jul. 15, 2009**

(30) **Foreign Application Priority Data**

Jan. 15, 2009 (EM) ..... 001070841-0001  
Jan. 15, 2009 (EM) ..... 001070841-0002

(51) **LOC (9) Cl.** ..... **13-03**

(52) **U.S. Cl.** ..... **D13/162**

(58) **Field of Classification Search** ..... D13/158,  
D13/162, 164, 168, 177, 184, 199; D14/217,  
D14/257; D15/7-9.2; D21/242; 200/5 A,  
200/5 R; D23/354; 236/46 R; 165/217,  
165/238

See application file for complete search history.

(56) **References Cited**

**U.S. PATENT DOCUMENTS**

D250,949 S \* 1/1979 Reis ..... D13/158  
D274,707 S \* 7/1984 French ..... D10/104  
5,128,654 A \* 7/1992 Griffin et al. .... 340/567

D371,752 S \* 7/1996 Stemporzewski, Jr. .... D10/104  
D552,040 S \* 10/2007 Girard ..... D13/162  
D582,847 S \* 12/2008 Wang ..... D13/113  
D598,397 S \* 8/2009 Reger et al. .... D13/164

\* cited by examiner

*Primary Examiner*—Daniel D Bui

*Assistant Examiner*—Thomas J Johannes

(74) *Attorney, Agent, or Firm*—Oblon, Spivak, McClelland,  
Maier & Neustadt, L.L.P.

(57) **CLAIM**

The new, original, and ornamental design for operating buttons, as shown and described.

**DESCRIPTION**

FIG. 1 is a front, top, and right side perspective view of operating buttons, showing our new design;

FIG. 2 is a front elevational view thereof;

FIG. 3 is a rear elevational view thereof;

FIG. 4 is a right side elevational view thereof;

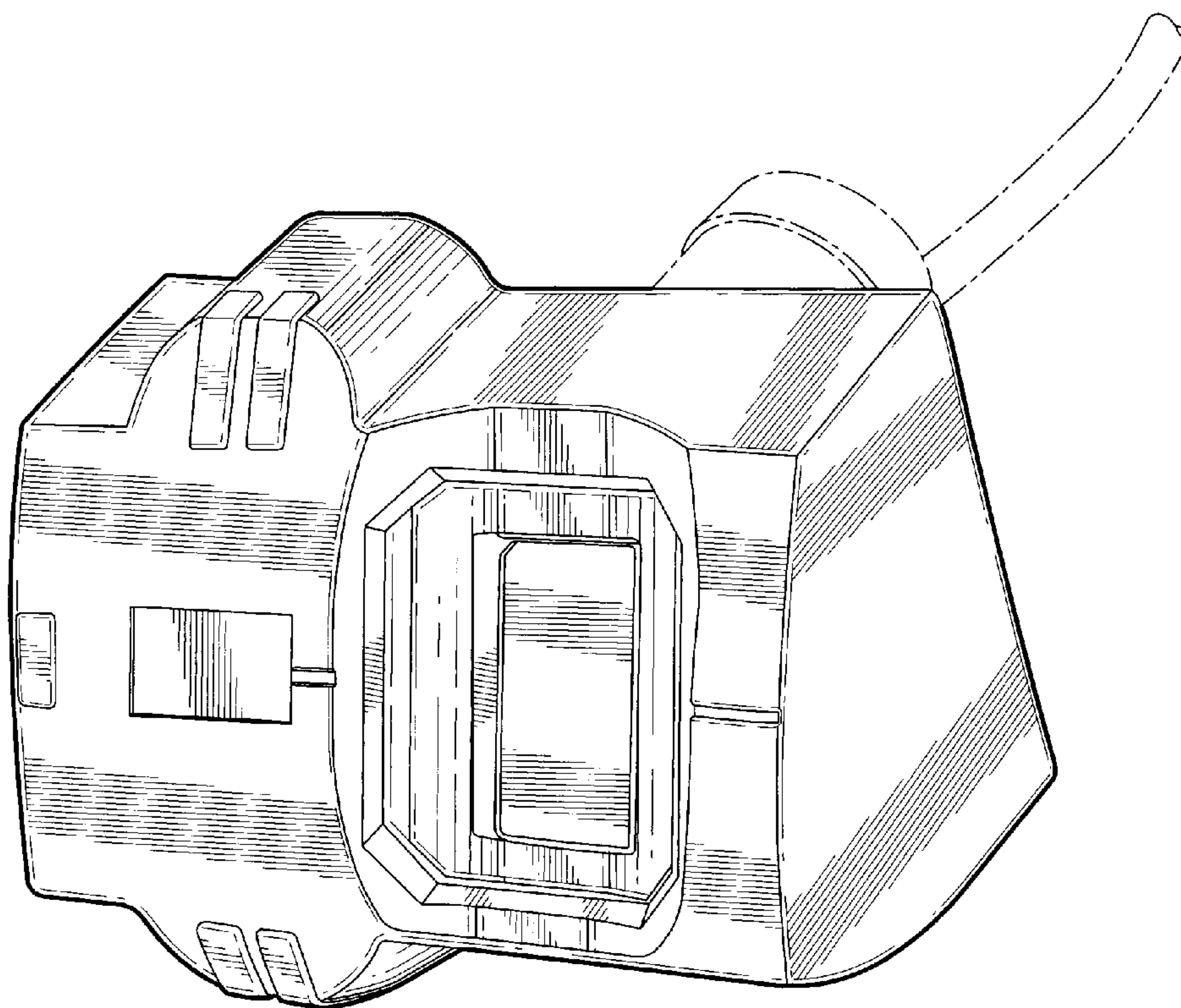
FIG. 5 is a left side elevational view thereof;

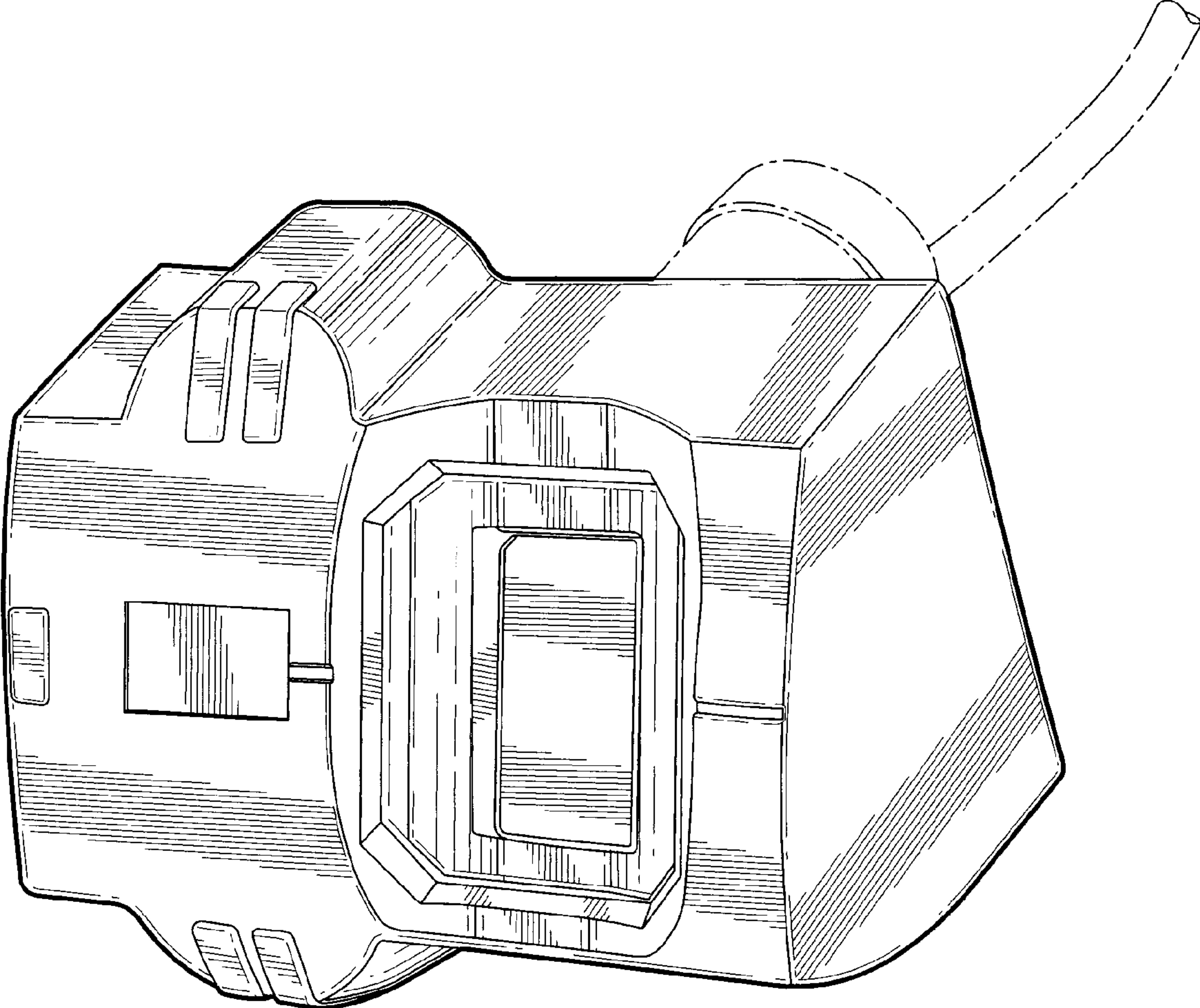
FIG. 6 is a top plan view thereof; and,

FIG. 7 is a bottom plan view thereof.

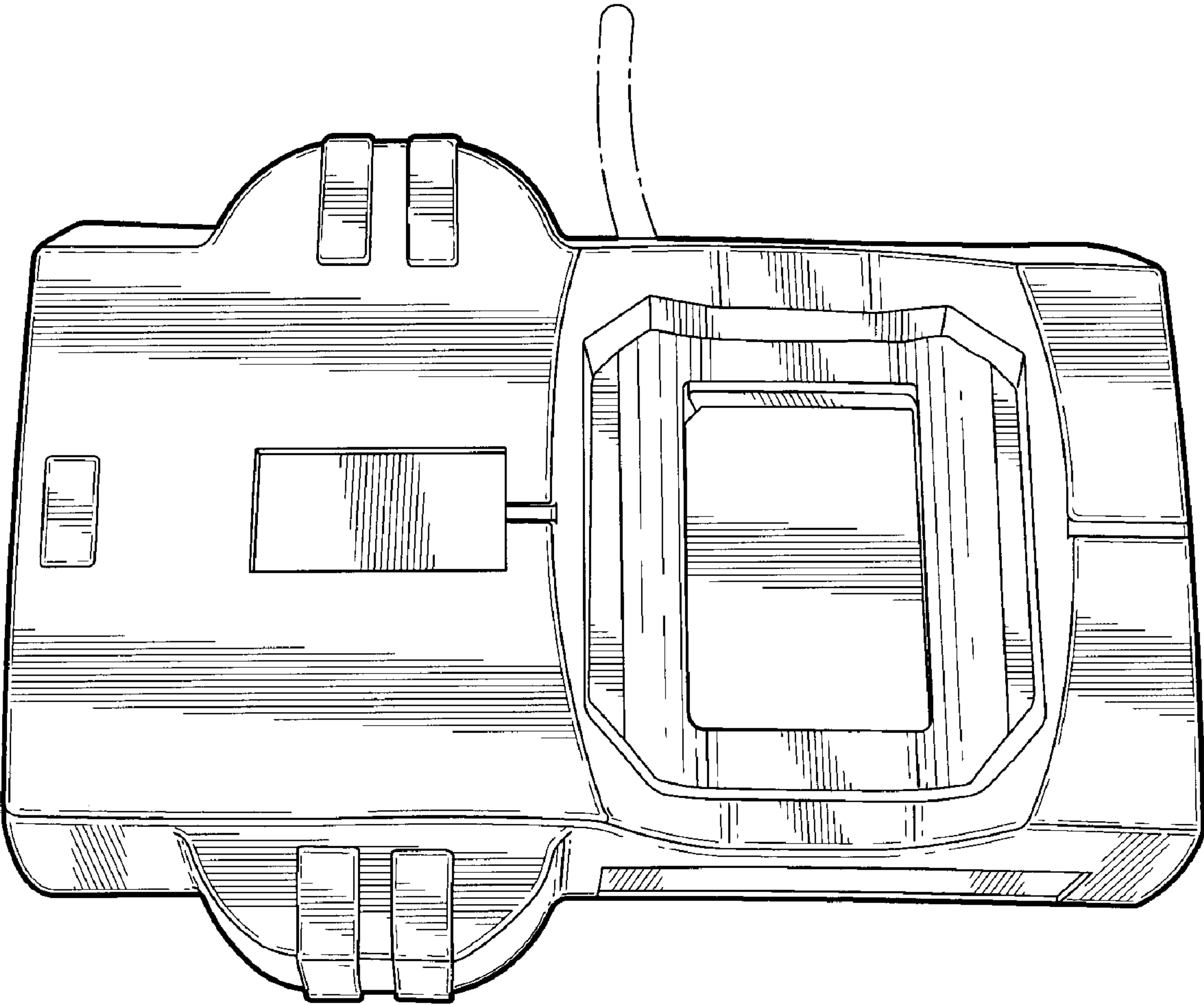
The broken lines in the drawings depict unclaimed environmental subject matter only and form no part of the claimed design.

**1 Claim, 7 Drawing Sheets**

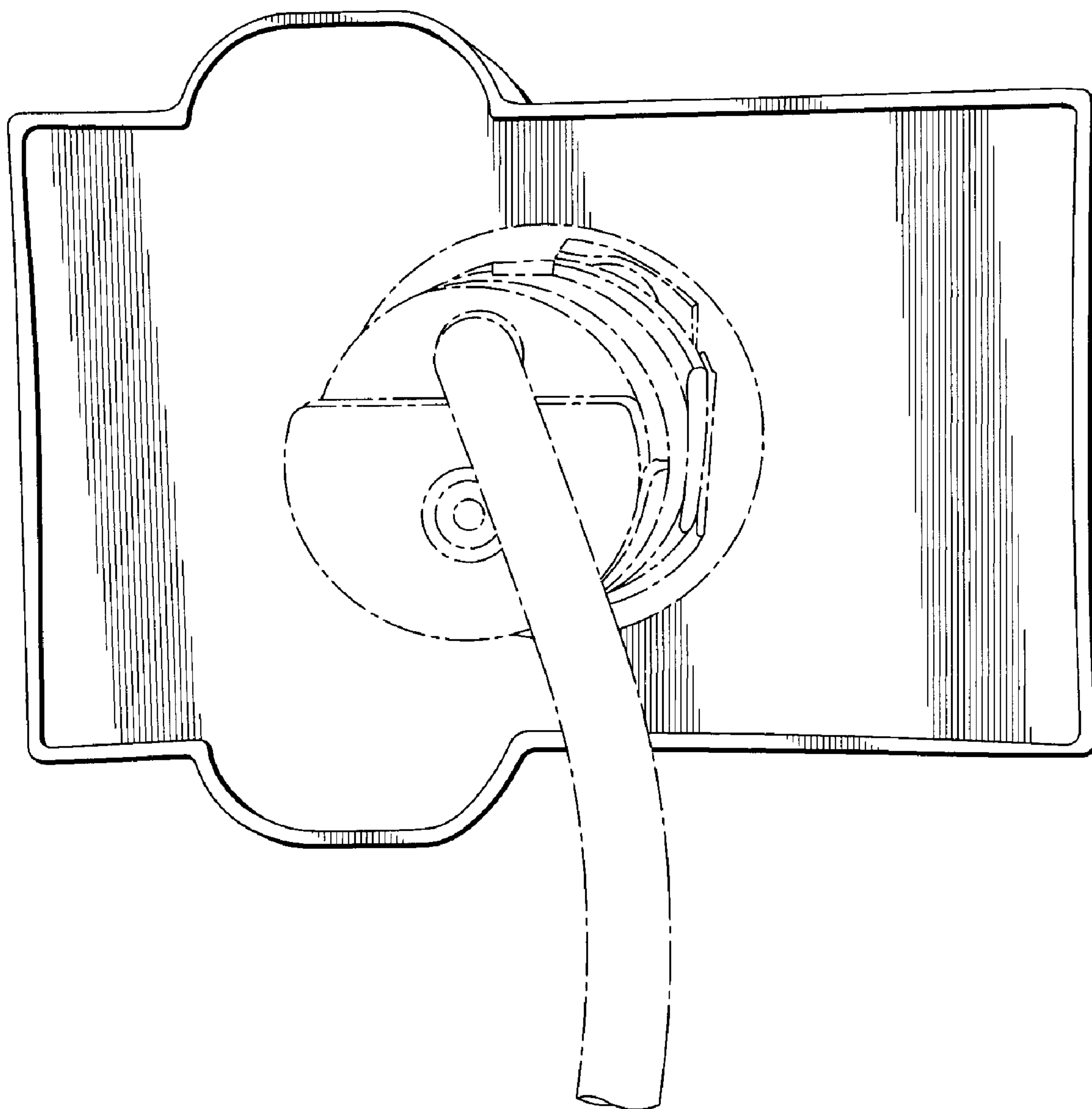




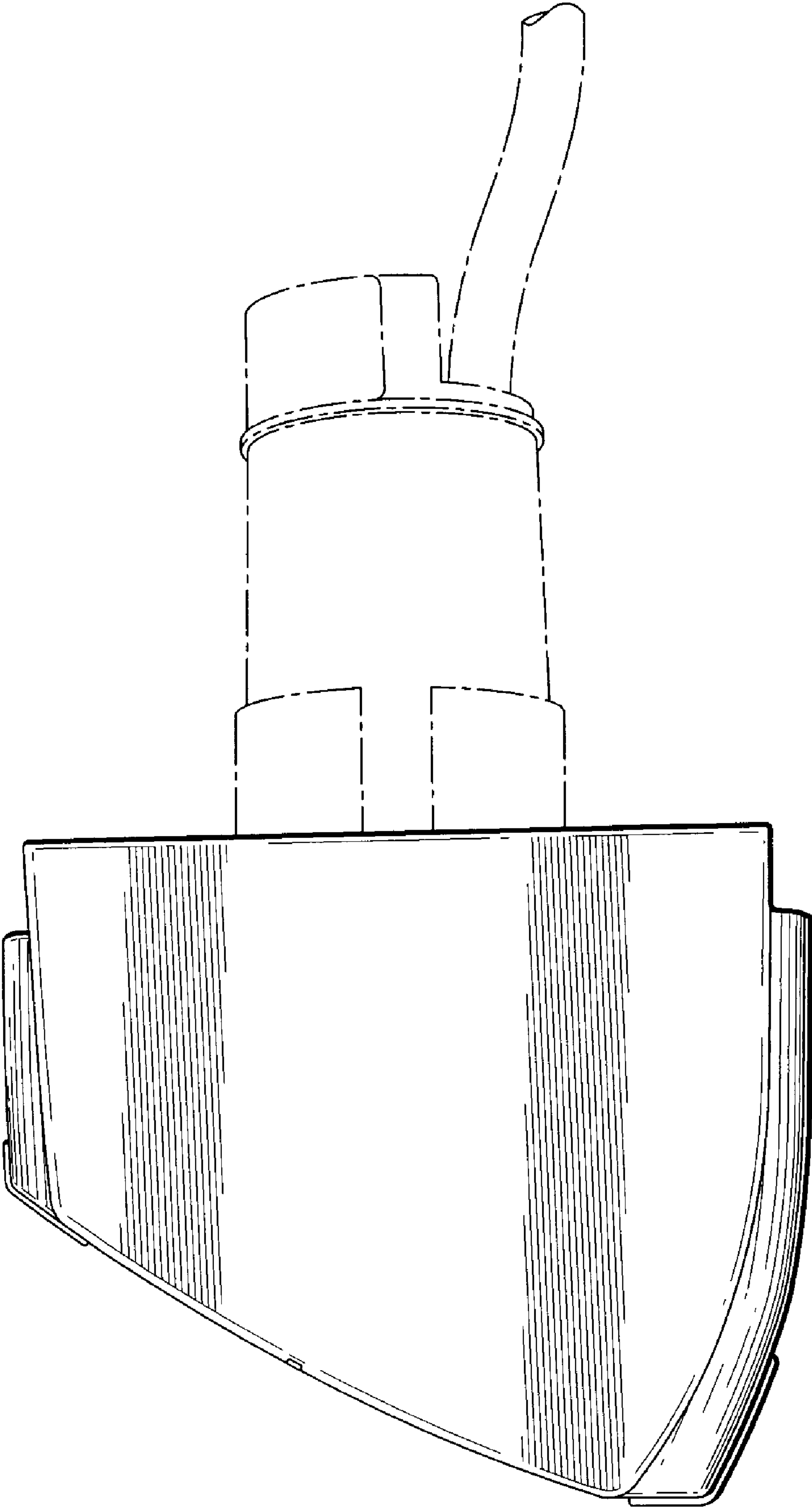
*Fig. 1*



*Fig. 2*

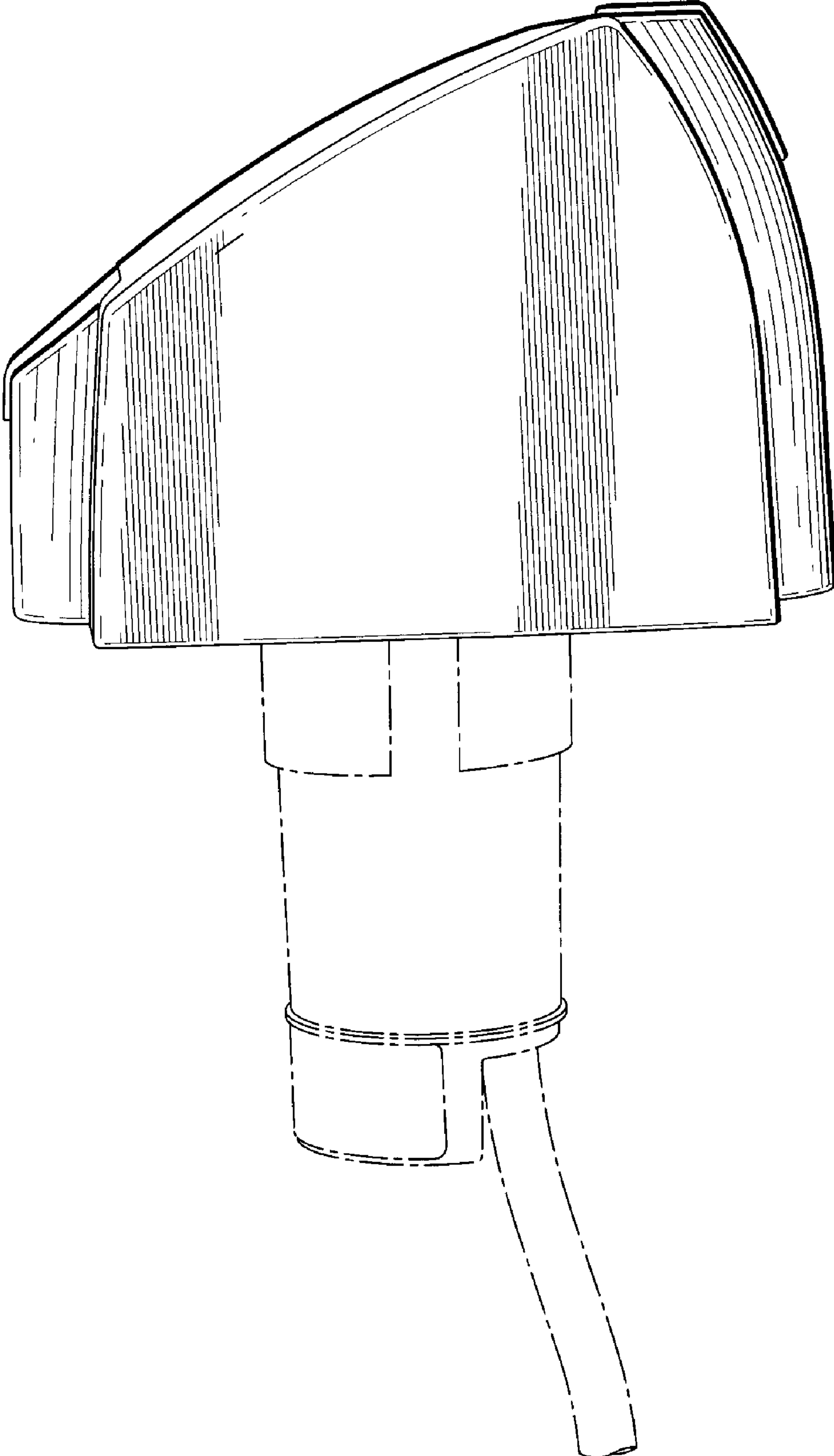


***Fig. 3***

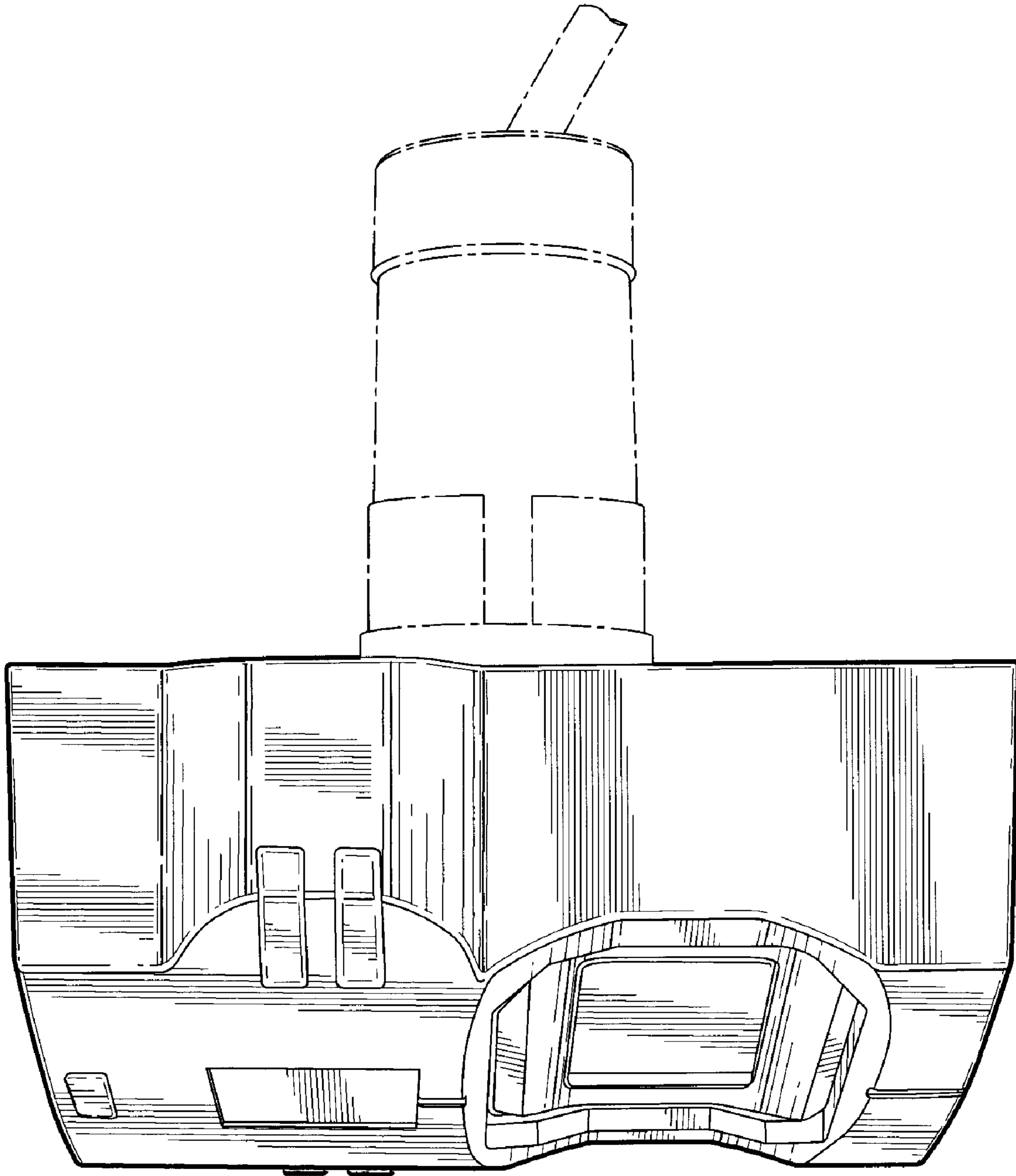


**Fig. 4**

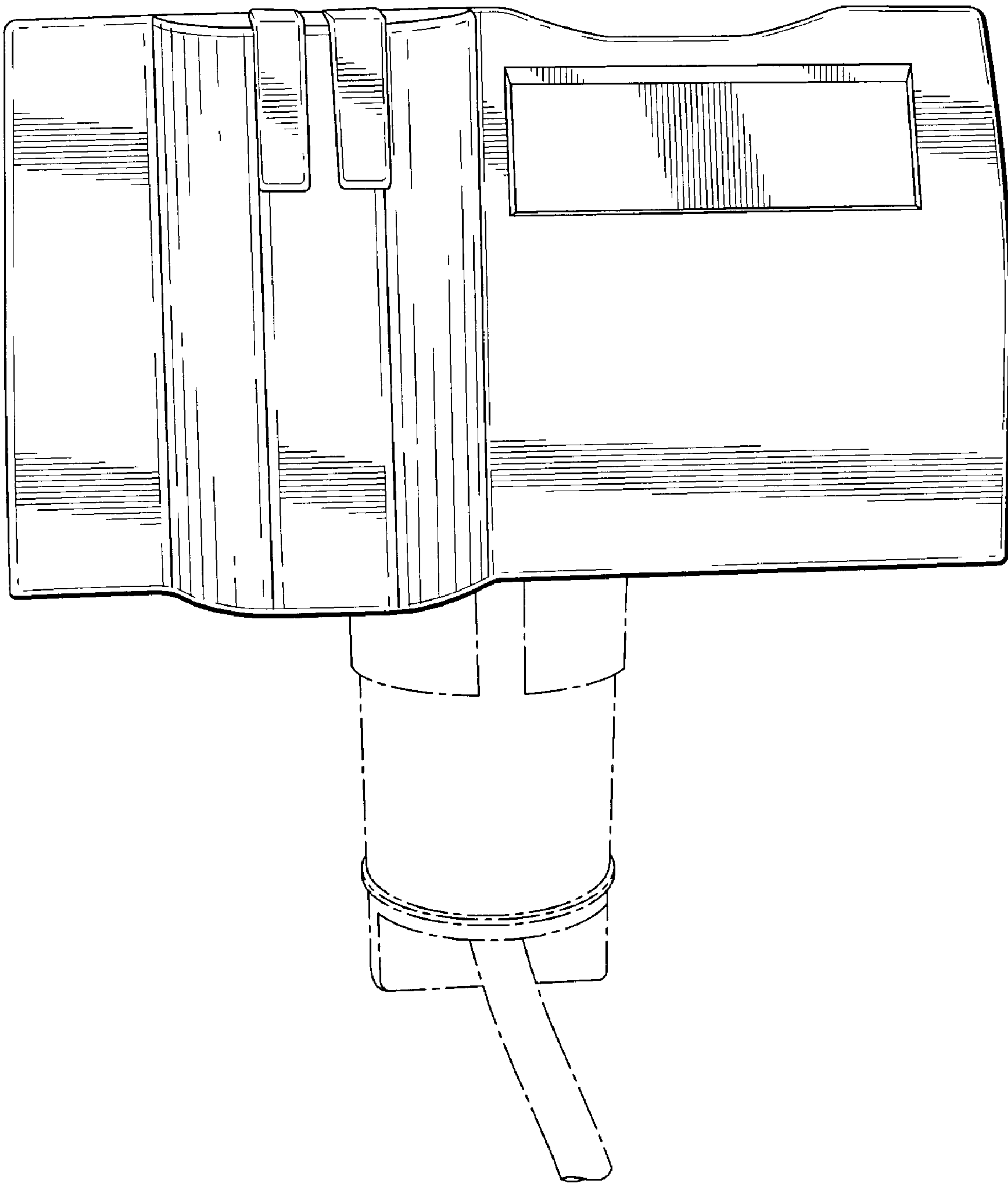




**Fig. 5**



*Fig. 6*



*Fig. 7*