



US00D623142S

(12) **United States Design Patent**
Amidon

(10) **Patent No.:** **US D623,142 S**
(45) **Date of Patent:** **** Sep. 7, 2010**

(54) **F CONNECTOR**

D601,966 S * 10/2009 Shaw D13/151
D601,967 S * 10/2009 Shaw D13/151
D608,294 S * 1/2010 Shaw D13/151

(75) Inventor: **Jeremy Amidon**, Marcellus, NY (US)

(73) Assignee: **John Mezzalingua Associates, Inc.**, E. Syracuse, NY (US)

(**) Term: **14 Years**

* cited by examiner

Primary Examiner—Daniel D Bui

(74) *Attorney, Agent, or Firm*—Schmeiser, Olsen & Watts, LLP

(21) Appl. No.: **29/353,038**

(57) **CLAIM**

(22) Filed: **Dec. 31, 2009**

The ornamental design for an F connector, as shown and described.

(51) **LOC (9) Cl.** **13-03**

(52) **U.S. Cl.** **D13/154; D13/133; D13/151**

(58) **Field of Classification Search** D13/133,
D13/151, 154, 184; 439/13, 20, 22, 135,
439/246, 306, 480, 476.1, 578, 583, 584,
439/585, 805

See application file for complete search history.

DESCRIPTION

FIG. 1 is a front perspective view showing my design for an F connector;

FIG. 2 is a top view thereof, the claimed portion of which is a mirror image to a bottom view;

FIG. 3 is a right side view thereof, the claimed portion of which is a mirror image to a left side view;

FIG. 4 is a front view thereof, on a larger scale; and,

FIG. 5 is a rear view thereof.

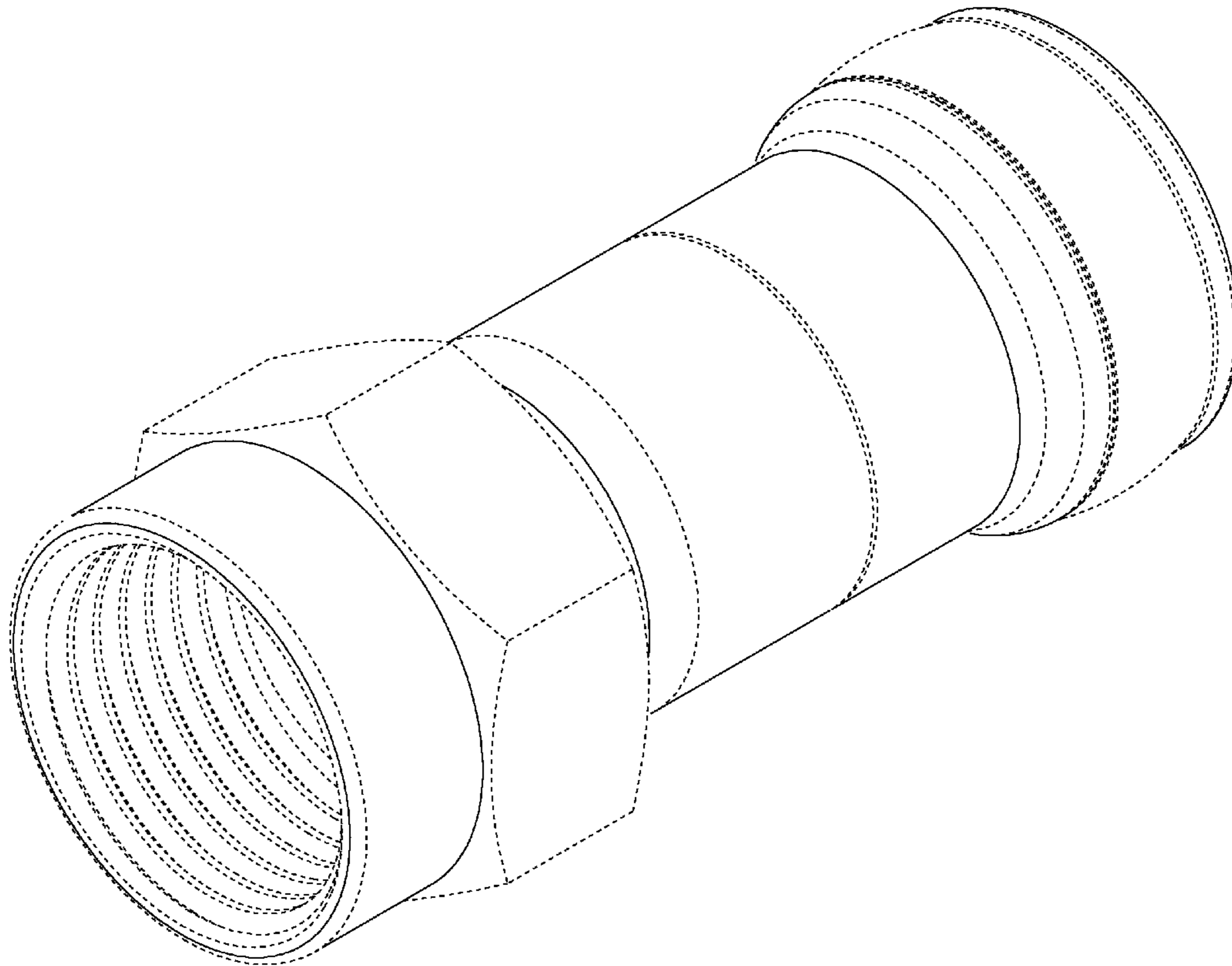
The broken line portion of the figure drawings is included to show unclaimed subject matter only and forms no part of the claimed design.

(56) **References Cited**

U.S. PATENT DOCUMENTS

D505,391 S * 5/2005 Rodrigues et al. D13/151
D518,772 S * 4/2006 Fox D13/133
D519,076 S * 4/2006 Fox D13/133
D519,451 S * 4/2006 Fox D13/133
D521,930 S * 5/2006 Fox D13/133
D535,259 S * 1/2007 Rodrigues et al. D13/151
D601,507 S * 10/2009 Rodrigues D13/151

1 Claim, 5 Drawing Sheets



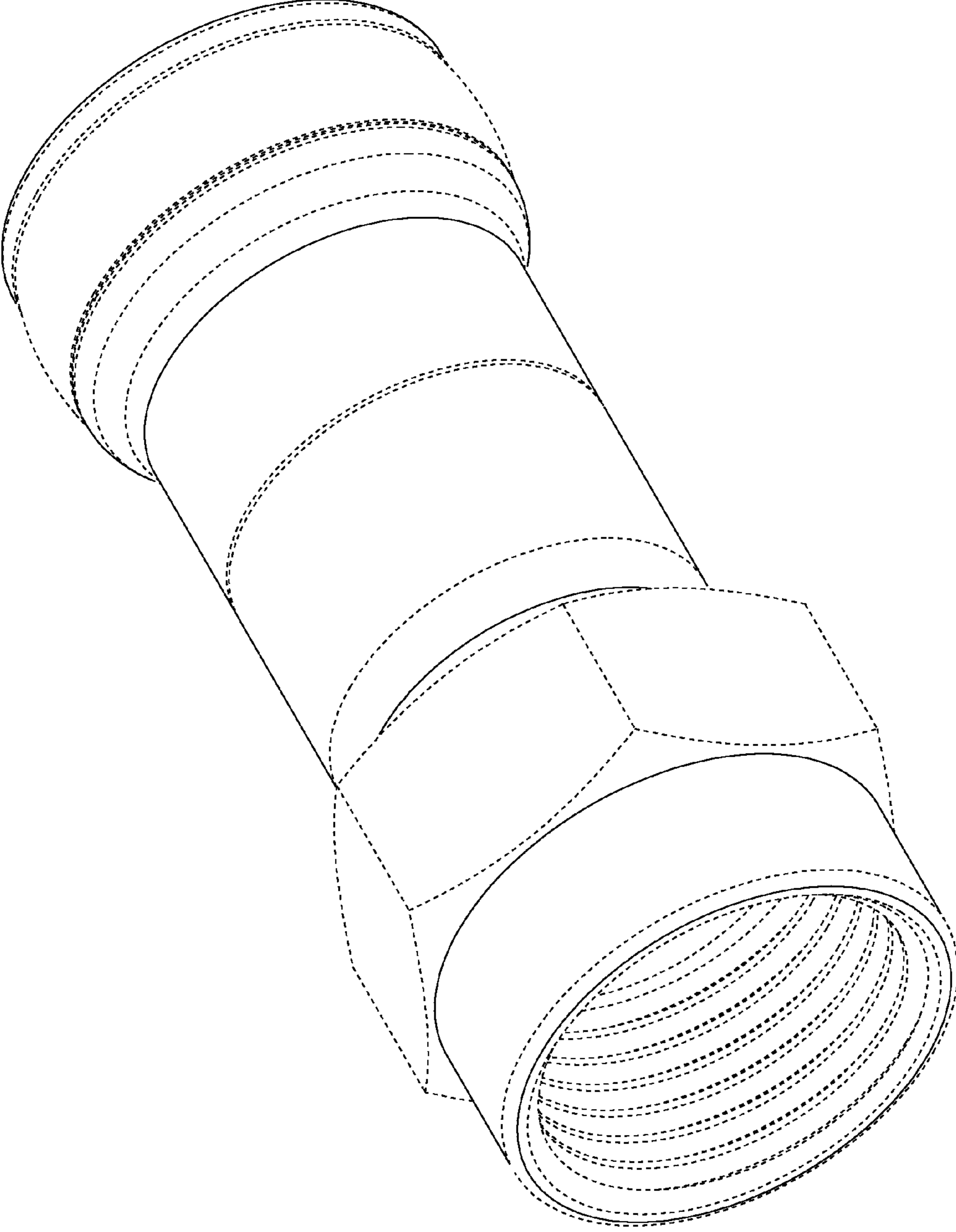


FIG.1

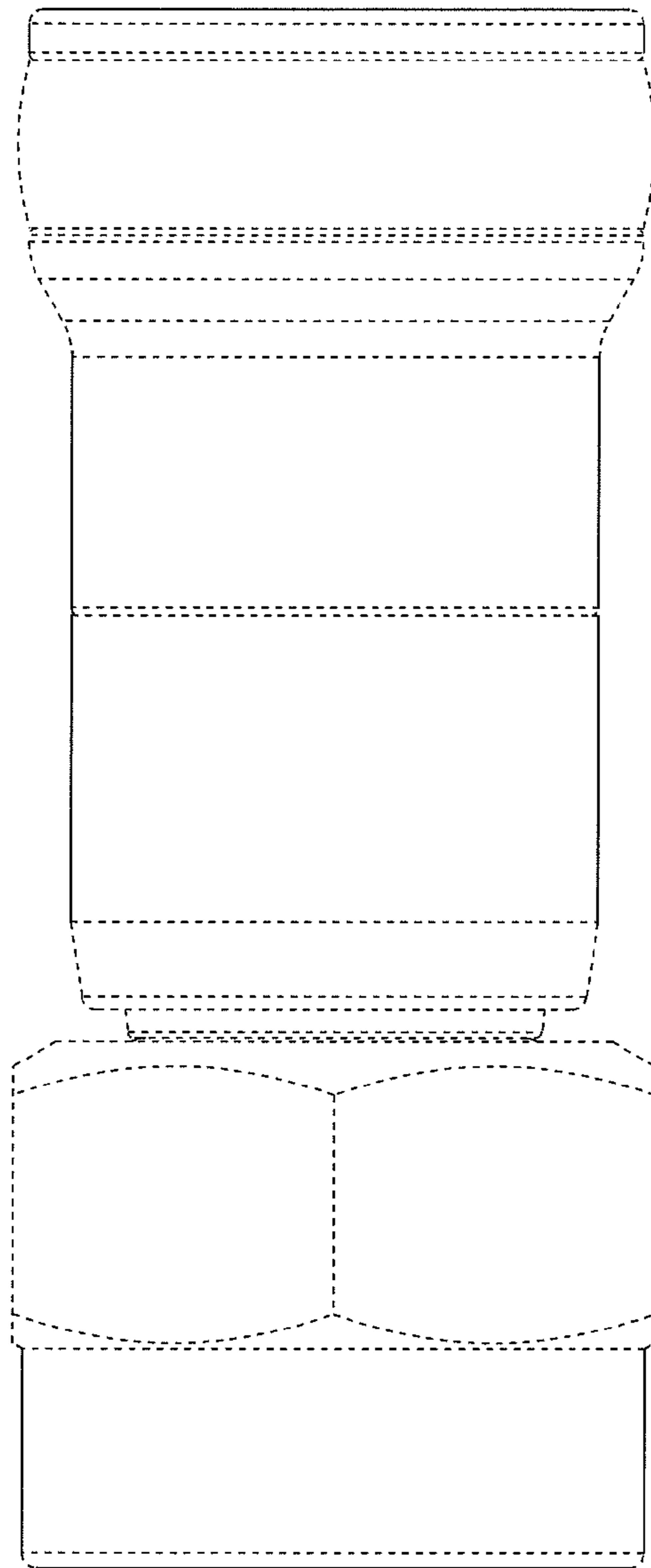


FIG.2

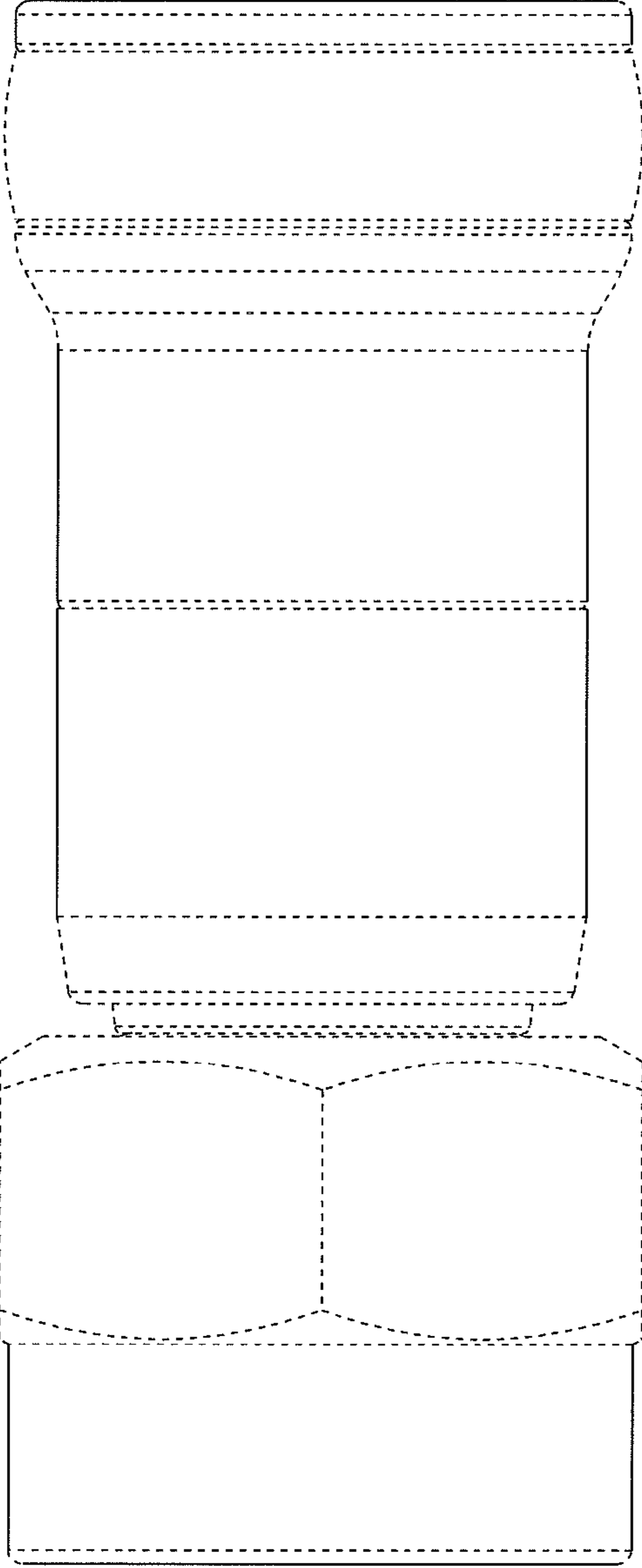


FIG.3

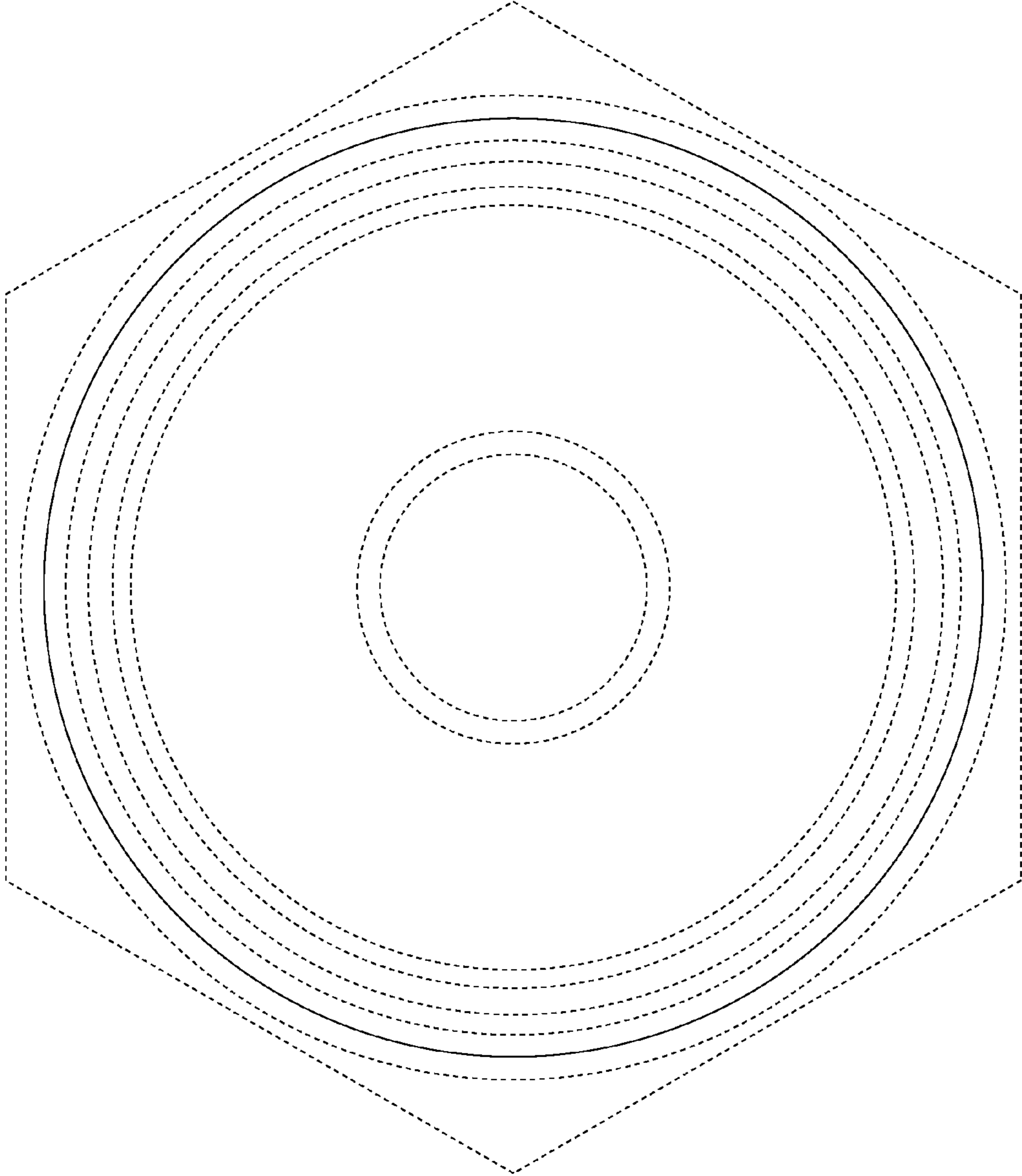


FIG.4

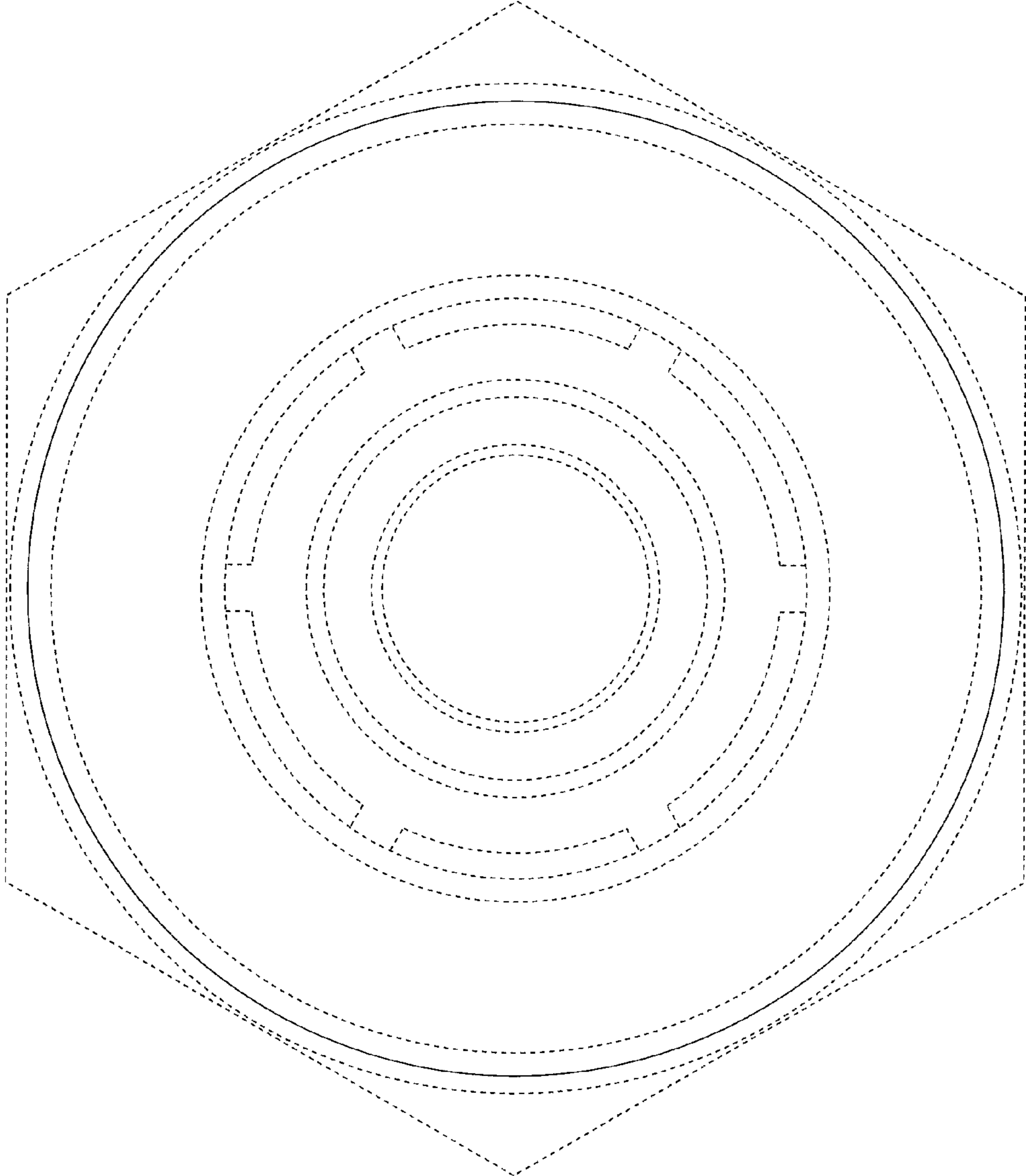


FIG.5