



US00D623140S

(12) **United States Design Patent**  
**Quinn, Jr. et al.**

(10) **Patent No.:** **US D623,140 S**  
(45) **Date of Patent:** **\*\* Sep. 7, 2010**

(54) **STUD ELECTRICAL CONNECTOR**

(75) Inventors: **Thomas H. Quinn, Jr.**, Cincinnati, OH (US); **Thomas M. Sweeney**, Cincinnati, OH (US); **Carl J. Taylor**, Cincinnati, OH (US)

(73) Assignee: **IlSCO Corporation**, Cincinnati, OH (US)

(\*\*) Term: **14 Years**

(21) Appl. No.: **29/340,372**

(22) Filed: **Jul. 17, 2009**

D346,150 S 4/1994 Triantopoulos  
D351,541 S \* 10/1994 Smith ..... D8/28  
5,533,913 A 7/1996 Boehm et al.  
5,931,708 A 8/1999 Annas et al.  
5,957,733 A \* 9/1999 Mello et al. .... 439/814  
6,338,658 B1 1/2002 Sweeney  
D464,046 S \* 10/2002 Aoki ..... D14/260  
6,579,131 B1 \* 6/2003 Ashcraft et al. .... 439/798

**Related U.S. Application Data**

(63) Continuation-in-part of application No. 11/962,807, filed on Dec. 21, 2007, now abandoned, and a continuation-in-part of application No. 12/183,397, filed on Jul. 31, 2008.

(51) **LOC (9) Cl.** ..... **13-03**

(52) **U.S. Cl.** ..... **D13/151**

(58) **Field of Classification Search** ..... D13/133, D13/148, 149, 151, 184, 123, 124, 154; 439/362, 439/387, 431, 815, 793-814; 361/686, 687, 361/703, 725; D14/100, 107, 114, 118  
See application file for complete search history.

(56) **References Cited**

**U.S. PATENT DOCUMENTS**

3,609,657 A 9/1971 Stanback  
4,146,290 A 3/1979 Annas et al.  
4,214,806 A 7/1980 Kraft  
D259,635 S \* 6/1981 Plummer ..... D13/151  
4,327,957 A \* 5/1982 Cooper et al. .... 439/814  
4,513,169 A 4/1985 McGrane  
D296,545 S \* 7/1988 Sachs ..... D13/149  
D296,546 S \* 7/1988 Sachs ..... D13/149  
D302,420 S \* 7/1989 McGrane ..... D13/151  
4,899,963 A 2/1990 Murphy  
D307,541 S \* 5/1990 Tres ..... D8/396  
D309,664 S \* 7/1990 McGrane ..... D13/151  
D320,381 S \* 10/1991 McGrane ..... D13/147

(Continued)

**OTHER PUBLICATIONS**

Volta Corporation, North American Connector Website material, Jun. 2, 2008, 10 pgs.

(Continued)

*Primary Examiner*—Daniel D Bui

*Assistant Examiner*—Thomas J Johannes

(74) *Attorney, Agent, or Firm*—Wood, Herron & Evans, LLP

(57) **CLAIM**

An ornamental design for a stud electrical connector, as shown and described.

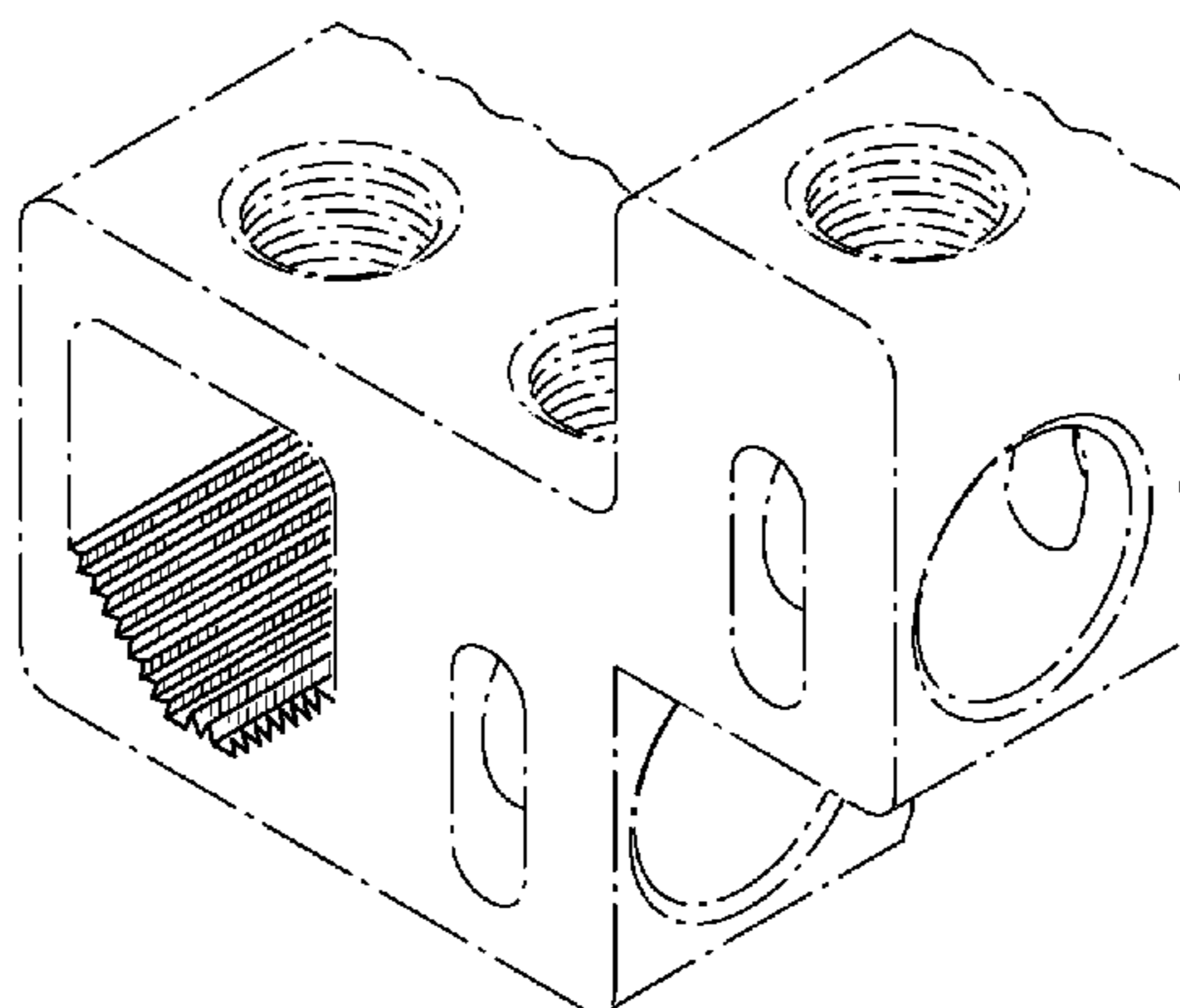
**DESCRIPTION**

FIG. 1 is a front perspective view a stud electrical connector showing our new design; and,

FIG. 2 is left side elevational view thereof with the right side elevational view being a mirror image thereof.

The broken line portion of the figure drawings is included to show unclaimed subject matter only and forms no part of the claimed design; the wavy broken line portion in FIG. 1 shows that no specific length is claimed.

**1 Claim, 1 Drawing Sheet**



# US D623,140 S

Page 2

---

## U.S. PATENT DOCUMENTS

D487,062 S \* 2/2004 Foster ..... D13/151  
D494,520 S \* 8/2004 Huang ..... D12/193  
6,769,941 B2 8/2004 Norden  
6,939,183 B2 9/2005 Ferretti et al.  
7,014,514 B2 \* 3/2006 Zahnen ..... 439/798  
7,052,333 B2 \* 5/2006 Siracki et al. .... 439/798  
7,311,564 B2 \* 12/2007 Zahnen ..... 439/798  
7,338,333 B2 3/2008 Norden  
7,438,607 B2 \* 10/2008 Fong ..... 439/810  
7,481,684 B2 \* 1/2009 Bundren ..... 439/798

7,520,786 B2 \* 4/2009 Triantopoulos et al. .... 439/798  
7,607,955 B2 \* 10/2009 Hill et al. .... 439/798  
D613,806 S \* 4/2010 Donaldson ..... D21/793  
2006/0276084 A1 \* 12/2006 Norden ..... 439/814  
2007/0167087 A1 7/2007 Tamm et al.

## OTHER PUBLICATIONS

U.S. Patent and Trademark Office, Office Action for U.S. Appl. No.  
11/962,807, dated Mar. 11, 2009, 15 pgs.

\* cited by examiner

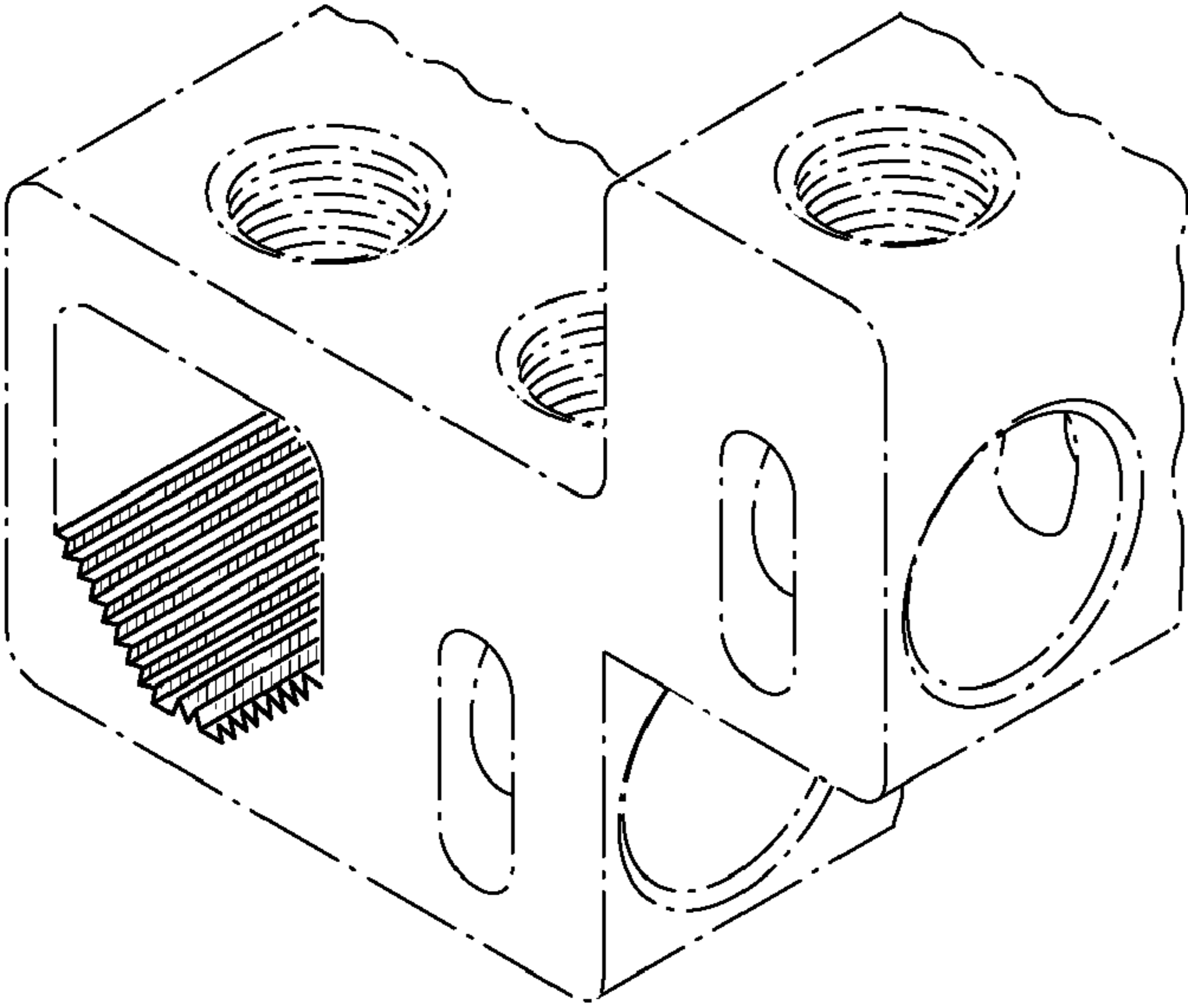


FIG. 1

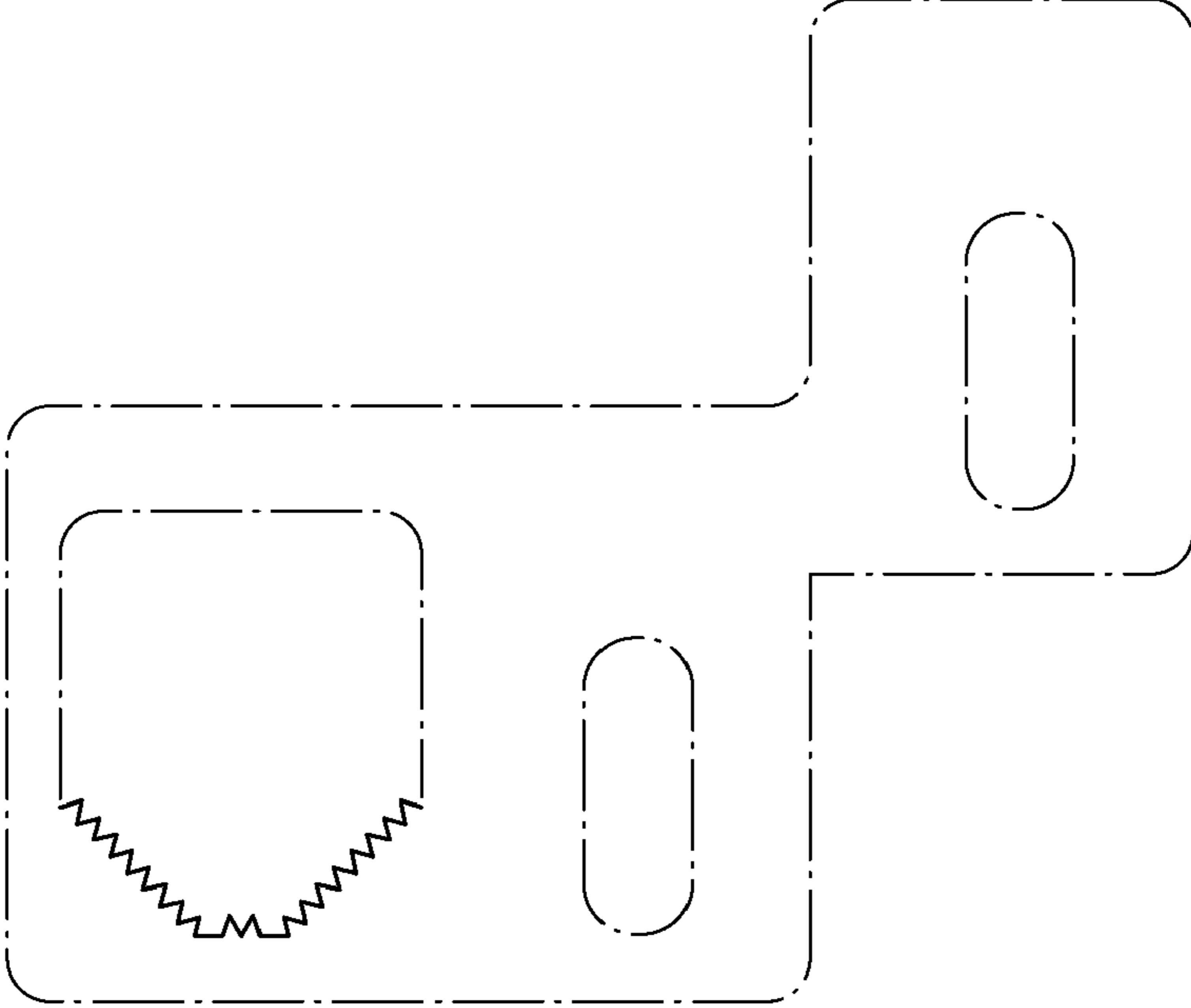


FIG. 2