



US00D623139S

(12) **United States Design Patent**  
**Nanao et al.**

(10) **Patent No.:** **US D623,139 S**  
(45) **Date of Patent:** **\*\* Sep. 7, 2010**

(54) **ELECTRICAL CONNECTOR**

(75) Inventors: **Shingo Nanao**, Tokyo (JP); **Yasufumi Yahiro**, Tokyo (JP); **Masayuki Kikuchi**, Tokyo (JP); **Keizo Kai**, Tokyo (JP); **Kazushi Kamata**, Hirosaki (JP)

(73) Assignee: **Japan Aviation Electronics Industry, Limited**, Tokyo (JP)

(\*\*) Term: **14 Years**

(21) Appl. No.: **29/349,299**

(22) Filed: **Mar. 23, 2010**

(30) **Foreign Application Priority Data**

Oct. 7, 2009 (JP) ..... 2009-023545

(51) **LOC (9) Cl.** ..... **13-03**

(52) **U.S. Cl.** ..... **D13/147**

(58) **Field of Classification Search** ..... D13/146-147, D13/154, 156, 184; 439/159-160, 260, 325, 439/329, 395, 492, 495, 607.01, 607.04, 439/607.05, 607.17, 607.25, 607.34, 607.41, 439/607.53, 630

See application file for complete search history.

(56) **References Cited**

**U.S. PATENT DOCUMENTS**

D456,777 S \* 5/2002 Igarashi ..... D13/147

D456,780 S \* 5/2002 Igarashi ..... D13/147  
D489,335 S \* 5/2004 Ko ..... D13/147  
D598,862 S \* 8/2009 Chen ..... D13/147  
D608,290 S \* 1/2010 Ikari ..... D13/147  
D608,291 S \* 1/2010 Ikari ..... D13/147

\* cited by examiner

*Primary Examiner*—Daniel D Bui

(74) *Attorney, Agent, or Firm*—Collard & Roe, P.C.

(57) **CLAIM**

The ornamental design for an electrical connector, as shown and described.

**DESCRIPTION**

FIG. 1 is a front elevational view of an electrical connector, showing our new design;

FIG. 2 is a rear elevational view thereof;

FIG. 3 is a left side elevational view thereof;

FIG. 4 is a right side elevational view thereof;

FIG. 5 is a top plan view thereof;

FIG. 6 is a bottom plan view thereof;

FIG. 7 is a front, top and right side perspective view thereof; and,

FIG. 8 is a rear, top and right side perspective view thereof.

**1 Claim, 7 Drawing Sheets**

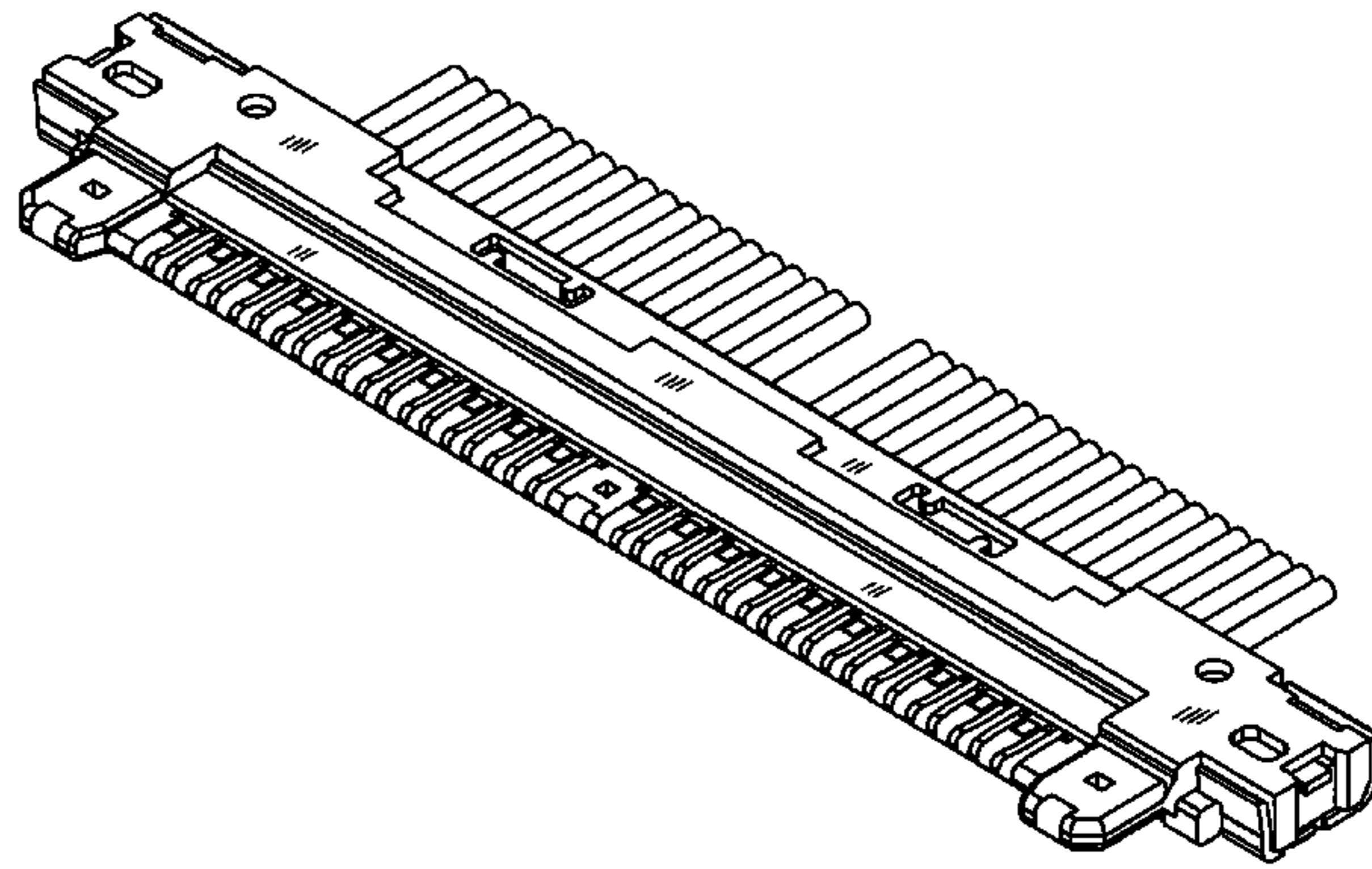
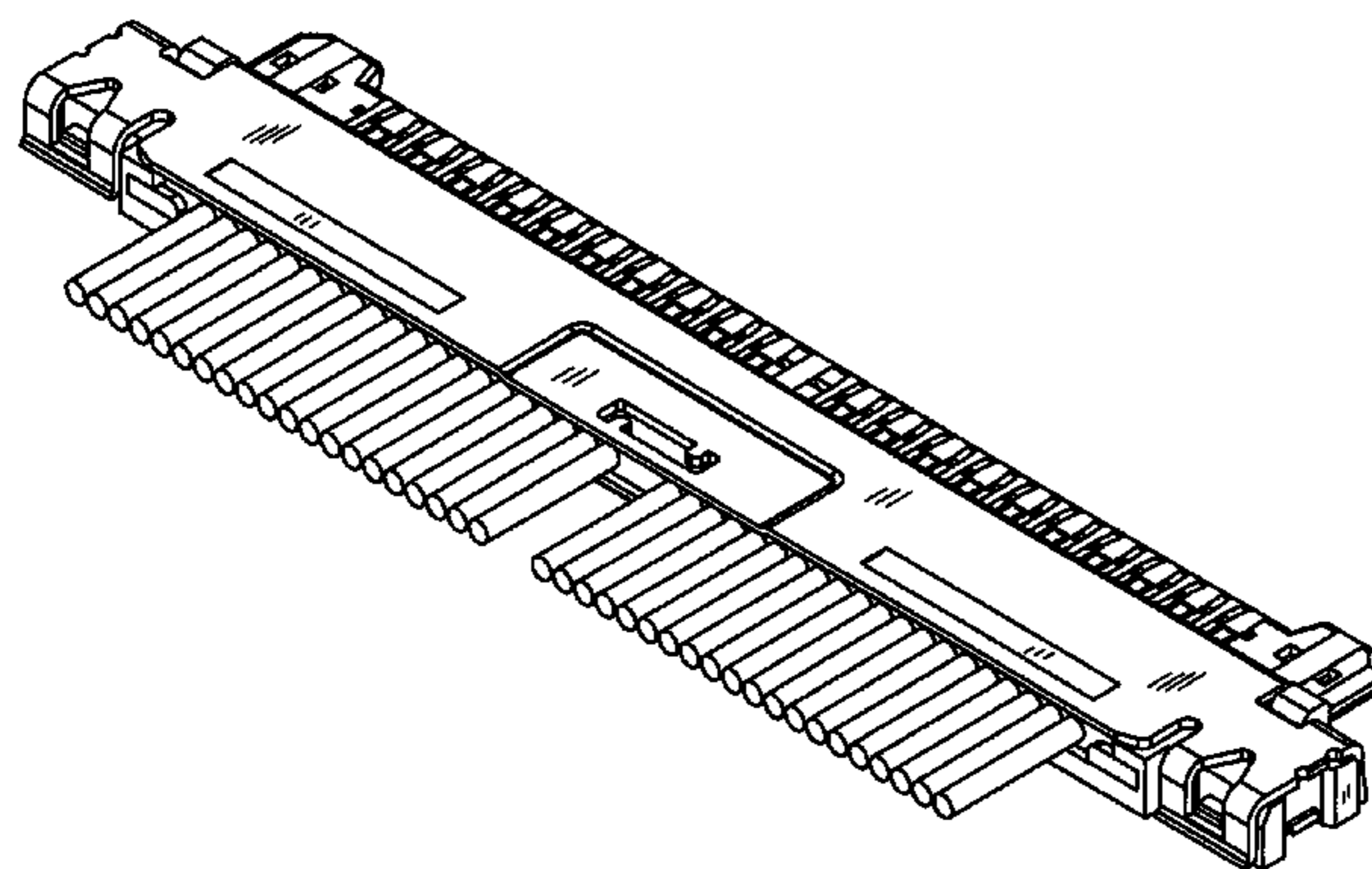




FIG. 1

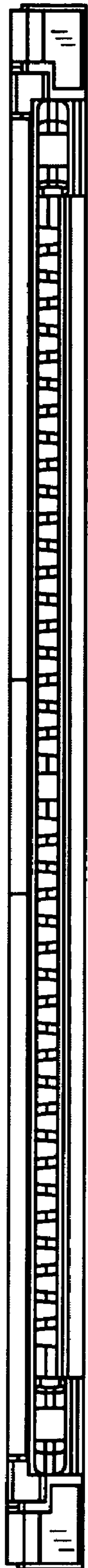


FIG. 2

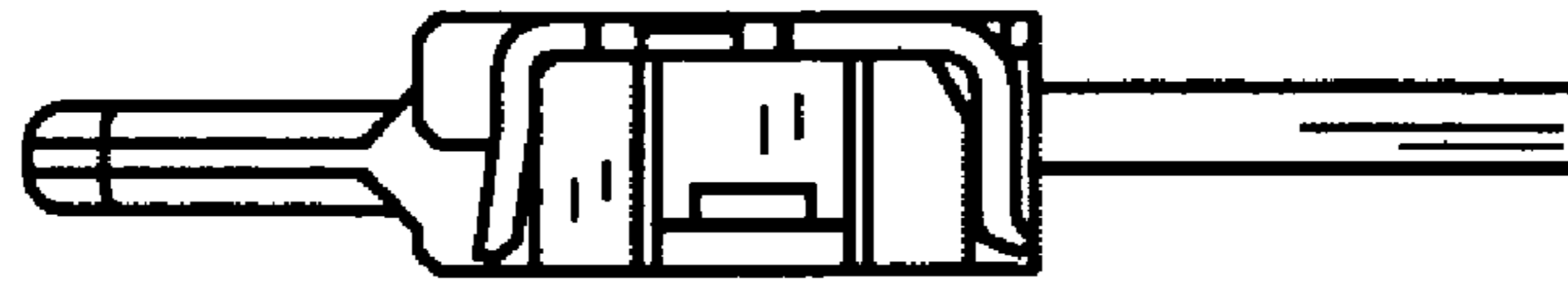


FIG. 3



FIG. 4

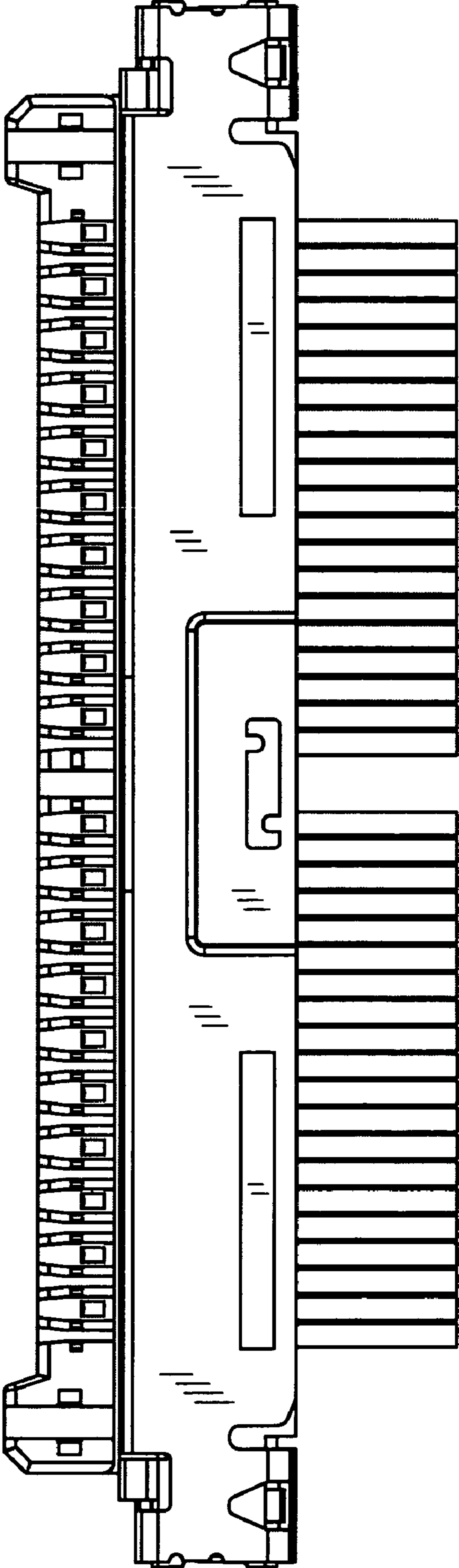


FIG. 5

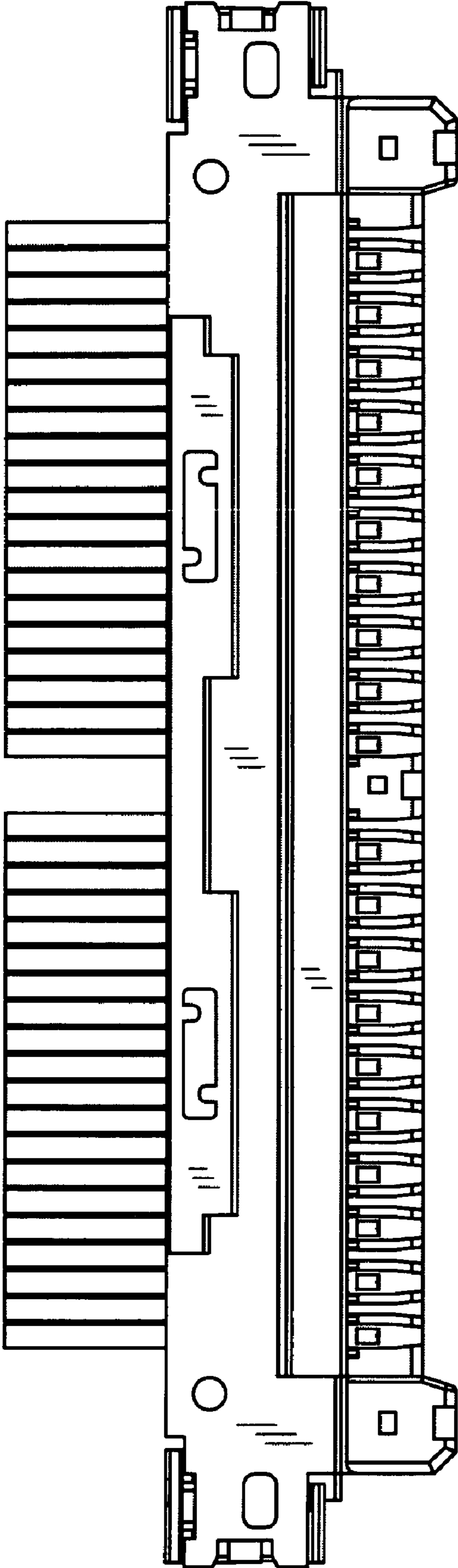


FIG. 6



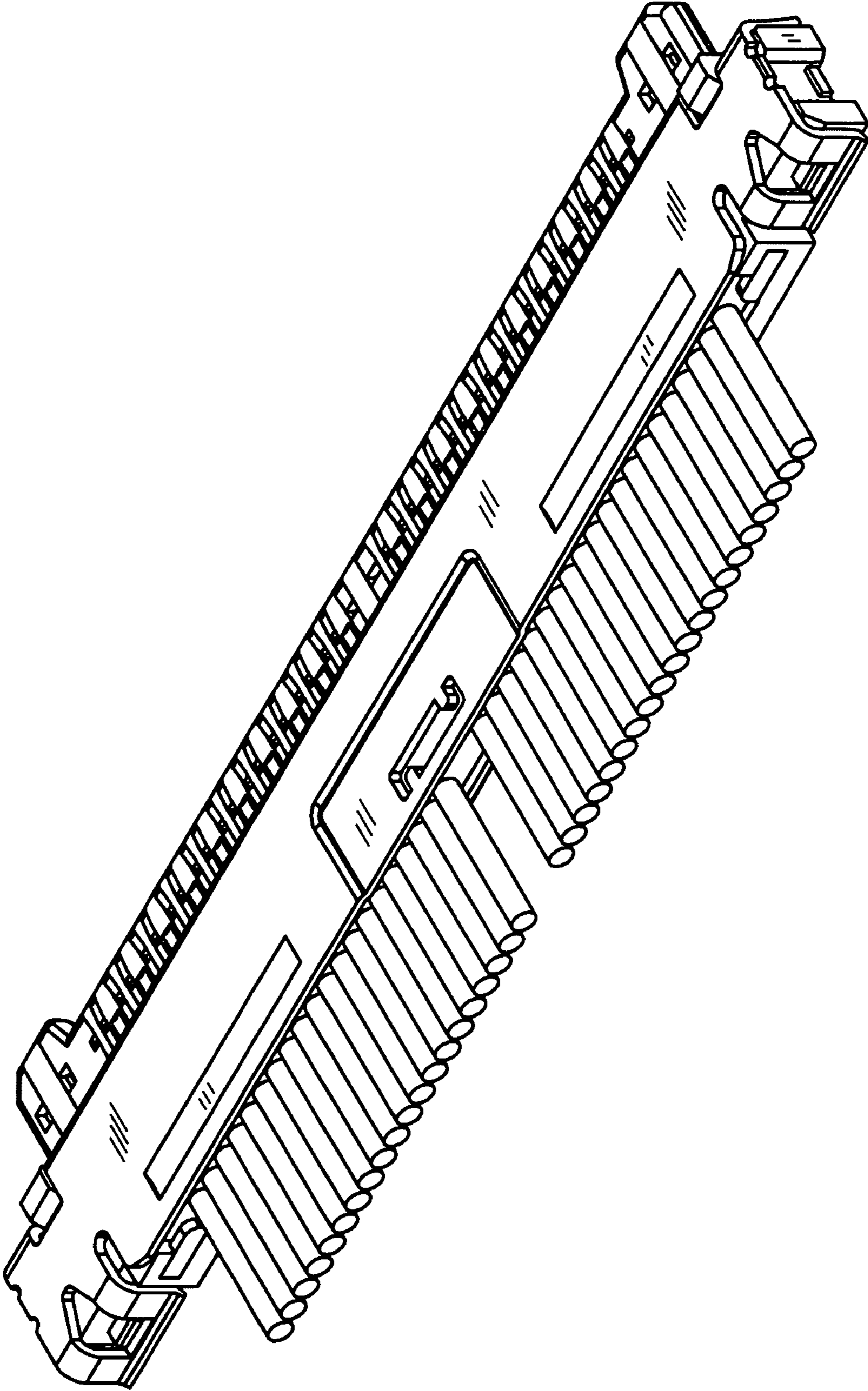


FIG. 7

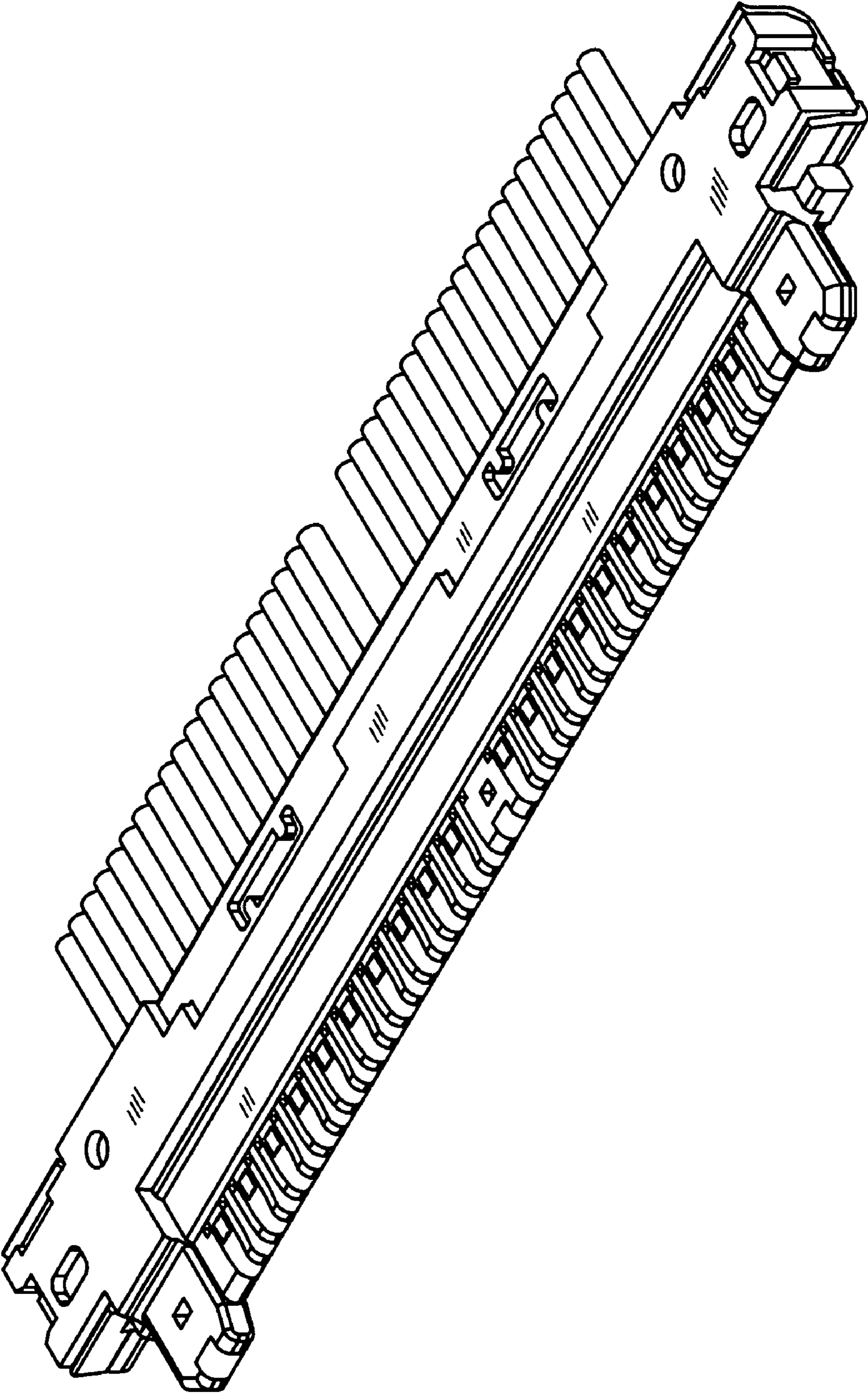


FIG. 8