



US00D623137S

(12) **United States Design Patent**
Suetake et al.

(10) **Patent No.:** **US D623,137 S**
(45) **Date of Patent:** **** Sep. 7, 2010**

(54) **CONTROLLER EXPANDER**

D568,821 S 5/2008 Ashida et al.
D568,823 S 5/2008 Ashida et al.

(75) Inventors: **Fumiyoshi Suetake**, Kyoto (JP);
Noboru Wakitani, Kyoto (JP); **Masato**
Ibuki, Kyoto (JP); **Junji Takamoto**,
Kyoto (JP)

OTHER PUBLICATIONS

U.S. Appl. No. 11/905,903, filed Oct. 5, 2007.

* cited by examiner

Primary Examiner—Nanda Bondade

(74) *Attorney, Agent, or Firm*—Nixon & Vanderhye, P.C.

(73) Assignee: **Nintendo Co., Ltd.**, Kyoto (JP)

(**) Term: **14 Years**

(57) **CLAIM**

(21) Appl. No.: **29/330,359**

The ornamental design for a controller expander, as shown and described.

(22) Filed: **Jan. 6, 2009**

(30) **Foreign Application Priority Data**

DESCRIPTION

Jul. 11, 2008 (JP) 2008-017969
Jul. 11, 2008 (JP) 2008-017992
Oct. 1, 2008 (JP) 2008-025255

FIG. 1 is a front, top and left perspective view of a controller expander of our new design;

FIG. 2 is a rear, bottom and right perspective view thereof;

FIG. 3 is a front view thereof;

(51) **LOC (9) Cl.** **13-03**

FIG. 4 is a rear view thereof;

(52) **U.S. Cl.** **D13/147; D13/133**

FIG. 5 is a top plan view thereof;

(58) **Field of Classification Search** D13/133,
D13/146–147, 154, 184; 439/278, 282, 290–293,
439/328, 352, 483, 592–593, 607.08, 660,
439/680

FIG. 6 is a bottom plan thereof;

FIG. 7 is a left side view thereof;

See application file for complete search history.

FIG. 8 is a right side view thereof;

FIG. 9 is a front view thereof, attached to a controller; and,

(56) **References Cited**

U.S. PATENT DOCUMENTS

5,876,248 A * 3/1999 Bruner et al. 439/607.08
D481,683 S * 11/2003 Lai D13/147
D558,677 S 1/2008 Ashida et al.
D558,682 S 1/2008 Ashida et al.
D559,178 S 1/2008 Ashida et al.

FIG. 10 is a right side view thereof, attached to a controller.

The broken line showing on the drawing disclosure is for illustrative purposes only and forms no part of the claimed design.

1 Claim, 5 Drawing Sheets

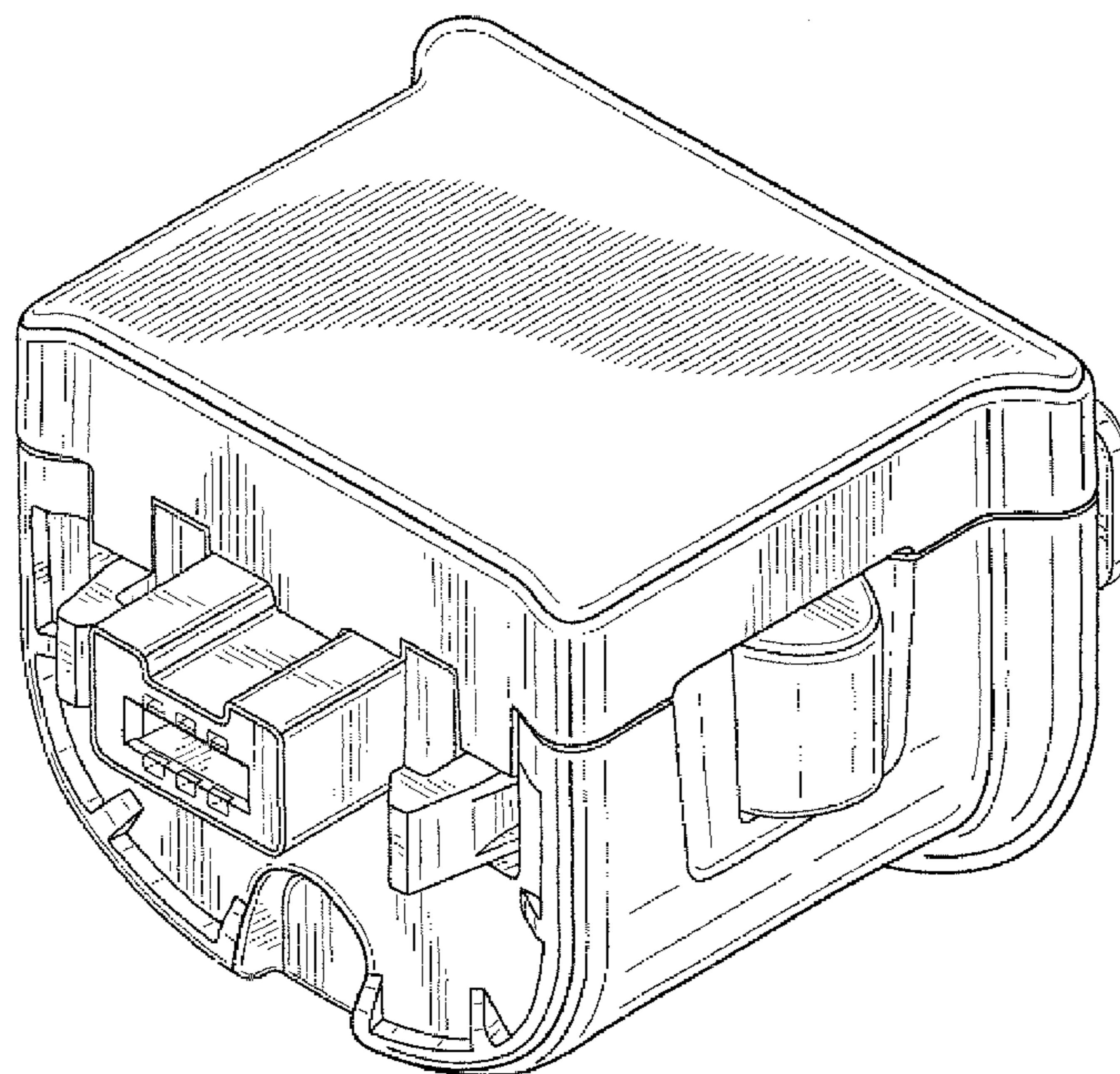


FIG. 1

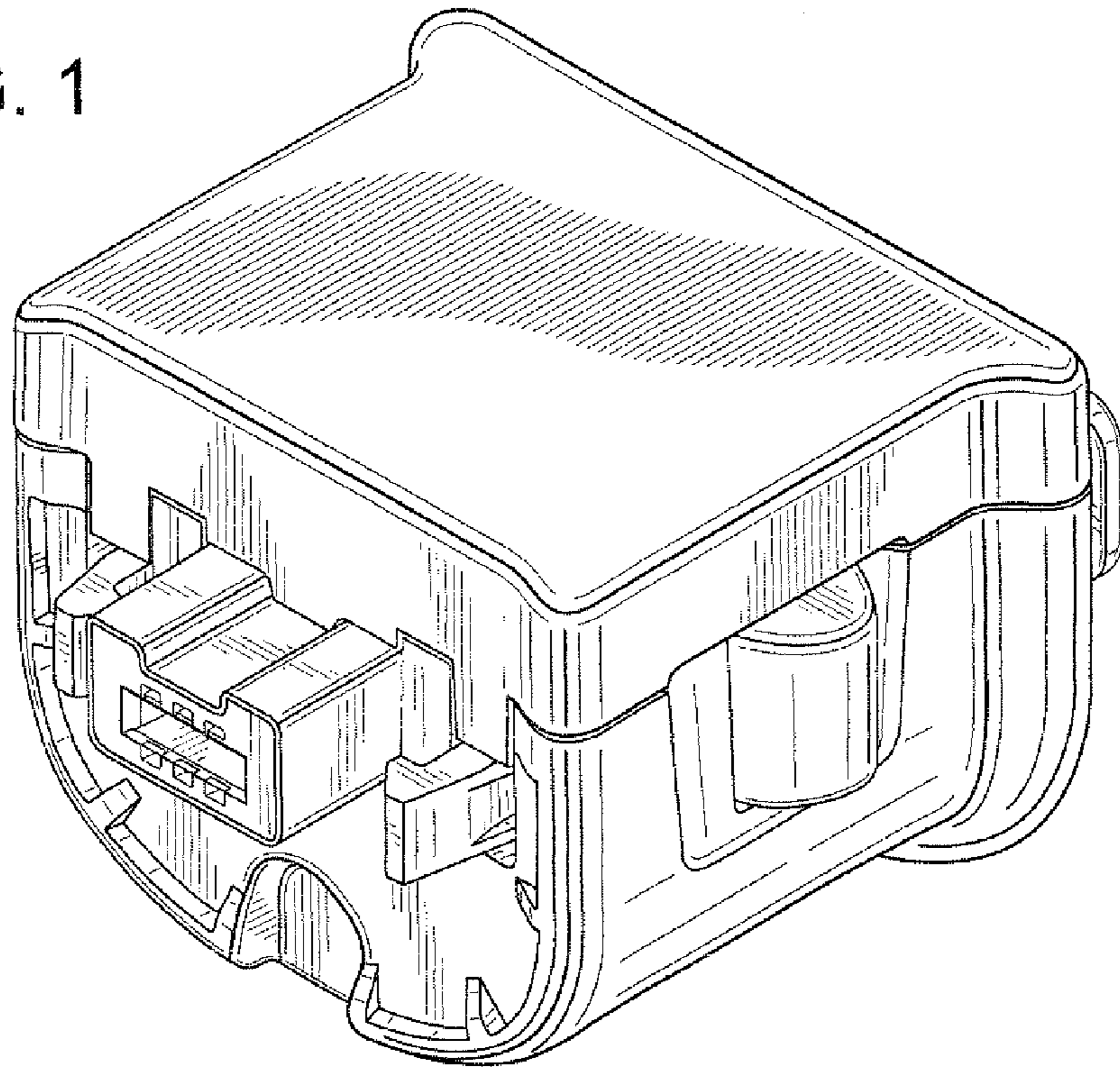


FIG. 2

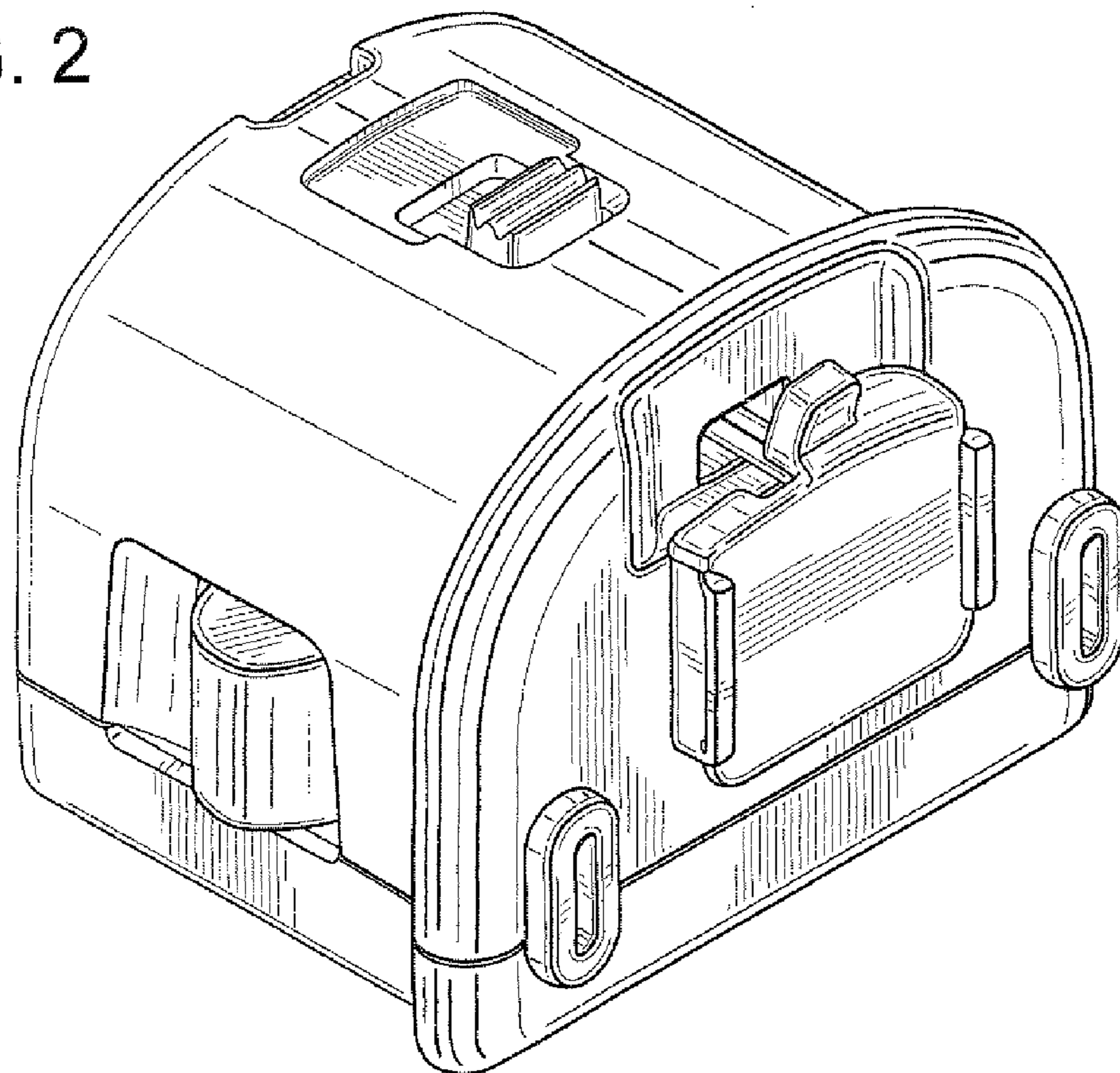


FIG. 3

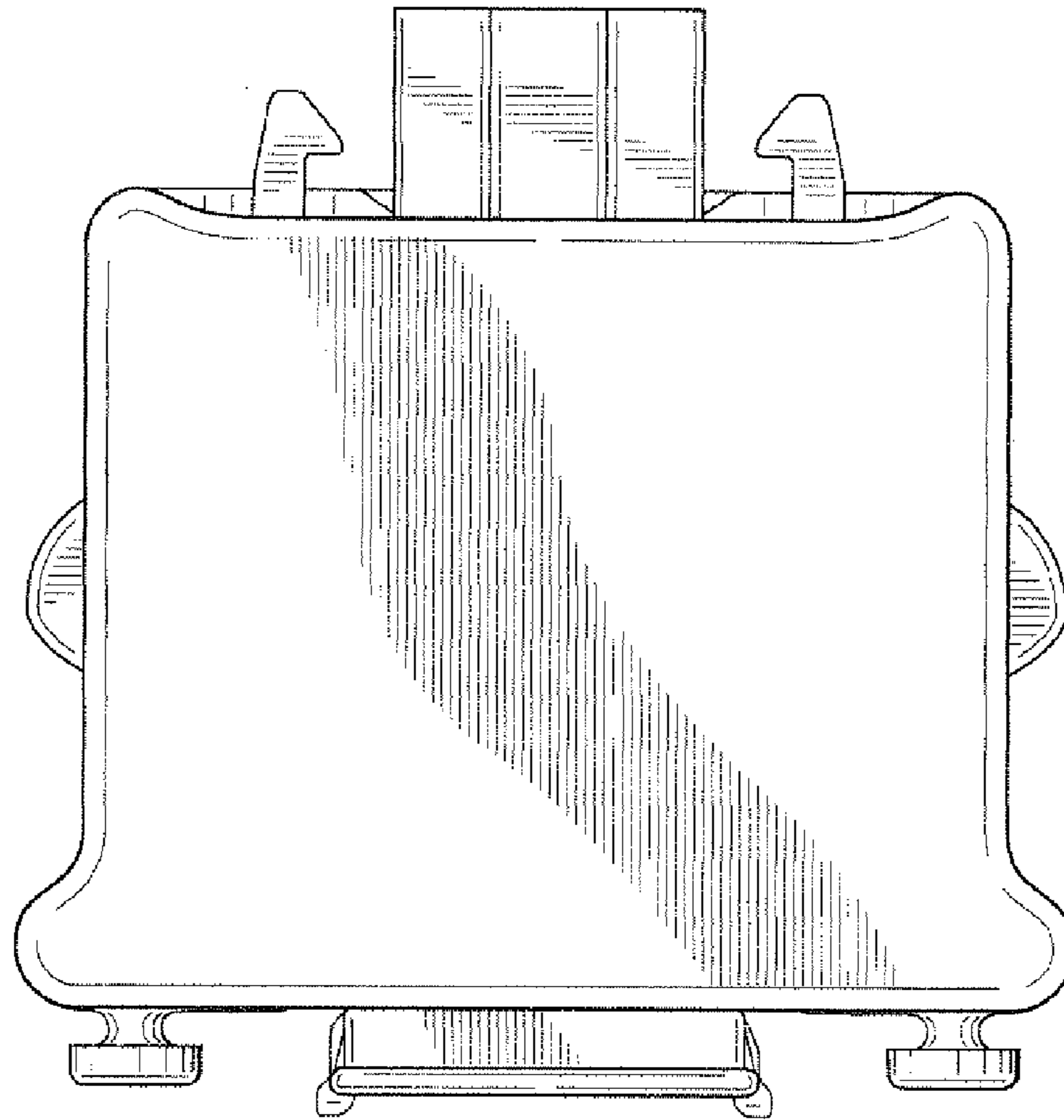


FIG. 4

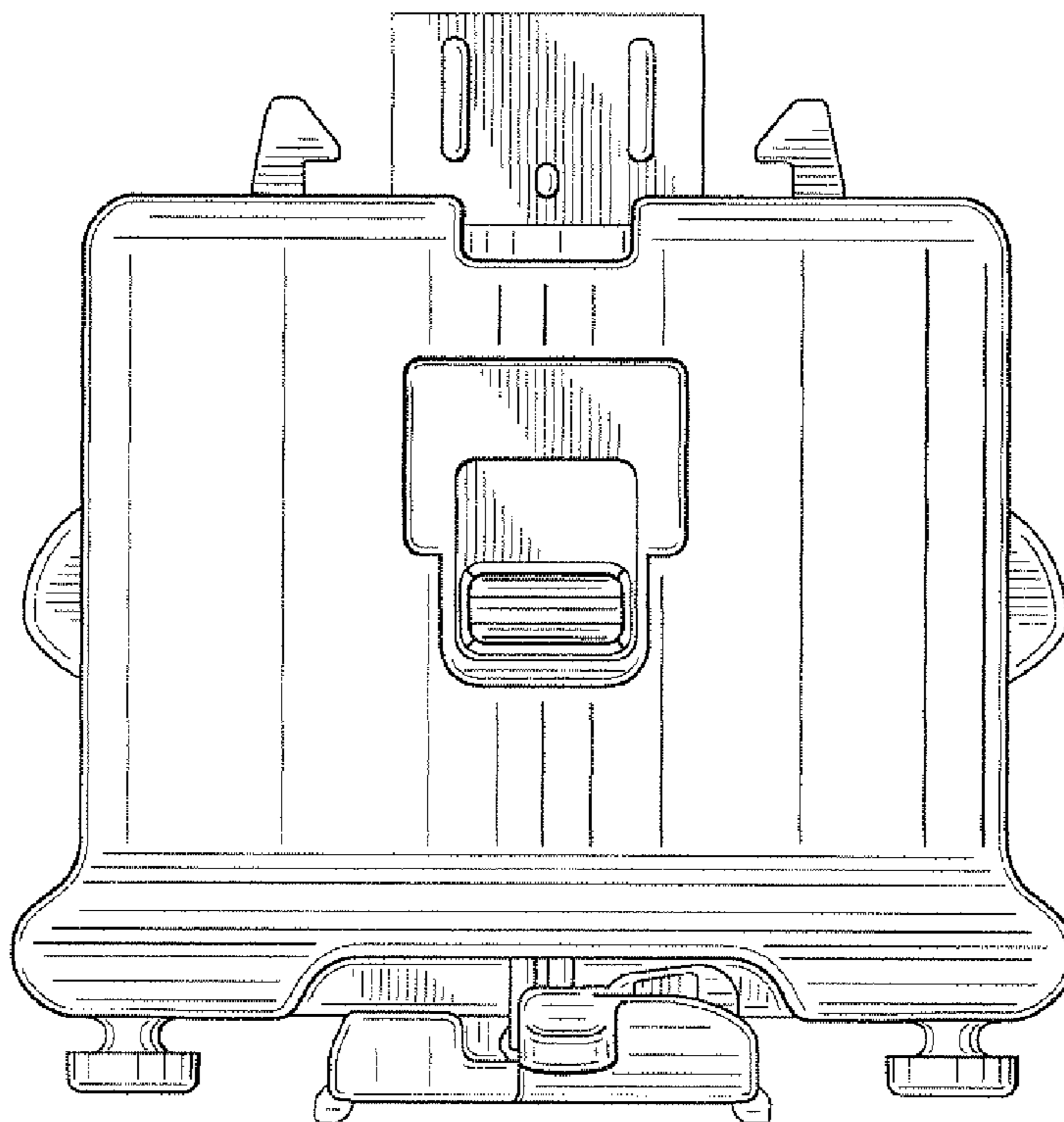


FIG. 5

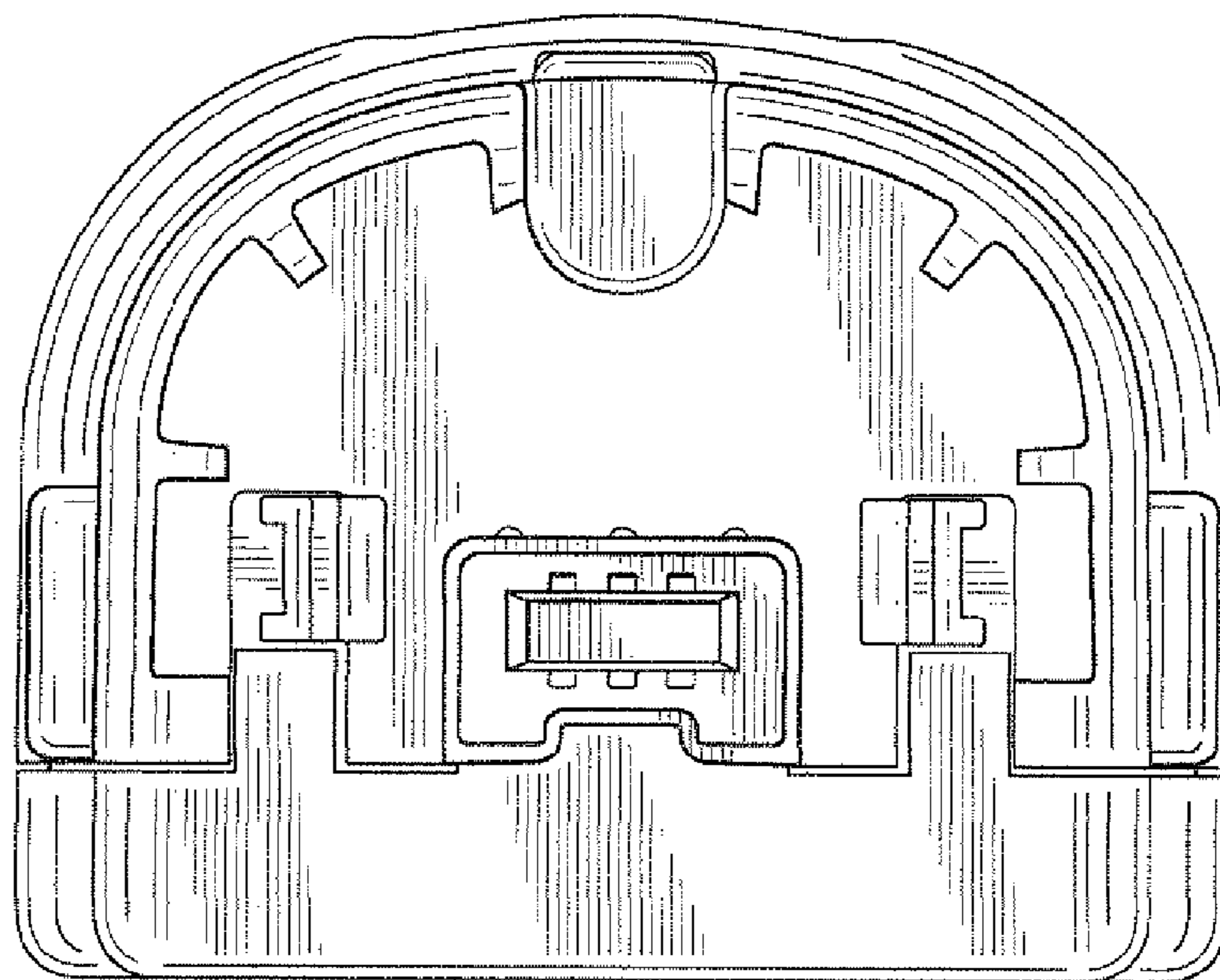


FIG. 6

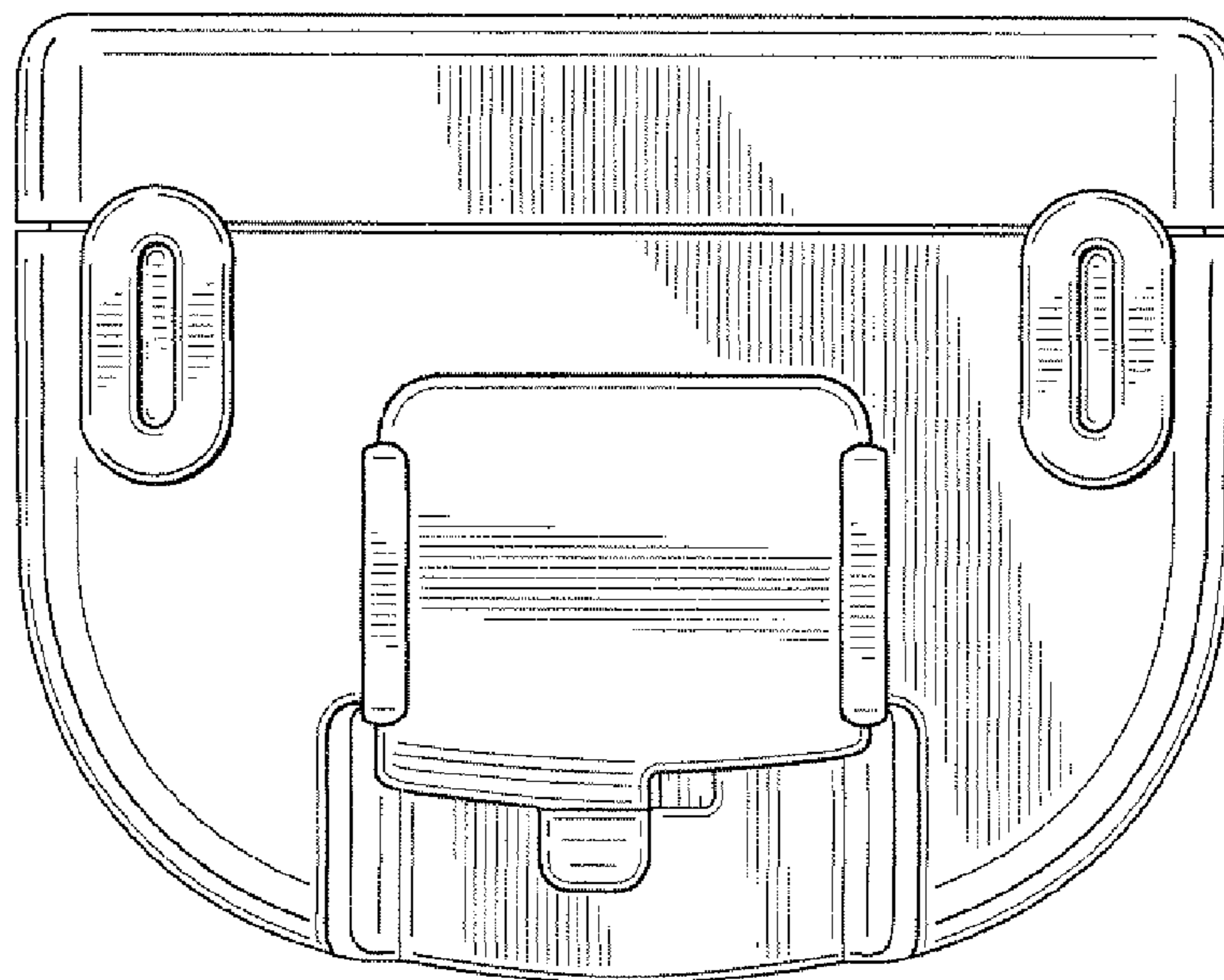


FIG. 7

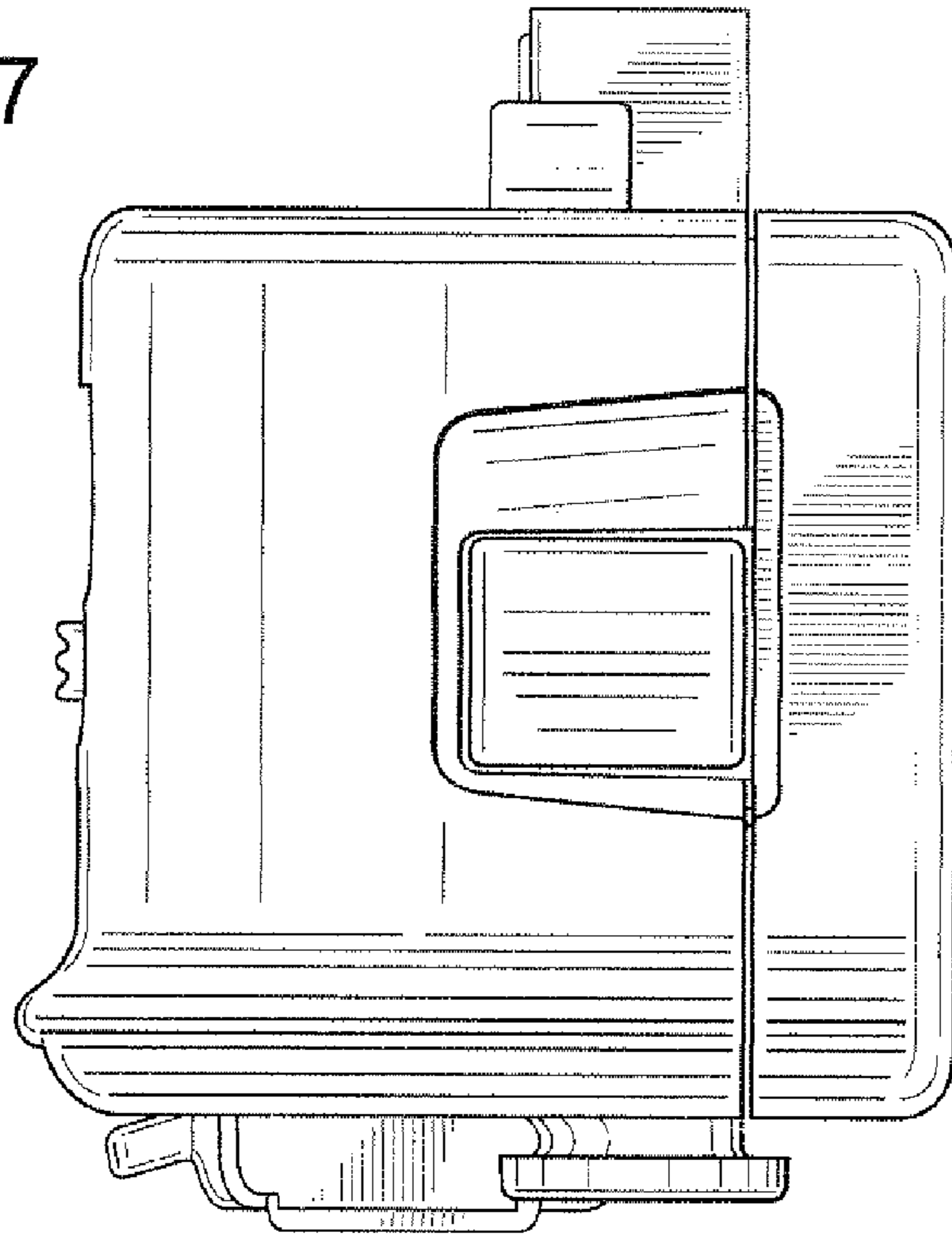
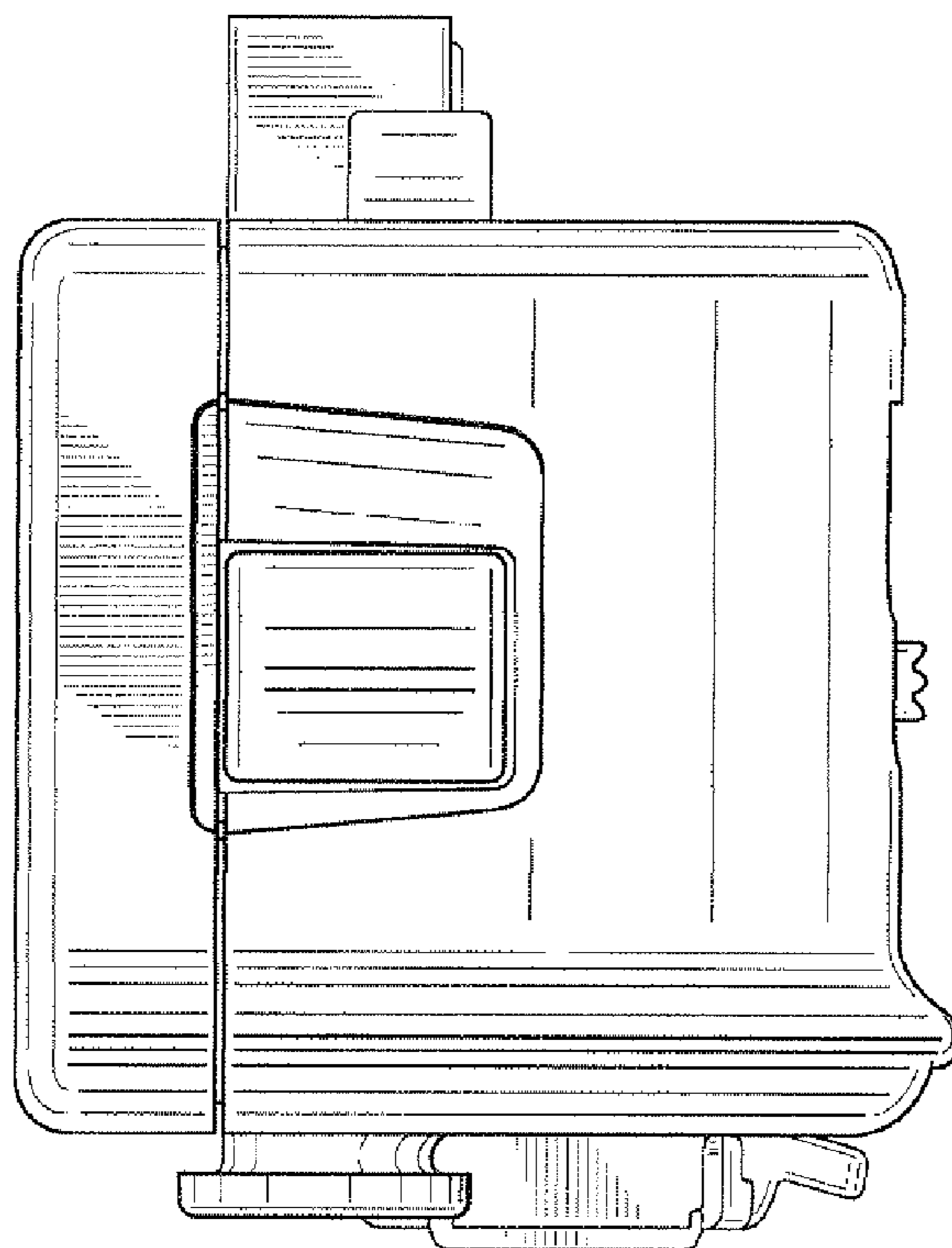


FIG. 8



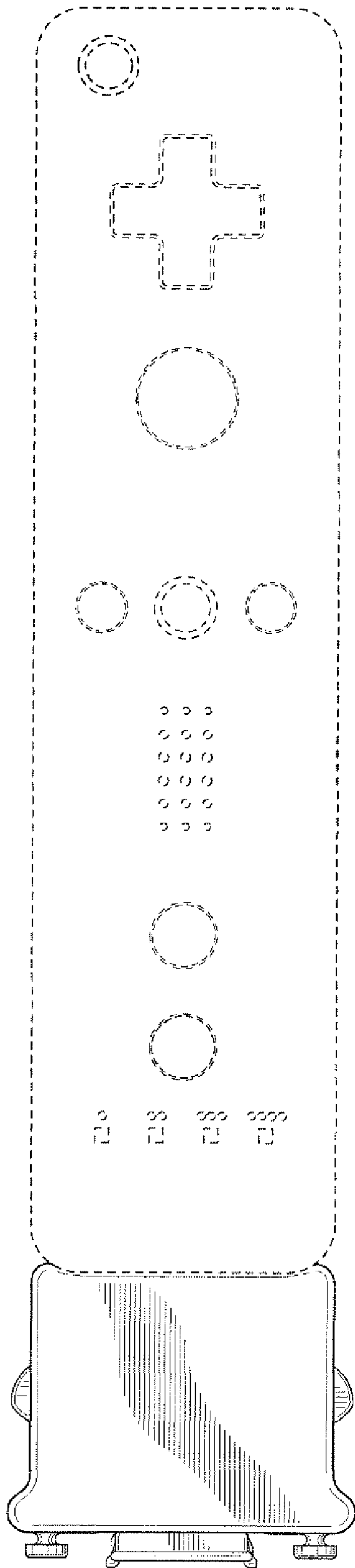


FIG. 9

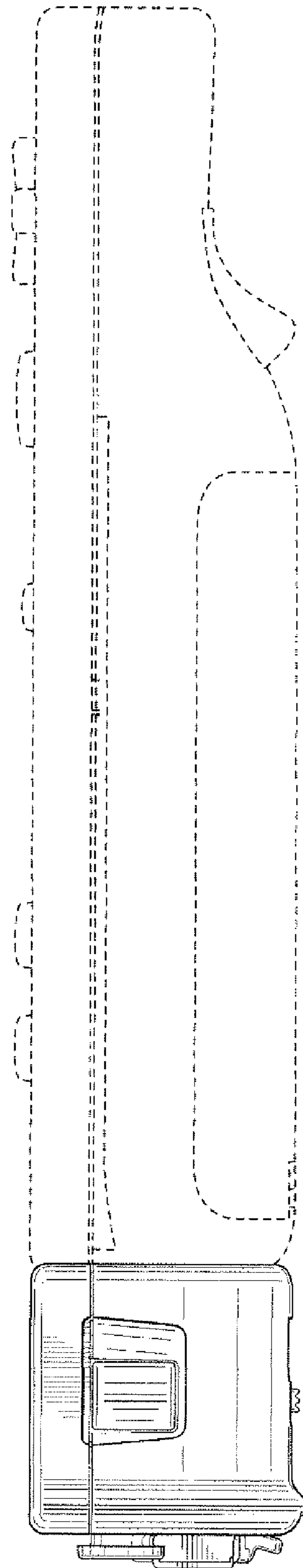


FIG. 10