



US00D623136S

(12) **United States Design Patent**  
**Andre et al.**

(10) **Patent No.:** **US D623,136 S**  
(45) **Date of Patent:** **\*\* Sep. 7, 2010**

(54) **POWER MODULE**

(75) Inventors: **Bartley K. Andre**, Menlo Park, CA (US); **Daniel J. Coster**, San Francisco, CA (US); **Daniele De Iuliis**, San Francisco, CA (US); **Evans Hankey**, San Francisco, CA (US); **Richard P. Howarth**, San Francisco, CA (US); **Jonathan P. Ive**, San Francisco, CA (US); **Duncan Robert Kerr**, San Francisco, CA (US); **Shin Nishibori**, Portola Valley, CA (US); **Matthew Dean Rohrbach**, San Francisco, CA (US); **Peter Russell-Clarke**, San Francisco, CA (US); **Douglas B. Satzger**, Menlo Park, CA (US); **Christopher J. Stringer**, Woodside, CA (US); **Eugene Antony Whang**, San Francisco, CA (US); **Rico Zörkendörfer**, San Francisco, CA (US)

(73) Assignee: **Apple Inc.**, Cupertino, CA (US)

(\*\*) Term: **14 Years**

(21) Appl. No.: **29/354,990**

(22) Filed: **Feb. 1, 2010**

**Related U.S. Application Data**

(63) Continuation of application No. 29/319,237, filed on Jun. 5, 2008, now Pat. No. Des. 611,415.

(51) **LOC (9) Cl.** ..... **13-03**

(52) **U.S. Cl.** ..... **D13/138.1; D13/108**

(58) **Field of Classification Search** ..... D13/138.1, D13/138.2, 139.1, 139.2, 139.3, 139.4, 139.5, D13/139.6, 139.7, 139.8, 137.1, 137.2, 137.3, D13/137.4, 133, 107, 108, 110, 123, 146, D13/147, 149, 151, 154; D14/240, 256, D14/217, 433; 174/494, 67, 202, 206, 53, 174/59; 439/35, 222, 249, 919, 909, 171, 439/518, 956, 105, 53, 63, 106, 136, 149, 439/266, 300, 373, 654, 660, 907; 320/111, 320/114; 363/146

See application file for complete search history.

(56) **References Cited**

U.S. PATENT DOCUMENTS

D138,086 S	6/1944	Ludwig	
D258,429 S *	3/1981	Buckler	..... D13/138.1
D375,080 S	10/1996	Sandor et al.	
5,761,021 A *	6/1998	Yu	..... 361/111
D405,765 S	2/1999	Yu	

(Continued)

OTHER PUBLICATIONS

“USB Charger for iPhone 3G—Original”, <http://www.ucables.com/ref/USB-CHARGER-IPHONE-3G-r73467>, downloaded Dec. 7, 2009.

*Primary Examiner*—Jennifer Rivard

*Assistant Examiner*—Angela J Lee

(74) *Attorney, Agent, or Firm*—Sterne, Kessler, Goldstein & Fox P.L.L.C.

(57) **CLAIM**

The ornamental design for a power module, as shown and described.

**DESCRIPTION**

FIG. 1 is a top perspective view of a power module showing our new design;

FIG. 2 is a bottom perspective view thereof;

FIG. 3 is a side view thereof;

FIG. 4 is another side view thereof;

FIG. 5 is another side view thereof;

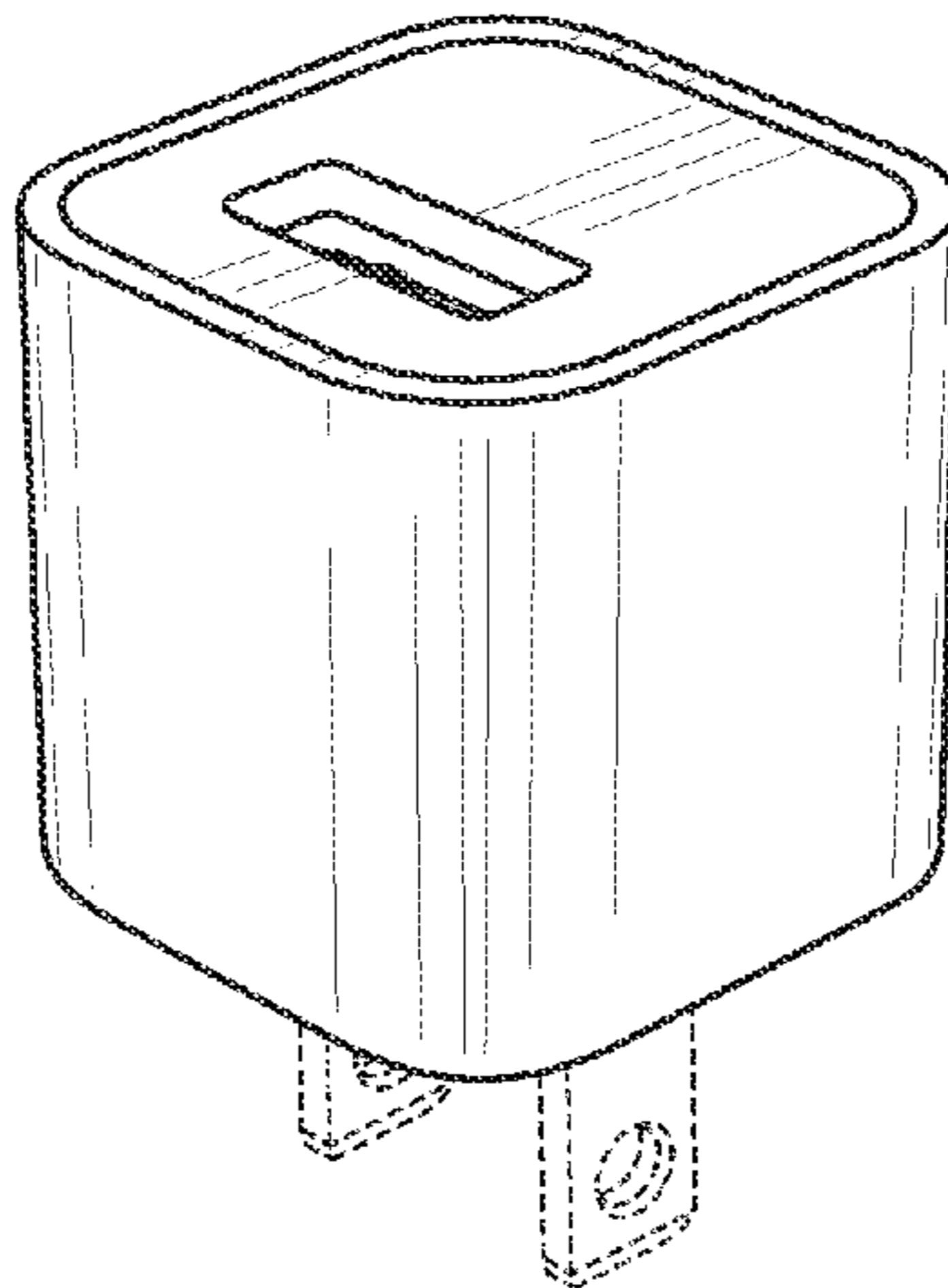
FIG. 6 is another side view thereof;

FIG. 7 is a bottom plan view thereof; and,

FIG. 8 is a top plan view thereof.

The broken lines showing portions of the power module are for the purpose of illustrating portions of the power module that form no part of the claimed design.

**1 Claim, 2 Drawing Sheets**

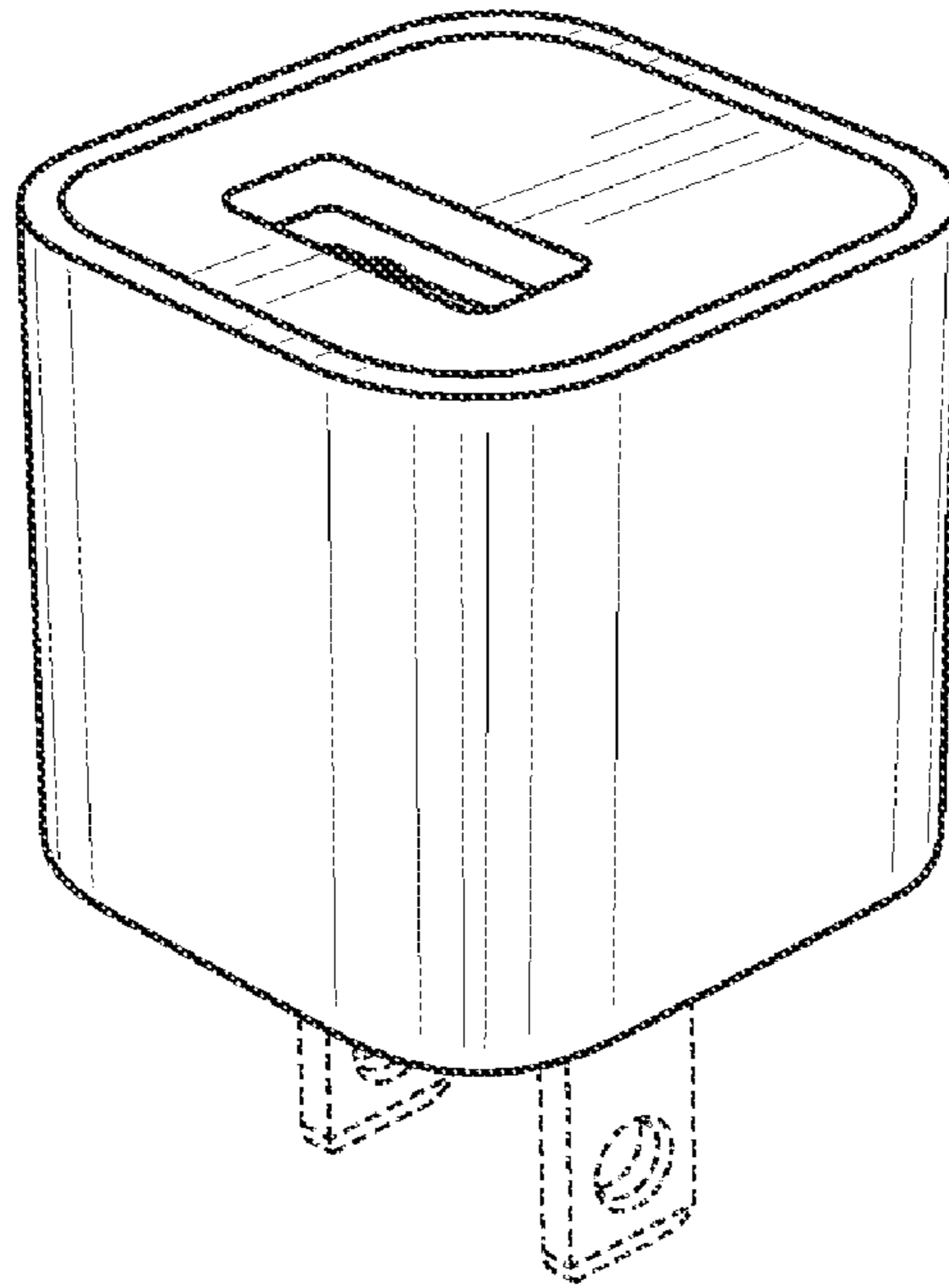


# US D623,136 S

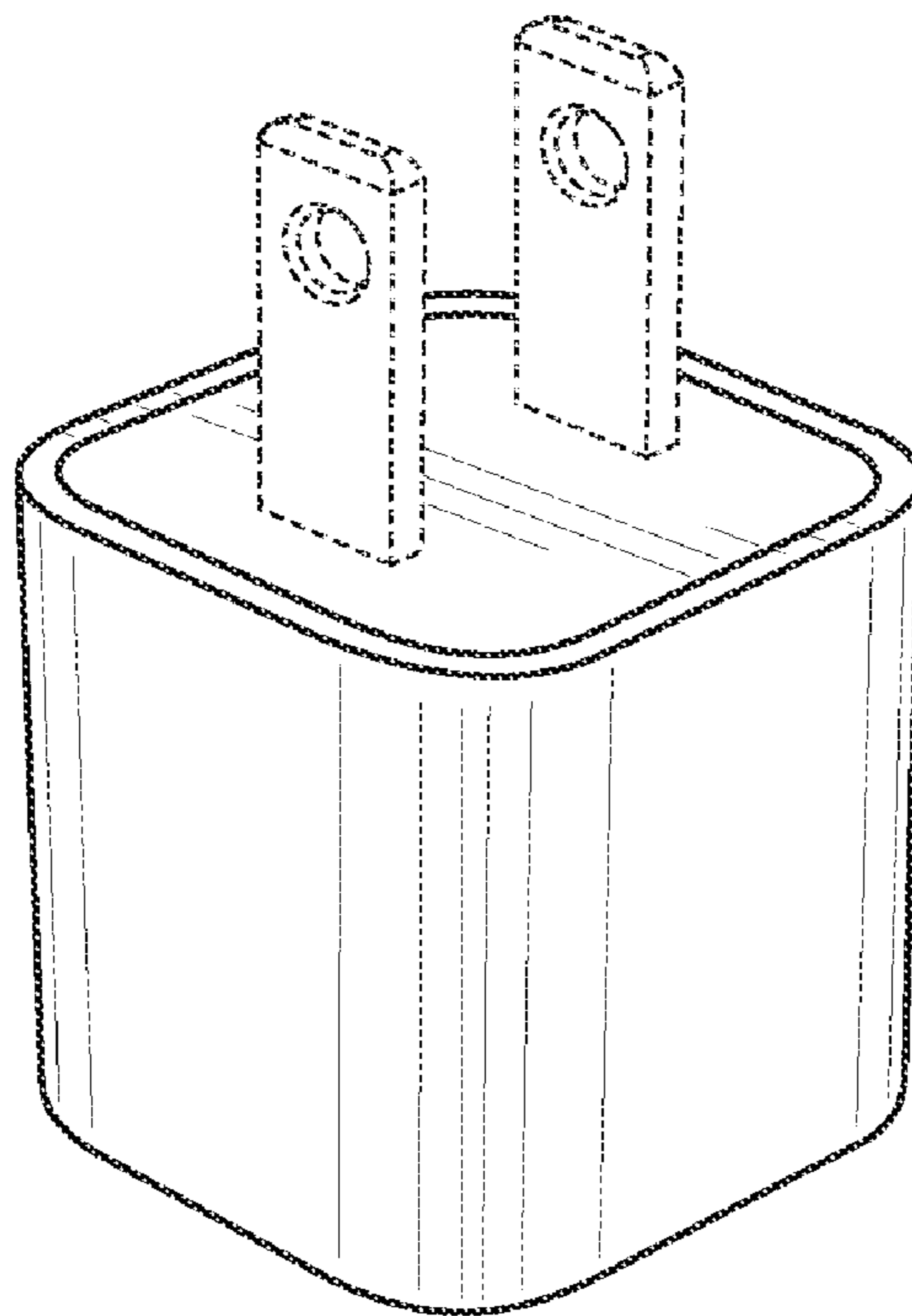
Page 2

---

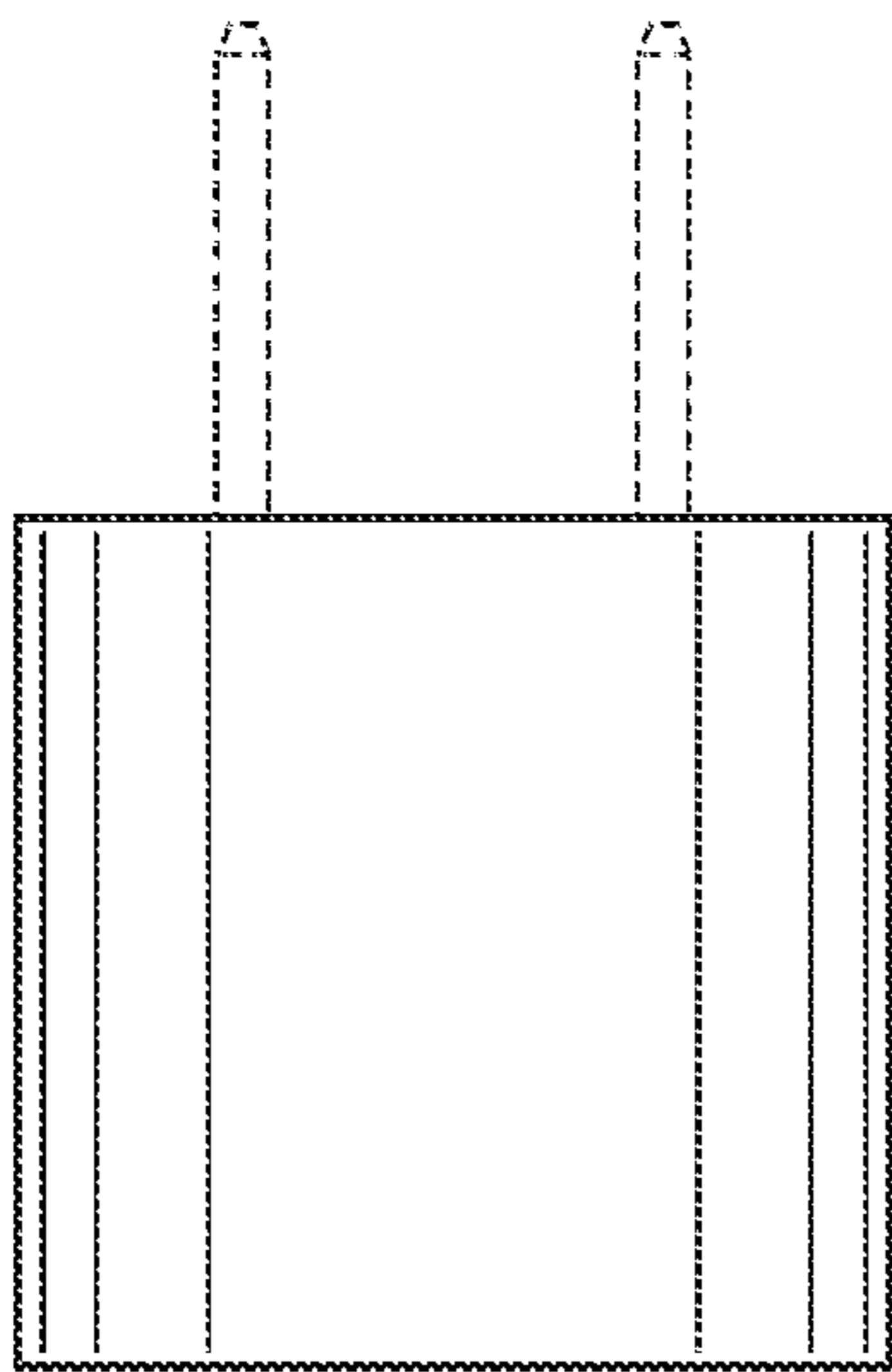
U.S. PATENT DOCUMENTS						
D436,078 S	1/2001	Korte		D595,223 S *	6/2009	Yamamoto et al. .... D13/108
D503,679 S	4/2005	Andre et al.		D595,224 S	6/2009	Seil et al.
D521,936 S	5/2006	Novotney et al.		D596,572 S	7/2009	Wu et al.
D522,463 S	6/2006	Novotney et al.		D601,097 S	9/2009	Novotney et al.
D552,034 S	10/2007	Hobson et al.		D601,500 S	10/2009	Green et al.
D572,712 S	7/2008	Ledbetter et al.		D601,501 S	10/2009	Kaibara et al.
D573,946 S	7/2008	Ledbetter et al.		D602,430 S	10/2009	Green et al.
D579,876 S	11/2008	Novotney et al.		D610,992 S *	3/2010	Fahrendorff et al. .... D13/138.1
D583,316 S	12/2008	Säde et al.		D610,993 S *	3/2010	Fahrendorff et al. .... D13/138.1
D587,192 S	2/2009	McGinley et al.		D610,994 S *	3/2010	Fahrendorff et al. .... D13/138.1
D587,193 S *	2/2009	McGinley et al. ....	D13/110	D611,409 S *	3/2010	Green et al. .... D13/110
D593,505 S *	6/2009	Fimbres .....	D13/156	D611,415 S *	3/2010	Andre et al. .... D13/138.1
				2009/0289596 A1 *	11/2009	McGinley et al. .... 320/111
						* cited by examiner



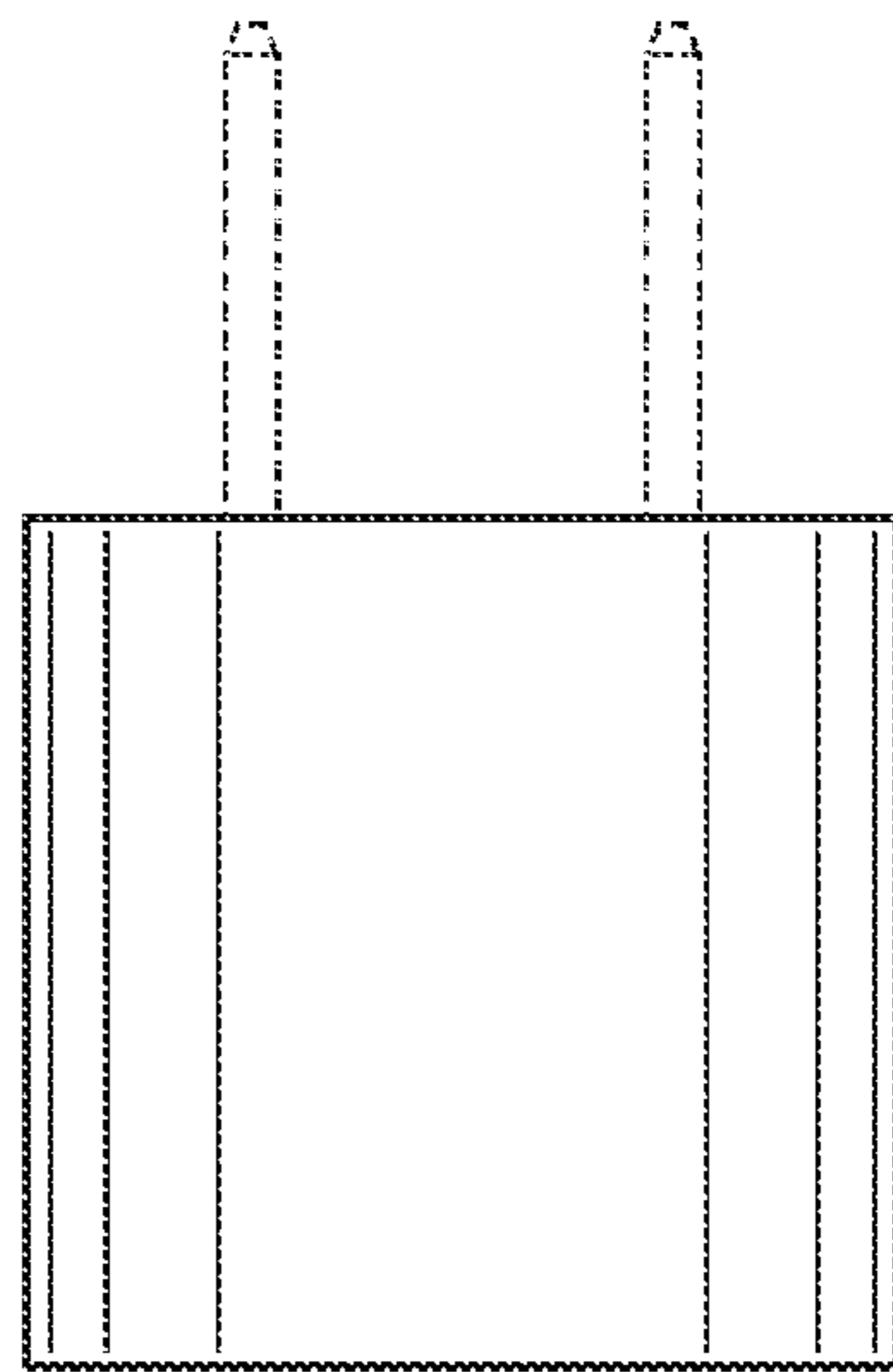
**FIG. 1**



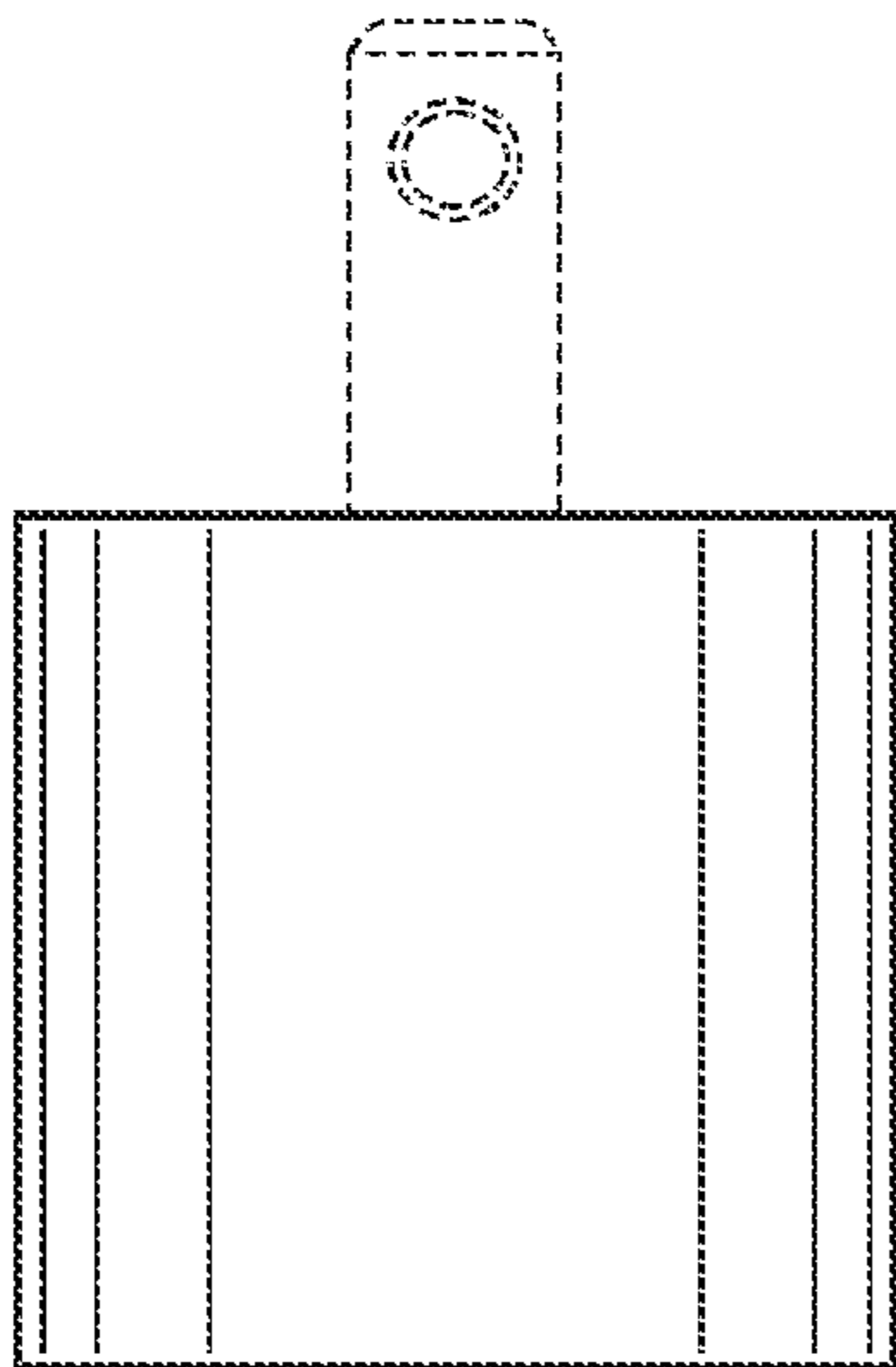
**FIG. 2**



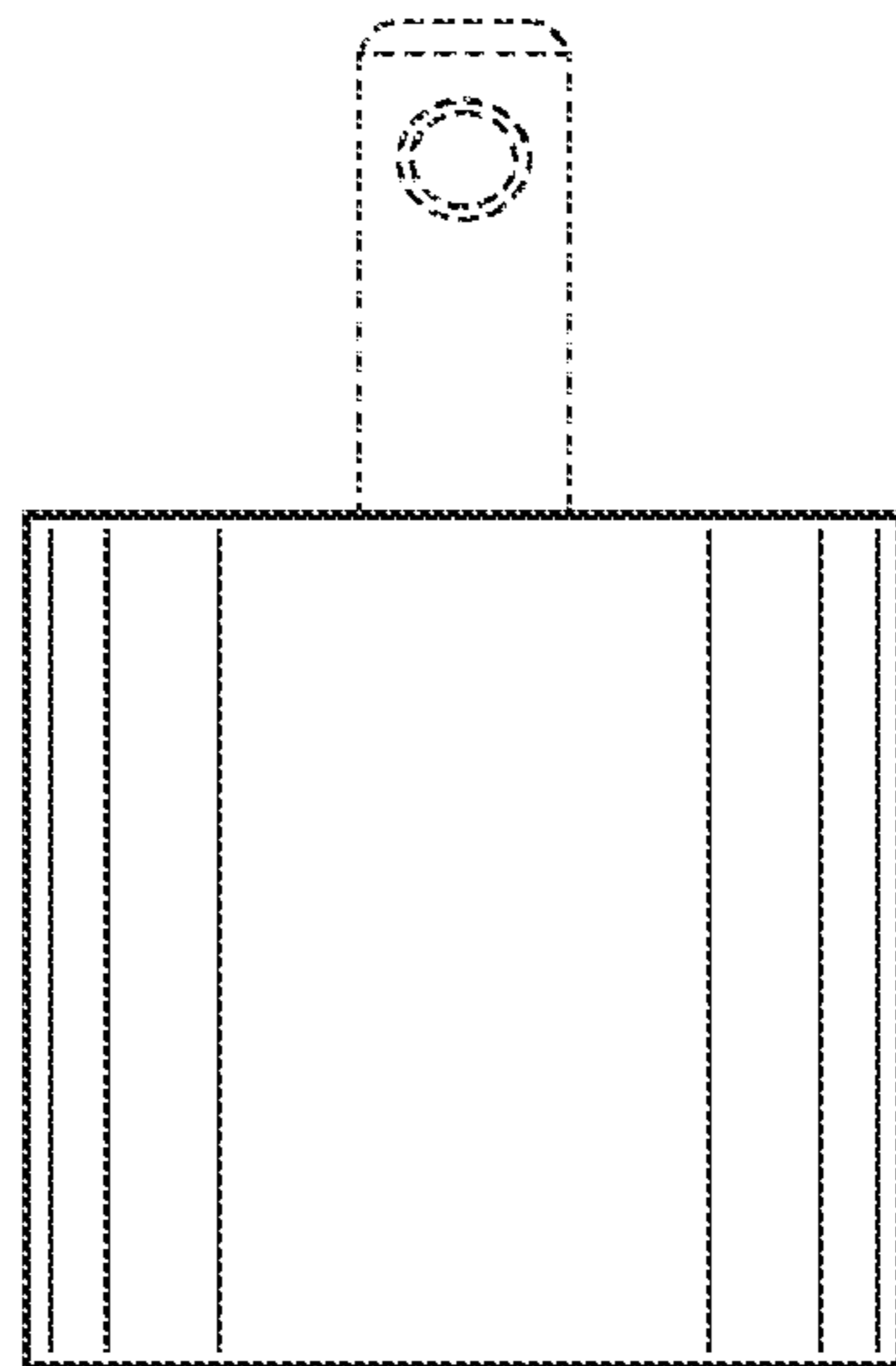
**FIG. 3**



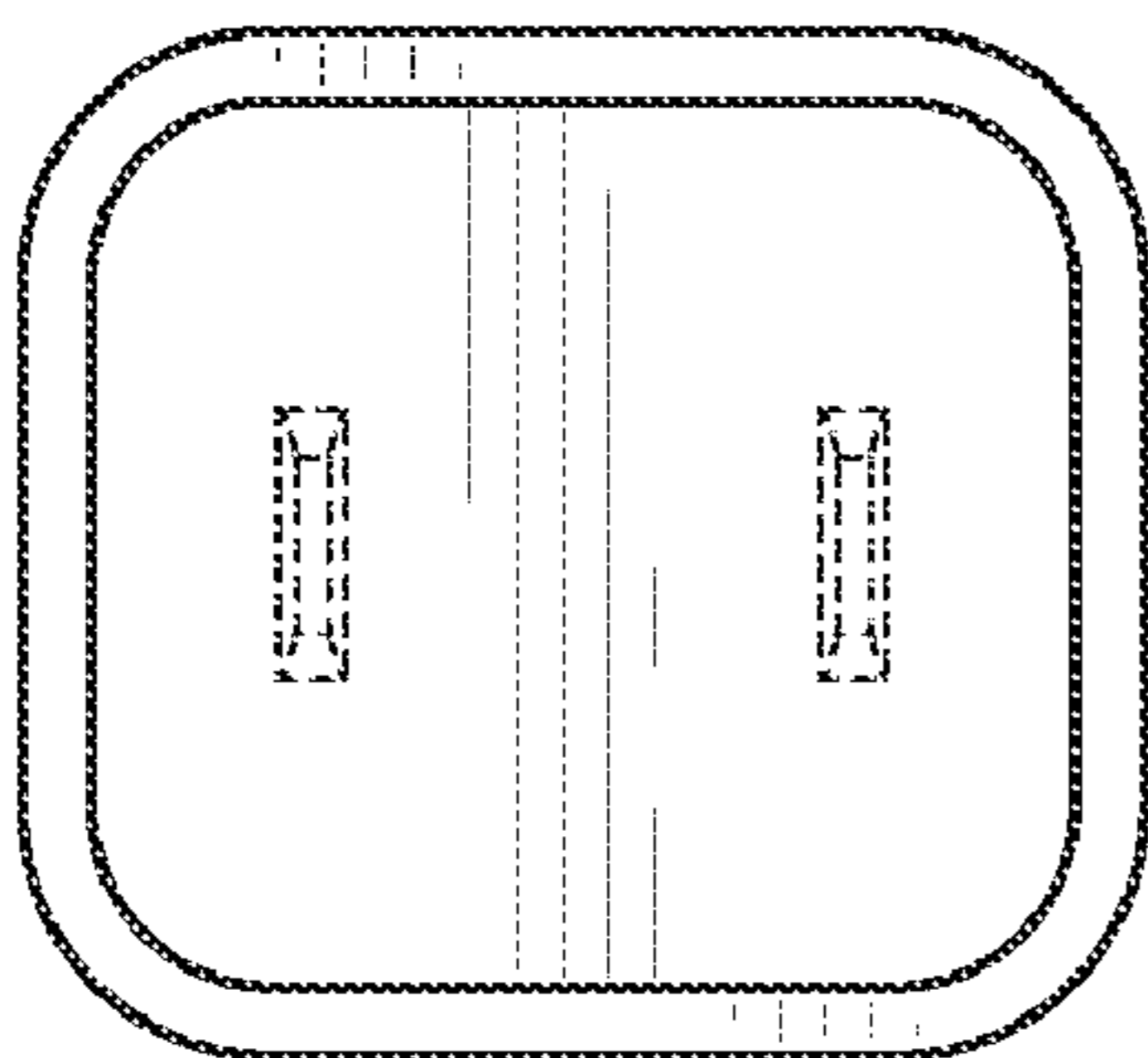
**FIG. 4**



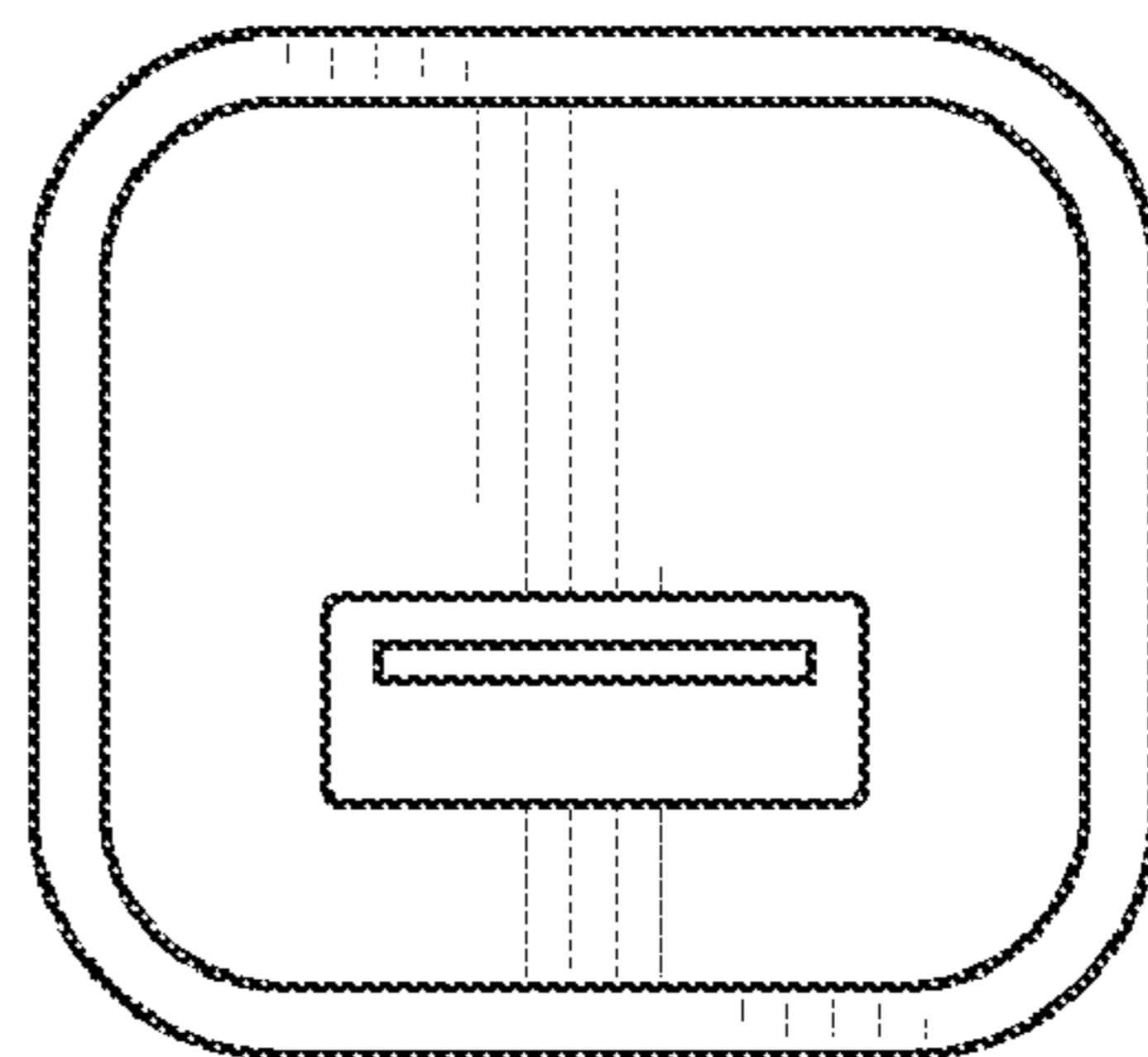
**FIG. 5**



**FIG. 6**



**FIG. 7**



**FIG. 8**

UNITED STATES PATENT AND TRADEMARK OFFICE  
**CERTIFICATE OF CORRECTION**

PATENT NO. : D623,136 S  
APPLICATION NO. : 29/354990  
DATED : September 7, 2010  
INVENTOR(S) : Andre et al.

Page 1 of 4

It is certified that error appears in the above-identified patent and that said Letters Patent is hereby corrected as shown below:

The title page showing the illustrative figure should be deleted to be replaced with the attached title page.

The drawing sheets, consisting of Figs. 1-8, should be deleted to be replaced with the drawing sheets, consisting of Figs. 1-8, as shown on the attached pages.

Signed and Sealed this  
Seventeenth Day of May, 2011

A handwritten signature in black ink that reads "David J. Kappos". The signature is written in a cursive, slightly slanted style.

David J. Kappos  
*Director of the United States Patent and Trademark Office*

(12) **United States Design Patent** (10) Patent No.: **US D623,136 S**  
**Andre et al.** (45) Date of Patent: **\*\* Sep. 7, 2010**

(54) **POWER MODULE**

(75) Inventors: **Bartley K. Andre**, Menlo Park, CA (US); **Daniel J. Coster**, San Francisco, CA (US); **Daniele De Iulius**, San Francisco, CA (US); **Evans Hankey**, San Francisco, CA (US); **Richard P. Howarth**, San Francisco, CA (US); **Jonathan P. Ive**, San Francisco, CA (US); **Duncan Robert Kerr**, San Francisco, CA (US); **Shin Nishibori**, Portola Valley, CA (US); **Matthew Dean Rohrbach**, San Francisco, CA (US); **Peter Russell-Clarke**, San Francisco, CA (US); **Douglas B. Satzger**, Menlo Park, CA (US); **Christopher J. Stringer**, Woodside, CA (US); **Eugene Antony Whang**, San Francisco, CA (US); **Rico Zörkendörfer**, San Francisco, CA (US)

(73) Assignee: **Apple Inc.**, Cupertino, CA (US)

(\*\*) Term: **14 Years**

(21) Appl. No.: **29/354,990**

(22) Filed: **Feb. 1, 2010**

**Related U.S. Application Data**

(63) Continuation of application No. 29/319,237, filed on Jun. 5, 2008, now Pat. No. Des. 611,415.

(51) LOC (9) Cl. .... **13-03**

(52) U.S. Cl. .... **D13/138.1; D13/108**

(58) **Field of Classification Search** ..... **D13/138.1, D13/138.2, 139.1, 139.2, 139.3, 139.4, 139.5, D13/139.6, 139.7, 139.8, 137.1, 137.2, 137.3, D13/137.4, 133, 107, 108, 110, 123, 146, D13/147, 149, 151, 154; D14/240, 256, D14/217, 433; 174/494, 67, 202, 206, 53, 174/59; 439/35, 222, 249, 919, 909, 171, 439/518, 956, 105, 53, 63, 106, 136, 149, 439/266, 300, 373, 654, 660, 907; 320/111, 320/114; 363/146**

See application file for complete search history.

(56) **References Cited**

**U.S. PATENT DOCUMENTS**

D138,086 S	6/1944	Ludwig	
D258,429 S *	3/1981	Buckler	D13/138.1
D375,080 S	10/1996	Sandor et al.	
5,761,021 A *	6/1998	Yu	361/111
D405,765 S	2/1999	Yu	

(Continued)

**OTHER PUBLICATIONS**

“USB Charger for iPhone 3G—Original”, <http://www.ucables.com/ref/USB-CHARGER-IPHONE-3G-r73467>, downloaded Dec. 7, 2009.

*Primary Examiner*—Jennifer Rivard  
*Assistant Examiner*—Angela J Lee  
 (74) *Attorney, Agent, or Firm*—Sterne, Kessler, Goldstein & Fox P.L.L.C.

(57) **CLAIM**

The ornamental design for a power module, as shown and described.

**DESCRIPTION**

FIG. 1 is a top perspective view of a power module showing our new design;

FIG. 2 is a bottom perspective view thereof;

FIG. 3 is a side view thereof;

FIG. 4 is another side view thereof;

FIG. 5 is another side view thereof;

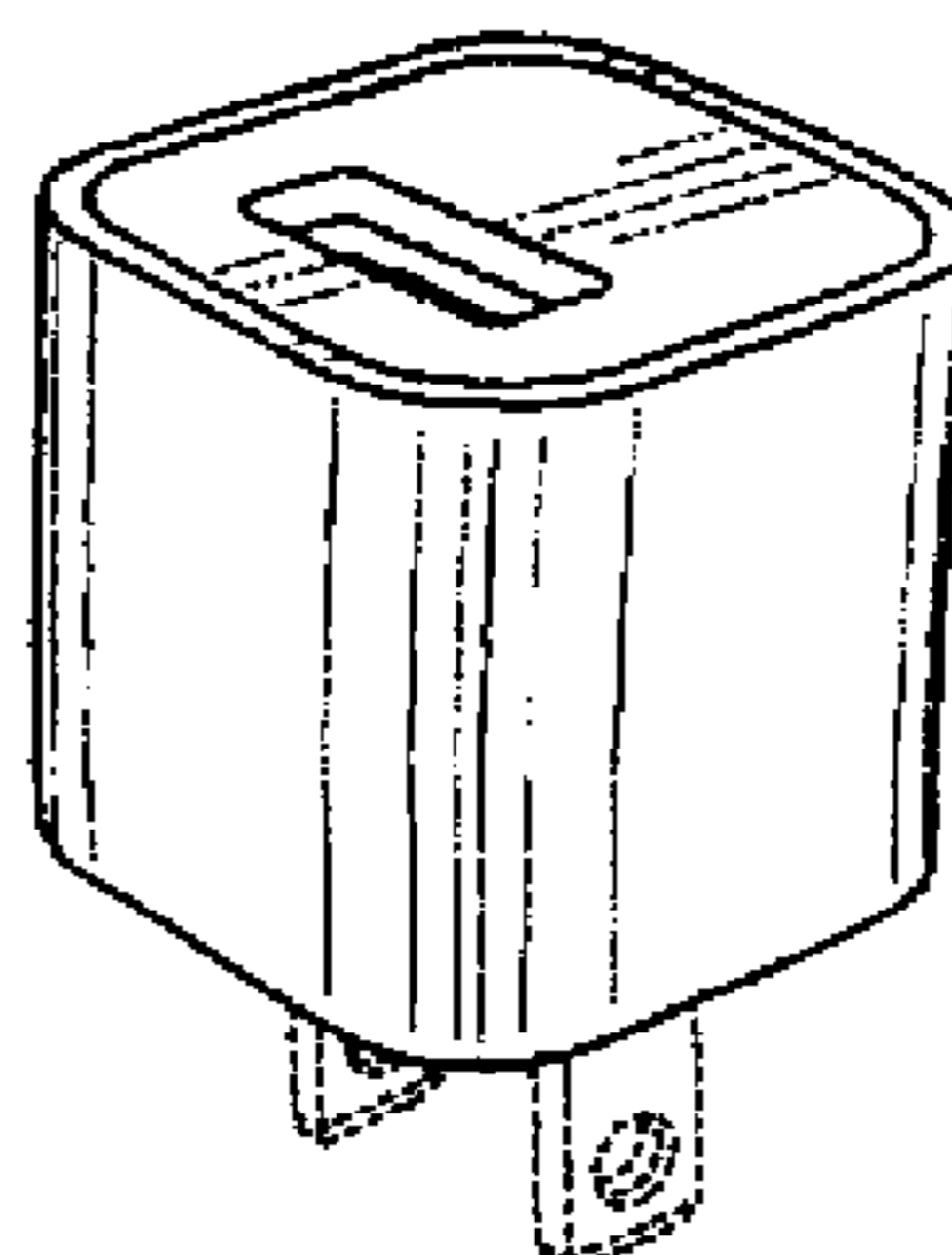
FIG. 6 is another side view thereof;

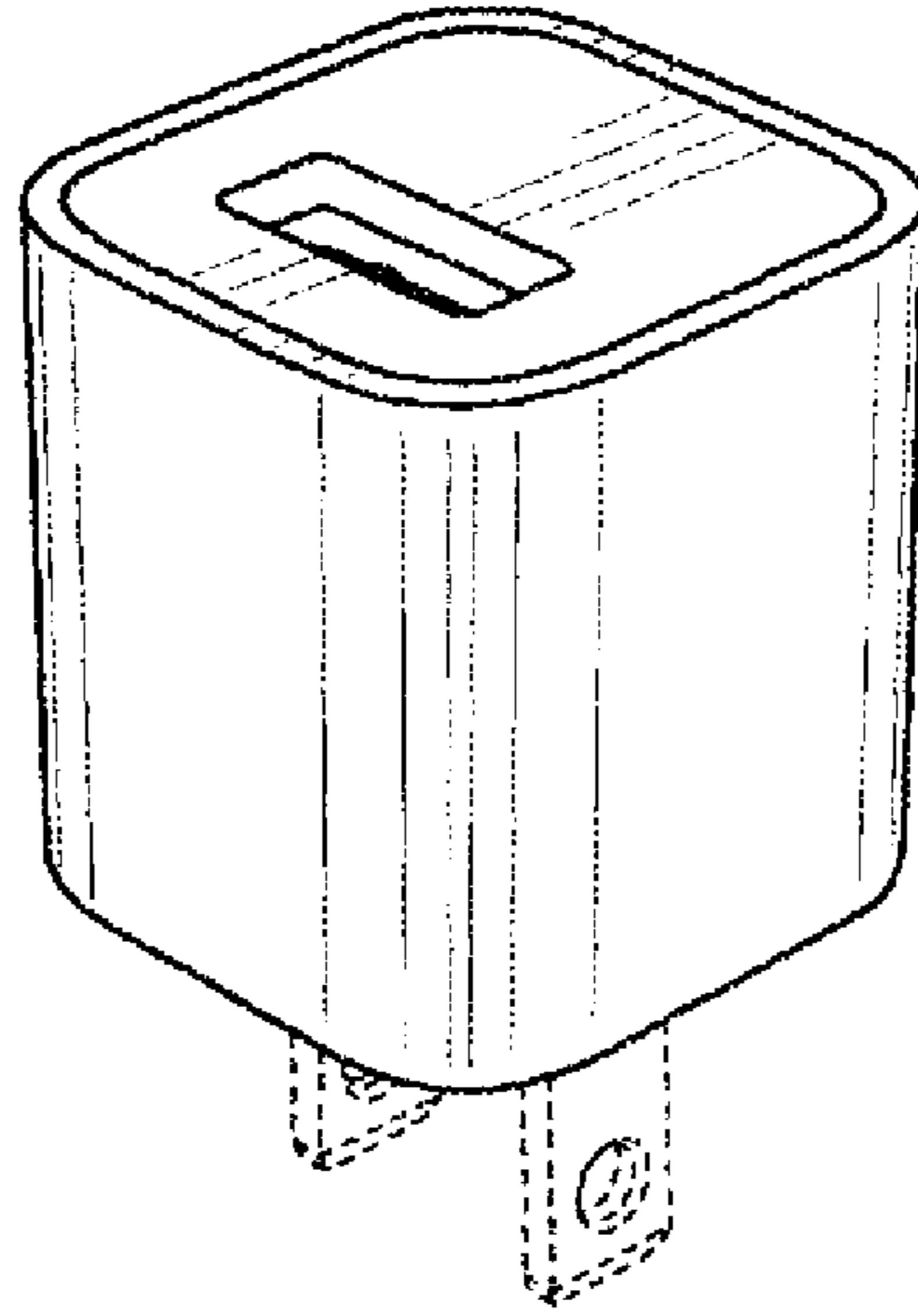
FIG. 7 is a bottom plan view thereof; and,

FIG. 8 is a top plan view thereof.

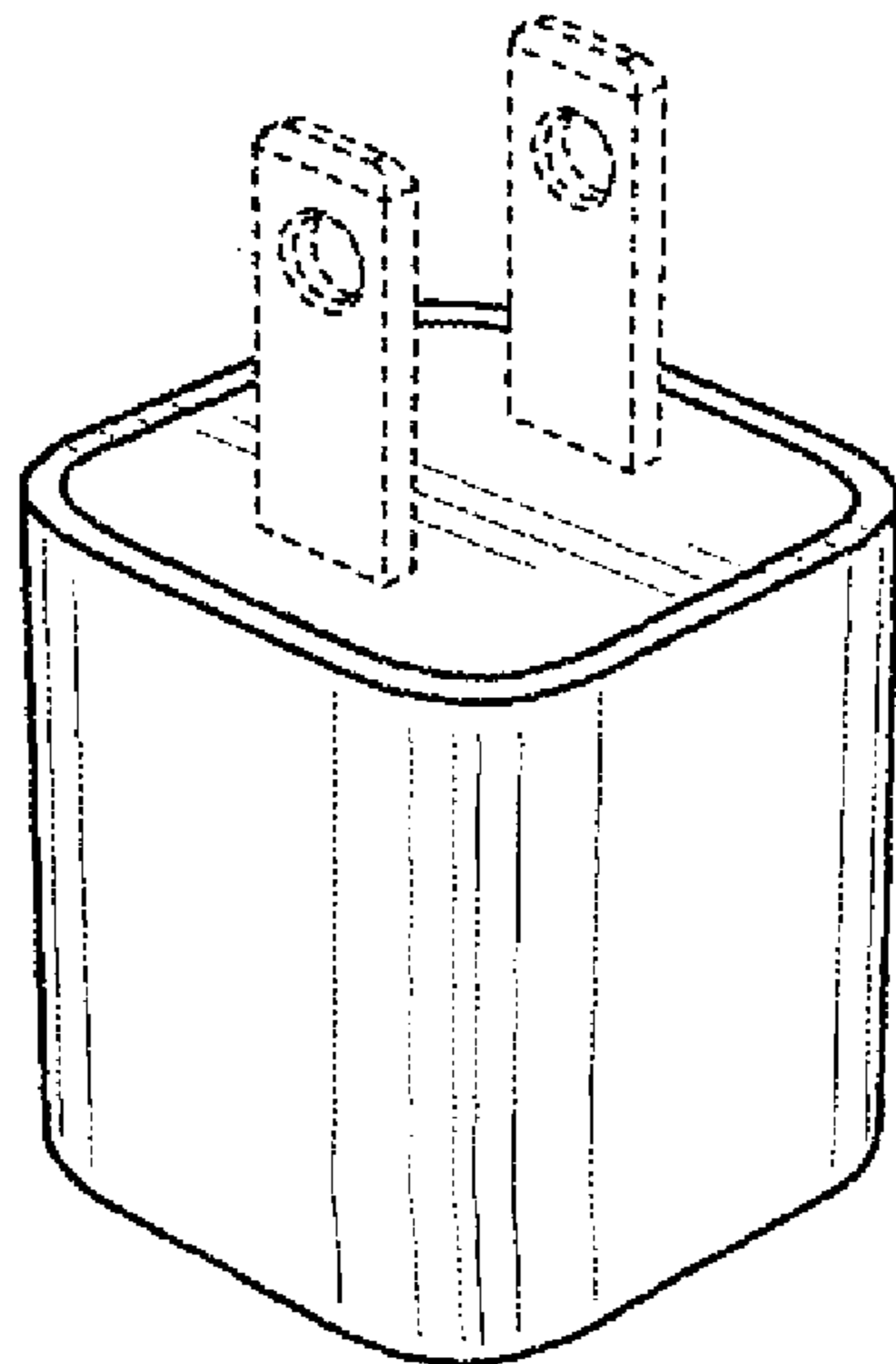
The broken lines showing portions of the power module are for the purpose of illustrating portions of the power module that form no part of the claimed design.

**1 Claim, 2 Drawing Sheets**

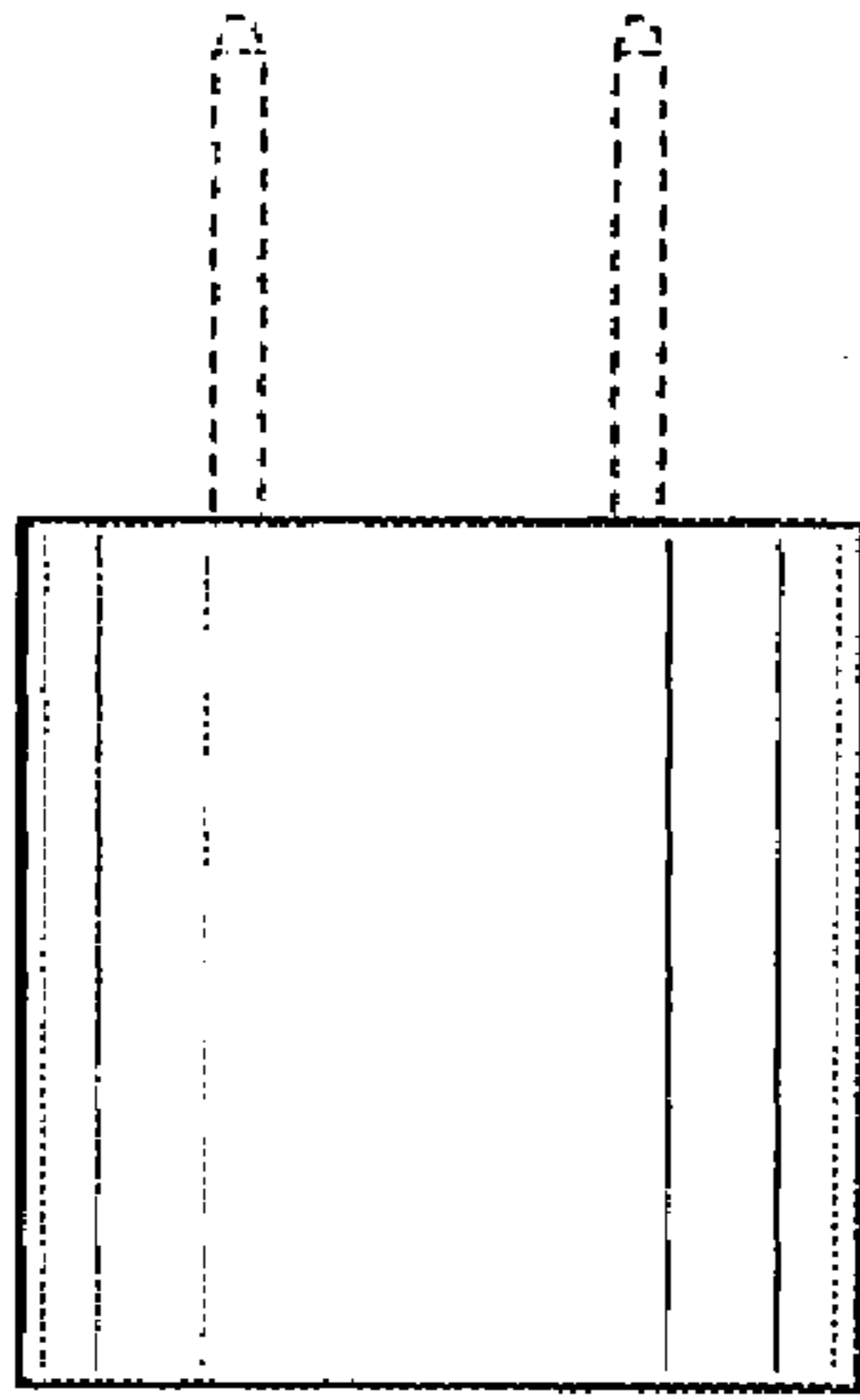




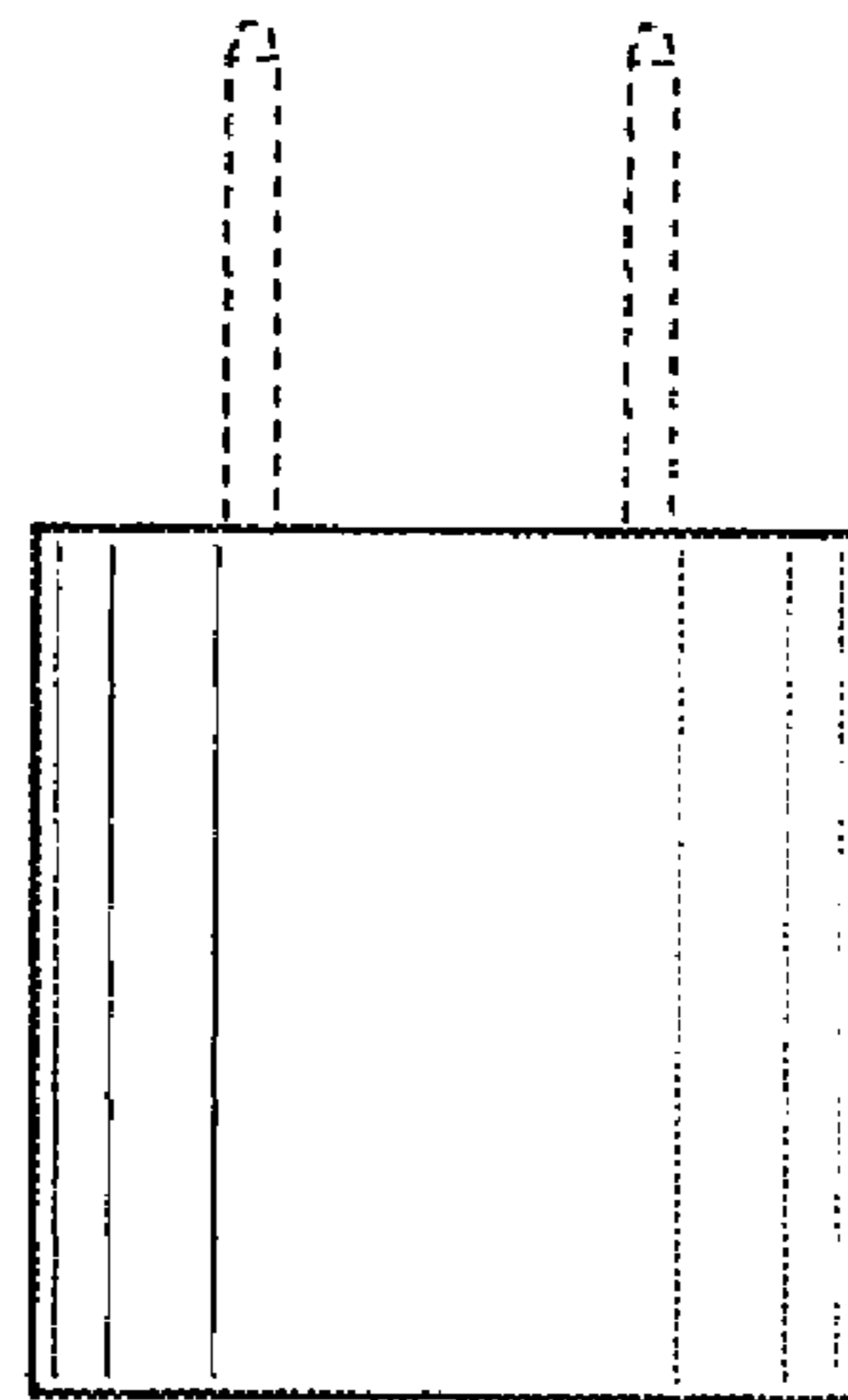
**FIG. 1**



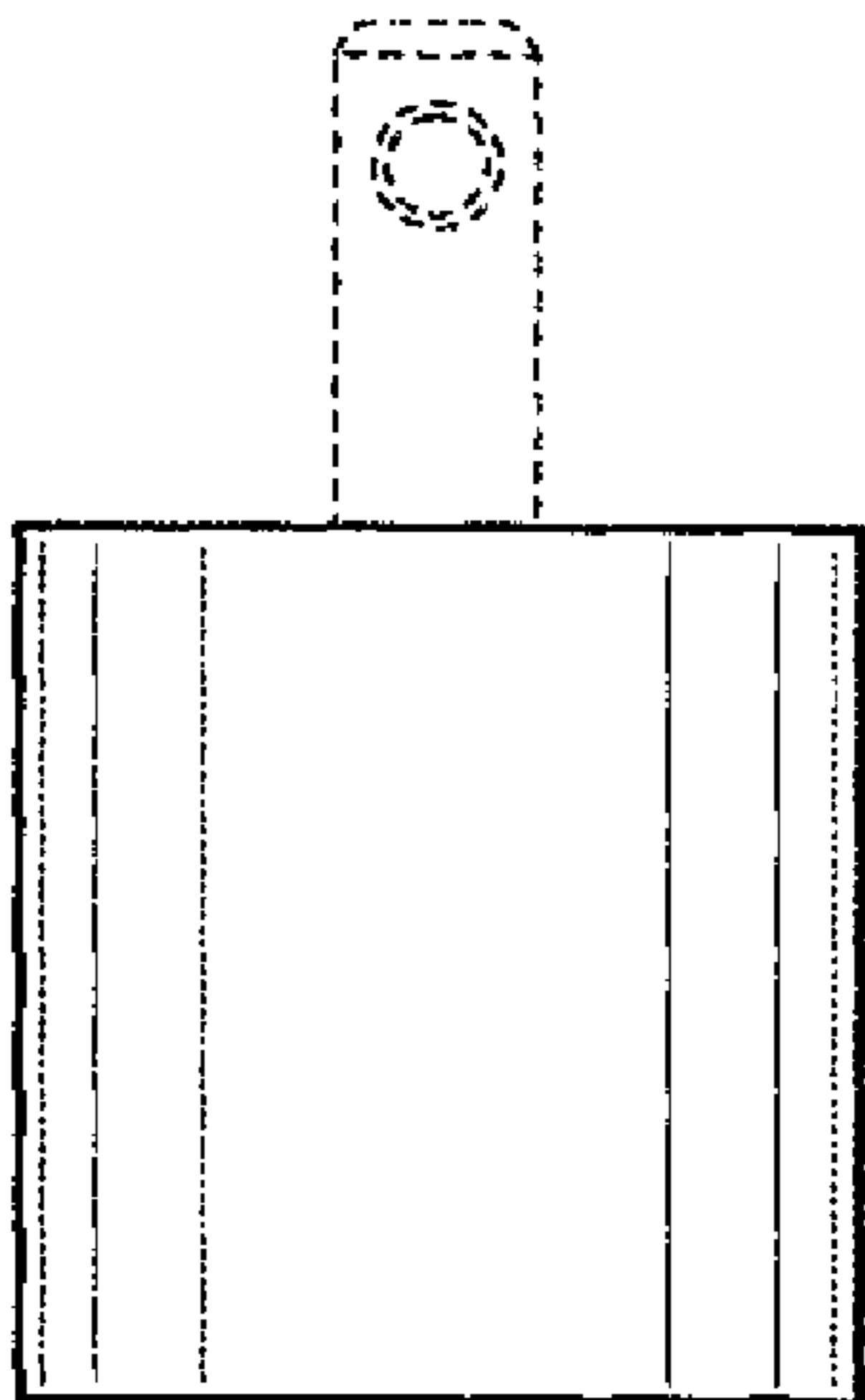
**FIG. 2**



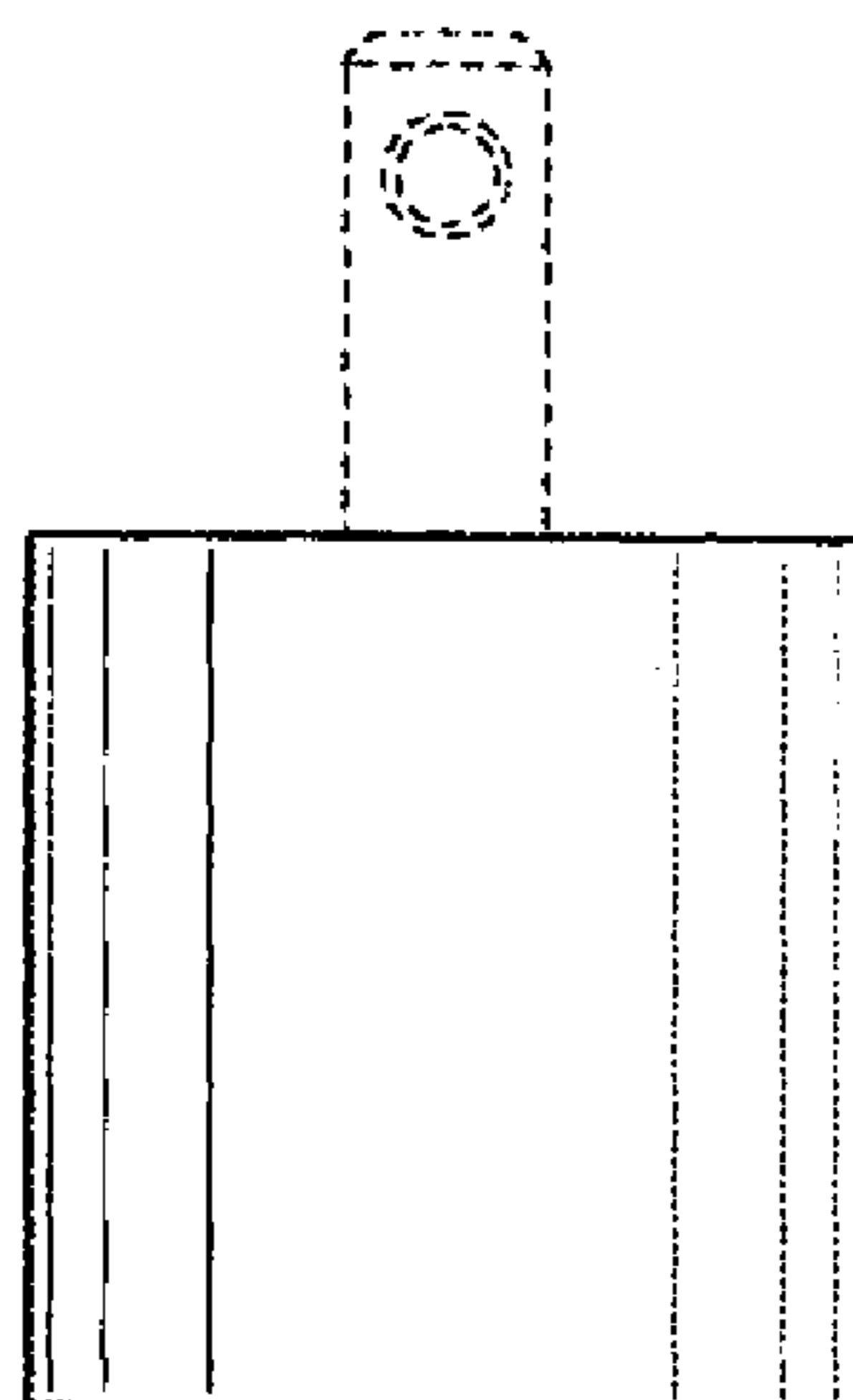
**FIG. 3**



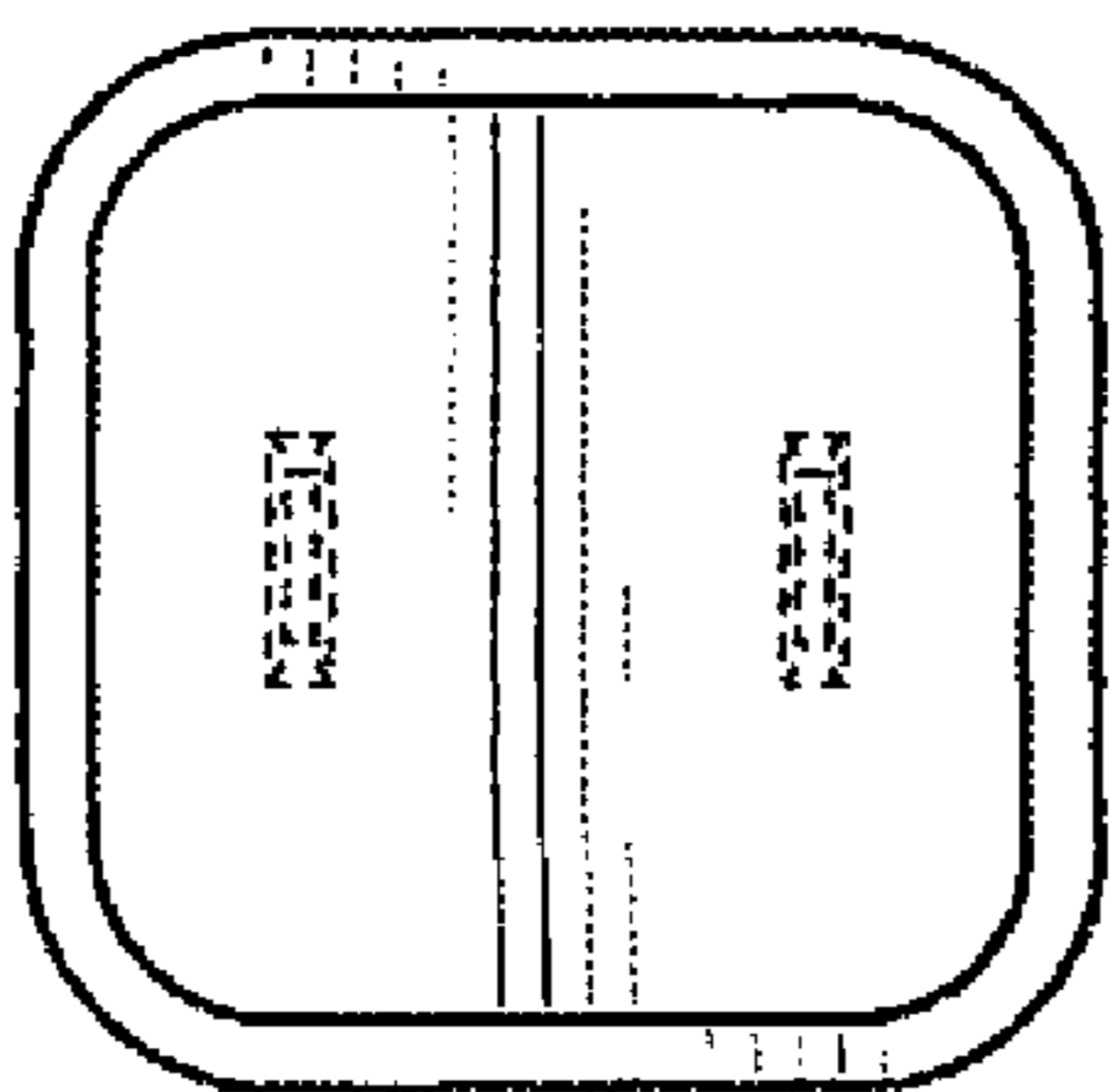
**FIG. 4**



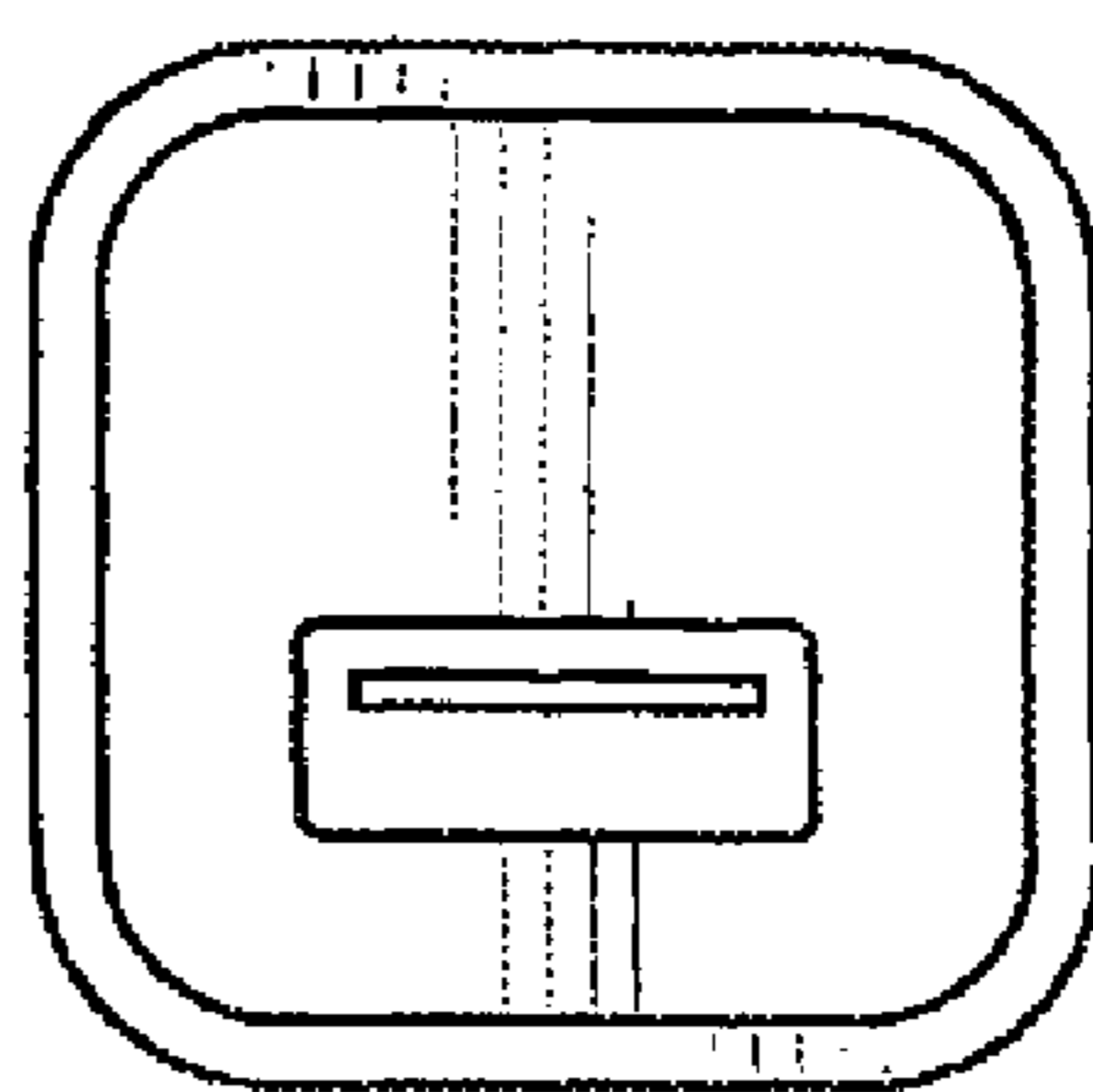
**FIG. 5**



**FIG. 6**



**FIG. 7**



**FIG. 8**