



US00D623132S

(12) **United States Design Patent**
Yano

(10) **Patent No.:** **US D623,132 S**
(45) **Date of Patent:** **** Sep. 7, 2010**

(54) **SUPPORTING BASE FOR PORTABLE ELECTRONIC DEVICE**

D595,722 S * 7/2009 Miyawaki D14/447

FOREIGN PATENT DOCUMENTS

(75) Inventor: **Ken Yano**, Tokyo (JP)

JP D1296573 3/2007
JP D1351976 2/2009

(73) Assignee: **Sony Computer Entertainment Inc.**, Tokyo (JP)

OTHER PUBLICATIONS

(**) Term: **14 Years**

Decision to Grant in Taiwanese Patent Application No. 098304601, dated Apr. 22, 2010.

(21) Appl. No.: **29/347,137**

* cited by examiner

(22) Filed: **Sep. 29, 2009**

Primary Examiner—Rosemary K Tarcza
(74) *Attorney, Agent, or Firm*—Rader, Fishman & Grauer PLLC

(30) **Foreign Application Priority Data**

May 22, 2009 (JP) D2009-011444

(57) **CLAIM**

(51) **LOC (9) Cl.** **13-02**

(52) **U.S. Cl.** **D13/108**

(58) **Field of Classification Search** D13/107–110,
D13/118–119, 184; D14/217, 251, 253,
D14/432, 434, 447; 320/107–115; 439/529,
439/534; 361/600

The ornamental design for a supporting base for portable electronic device, as shown and described.

See application file for complete search history.

DESCRIPTION

(56) **References Cited**

U.S. PATENT DOCUMENTS

D465,532 S * 11/2002 Hussaini et al. D21/333
D474,736 S * 5/2003 Sagawa D13/108
D477,604 S * 7/2003 Lin D14/434
D520,945 S * 5/2006 Hayamizu D13/108
D520,946 S * 5/2006 Nasu D13/108
D524,729 S * 7/2006 Hussaini et al. D13/108
D525,935 S * 8/2006 Hussaini et al. D13/108
D532,366 S * 11/2006 Koizumi D13/108
D540,327 S * 4/2007 Wong et al. D14/434
D552,185 S * 10/2007 Hussaini et al. D21/333
D552,611 S * 10/2007 Hagiwara et al. D14/434
D577,665 S * 9/2008 Kim et al. D13/107

FIG. 1 is a front elevational of a supporting base for portable electronic device showing my new design;
FIG. 2 is a rear elevational view thereof;
FIG. 3 is a left side elevational view thereof;
FIG. 4 is a right side elevational view thereof;
FIG. 5 is a top plan view thereof;
FIG. 6 is a bottom plan view thereof;
FIG. 7 is a front, top, right perspective view thereof;
FIG. 8 is a front, top, left perspective view thereof; and,
FIG. 9 is a rear, bottom, left perspective view thereof.

Portions in broken lines are for illustrative purposes only and form no part of claimed design.

1 Claim, 9 Drawing Sheets

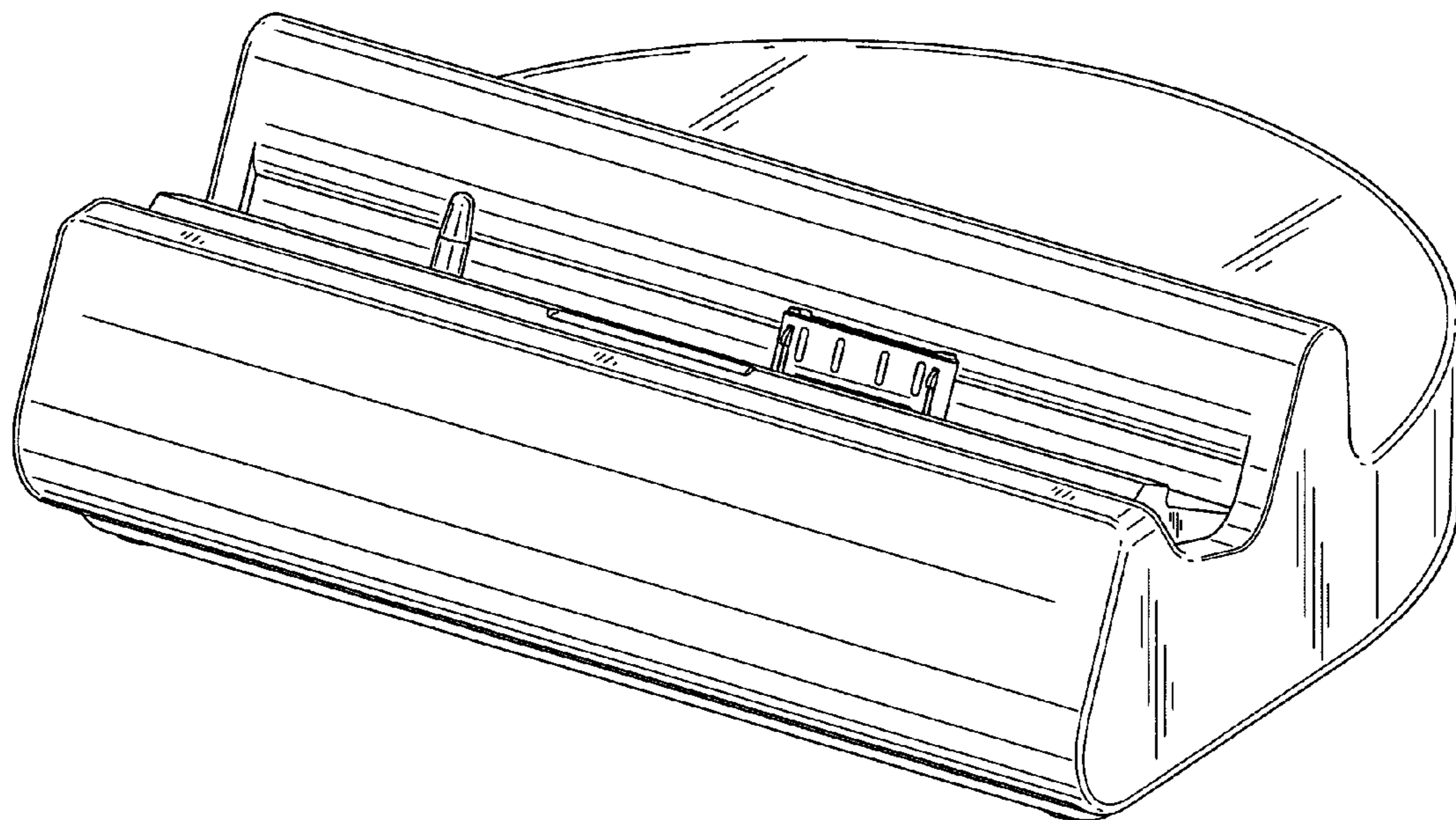


FIG.1

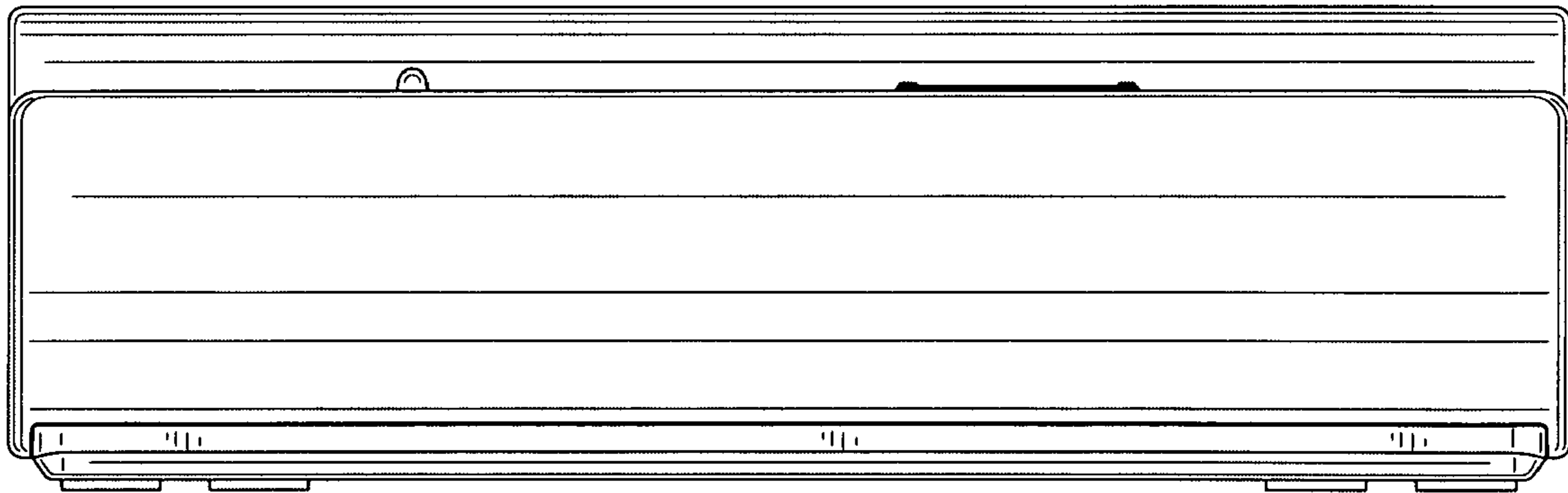


FIG.2

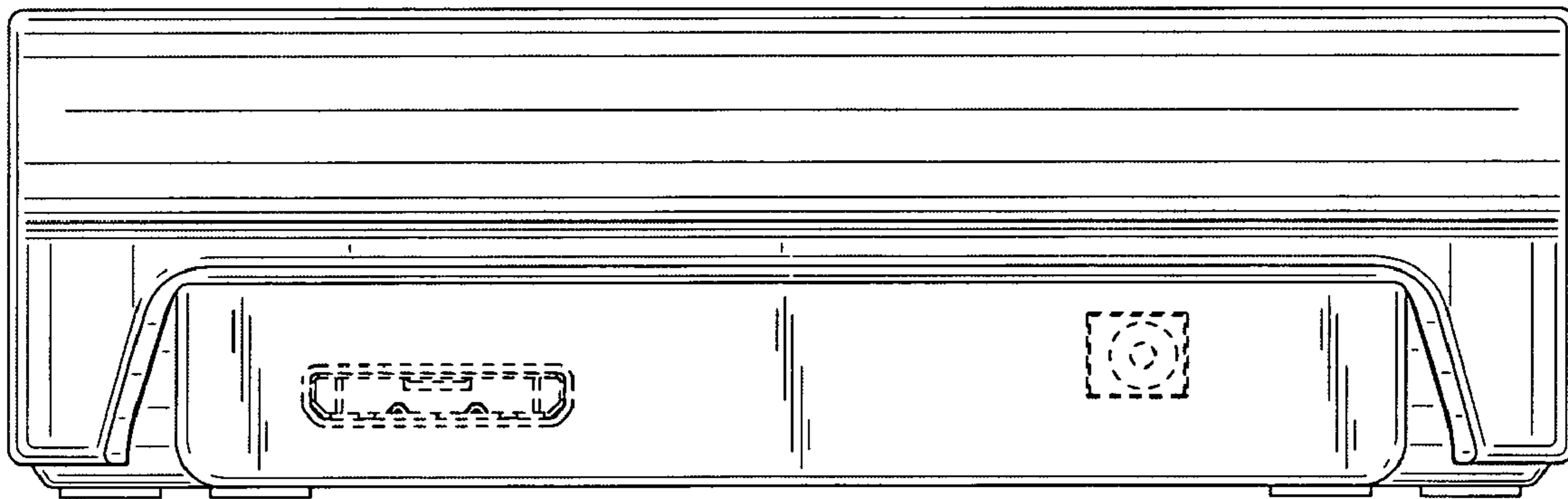


FIG.3

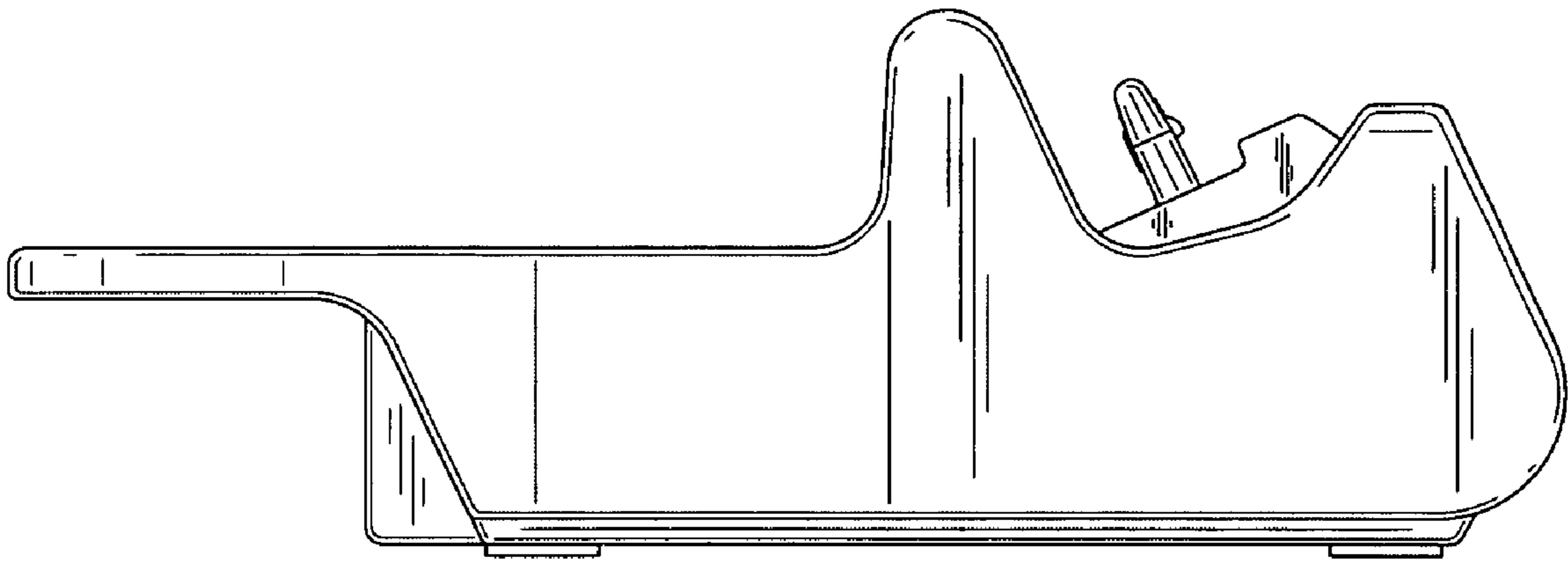


FIG.4

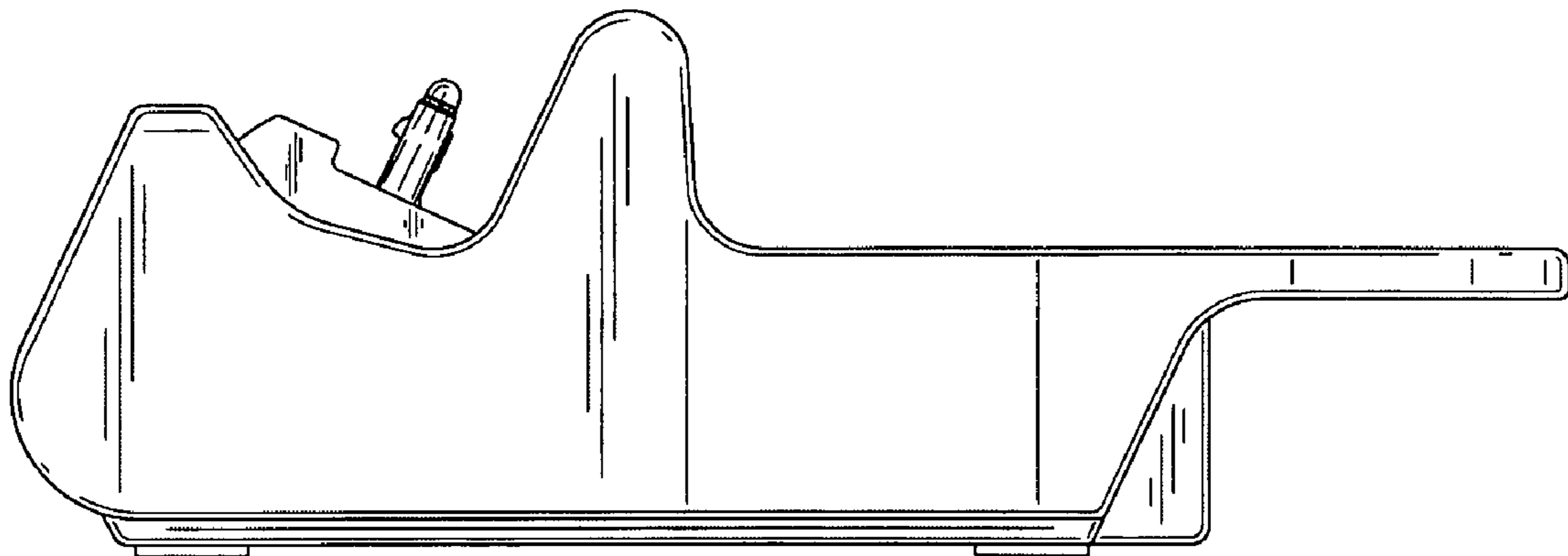


FIG.5

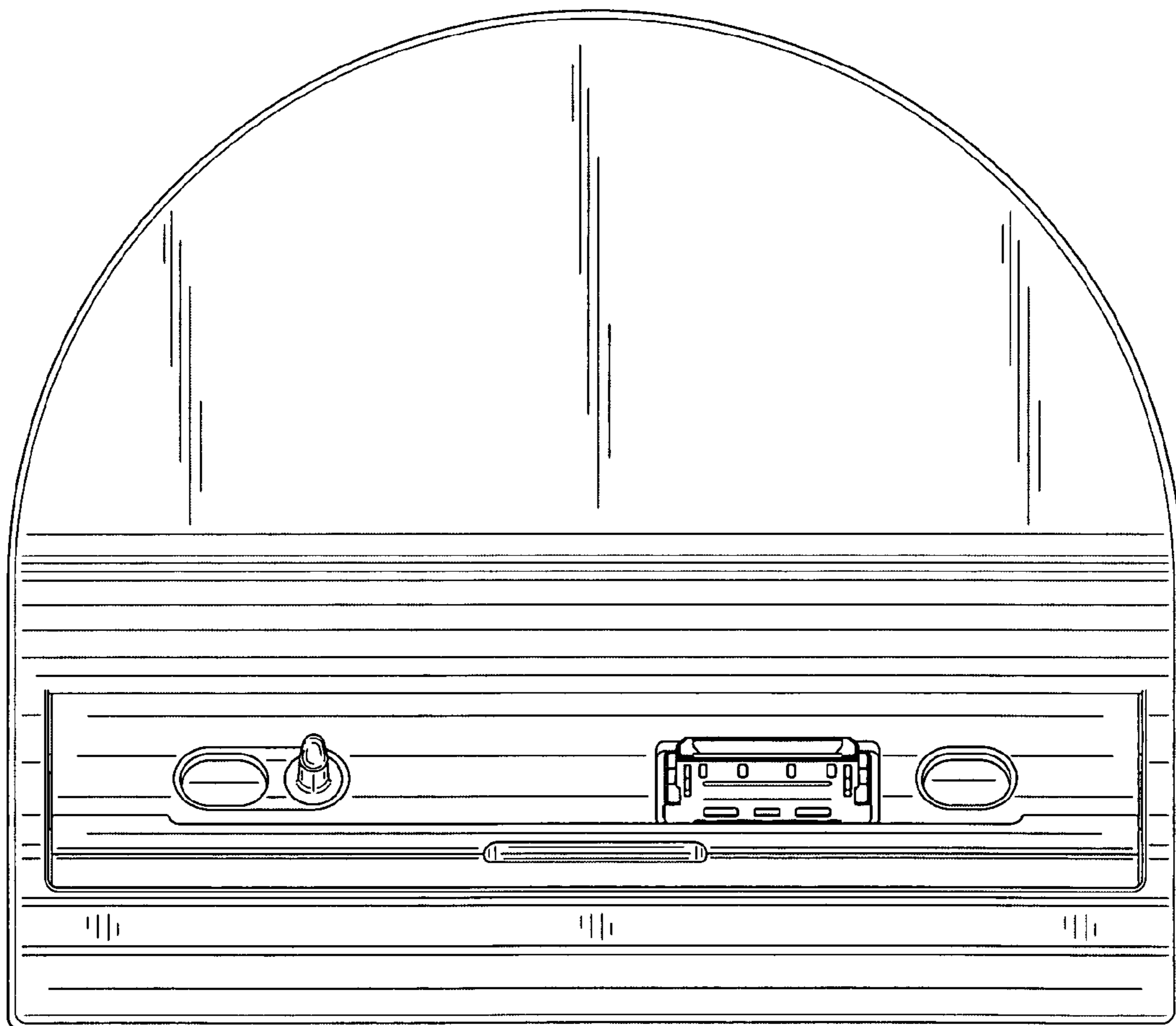


FIG.6

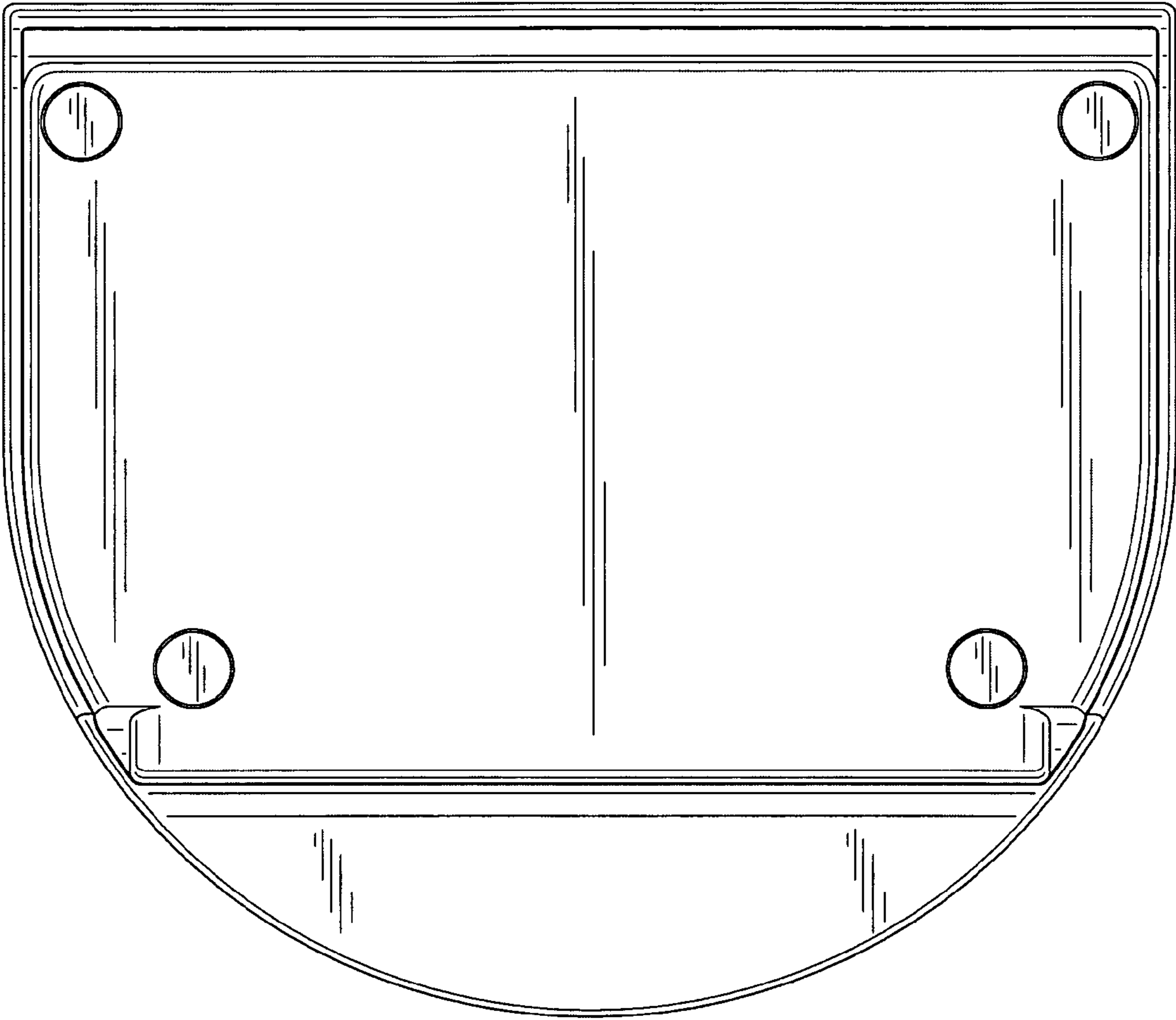
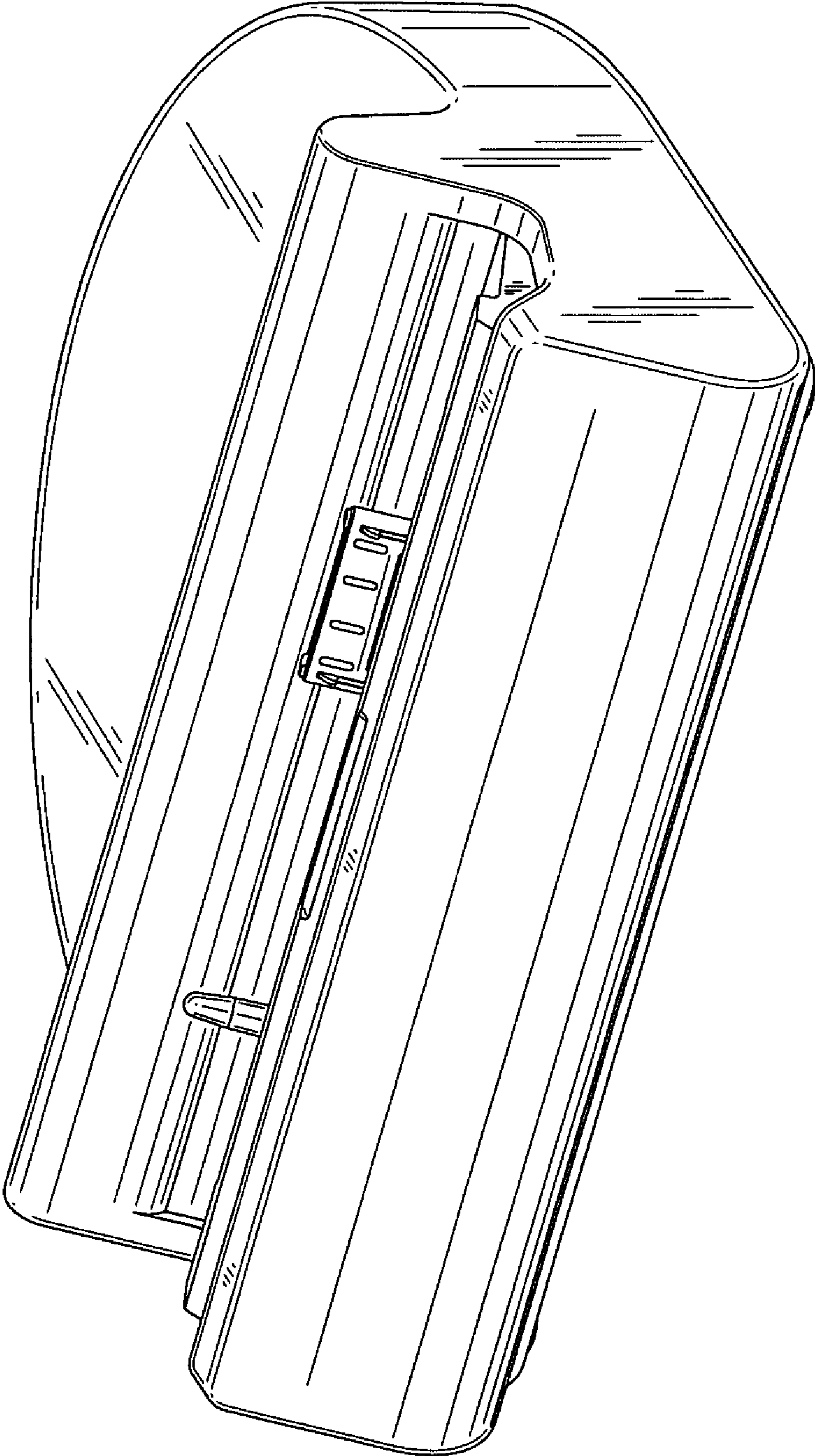


FIG.7



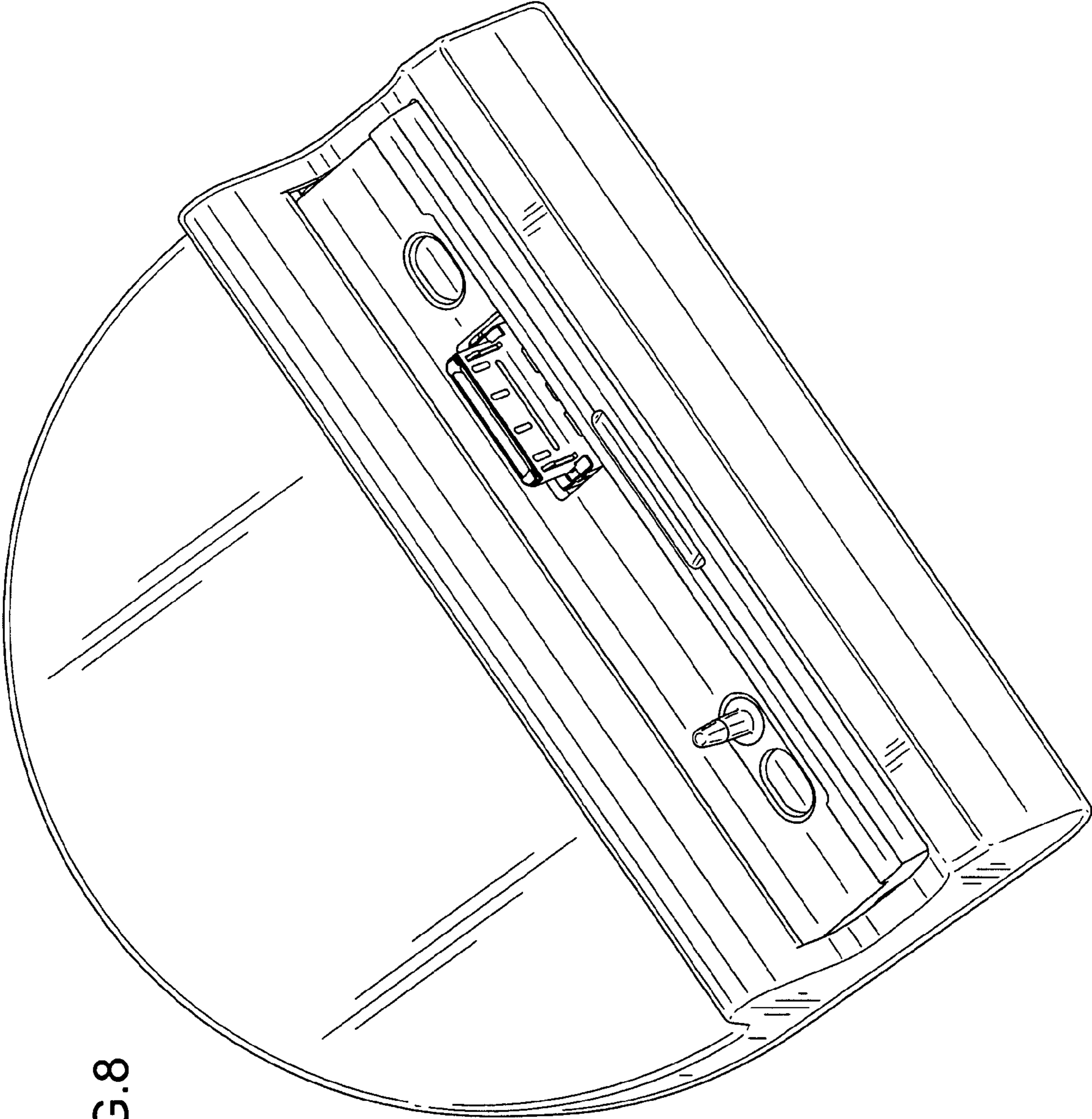


FIG.8

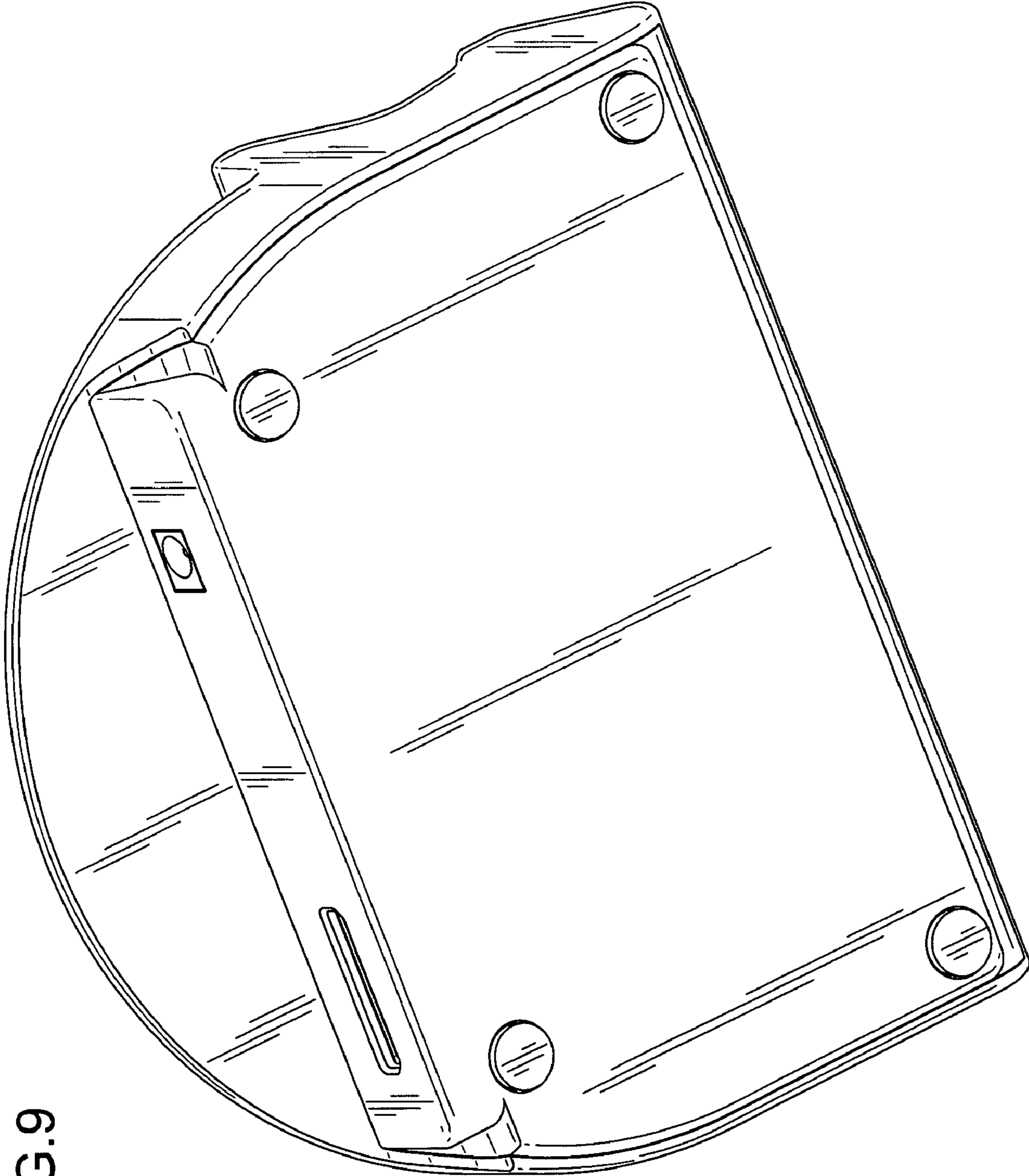


FIG.9