

US00D623127S

(12) **United States Design Patent**
Seyama et al.

(10) **Patent No.:** **US D623,127 S**

(45) **Date of Patent:** **** Sep. 7, 2010**

(54) **ASSEMBLED BATTERY**

(75) Inventors: **Yukitaka Seyama**, Kyoto (JP); **Takeshi Nakamoto**, Kyoto (JP); **Koichi Nishiyama**, Kyoto (JP)

(73) Assignee: **GS Yuasa Corporation**, Kyoto-fu (JP)

(**) Term: **14 Years**

(21) Appl. No.: **29/294,819**

(22) Filed: **Jan. 29, 2008**

(30) **Foreign Application Priority Data**

Oct. 24, 2007 (JP) D2007-029194
Oct. 24, 2007 (JP) D2007-029195

(51) **LOC (9) Cl.** **13-02**

(52) **U.S. Cl.** **D13/104**

(58) **Field of Classification Search** D13/102–106,
D13/110, 118–121, 184; 429/96–100, 163,
429/176

See application file for complete search history.

(56) **References Cited**

U.S. PATENT DOCUMENTS

D287,360	S	*	12/1986	Lehmann	D13/184
4,634,642	A	*	1/1987	Lopez-Doriga		
				Lopez-Doriga	429/121
4,693,949	A	*	9/1987	Kellett et al.	429/128
D292,576	S	*	11/1987	Kump et al.	D13/106
4,729,933	A	*	3/1988	Oswald	429/59
5,484,667	A	*	1/1996	Sahli et al.	429/100
5,498,488	A	*	3/1996	Stocchiero	429/72
5,512,065	A	*	4/1996	Kump et al.	29/623.1
D383,434	S	*	9/1997	Hooke et al.	D13/103
D400,849	S	*	11/1998	Ikeda et al.	D13/106
D401,551	S	*	11/1998	Kim	D13/106
D458,900	S	*	6/2002	Carter et al.	D13/106
6,572,999	B1	*	6/2003	Stocchiero	429/176
D491,138	S	*	6/2004	Minato	D13/104
6,972,163	B2	*	12/2005	Smith et al.	429/65
D553,565	S	*	10/2007	Kawakita et al.	D13/119

OTHER PUBLICATIONS

The 22nd Special Lecture Class Under the Auspices of Power Electronics Society Japan; Nov. 10, 2007.
2007 Joint Service Power Expo; "Power & Energy Independence for Warfighters"; Apr. 25, 2007.
The 48th Battery Symposium in Japan; Nov. 13, 2007.
GS Yuasa Corporation, News Release, Nov. 6, 2007.
GS Yuasa Technical Report, vol. 4, No. 2, Dec. 21, 2007.
GS Yuasa House Organ, No. 16, Winter 2008, Published Jan. 2008.
Technical Review of Kinki Sharyo, KS World 2007, vol. 14, Published Oct. 2007.

* cited by examiner

Primary Examiner—Rosemary K Tarca

(74) *Attorney, Agent, or Firm*—Jordan and Hamburg LLP

(57) **CLAIM**

The ornamental design for an assembled battery, as shown and described.

DESCRIPTION

FIG. 1 is a front perspective view of assembled battery showing our new design;

FIG. 2 is a top view thereof;

FIG. 3 is a front view thereof;

FIG. 4 is a bottom view thereof;

FIG. 5 is a back view thereof;

FIG. 6 is a right side view thereof;

FIG. 7 is a left side view thereof;

FIG. 8 is a top view that shows state of removing the top cover;

FIG. 9 is a sectional view taken along 9—9 of FIG. 3;

FIG. 10 is a sectional view taken along 10—10 of FIG. 3; and,

FIG. 11 is a sectional view taken along 11—11 of FIG. 6.

The broken line showing of environmental structure is for the purpose of illustrating and forms no part of the claimed design.

1 Claim, 6 Drawing Sheets

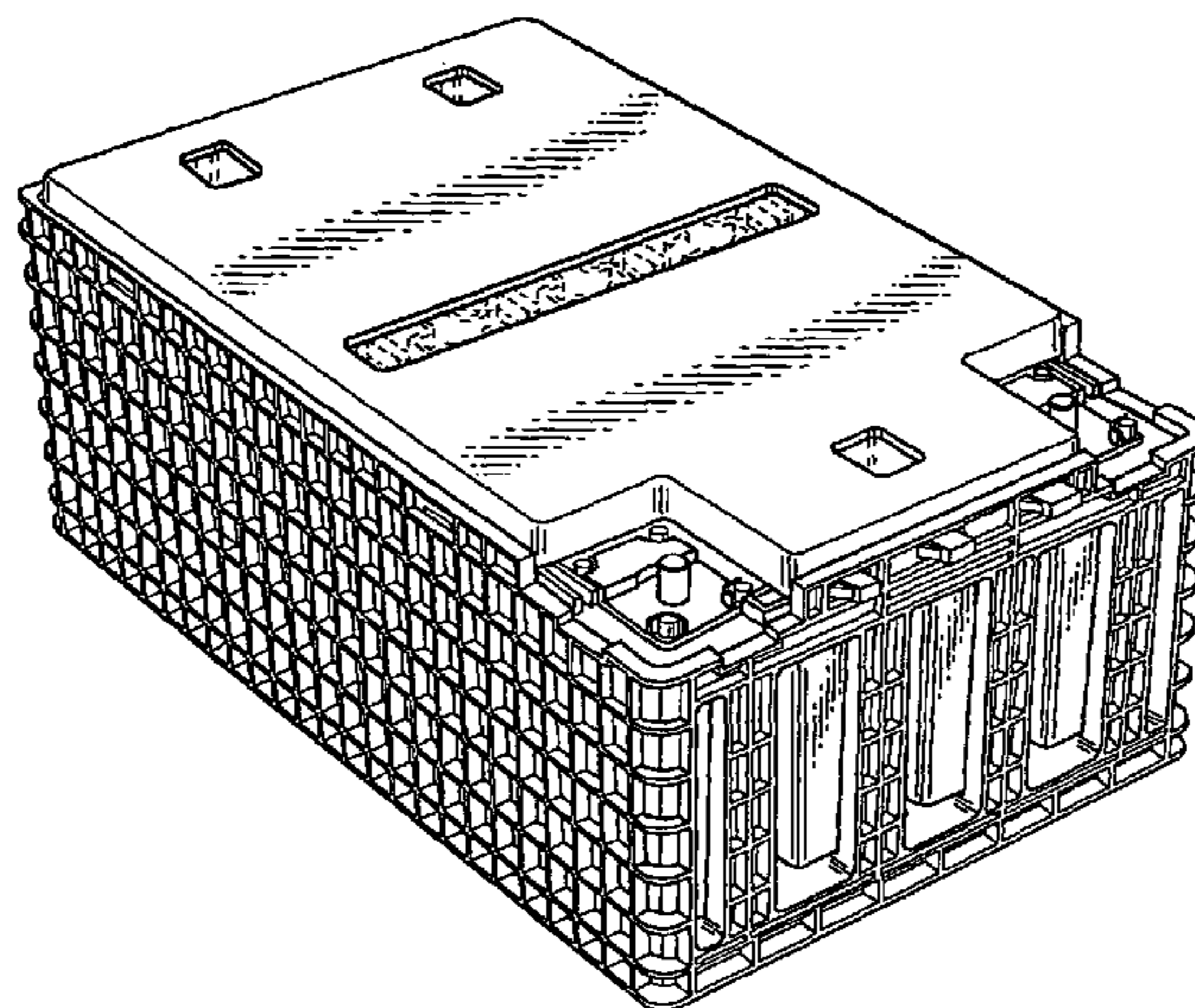


Fig. 1

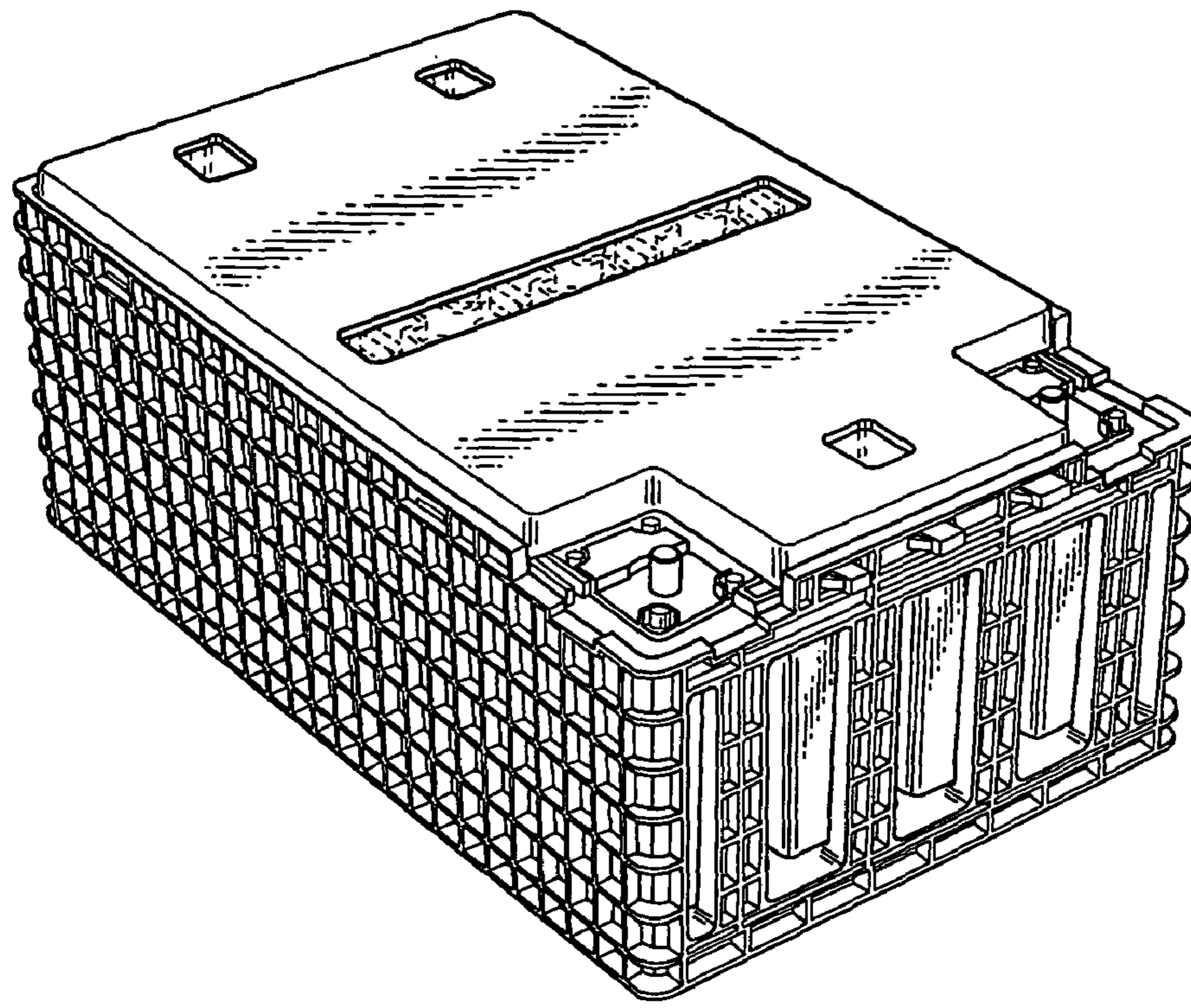


Fig. 2

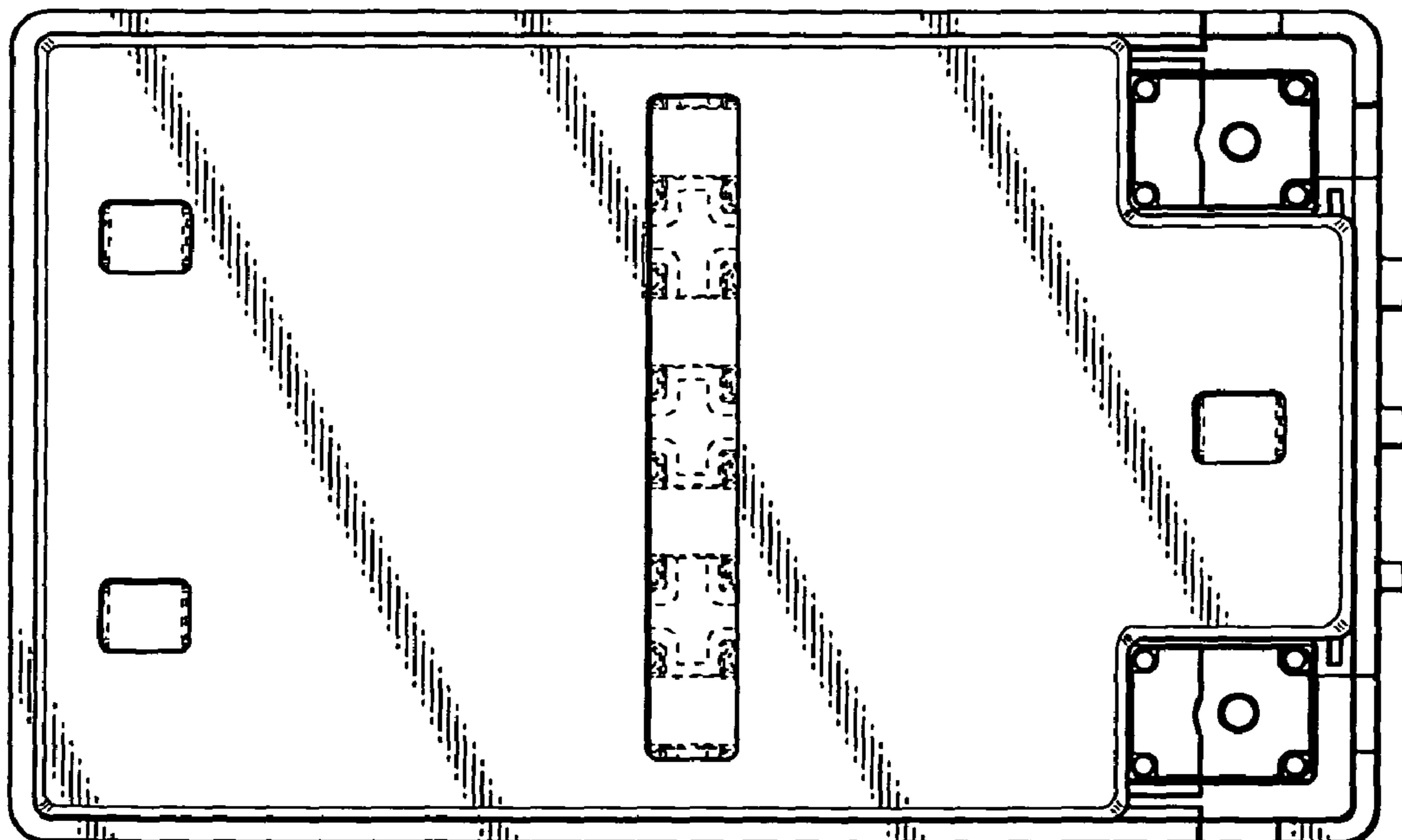


Fig. 3

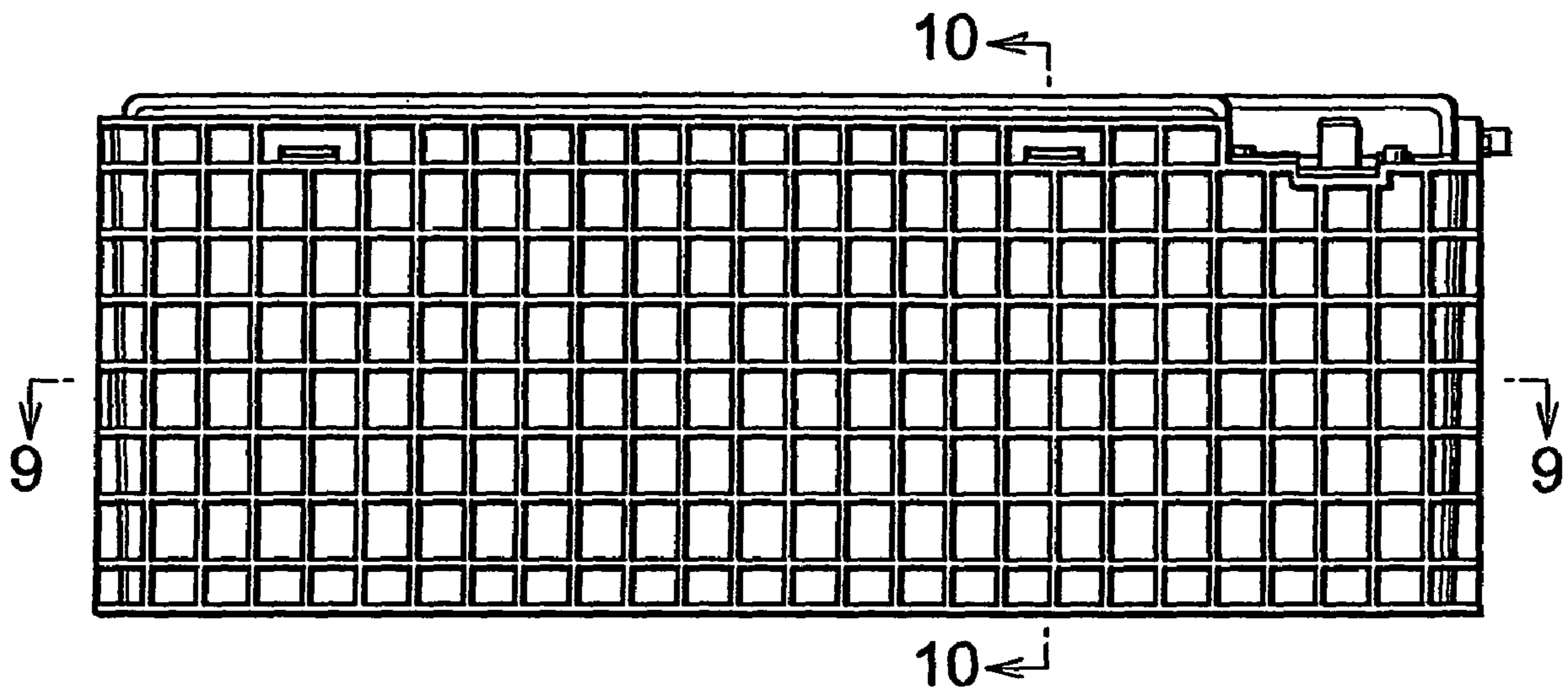


Fig. 4

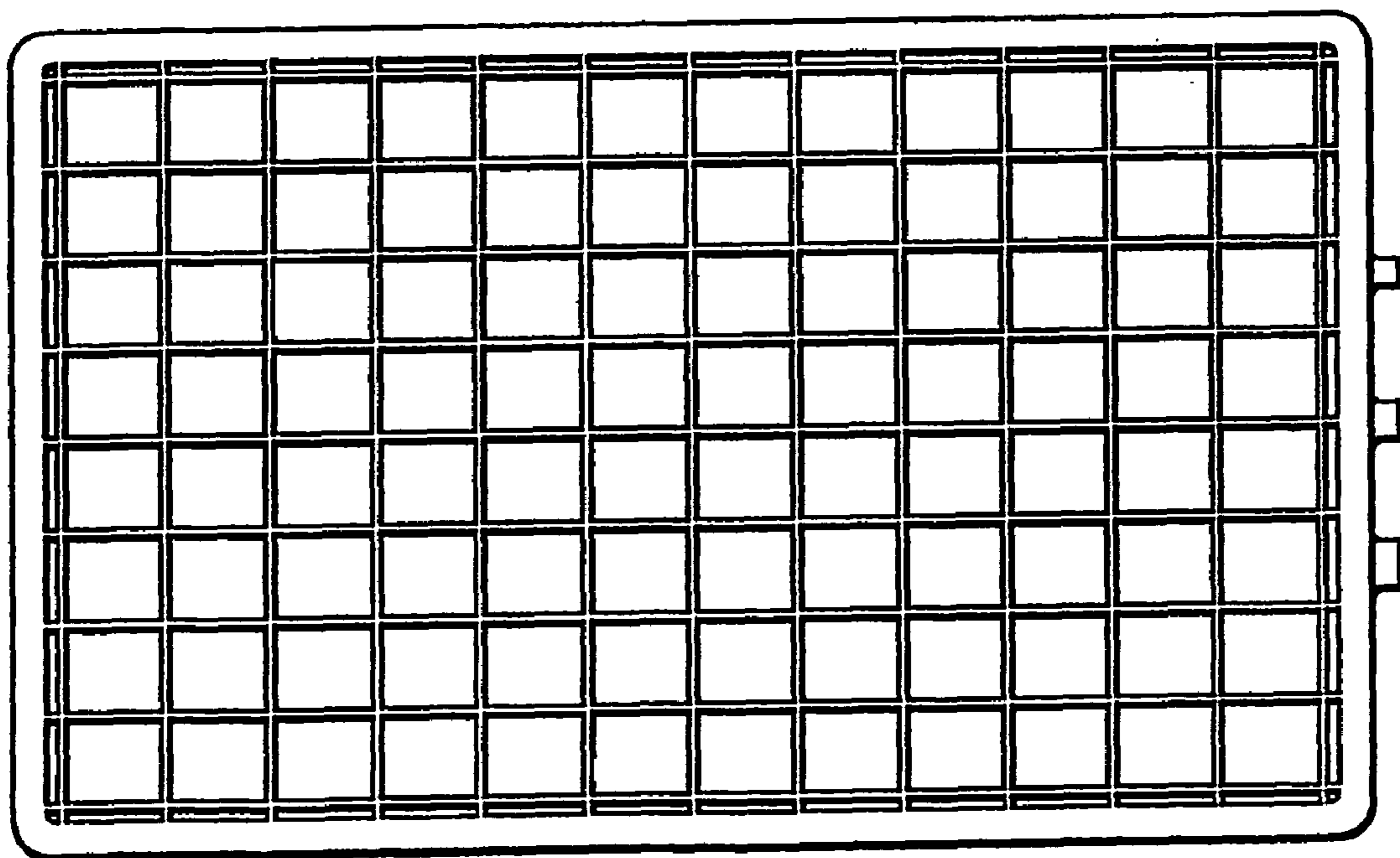


Fig. 5

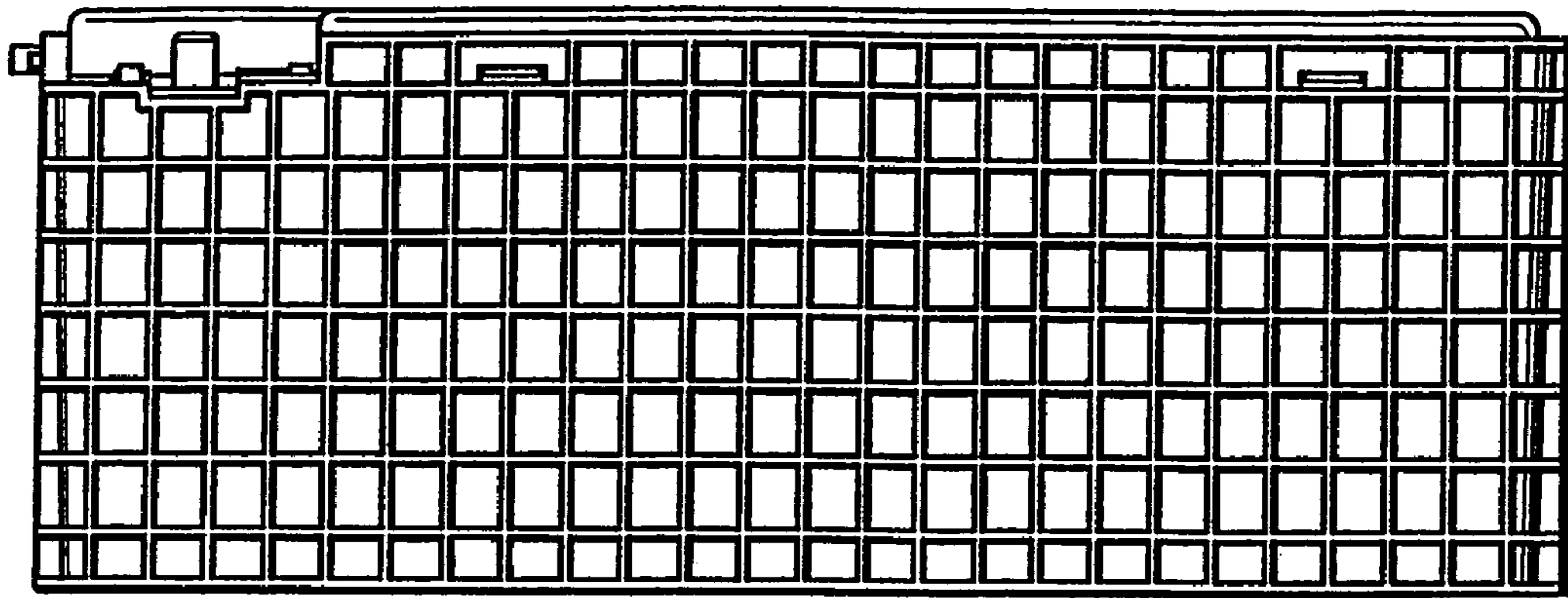


Fig. 6

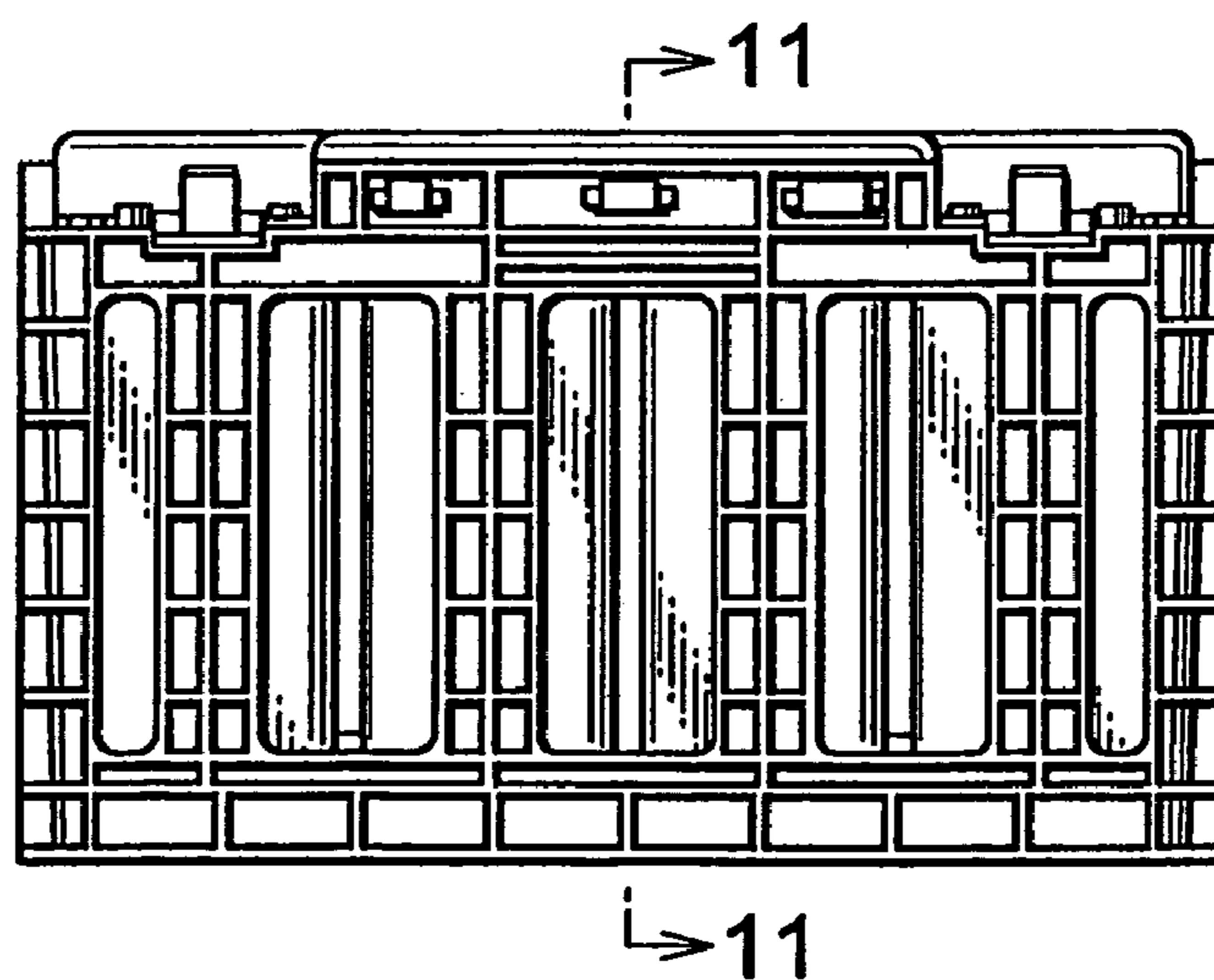


Fig. 7

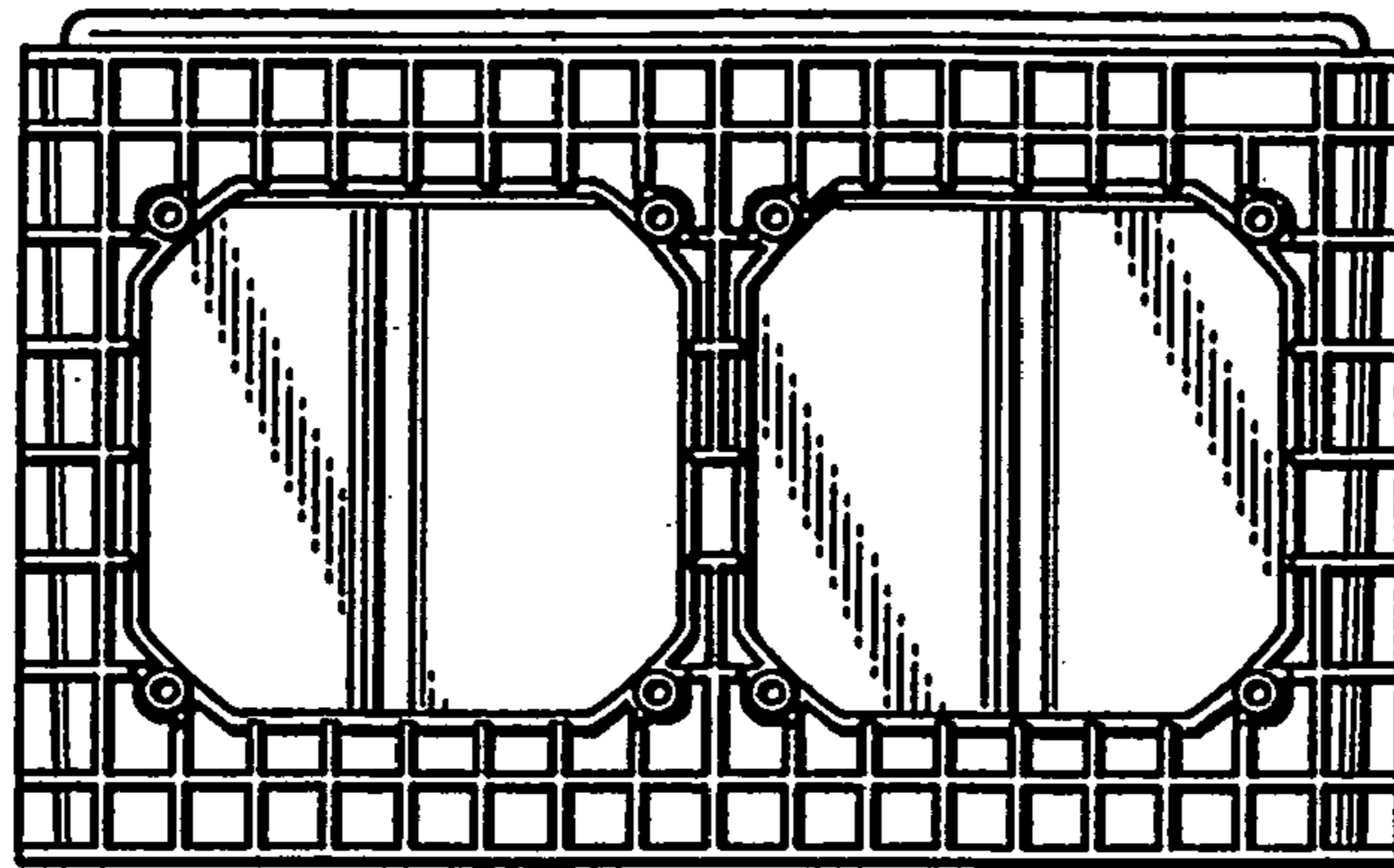


Fig. 8

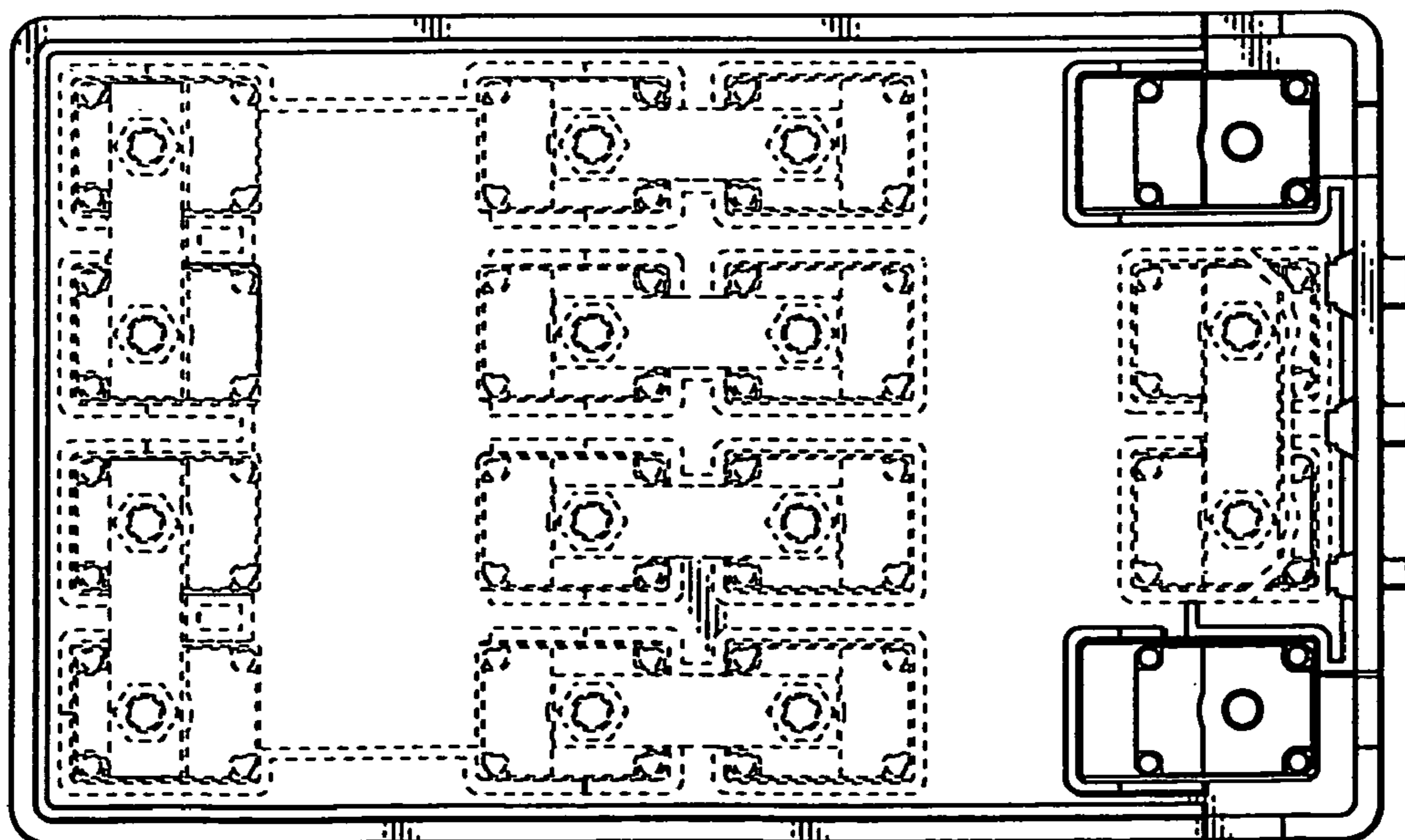


Fig. 9

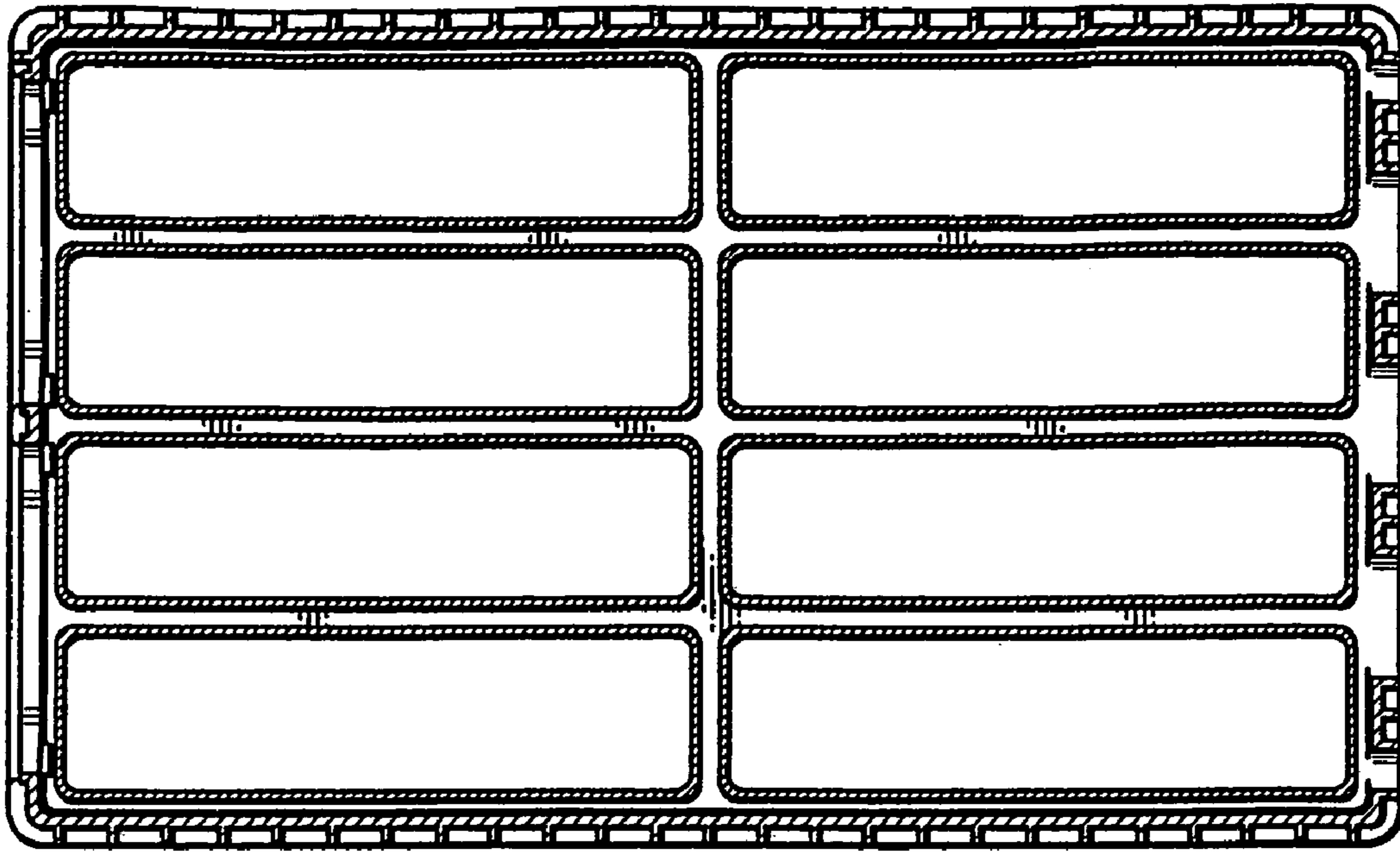


Fig. 10

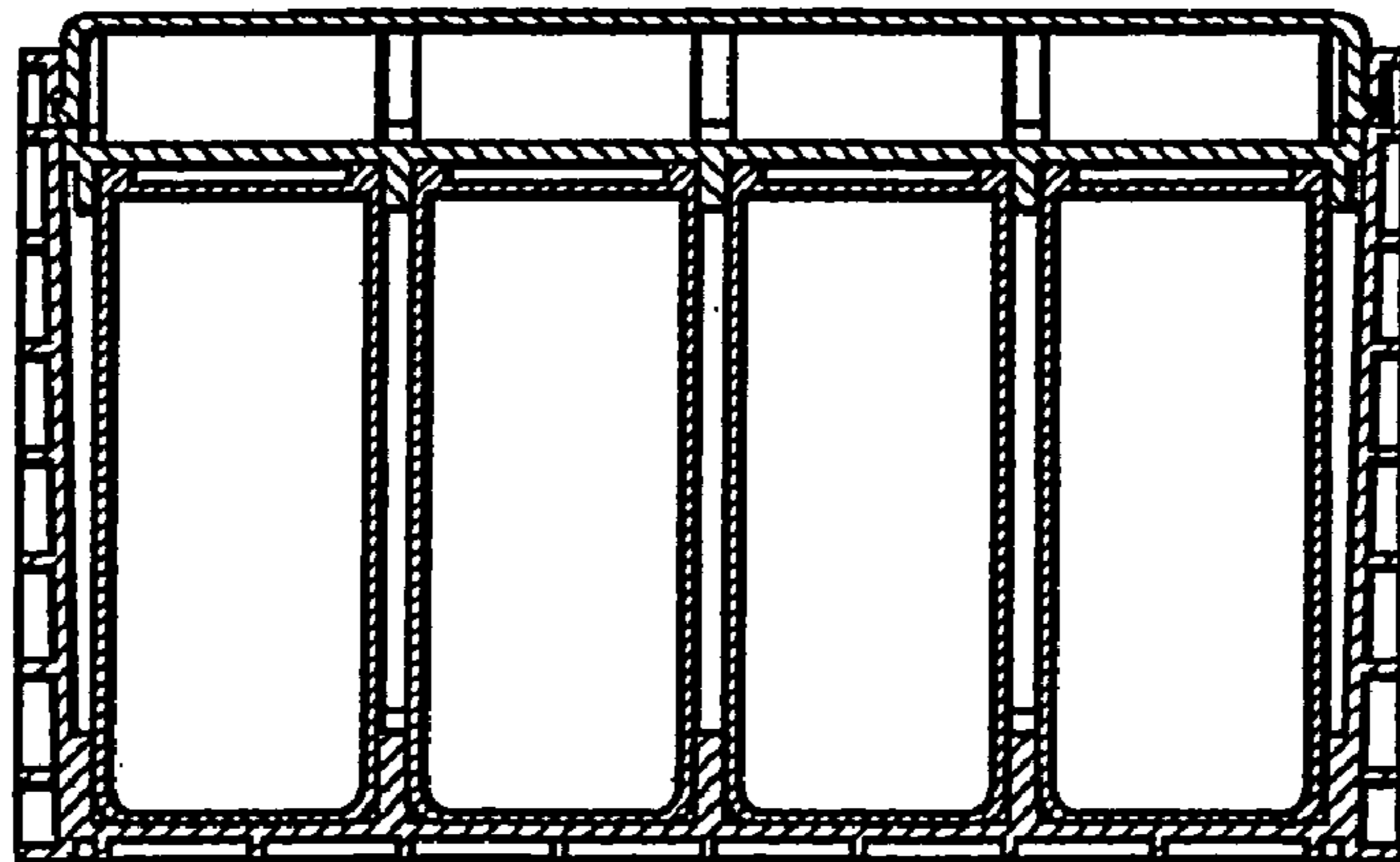


Fig. 11

