



US00D623126S

(12) **United States Design Patent**  
**Contreras**

(10) **Patent No.:** **US D623,126 S**  
(45) **Date of Patent:** **\*\* Sep. 7, 2010**

(54) **BATTERY, SWITCH AND VOLTAGE INDICATOR DEVICE**

(75) Inventor: **Abraham B. Contreras**, Jenks, OK (US)

(73) Assignee: **Continental Industries, Inc.**, Tulsa, OK (US)

(\*\*) Term: **14 Years**

(21) Appl. No.: **29/355,519**

(22) Filed: **Feb. 9, 2010**

(51) **LOC (9) Cl.** ..... **13-02**

(52) **U.S. Cl.** ..... **D13/103; D10/77**

(58) **Field of Classification Search** ..... D13/103–110, D13/118–119, 184, 199; D14/251, 253, D14/432, 434; 320/107–115, 132, 134, 136; D10/75, 77–78; 324/72.5, 133, 426, 429, 324/433, 635–636; 429/96–100, 163, 176  
See application file for complete search history.

(56) **References Cited**

**U.S. PATENT DOCUMENTS**

3,896,842	A	7/1975	Cole	
3,922,008	A	11/1975	Stiner et al.	
3,934,849	A	1/1976	Morain et al.	
3,941,145	A	3/1976	Morain et al.	
3,944,262	A	3/1976	Stiner et al.	
4,094,536	A	6/1978	Cole et al.	
4,099,670	A	7/1978	Cole et al.	
4,889,180	A	12/1989	Sloan	
4,889,324	A	12/1989	Brosnan et al.	
4,905,725	A	3/1990	Sinkinson et al.	
4,976,366	A	12/1990	Russell	
5,366,260	A	11/1994	Wartluft	
D370,201	S *	5/1996	Okano et al. ....	D13/103
D370,888	S *	6/1996	Okumura ....	D13/108
5,524,940	A	6/1996	Wartluft	
5,692,785	A	12/1997	Wartluft et al.	
5,791,698	A	8/1998	Wartluft et al.	
5,853,272	A	12/1998	Wartluft et al.	
D406,258	S *	3/1999	Segers ....	D13/103

5,975,587	A	11/1999	Wood et al.	
6,050,613	A	4/2000	Wartluft	
D426,513	S *	6/2000	Toops et al. ....	D13/103
D434,371	S *	11/2000	Goto et al. ....	D13/107
6,286,542	B1	9/2001	Morain et al.	
D469,026	S *	1/2003	Hoofnagle et al. ....	D10/78
D491,888	S *	6/2004	Lee ....	D13/103

(Continued)

*Primary Examiner*—Rosemary K Tarcza  
(74) *Attorney, Agent, or Firm*—Head, Johnson & Kachigian, P.C.

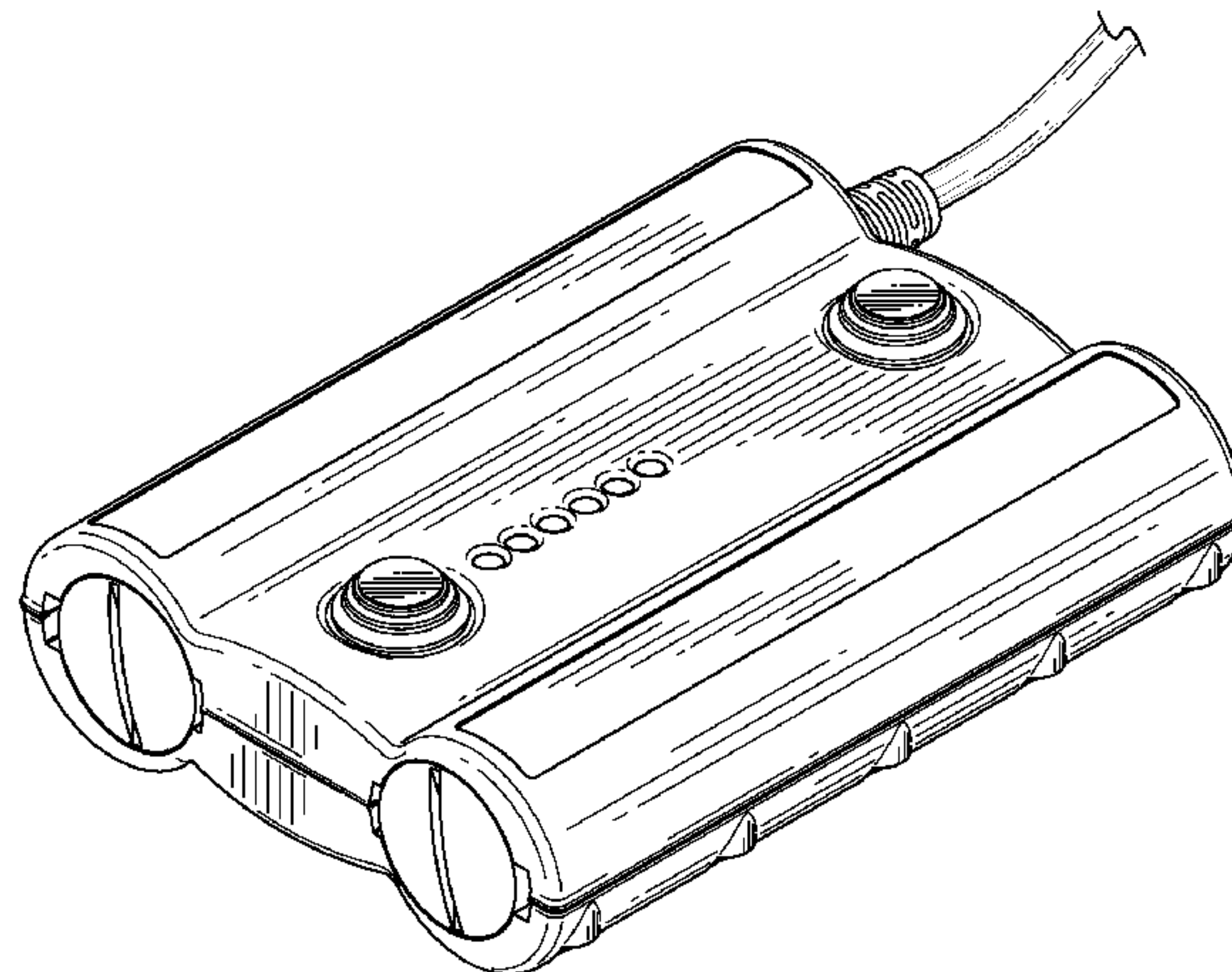
(57) **CLAIM**

The ornamental design for a battery, switch and voltage indicator device, as shown and described.

**DESCRIPTION**

FIG. 1 is a perspective view of a battery, switch and voltage indicator device constructed in accordance with the present invention;  
FIG. 2 is a front view of a battery, switch and voltage indicator device as shown in FIG. 1;  
FIG. 3 is a back view of a battery, switch and voltage indicator device as shown in FIG. 1;  
FIG. 4 is a top view of a battery, switch and voltage indicator device as shown in FIG. 1;  
FIG. 5 is a right side view of a battery, switch and voltage indicator device as shown in FIG. 1;  
FIG. 6 is a bottom view of a battery, switch and voltage indicator device as shown in FIG. 1; and,  
FIG. 7 is a left side view of a battery, switch and voltage indicator device as shown in FIG. 1.

**1 Claim, 3 Drawing Sheets**



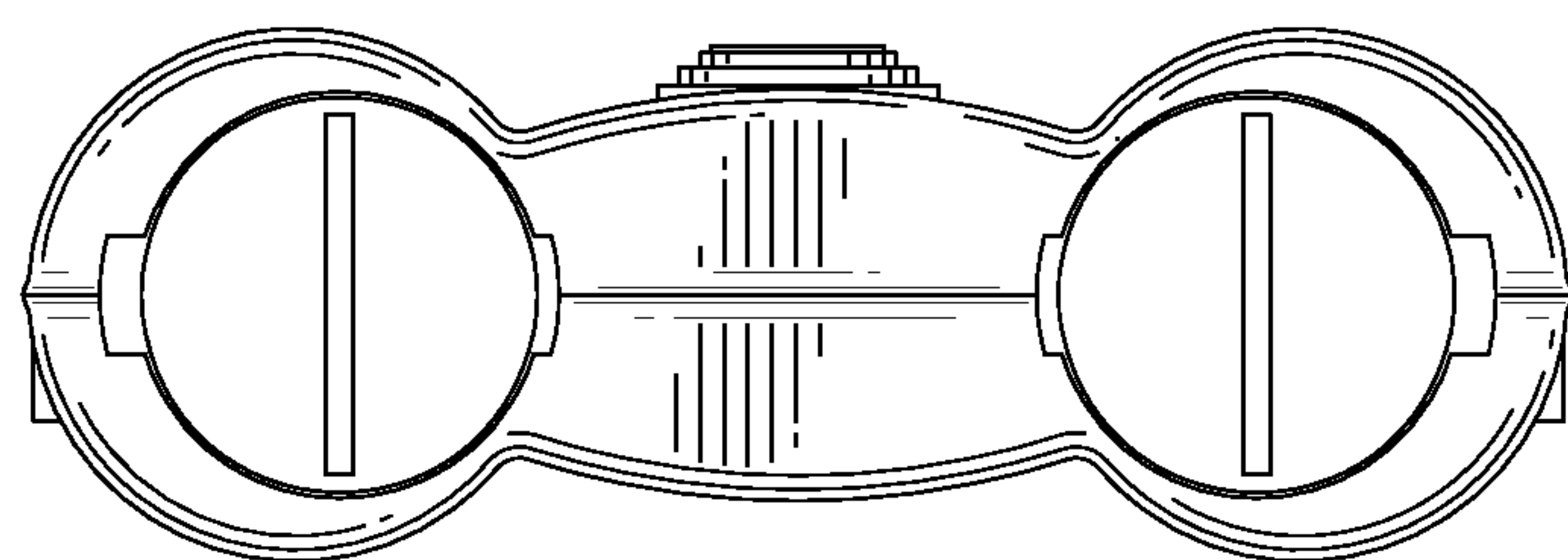
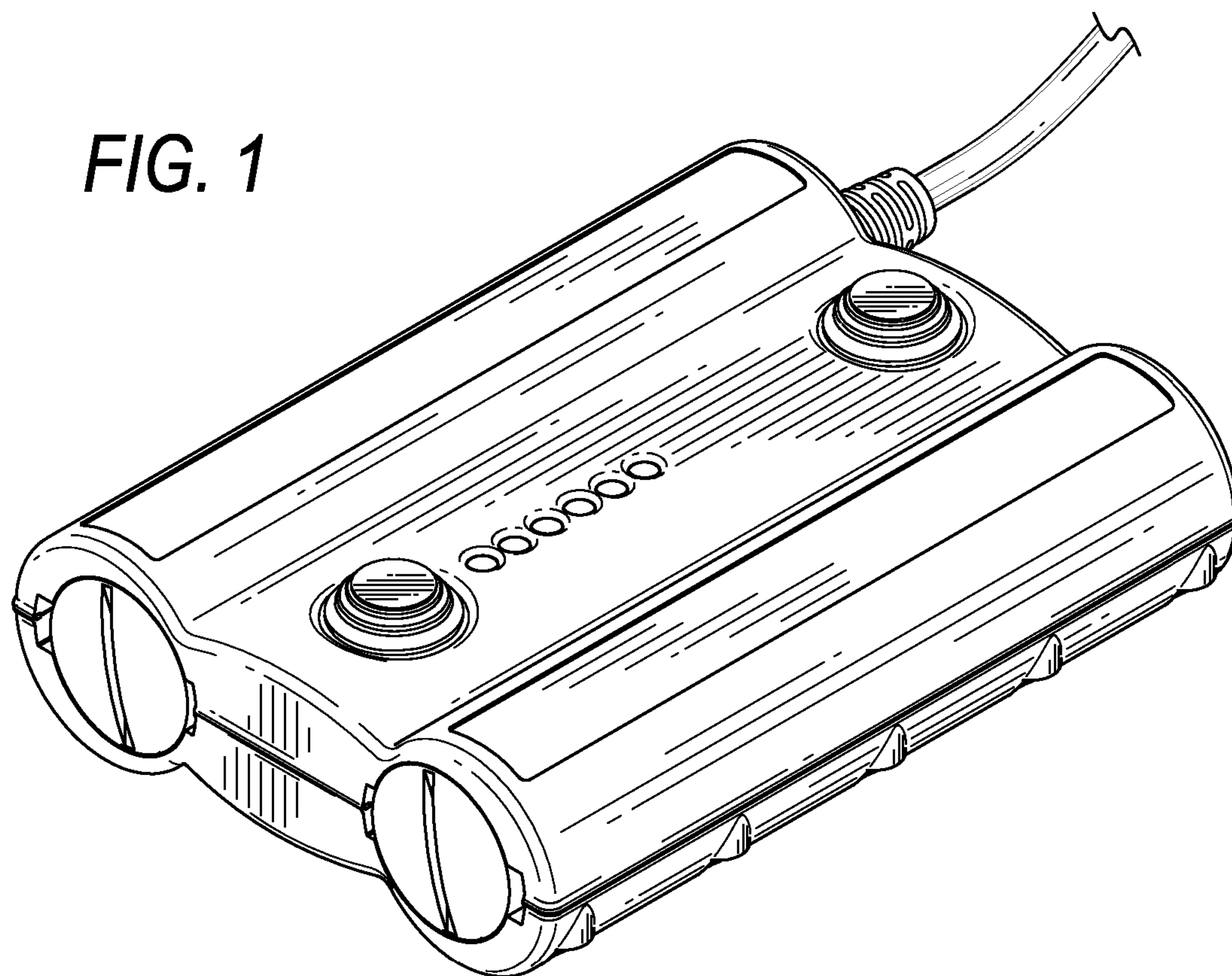
# US D623,126 S

Page 2

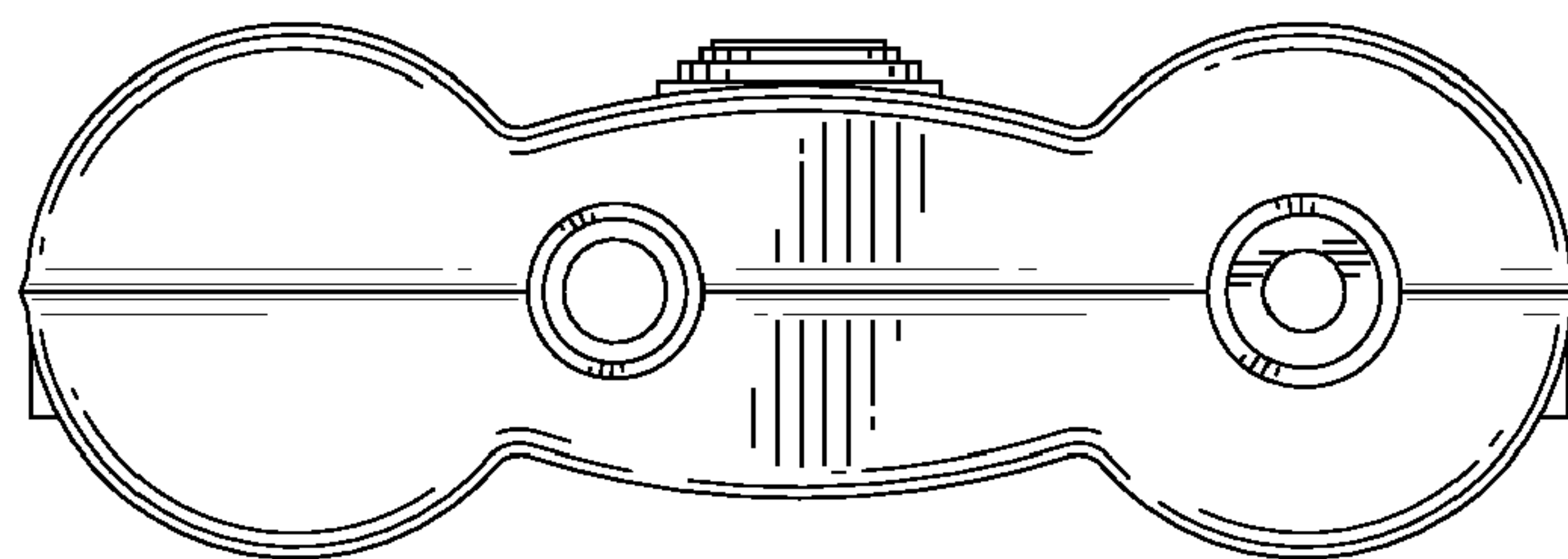
## U.S. PATENT DOCUMENTS

6,746,055	B1	6/2004	Wood et al.	
6,776,386	B1	8/2004	Morrissey et al.	
6,877,777	B1	4/2005	Wartluft	
D510,882	S *	10/2005	Buchanan	D10/78
D515,444	S *	2/2006	Zimmerman et al.	D10/77
6,994,244	B2	2/2006	Harger et al.	
7,240,717	B2	7/2007	Lofton	
D556,678	S *	12/2007	Weinstein et al.	D13/103
D556,679	S *	12/2007	Weinstein et al.	D13/103
D556,683	S *	12/2007	Bonanno	D13/110
D568,240	S *	5/2008	Haydvoegel	D13/103
D570,772	S *	6/2008	Mahaffey et al.	D13/110
D574,834	S *	8/2008	Chen	D14/432
D575,174	S *	8/2008	Morel	D10/78
D575,288	S *	8/2008	Chen	D14/432
D580,859	S	11/2008	Jones et al.	
D583,756	S *	12/2008	Walsh et al.	D13/103
D586,739	S *	2/2009	Zaremba et al.	D13/103
D592,138	S *	5/2009	Mahaffey et al.	D13/123
D601,961	S *	10/2009	Mahaffey et al.	D13/123
D610,081	S *	2/2010	DeSorbo	D13/103
D611,851	S *	3/2010	Zimmerman et al.	D10/77
D612,329	S *	3/2010	Guccione et al.	D13/108

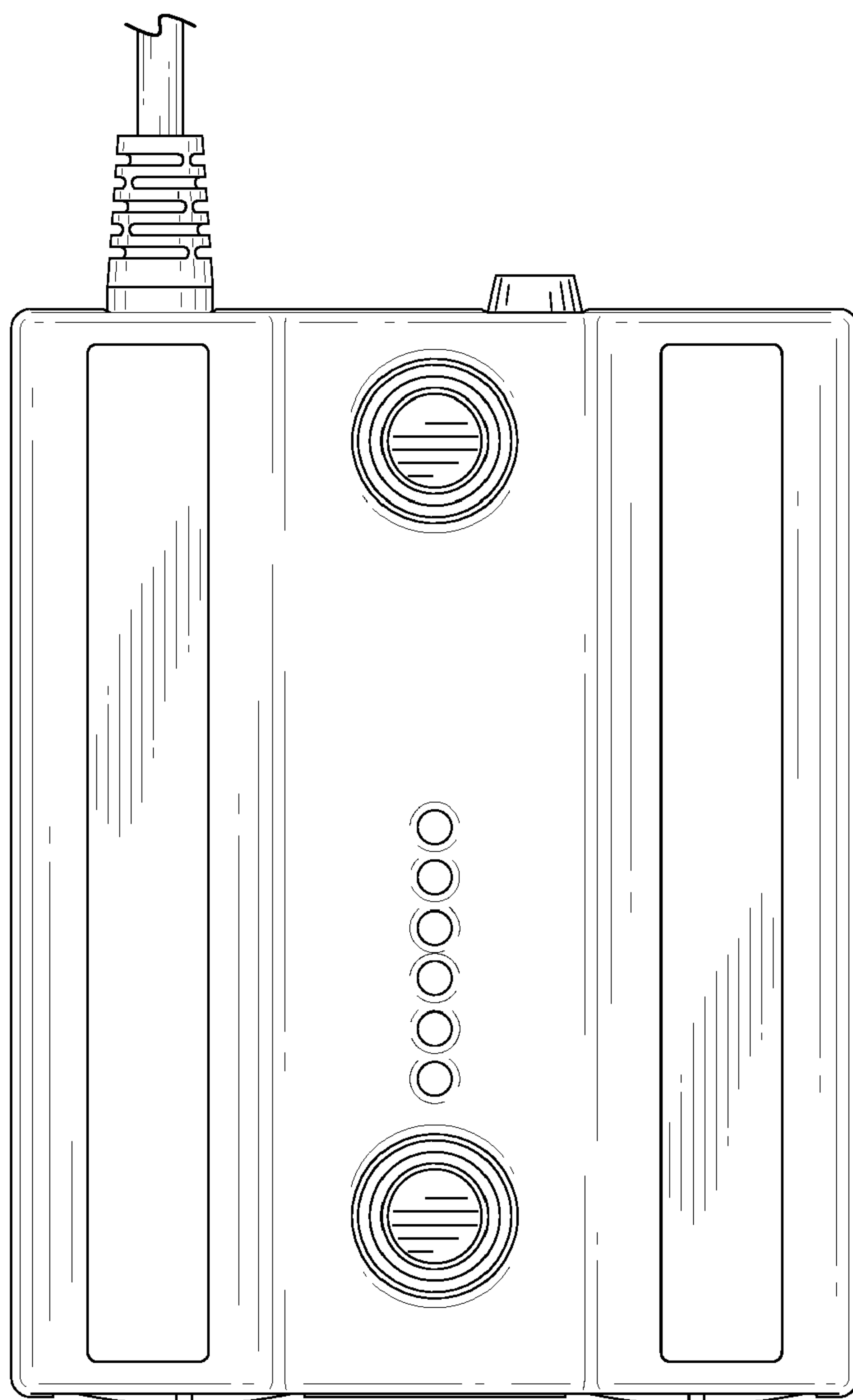
\* cited by examiner



**FIG. 2**



**FIG. 3**



**FIG. 4**



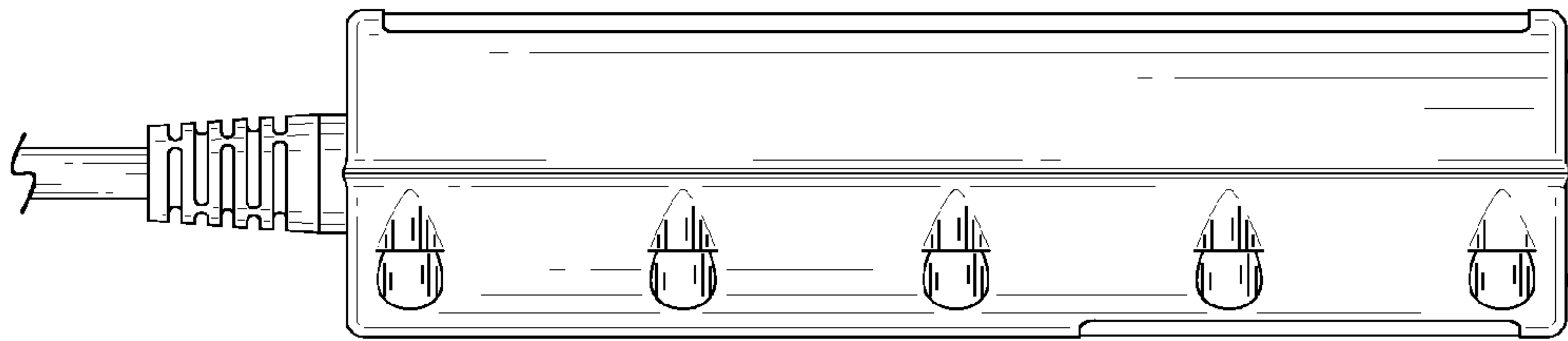


FIG. 5

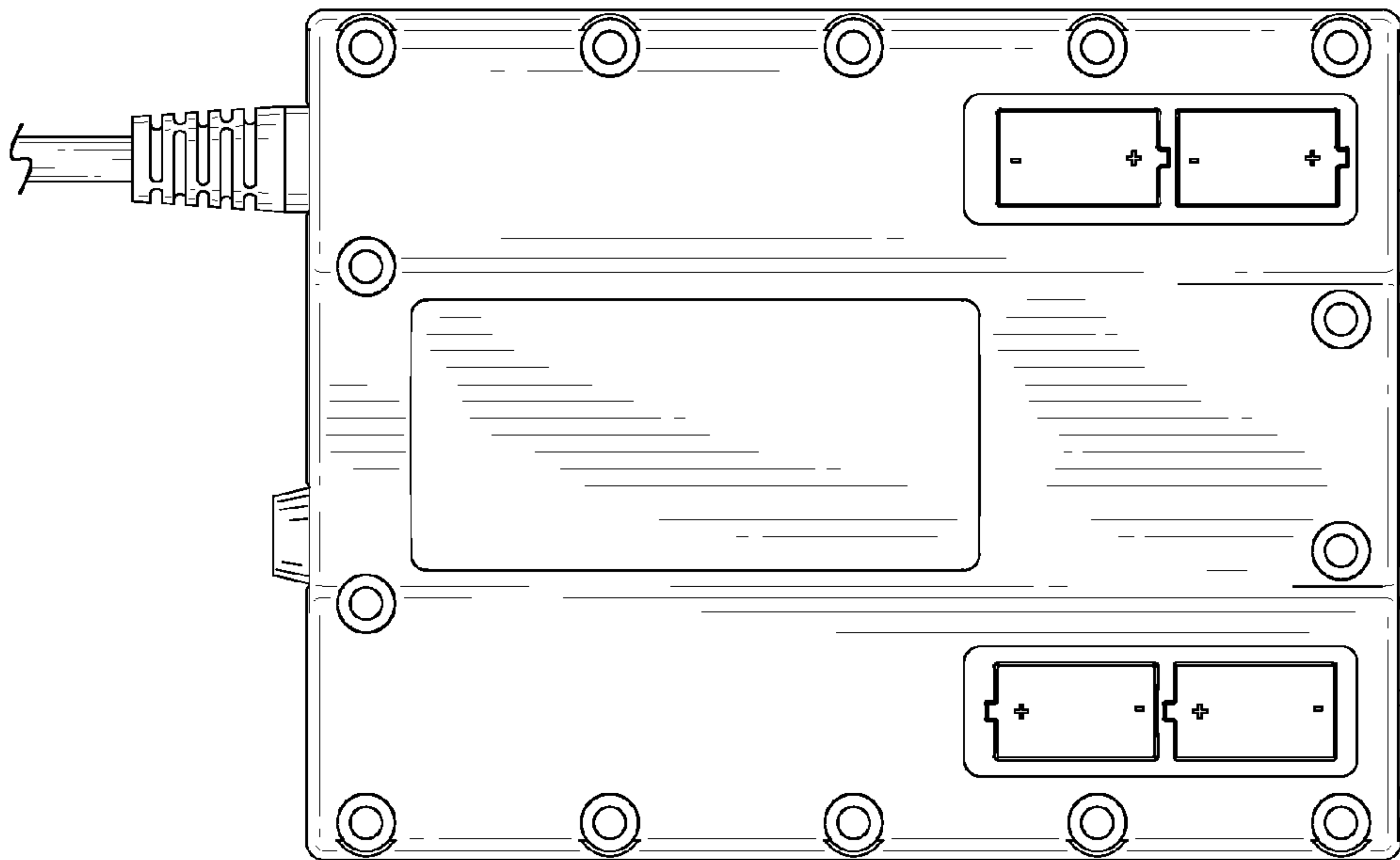


FIG. 6

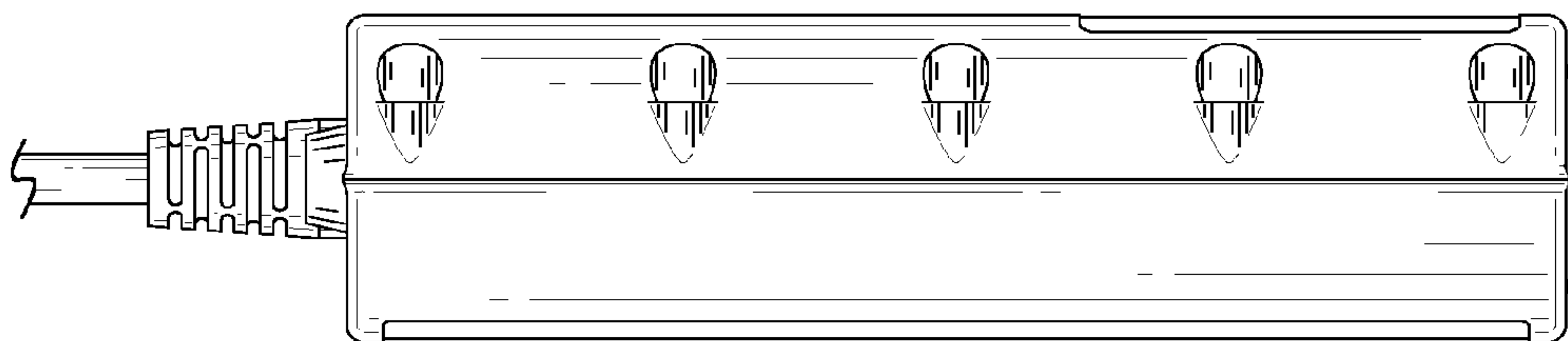


FIG. 7