

US00D623120S

(12) **United States Design Patent**
Farber

(10) **Patent No.:** **US D623,120 S**

(45) **Date of Patent:** **** Sep. 7, 2010**

(54) **KAYAK CARRIER**

(76) Inventor: **Robert Farber**, 2 Gayton Road,
Montreal, Quebec (CA) H3X 1K7

(**) Term: **14 Years**

(21) Appl. No.: **29/353,395**

(22) Filed: **Jan. 7, 2010**

(51) **LOC (9) Cl.** **12-16**

(52) **U.S. Cl.** **D12/412**

(58) **Field of Classification Search** D12/401-414,
D12/414.1, 89-93, 16, 96-100; D21/433-434,
D21/548, 552, 559, 561; D25/38, 43; D6/552,
D6/513, 567; 135/88.01, 95; 150/165-167,
150/158; 160/32, 26; 280/770; 296/136.01,
296/190.08, 190.01-190.02, 114-116, 77.1,
296/100.01-100.06, 98; 248/687, 688; D8/71
See application file for complete search history.

(56) **References Cited**

U.S. PATENT DOCUMENTS

D497,873 S	*	11/2004	Graber	D12/407
D499,372 S	*	12/2004	Andersson	D12/414
D571,279 S	*	6/2008	Trusty et al.	D12/414
D598,689 S	*	8/2009	McDonald	D6/552
D605,577 S	*	12/2009	Maguire	D12/407
D605,578 S	*	12/2009	Retief	D12/411

* cited by examiner

Primary Examiner—Caron Veynar
Assistant Examiner—Katrina A Kile

(74) *Attorney, Agent, or Firm*—Husch Blackwell Sanders
Welsh & Katz

(57) **CLAIM**

The ornamental design for a kayak carrier, as shown and described.

DESCRIPTION

FIG. 1 is a perspective view of the kayak carrier showing the new design with a center arm pivoted to a 90° position with respect to a base member;

FIG. 2 is a side elevational view thereof;

FIG. 3 is an opposite side elevational view thereof;

FIG. 4 is a front elevational view thereof;

FIG. 5 is a rear elevational view thereof;

FIG. 6 is a top plan view thereof;

FIG. 7 is a bottom plan view thereof;

FIG. 8 is a side elevational view of the kayak carrier with the center arm pivoted to a 0° position with respect to the base member; and,

FIG. 9 is a side elevational view of the kayak carrier with a center arm pivoted to about a 45° position with respect to the base member.

In the drawings, the broken lines depict portions of the design that form no part of the claim.

1 Claim, 5 Drawing Sheets

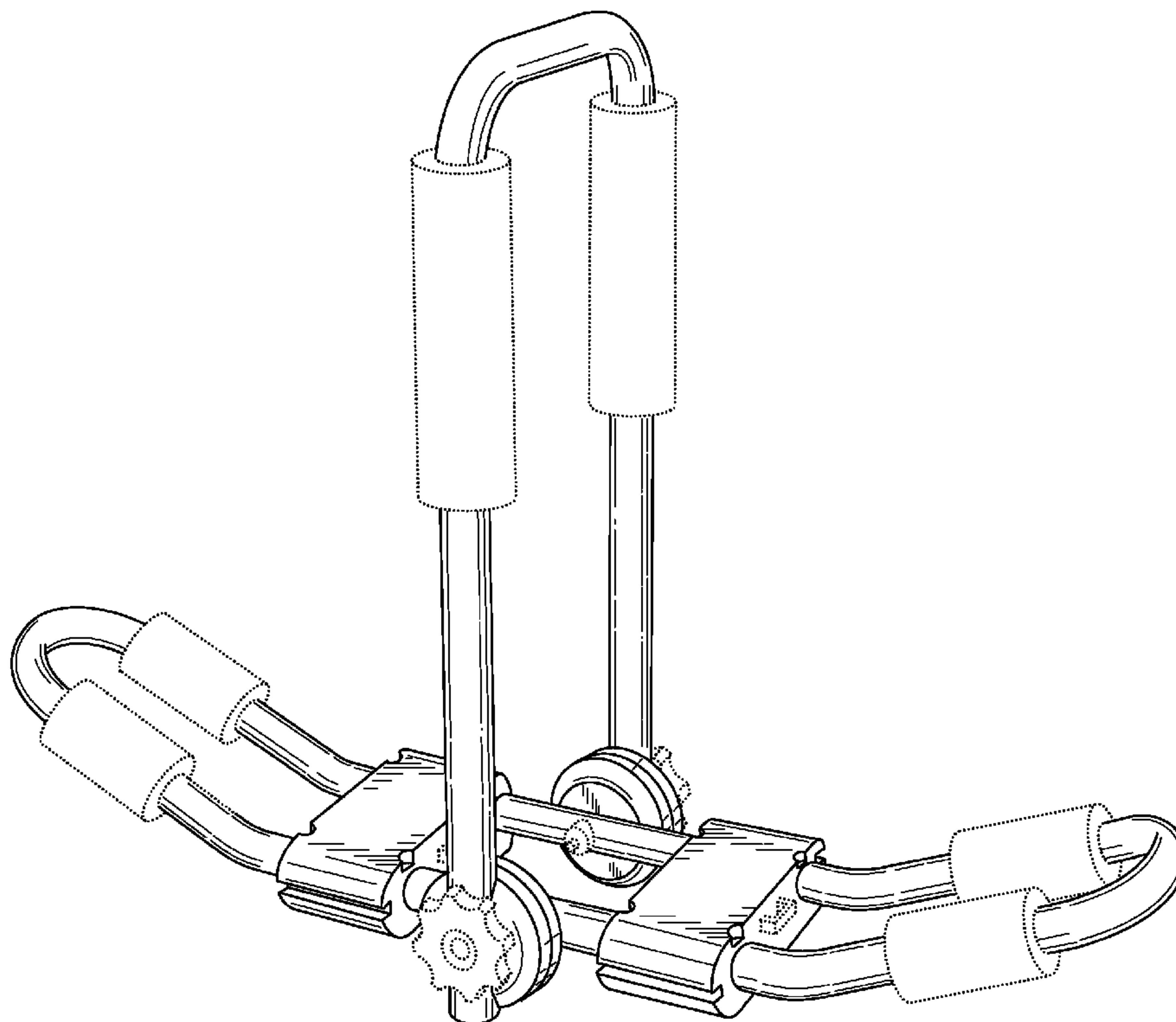
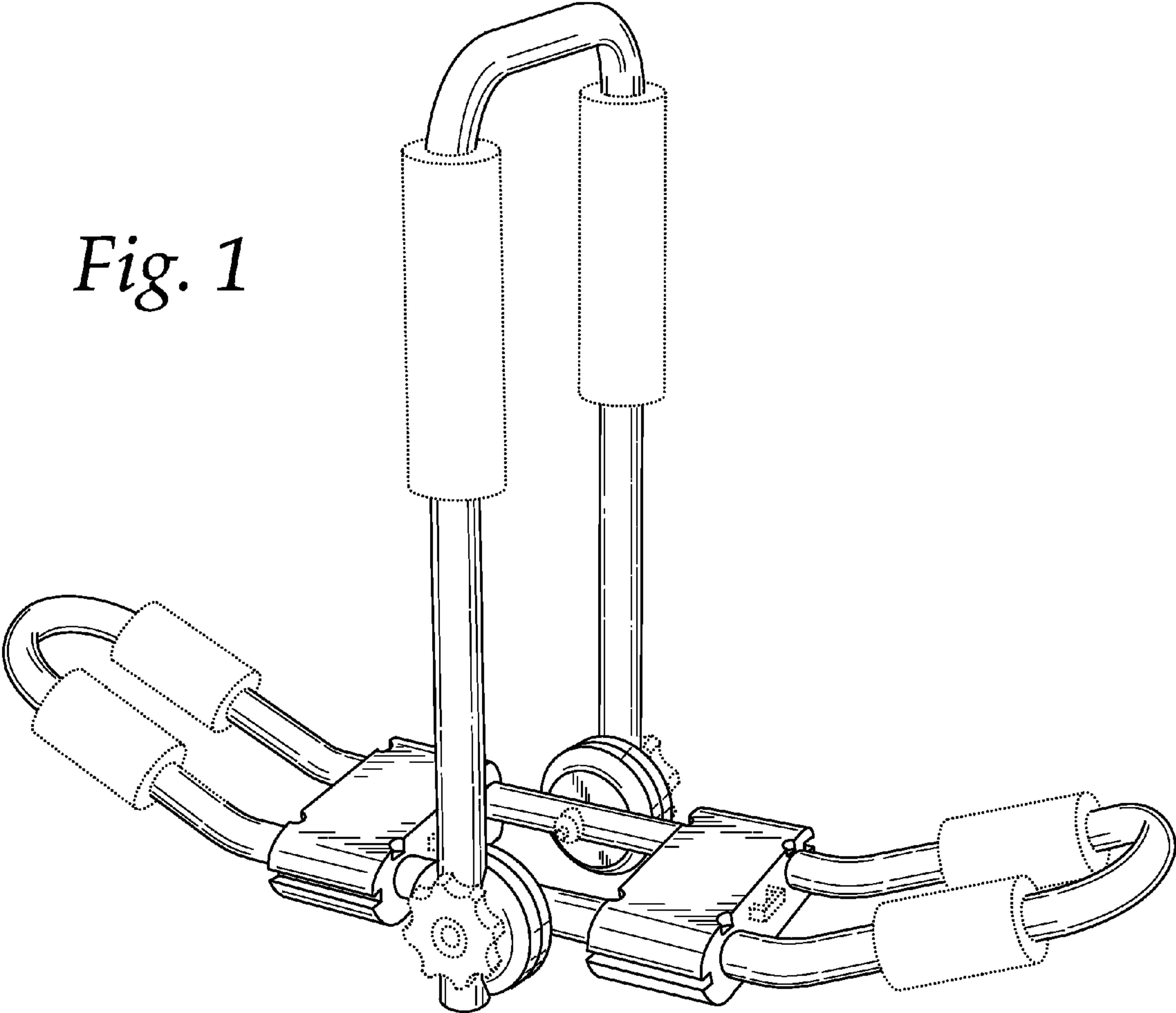
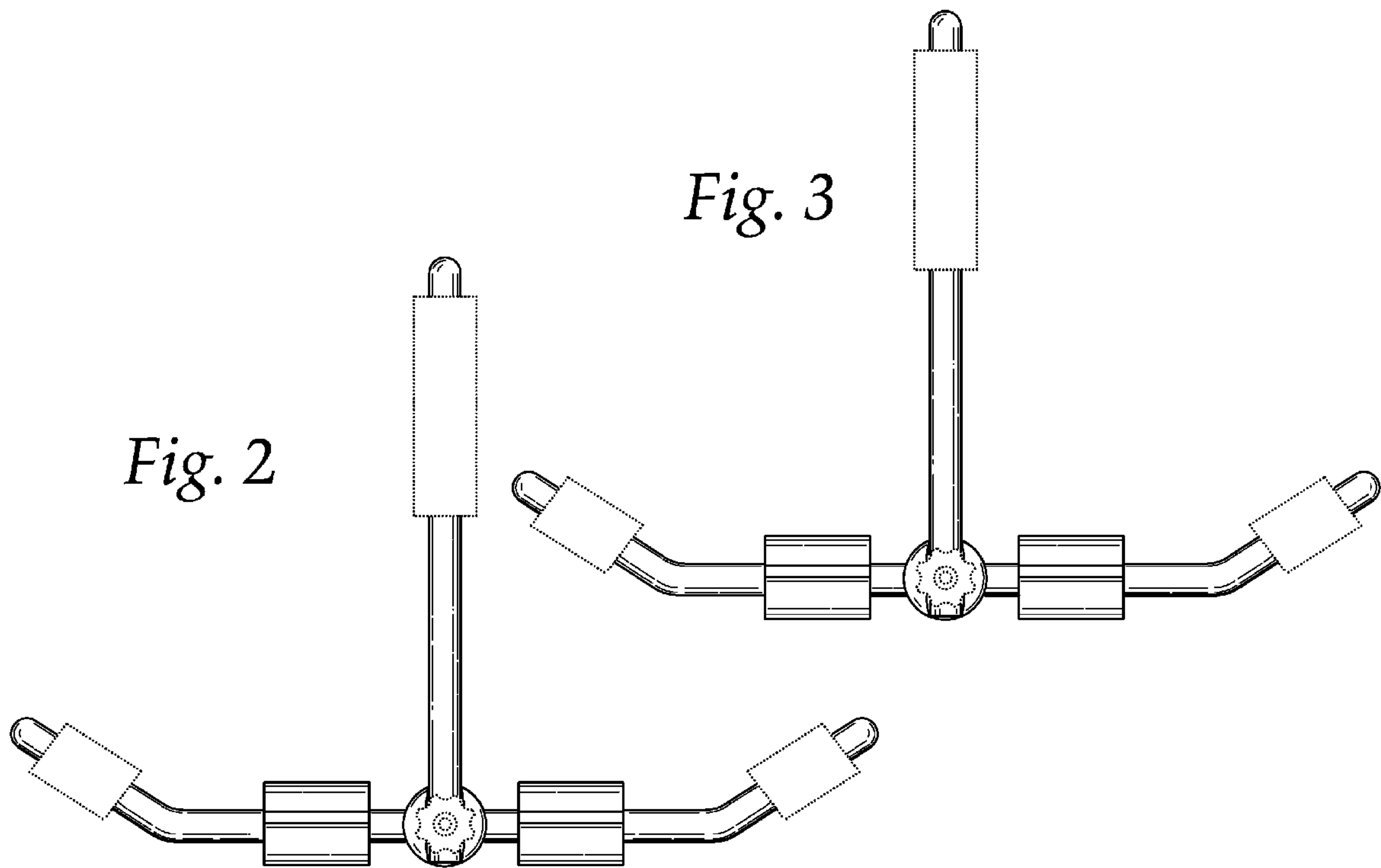


Fig. 1





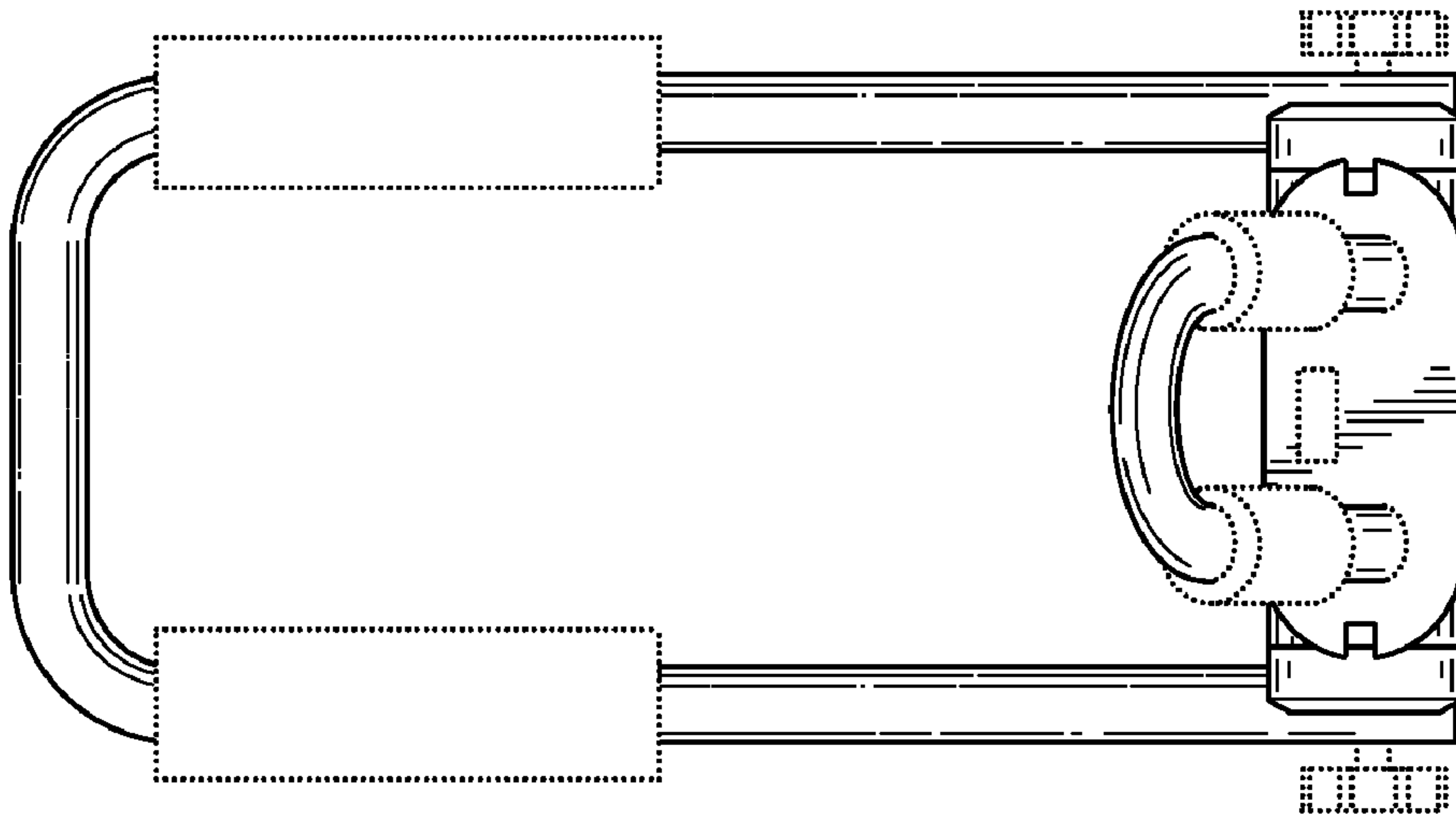


Fig. 5

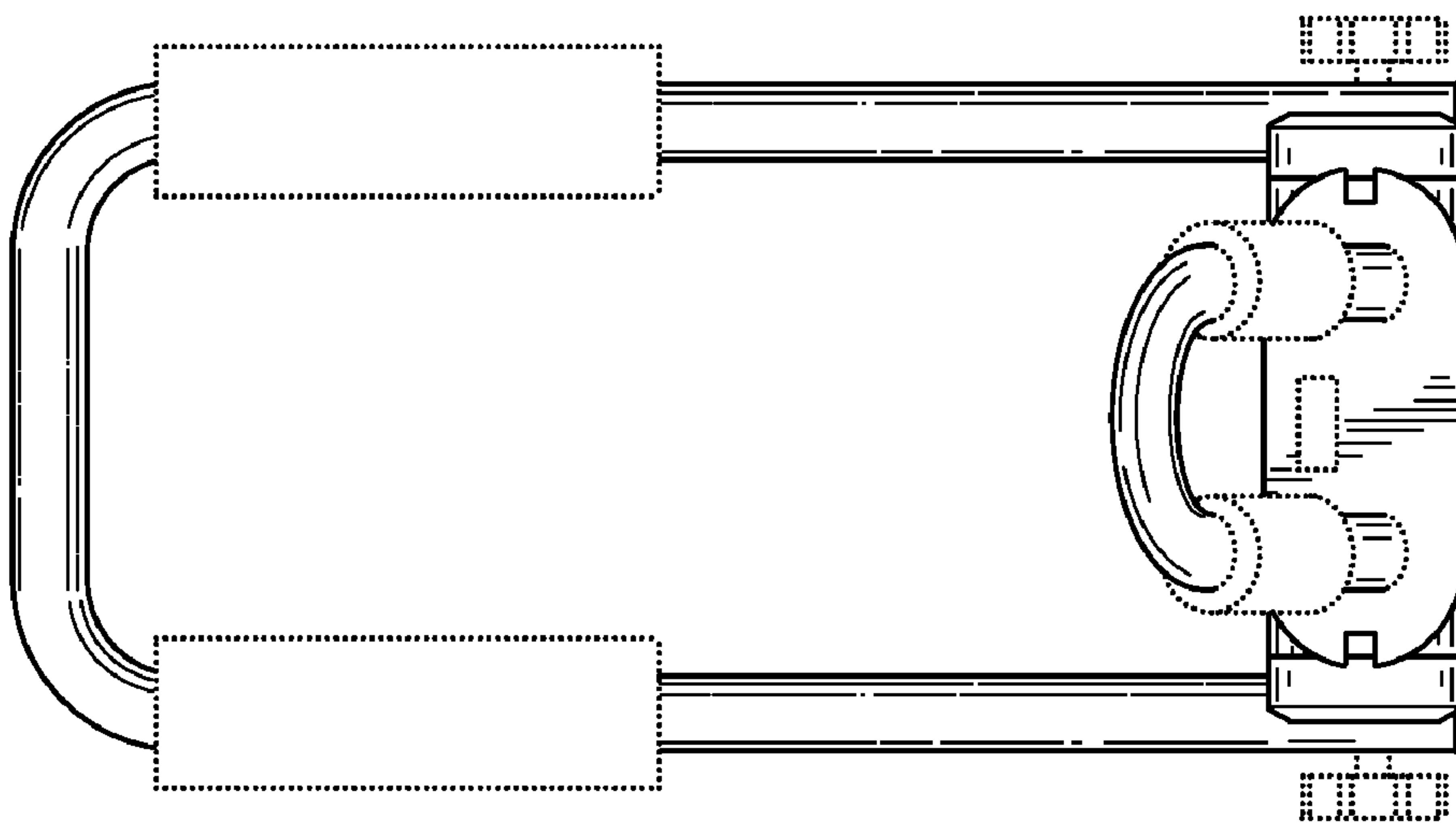


Fig. 4

Fig. 6

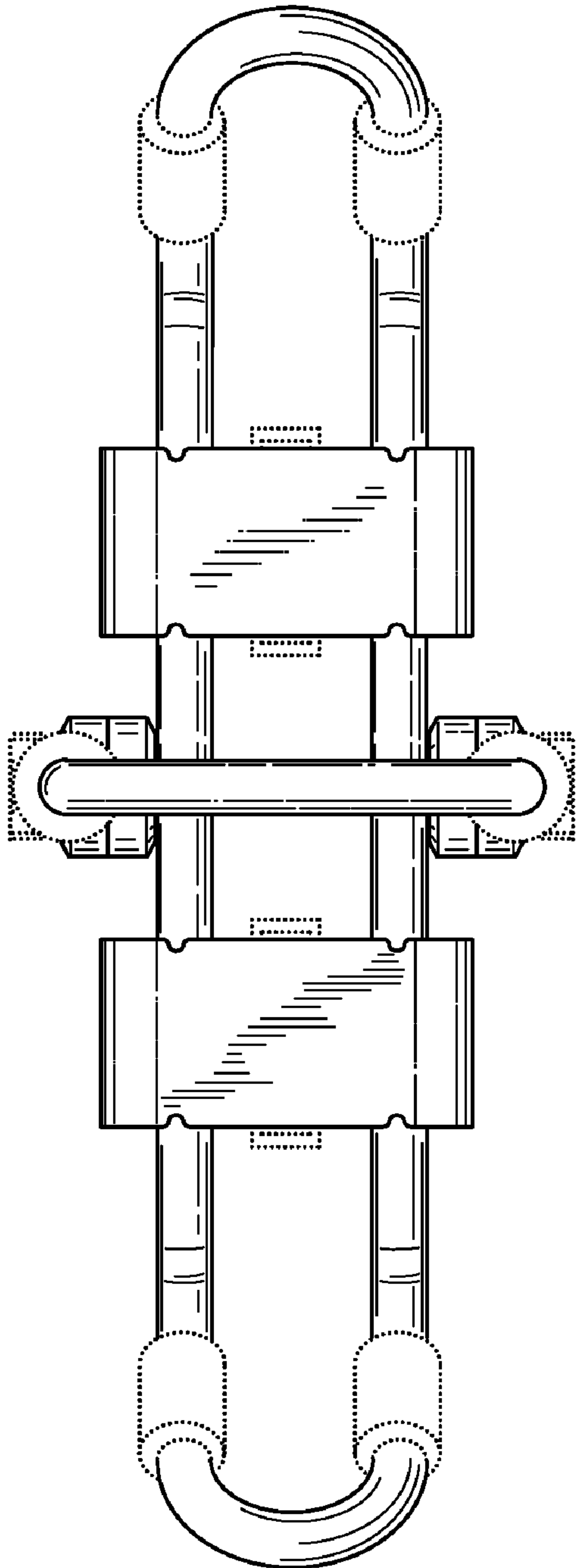


Fig. 7

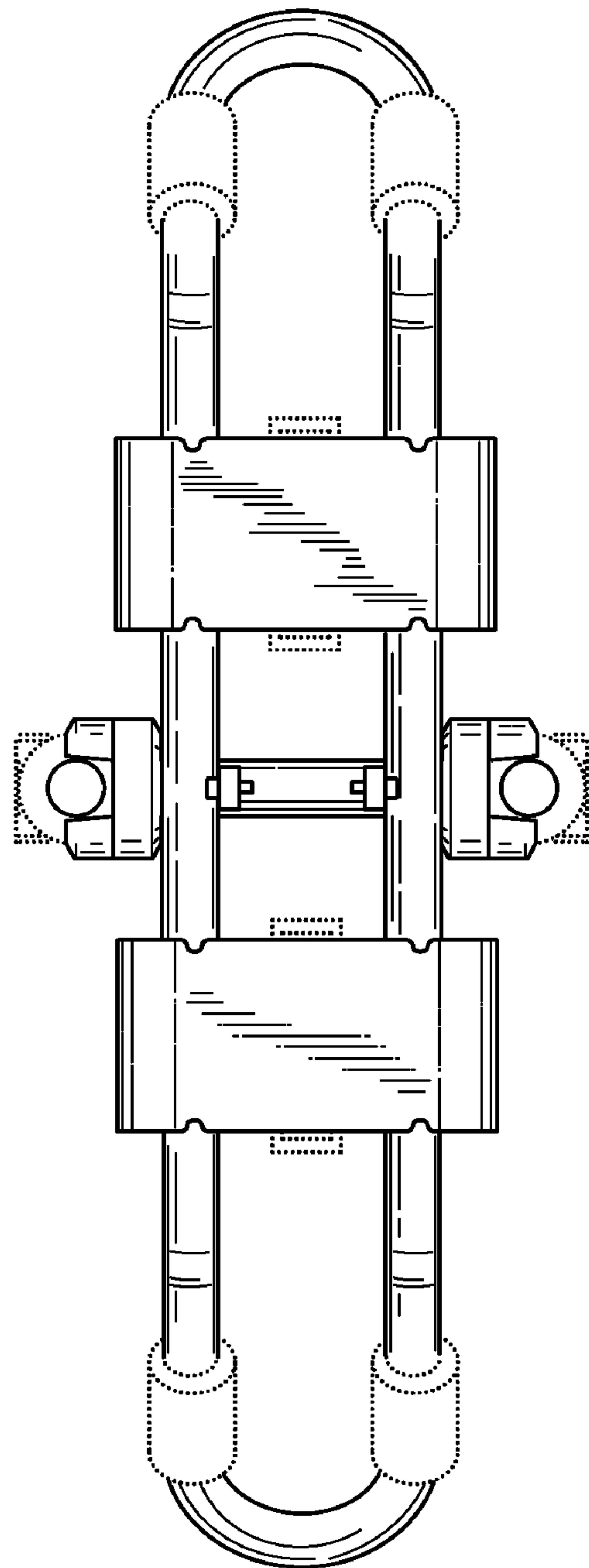


Fig. 8

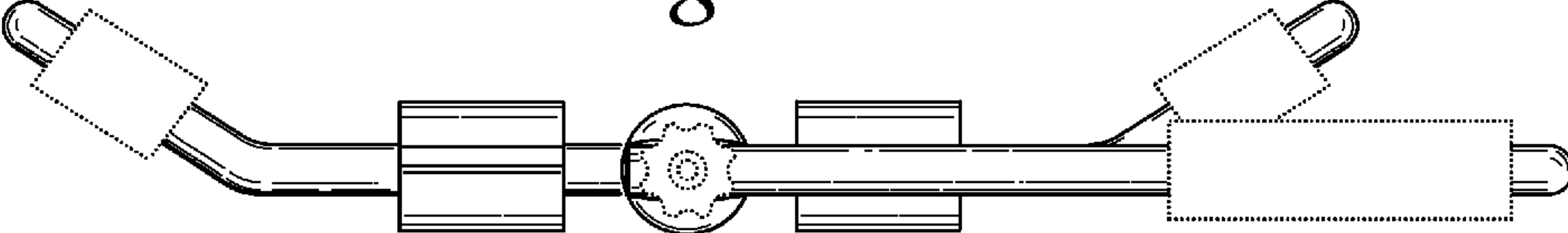


Fig. 9

