



US00D623118S

(12) **United States Design Patent**
Lindloff

(10) **Patent No.:** **US D623,118 S**

(45) **Date of Patent:** **** Sep. 7, 2010**

(54) **MOTORCYCLE DRINK HOLDER**

D600,077 S * 9/2009 Barnes, Jr. D7/620

(75) **Inventor:** **Christopher D. Lindloff**, New
Richmond, WI (US)

(73) **Assignee:** **Kuryakyn Holdings, Inc.**, Somerset, WI
(US)

(**) **Term:** **14 Years**

(21) **Appl. No.:** **29/349,042**

(22) **Filed:** **Mar. 3, 2010**

(51) **LOC (9) Cl.** **12-11**

(52) **U.S. Cl.** **D12/411**

(58) **Field of Classification Search** D12/411,
D12/406, 407, 419, 420, 223, 114, 111, 110;
D7/620, 619.1; 224/400, 926, 430, 412-414,
224/419, 420, 425; 280/202, 288.4; 211/71.01,
211/85.18, 85.29, 74; 248/311.1, 312.1,
248/313; 180/219

See application file for complete search history.

(56) **References Cited**

U.S. PATENT DOCUMENTS

D346,996 S *	5/1994	Blackburn	D12/411
D423,884 S *	5/2000	Greenwood	D7/620
6,059,245 A *	5/2000	Hermansen et al.	248/311.2
6,227,511 B1 *	5/2001	De Costa	248/311.2
D449,814 S *	10/2001	Guertin	D12/411
D461,996 S *	8/2002	Liao	D7/620
D484,087 S *	12/2003	Cheng et al.	D12/420
D526,952 S *	8/2006	Stahel et al.	D12/411

OTHER PUBLICATIONS

2002 Kuryalcyn Catalog —Be Transformed, p. 34 (2 pgs.).
2008 —Metric Kuryakyn Catalog —Accessories for Goldwing, (3
pgs.).

* cited by examiner

Primary Examiner—Susan M Lee

Assistant Examiner—Linda G. Brooks

(74) *Attorney, Agent, or Firm*—Dicke, Billig & Czaja, PLLC

(57) **CLAIM**

The ornamental design for a motorcycle drink holder, as
shown and described.

DESCRIPTION

FIG. 1 is a perspective view of the motorcycle drink holder of
the present invention.

FIG. 2 is a first side elevation view thereof, a second, opposite
side being a mirror image of the first side.

FIG. 3 is a third side elevation view thereof.

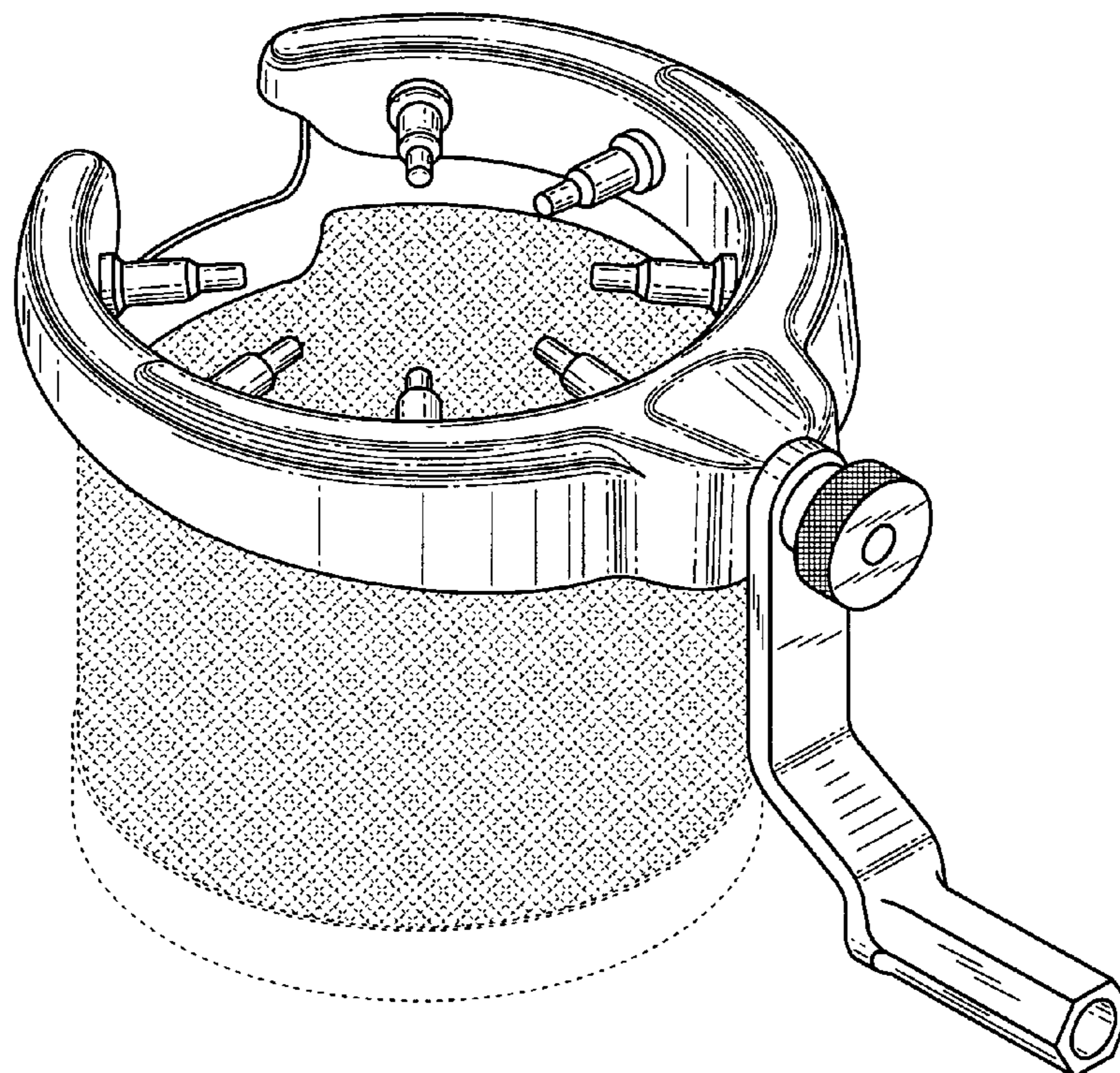
FIG. 4 is a fourth side view thereof, the fourth side being
opposite the third side.

FIG. 5 is a top view thereof; and,

FIG. 6 is a bottom view thereof.

A support basket of the motorcycle drink holder is shown in
broken lines and forms no part of the claimed design.

1 Claim, 4 Drawing Sheets



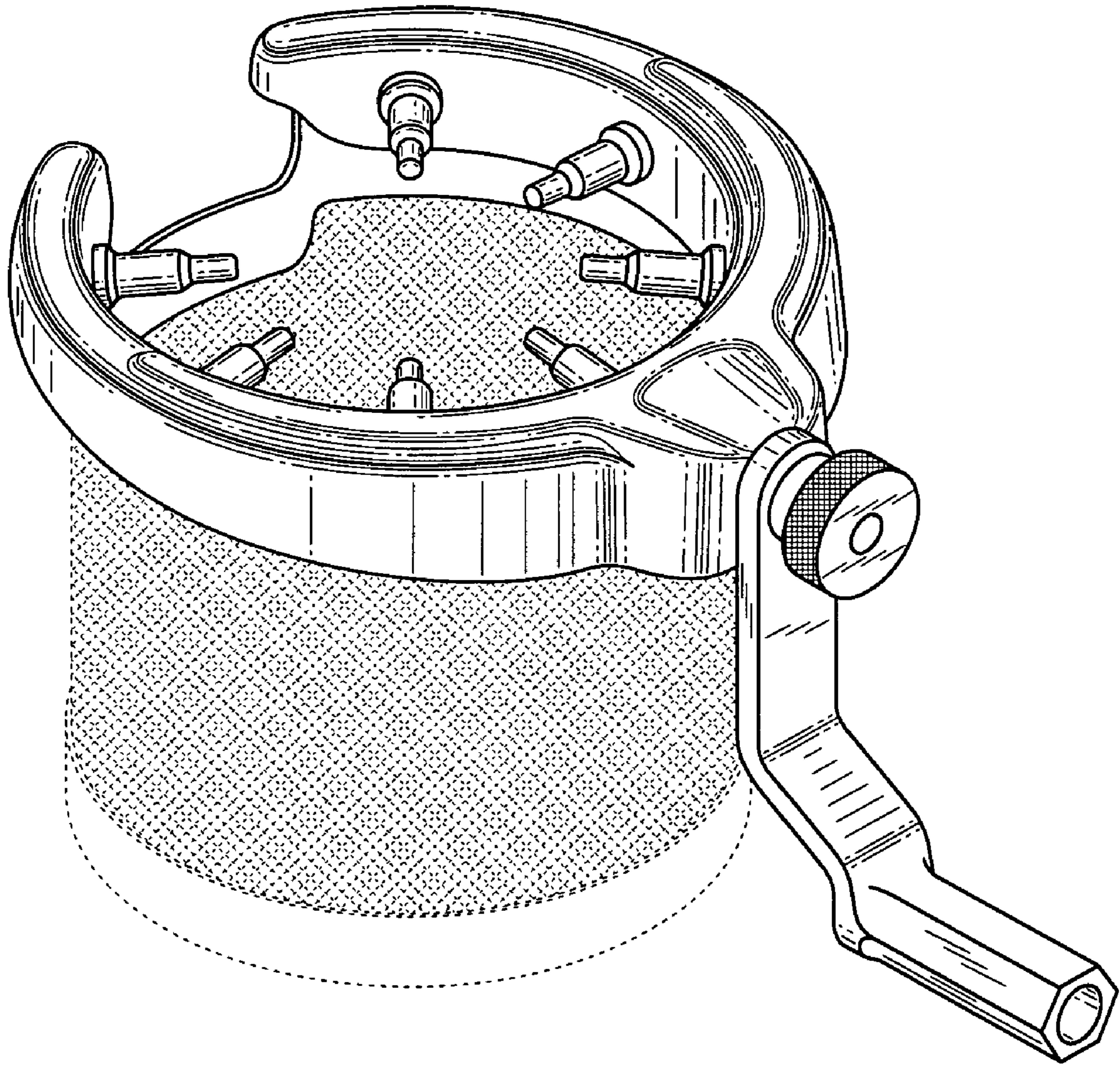


Fig. 1

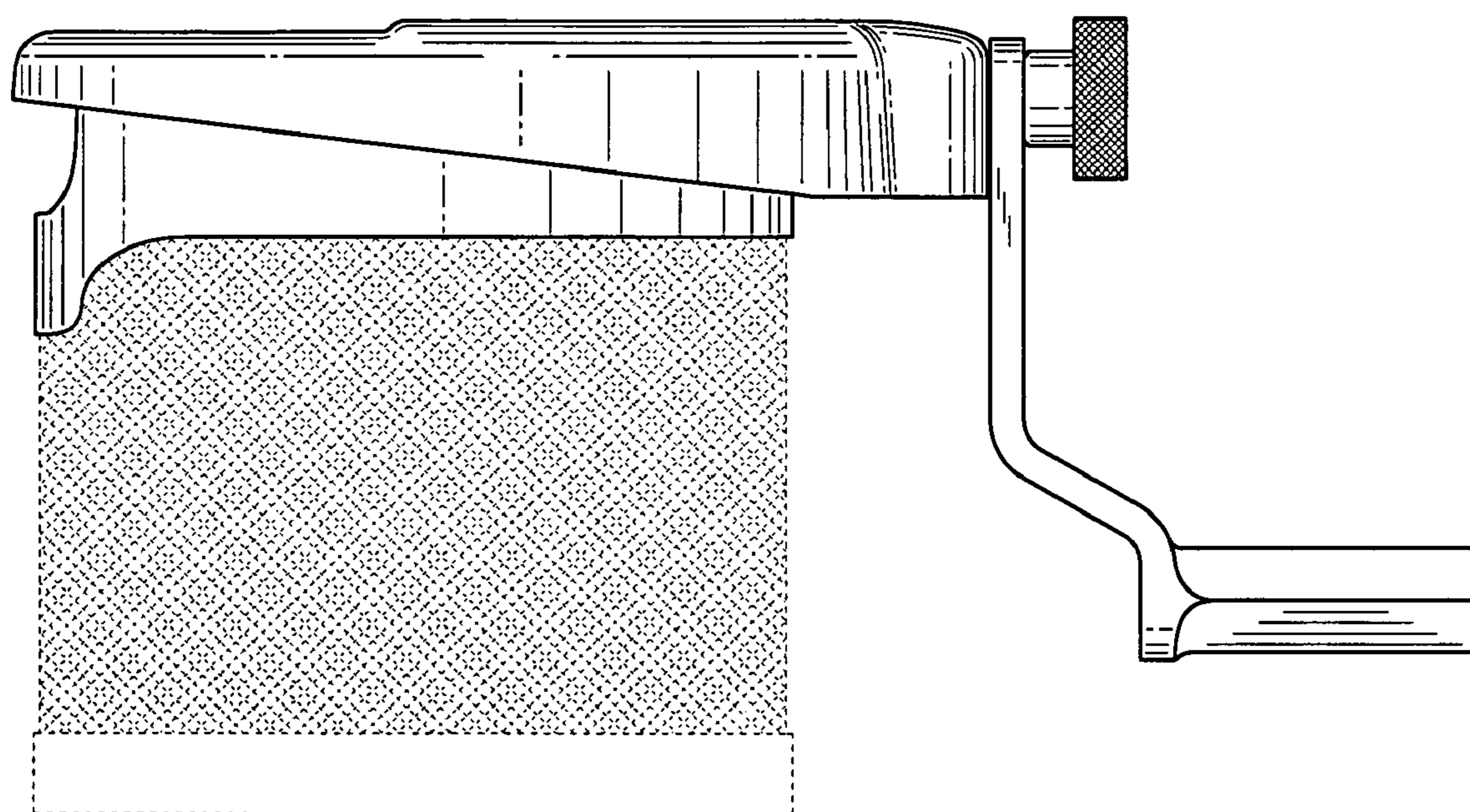


Fig. 2

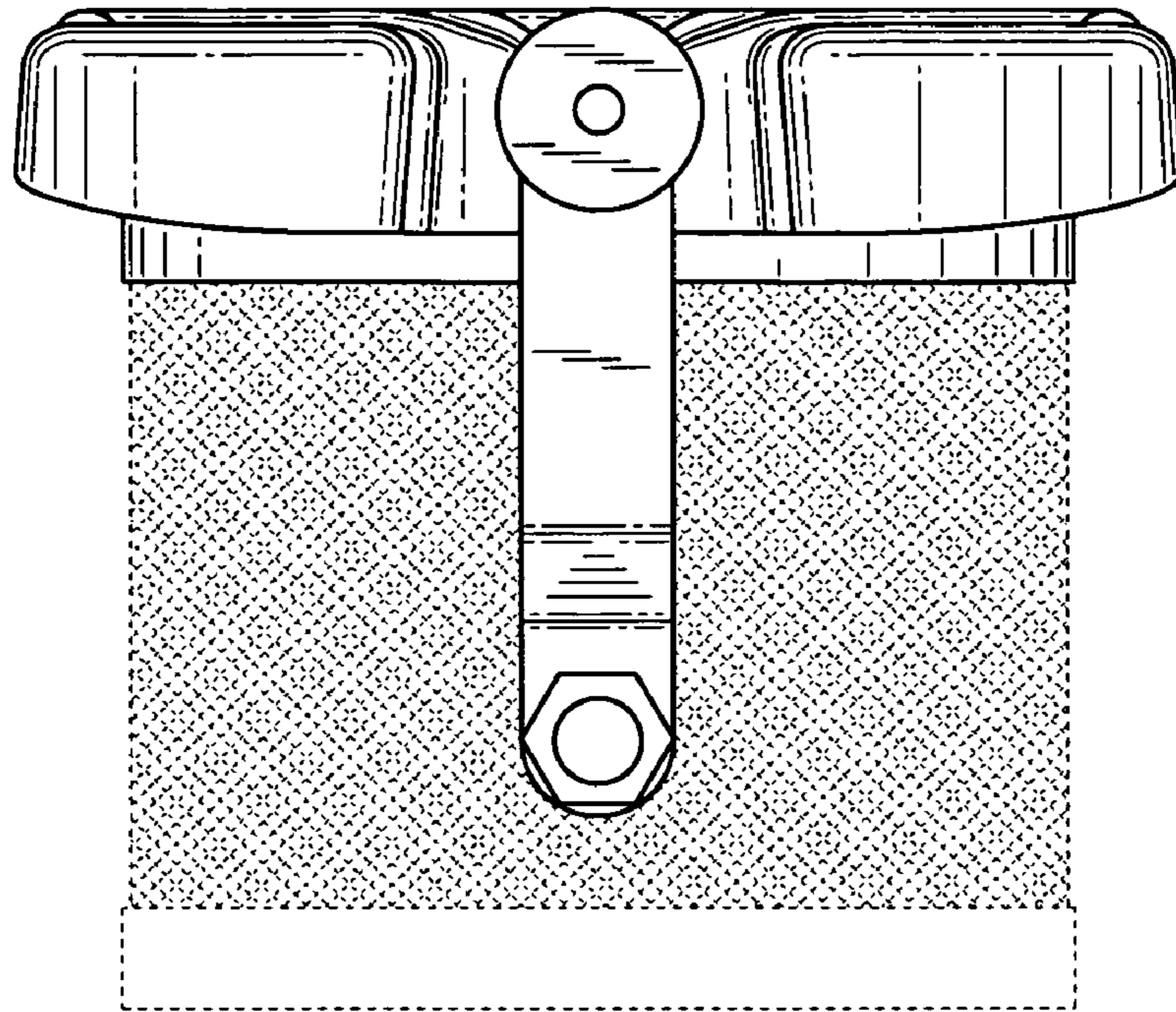


Fig. 3

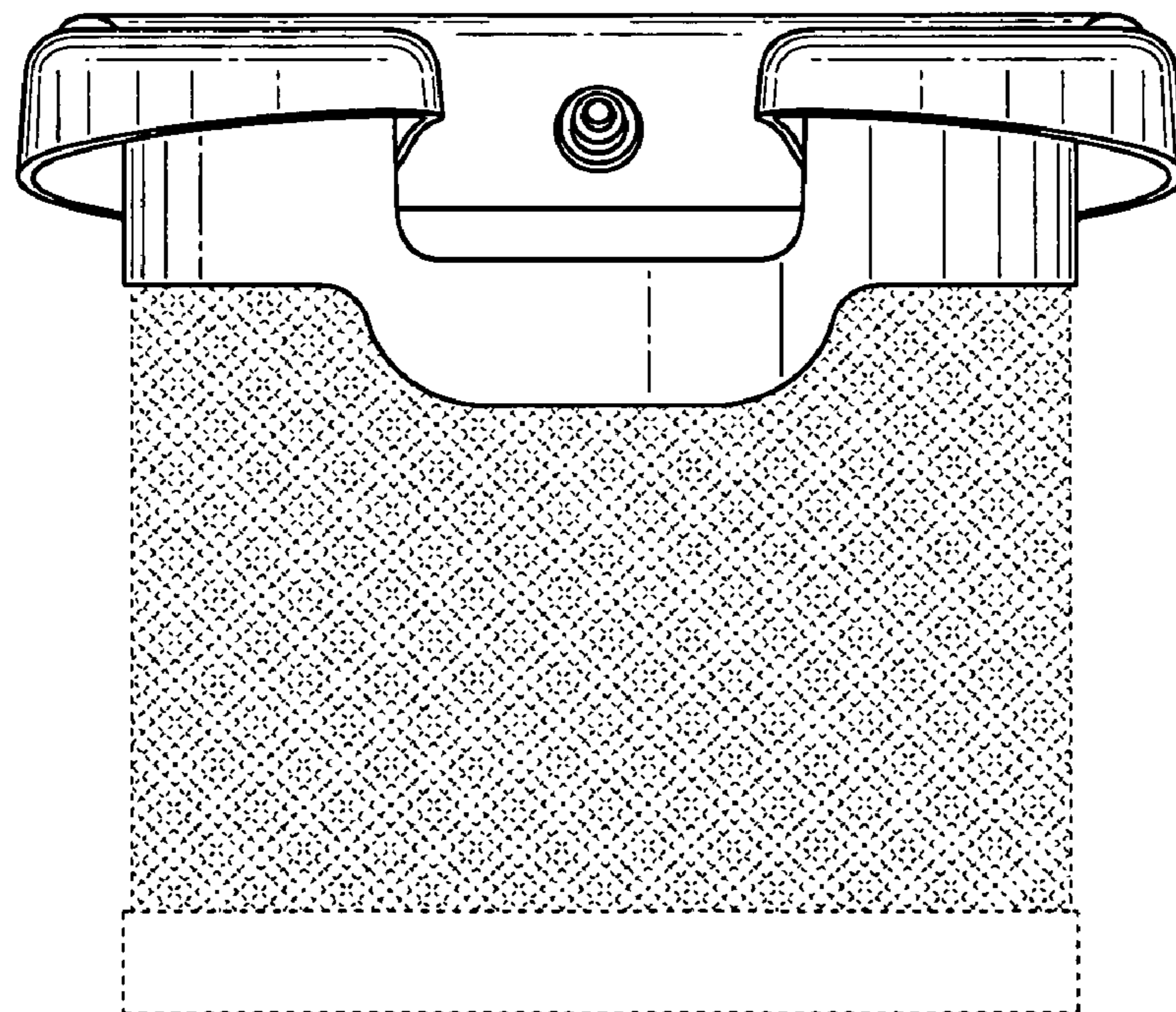


Fig. 4

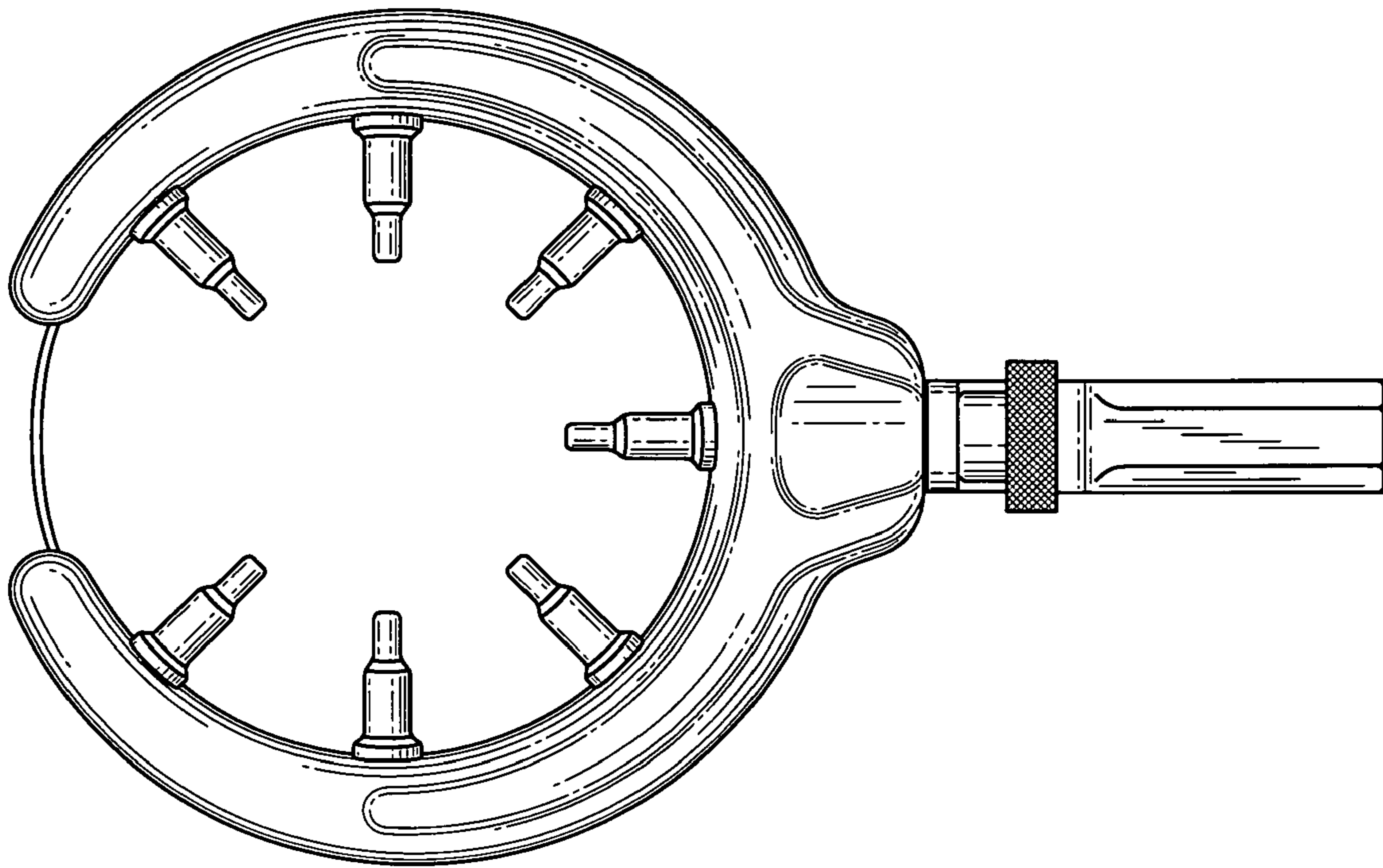


Fig. 5

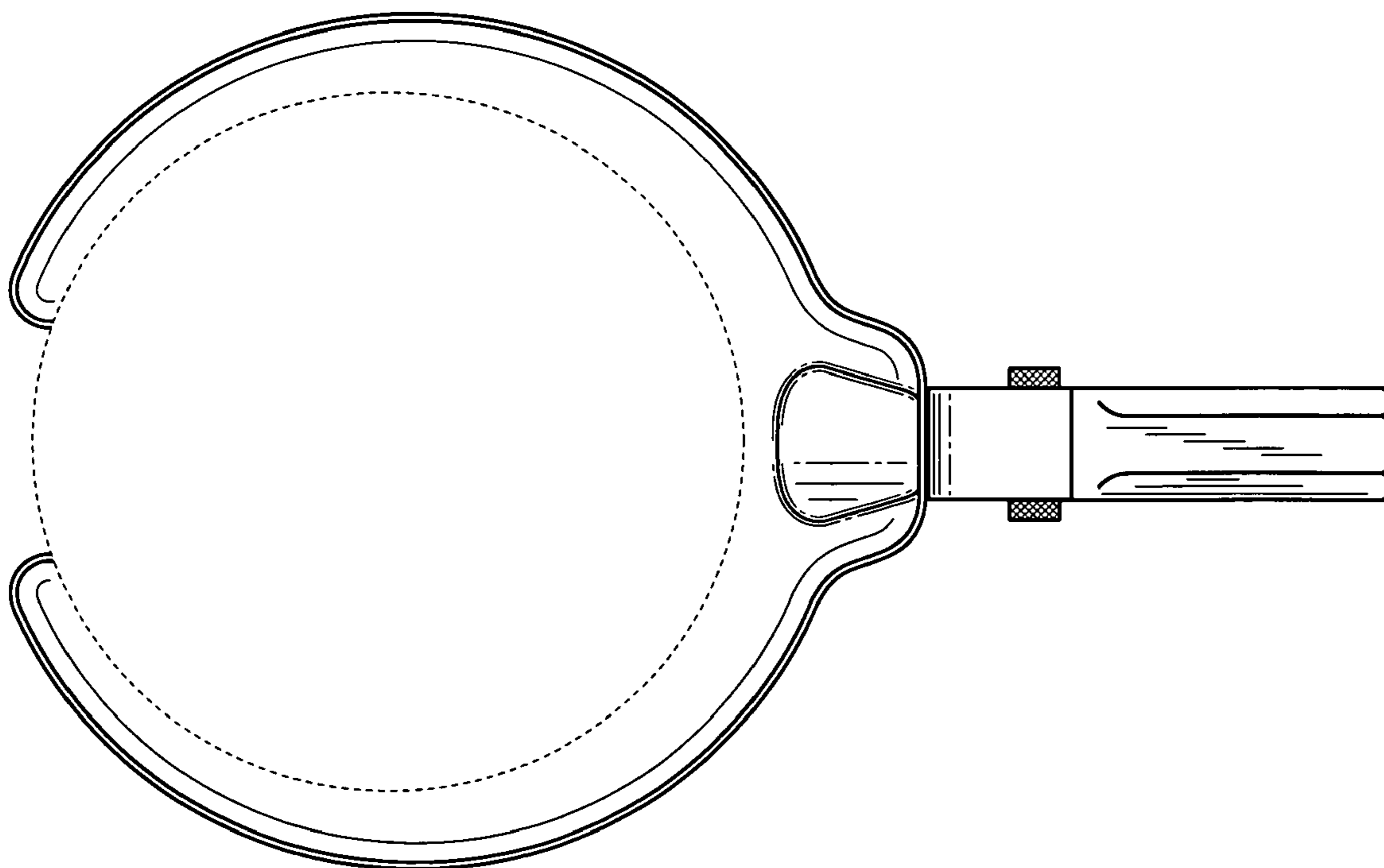


Fig. 6