



US00D623115S

(12) **United States Design Patent**  
**Juergens et al.**

(10) **Patent No.:** **US D623,115 S**  
(45) **Date of Patent:** **\*\* Sep. 7, 2010**

(54) **WHEEL OR WHEEL COVER**

(75) Inventors: **Dirk Juergens**, Munich (DE); **Rainer Mueller**, Munich (DE)

(73) Assignee: **Bayerische Motoren Werke Aktiengesellschaft**, Munich (DE)

(\*\*) Term: **14 Years**

(21) Appl. No.: **29/347,277**

(22) Filed: **Nov. 19, 2009**

(30) **Foreign Application Priority Data**

May 20, 2009 (DE) ..... 402009002602

(51) **LOC (9) Cl.** ..... **12-16**

(52) **U.S. Cl.** ..... **D12/211**

(58) **Field of Classification Search** ..... D12/204-213;  
301/37.101, 64.101, 65, 64.201  
See application file for complete search history.

(56) **References Cited**

U.S. PATENT DOCUMENTS

- D453,134 S \* 1/2002 Murkett et al. .... D12/209
- D486,769 S \* 2/2004 Gallert ..... D12/209
- D506,717 S \* 6/2005 Gallert ..... D12/209
- D516,002 S 2/2006 Fahr-Becker
- D521,438 S 5/2006 Nordmann
- D522,434 S 6/2006 Langer
- D524,220 S \* 7/2006 Scheu ..... D12/211
- D540,238 S 4/2007 Sycha
- D540,240 S 4/2007 Kountouras
- D542,728 S \* 5/2007 Ichinose ..... D12/211
- D550,141 S \* 9/2007 Davidson ..... D12/211

- D558,118 S 12/2007 Hueller
- D590,319 S 4/2009 Juergens et al.
- D590,757 S 4/2009 Froehlich
- D594,397 S \* 6/2009 Laengerer ..... D12/211
- D594,802 S \* 6/2009 Gustafsson ..... D12/211
- D608,713 S \* 1/2010 Bucher et al. .... D12/209

FOREIGN PATENT DOCUMENTS

- EM 000032438-0005 10/2003
- EM 000213335-0007 11/2004
- EM 000380852-0004 10/2005
- EM 000473517-0001 3/2006
- EM 000577945-0003 9/2006
- EM 000660818-0003 3/2007
- EM 000735758-0003 7/2007
- EM 000743372-0003 3/2008
- EM 000825609-0001 11/2009

\* cited by examiner

*Primary Examiner*—Stacia Cadmus

(74) *Attorney, Agent, or Firm*—Crowell & Moring LLP

(57) **CLAIM**

The ornamental design for a wheel or wheel cover, as shown and described.

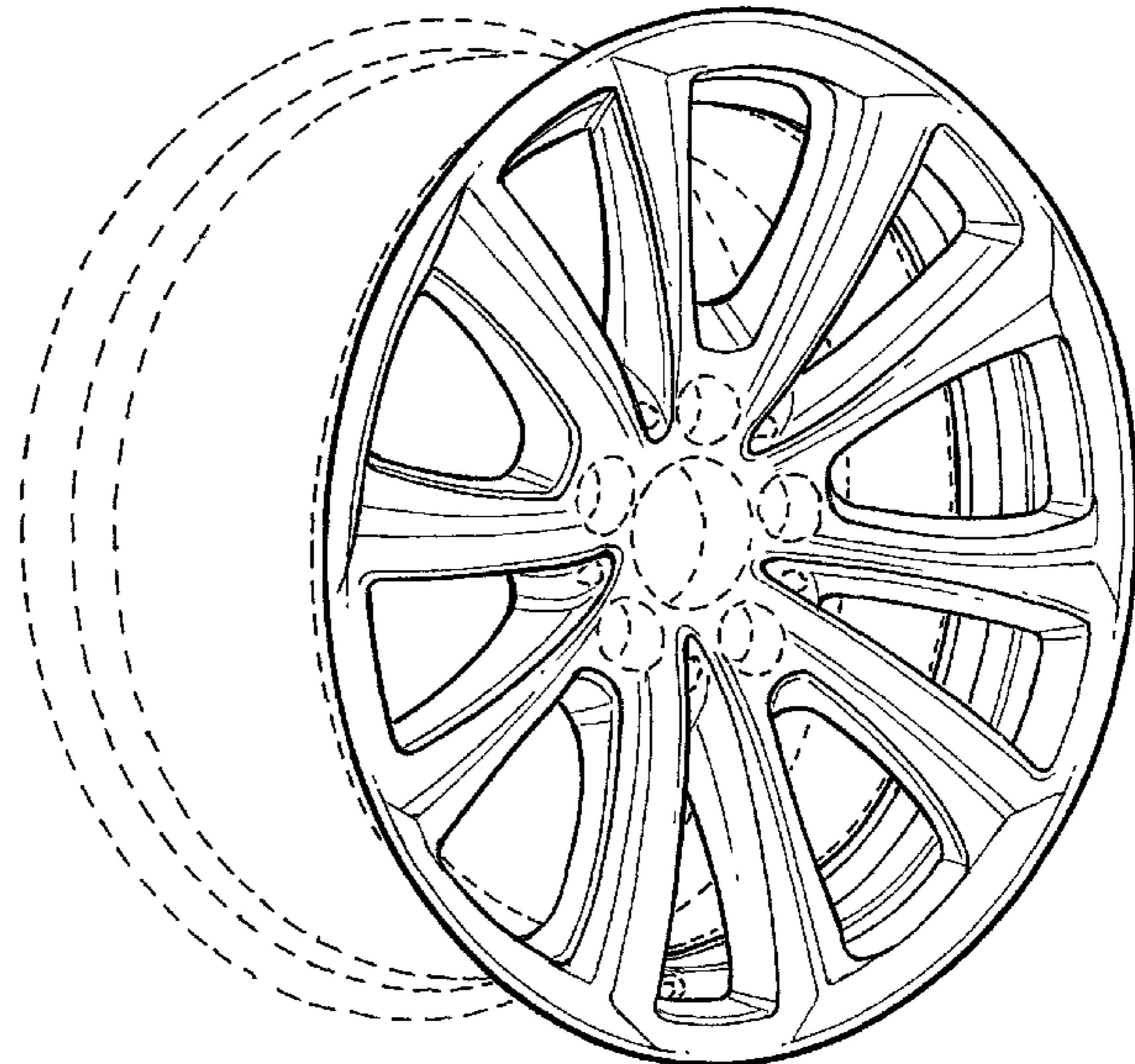
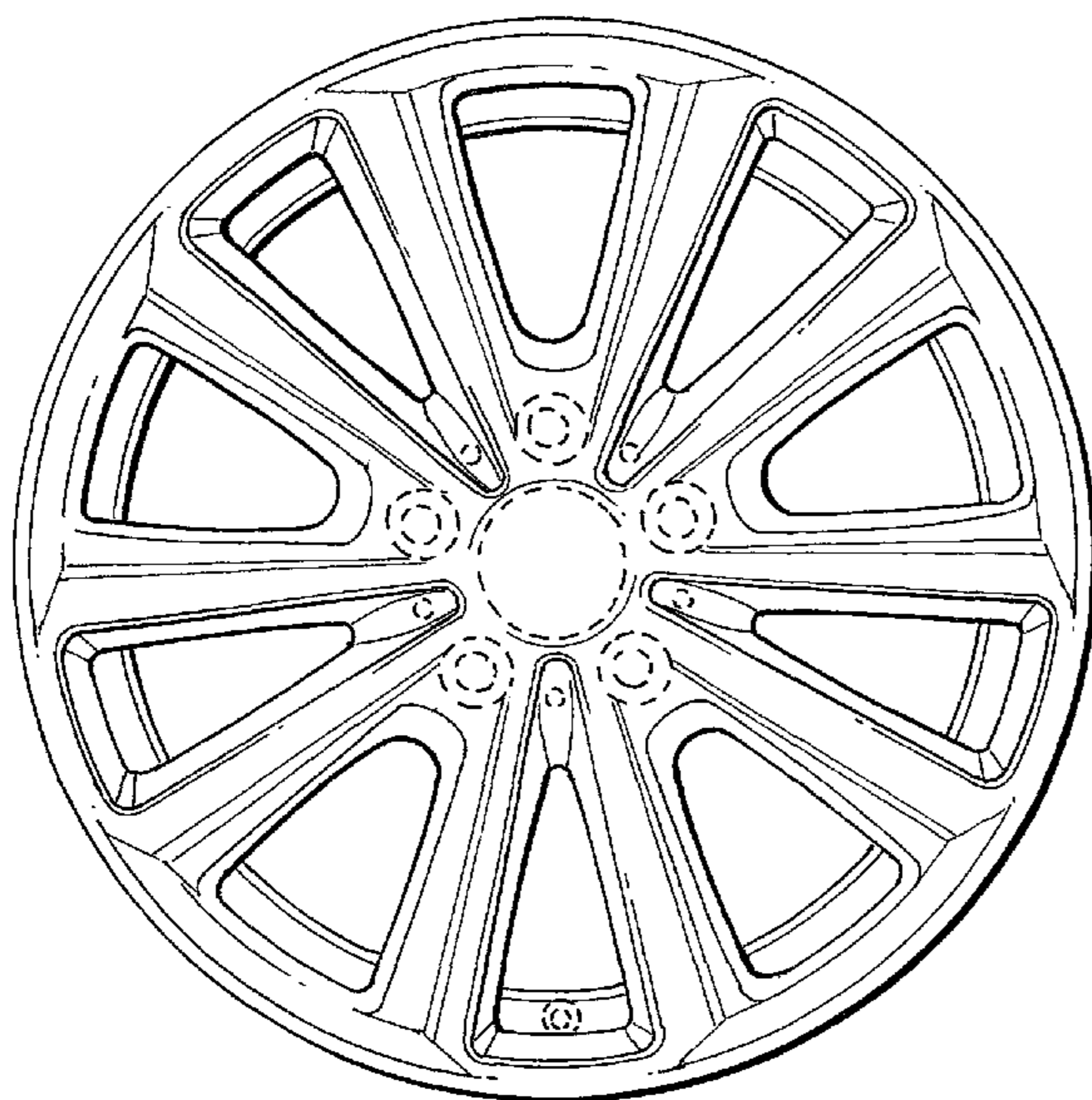
**DESCRIPTION**

FIG. 1 is a front view of a wheel or wheel cover according to our design; and,

FIG. 2 is a perspective view thereof.

The broken line showing of the rear of the rim and the bolt holes and center hole in the central hub area is included for the purpose of illustrating environment and forms no part of the claimed design.

**1 Claim, 1 Drawing Sheet**



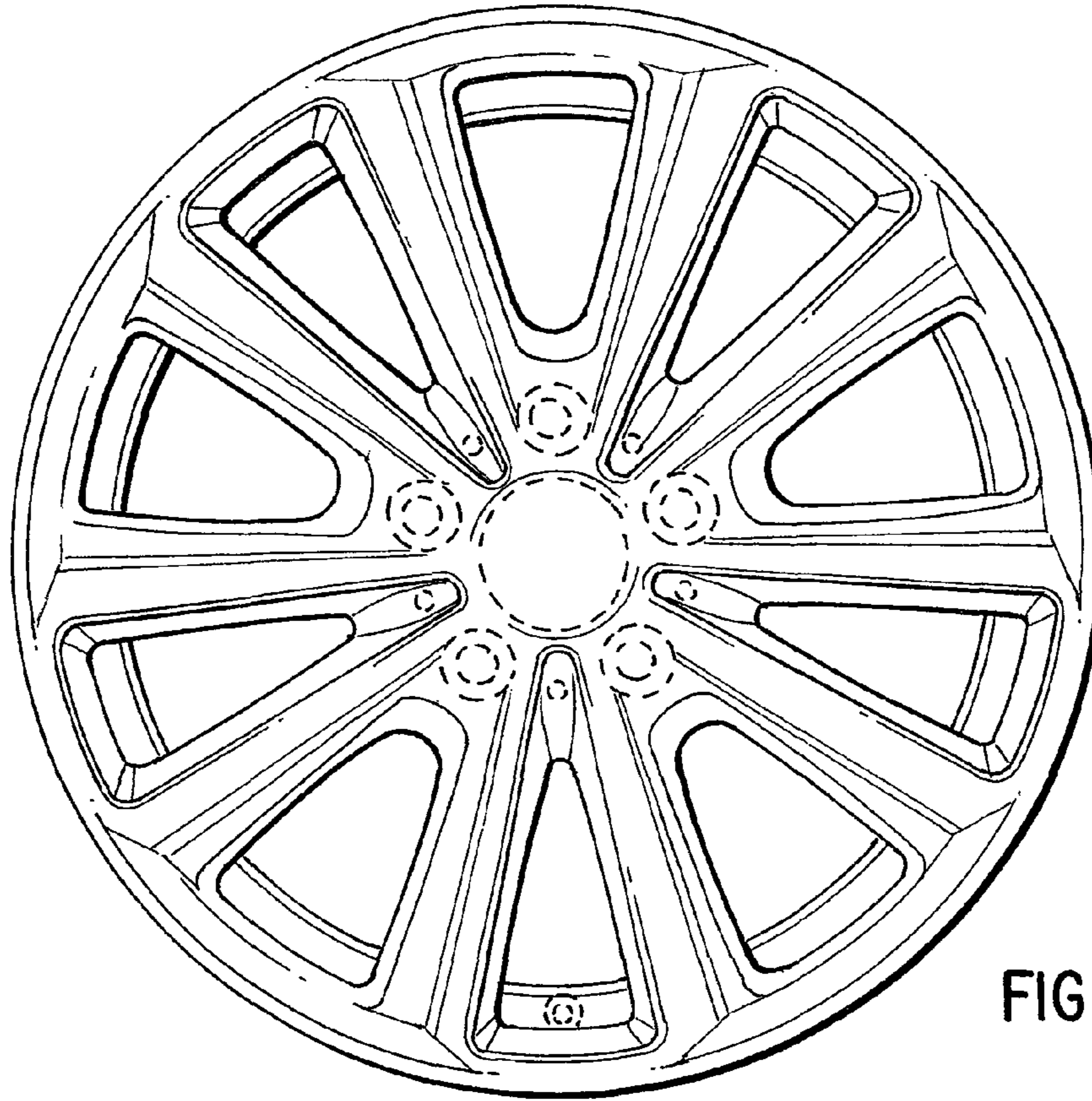


FIG. 1

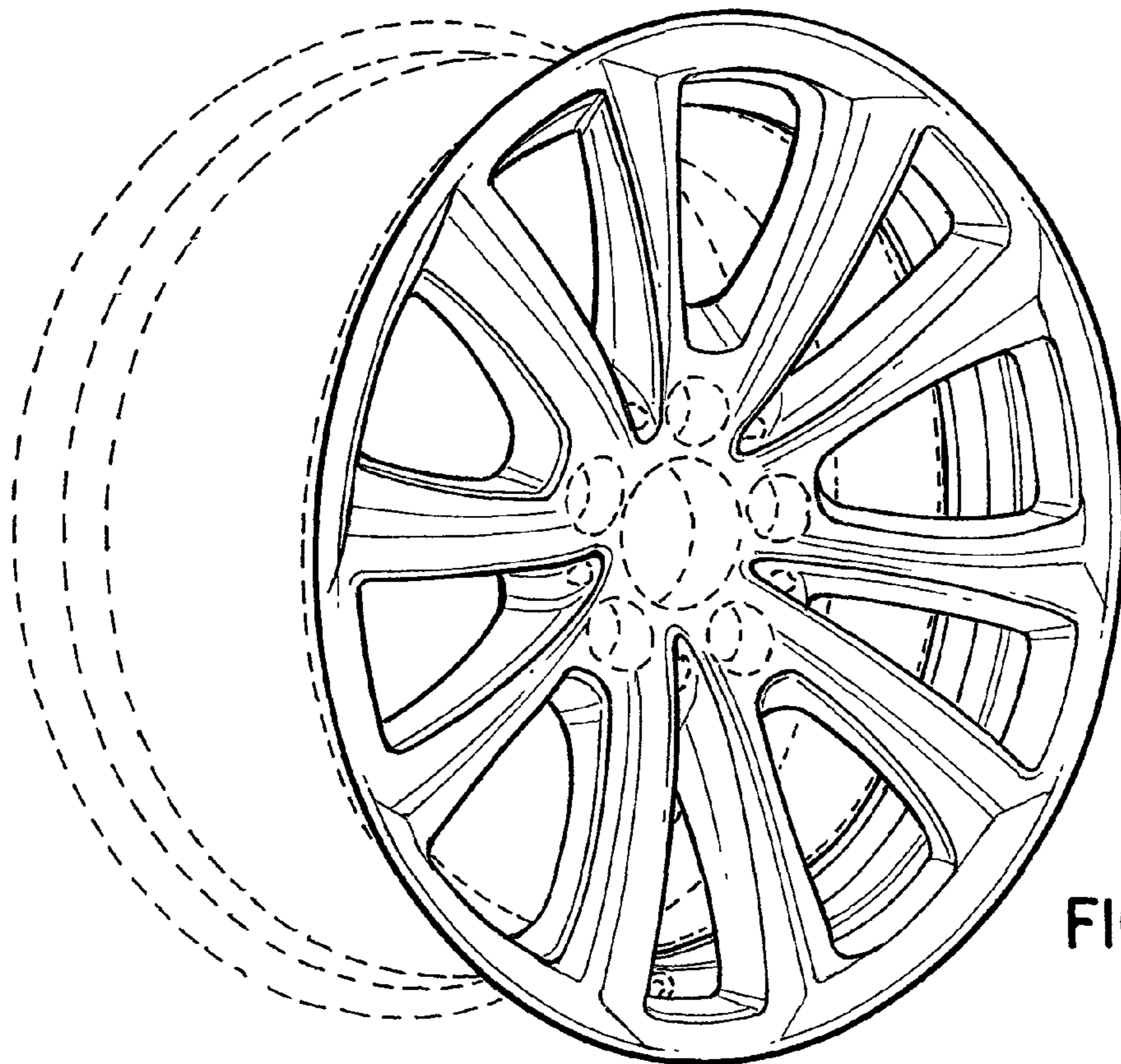


FIG. 2