



US00D623114S

(12) **United States Design Patent**  
**Geisler**

(10) **Patent No.:** **US D623,114 S**

(45) **Date of Patent:** **\*\* Sep. 7, 2010**

(54) **WHEEL OR WHEEL COVER**

(75) Inventor: **Wolfgang Geisler**, Sindelfingen (DE)

(73) Assignee: **Daimler AG**, Stuttgart (DE)

(\*\*) Term: **14 Years**

(21) Appl. No.: **29/311,296**

(22) Filed: **Feb. 10, 2009**

(30) **Foreign Application Priority Data**

Aug. 11, 2008 (EM) ..... 000984745-0009  
Aug. 11, 2008 (EM) ..... 000984745-0010

(51) **LOC (9) Cl.** ..... **12-16**

(52) **U.S. Cl.** ..... **D12/211**

(58) **Field of Classification Search** ..... D12/204-213;  
301/37.101, 64.101, 65, 64.201  
See application file for complete search history.

(56) **References Cited**

**U.S. PATENT DOCUMENTS**

D432,970 S \* 10/2000 Pfeiffer et al. .... D12/209  
D436,569 S \* 1/2001 Brown et al. .... D12/209  
D465,758 S \* 11/2002 Plessing ..... D12/211  
D466,466 S \* 12/2002 Laengerer ..... D12/211  
D468,679 S \* 1/2003 Chun ..... D12/211  
D475,961 S \* 6/2003 Pfeiffer et al. .... D12/211  
D490,040 S \* 5/2004 Foose ..... D12/211  
D500,006 S \* 12/2004 Cahyono ..... D12/211

D508,006 S \* 8/2005 Laengerer ..... D12/209  
D513,219 S \* 12/2005 Sinkwitz ..... D12/209  
D521,921 S \* 5/2006 Hueller ..... D12/209  
D524,219 S \* 7/2006 Scheu ..... D12/211  
D528,956 S \* 9/2006 Kim ..... D12/209  
D582,334 S \* 12/2008 Fournier ..... D12/211  
D585,808 S \* 2/2009 Hetrick ..... D12/211  
D601,075 S \* 9/2009 Szavits ..... D12/211

\* cited by examiner

*Primary Examiner*—Stacia Cadmus

(74) *Attorney, Agent, or Firm*—Crowell & Moring LLP

(57) **CLAIM**

The ornamental design for a wheel or wheel cover, as shown and described.

**DESCRIPTION**

FIG. 1 is a front view of a first embodiment of a wheel or wheel cover according to my novel design; and

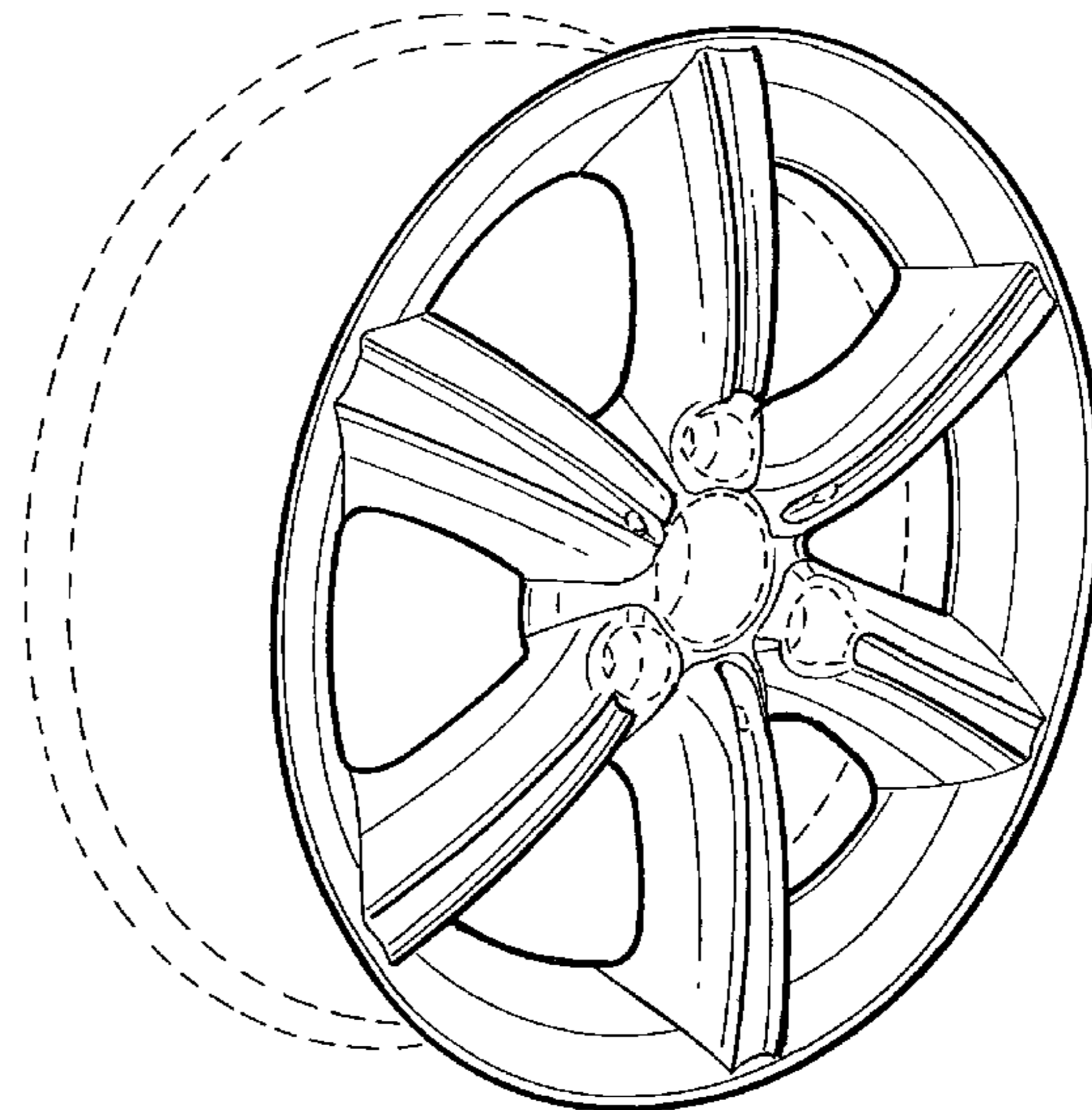
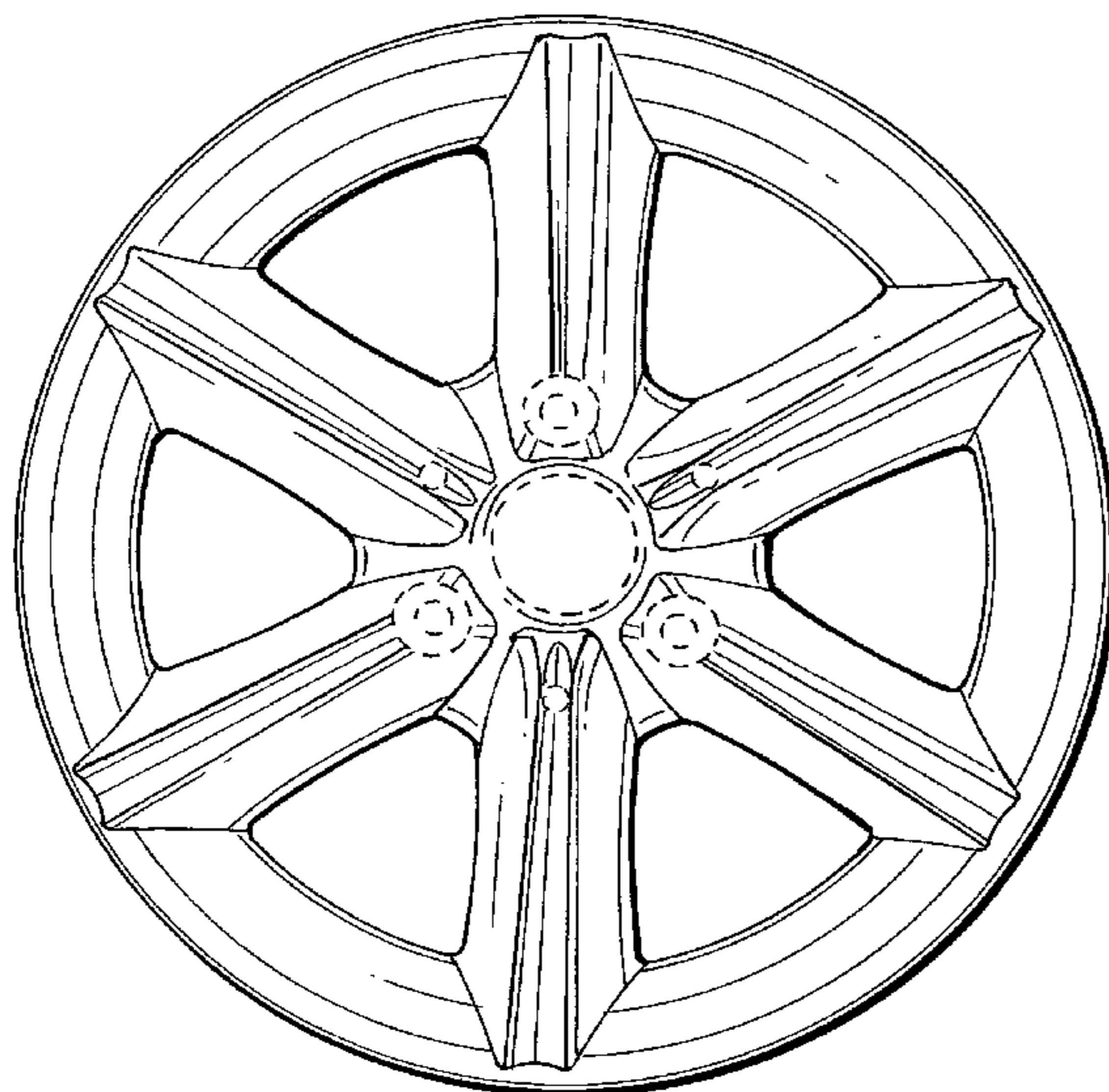
FIG. 2 is a perspective view thereof.

FIG. 3 is a front view of a second embodiment of the wheel or wheel cover according to my novel design; and,

FIG. 4 is a perspective view thereof.

The broken line showing of the rear of the rim and the bolt holes and center hole in the central hub area is included for the purpose of illustrating environment and forms no part of the claimed design.

**1 Claim, 2 Drawing Sheets**



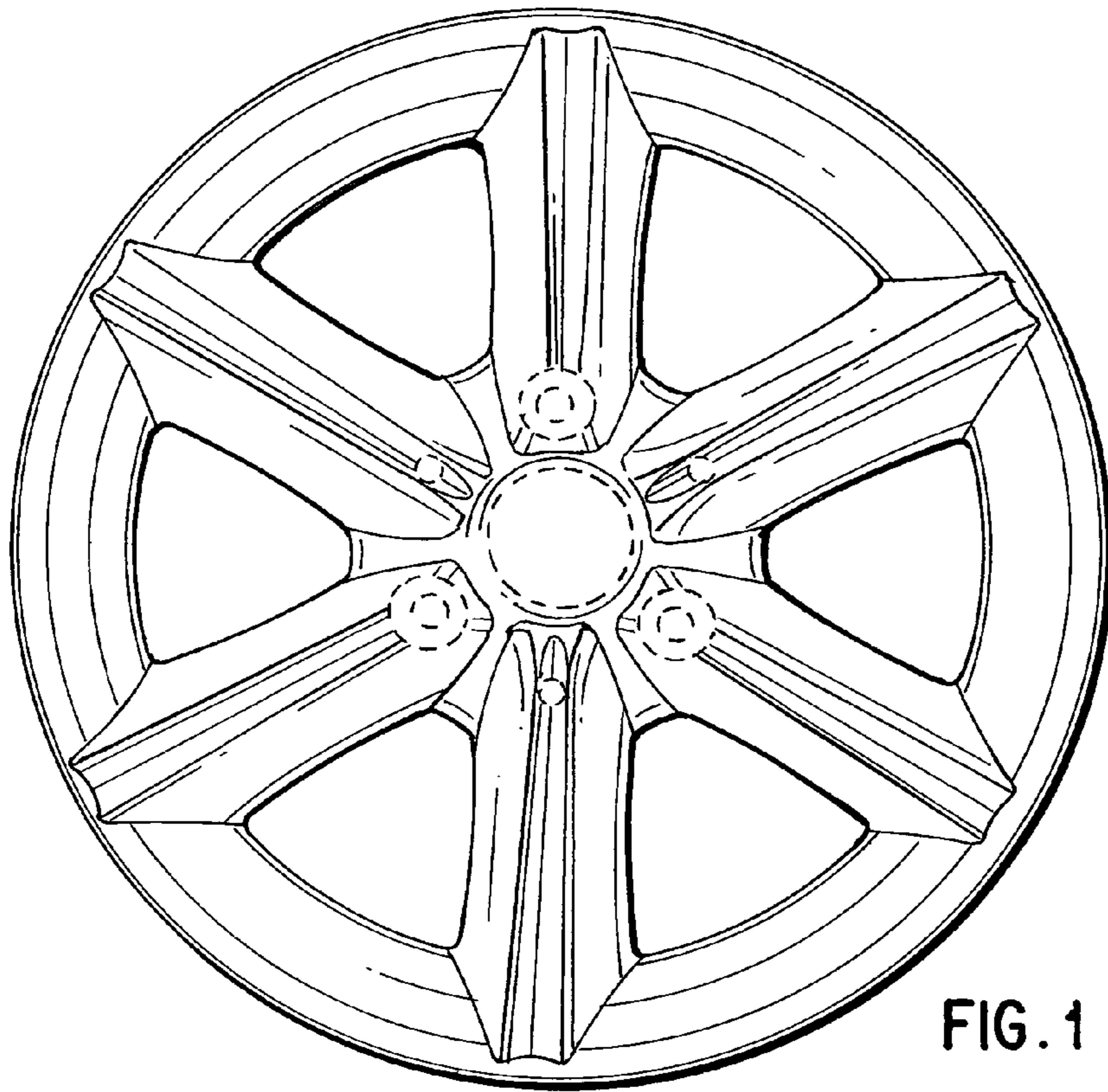


FIG. 1

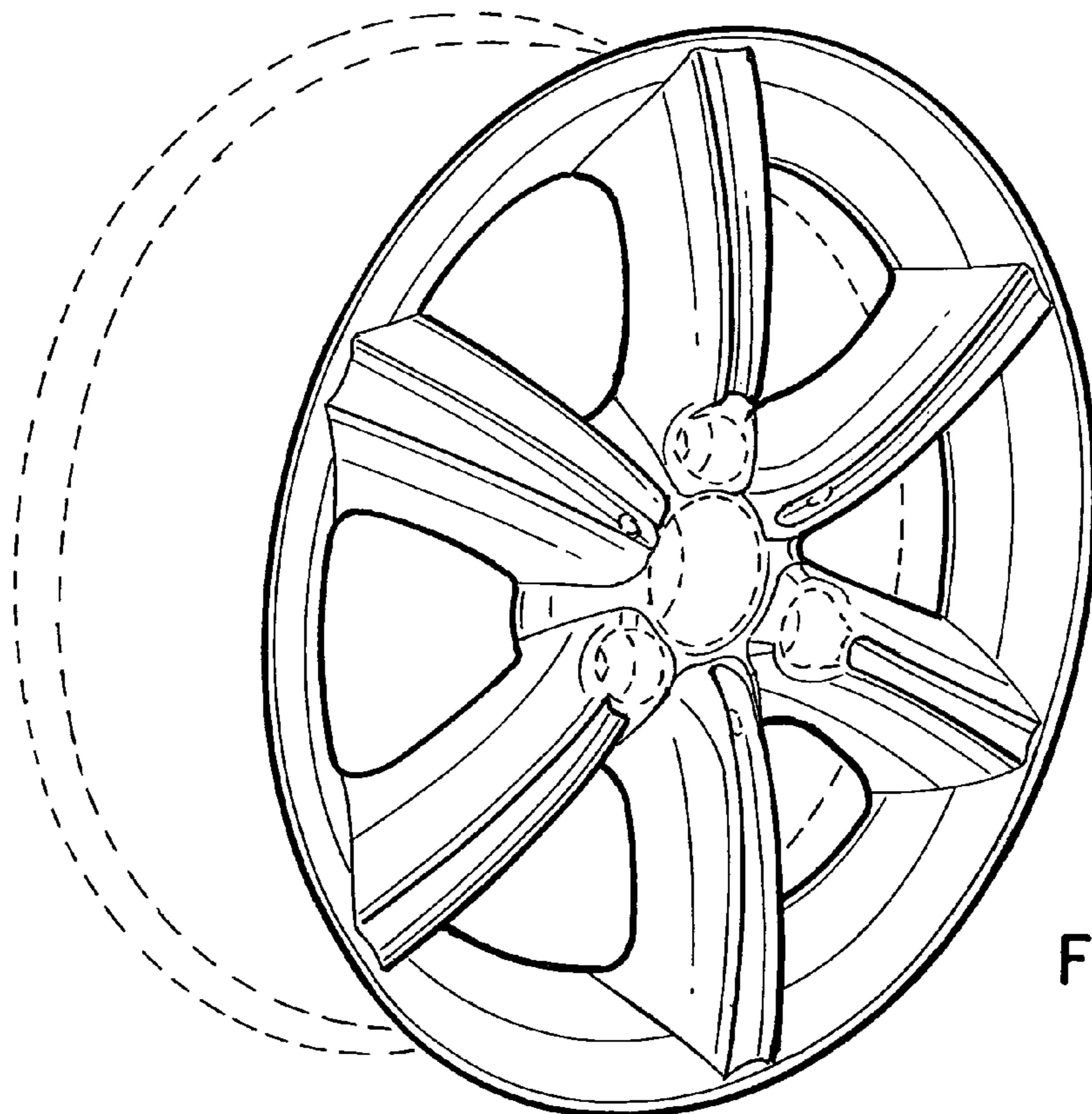


FIG. 2



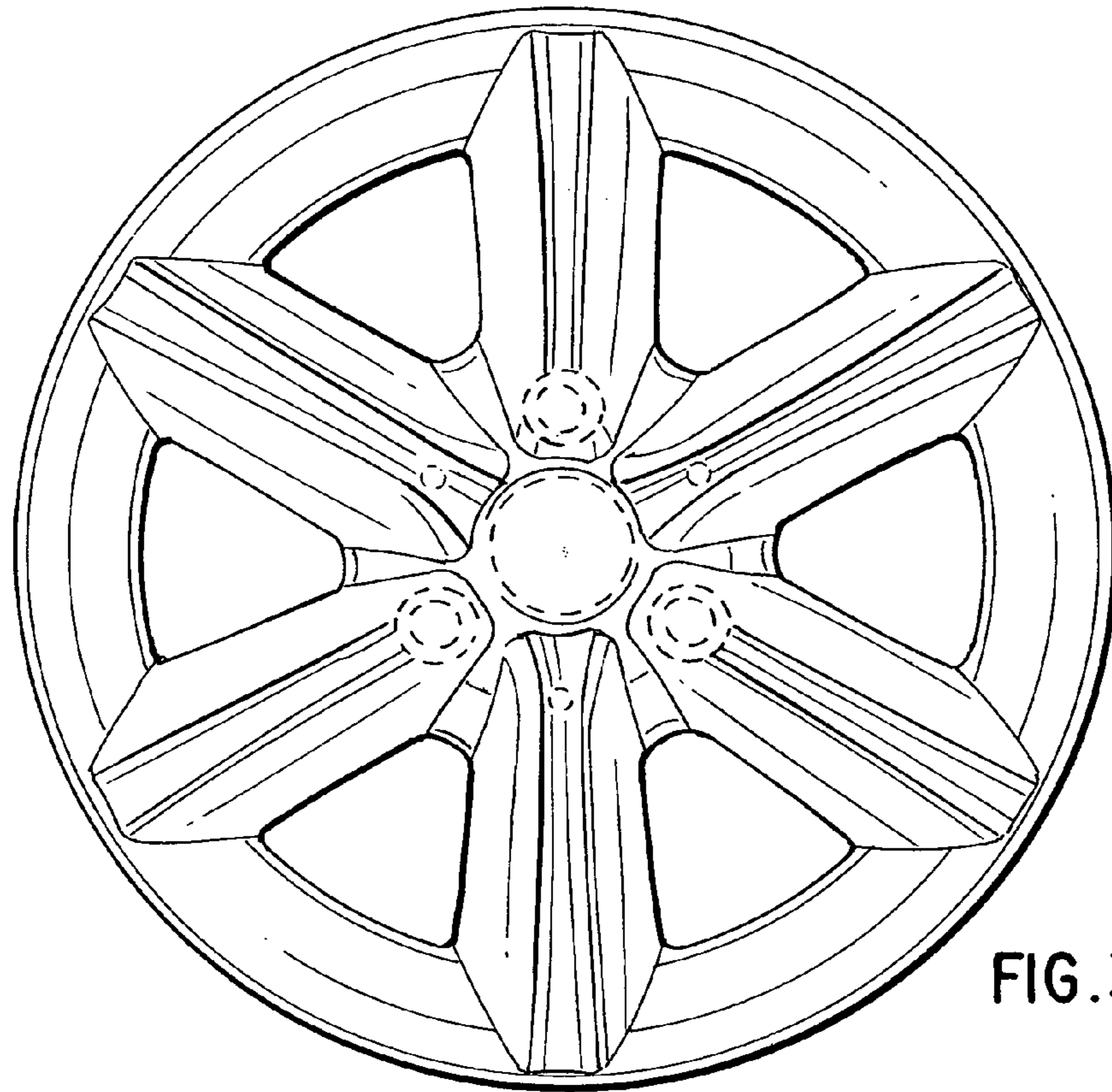


FIG. 3

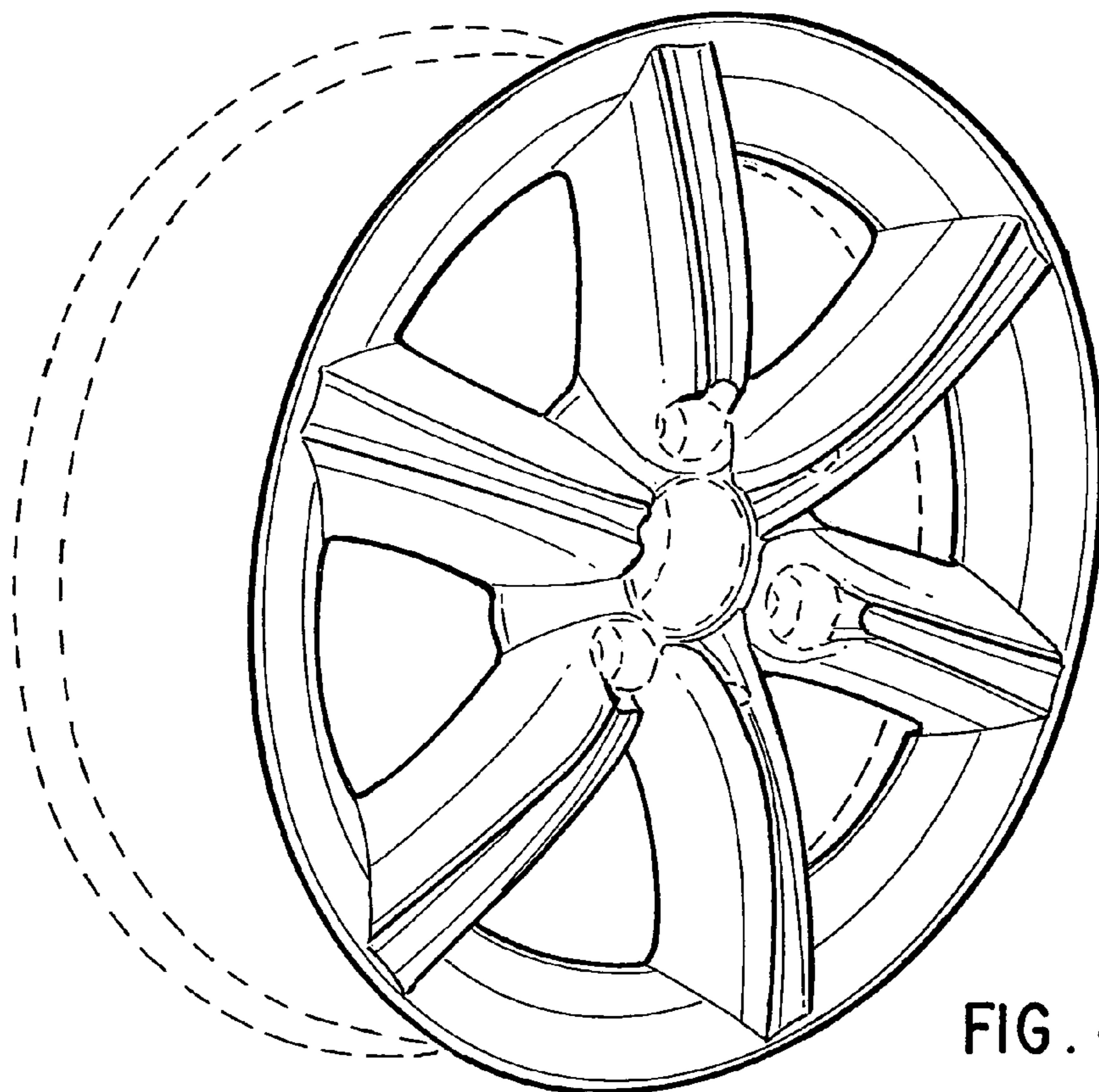


FIG. 4