



US00D623113S

(12) **United States Design Patent**
Geisler

(10) **Patent No.:** **US D623,113 S**

(45) **Date of Patent:** **** Sep. 7, 2010**

(54) **WHEEL OR WHEEL COVER**

(75) Inventor: **Wolfgang Geisler**, Sindelfingen (DE)

(73) Assignee: **Daimler AG**, Stuttgart (DE)

(**) Term: **14 Years**

(21) Appl. No.: **29/311,295**

(22) Filed: **Feb. 10, 2009**

(30) **Foreign Application Priority Data**

Aug. 11, 2008 (EM) 000984745-0007
Aug. 11, 2008 (EM) 000984745-0008

(51) **LOC (9) Cl.** **12-16**

(52) **U.S. Cl.** **D12/211**

(58) **Field of Classification Search** D12/204–213;
301/37.101, 64.101, 65, 64.201
See application file for complete search history.

(56) **References Cited**

U.S. PATENT DOCUMENTS

D367,460 S * 2/1996 Chung D12/209
D384,023 S * 9/1997 Chrysanto D12/209
D389,447 S * 1/1998 Chrysanto D12/209
D399,179 S * 10/1998 Suprihanto D12/209
D400,484 S * 11/1998 Chrysanto D12/209
D418,793 S * 1/2000 Donikoglu D12/209
D510,308 S * 10/2005 Takechi D12/209

D513,219 S * 12/2005 Sinkwitz D12/209
D548,160 S * 8/2007 Viandante D12/209
D550,602 S * 9/2007 Shimokawa et al. D12/209
D573,078 S * 7/2008 Longpre et al. D12/209
D613,657 S * 4/2010 Cortes D12/209

* cited by examiner

Primary Examiner—Stacia Cadmus

(74) *Attorney, Agent, or Firm*—Crowell & Moring LLP

(57) **CLAIM**

The ornamental design for a wheel or wheel cover, as shown and described.

DESCRIPTION

This application is related to co-pending U.S. application Ser. No. 29/311,294, entitled “Wheel or Wheel Cover”.

FIG. 1 is a front view of a first embodiment of a wheel or wheel cover according to my novel design; and

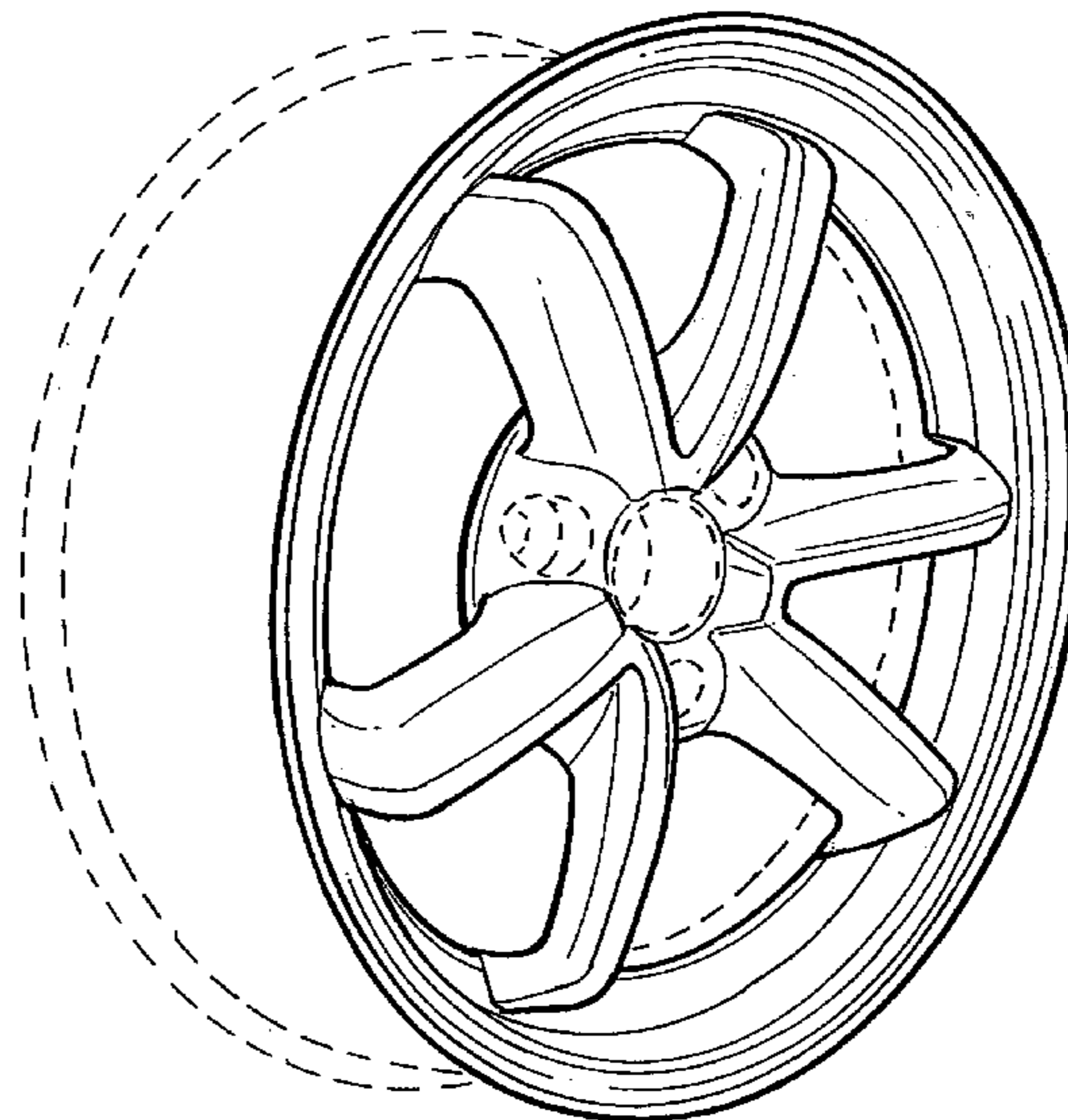
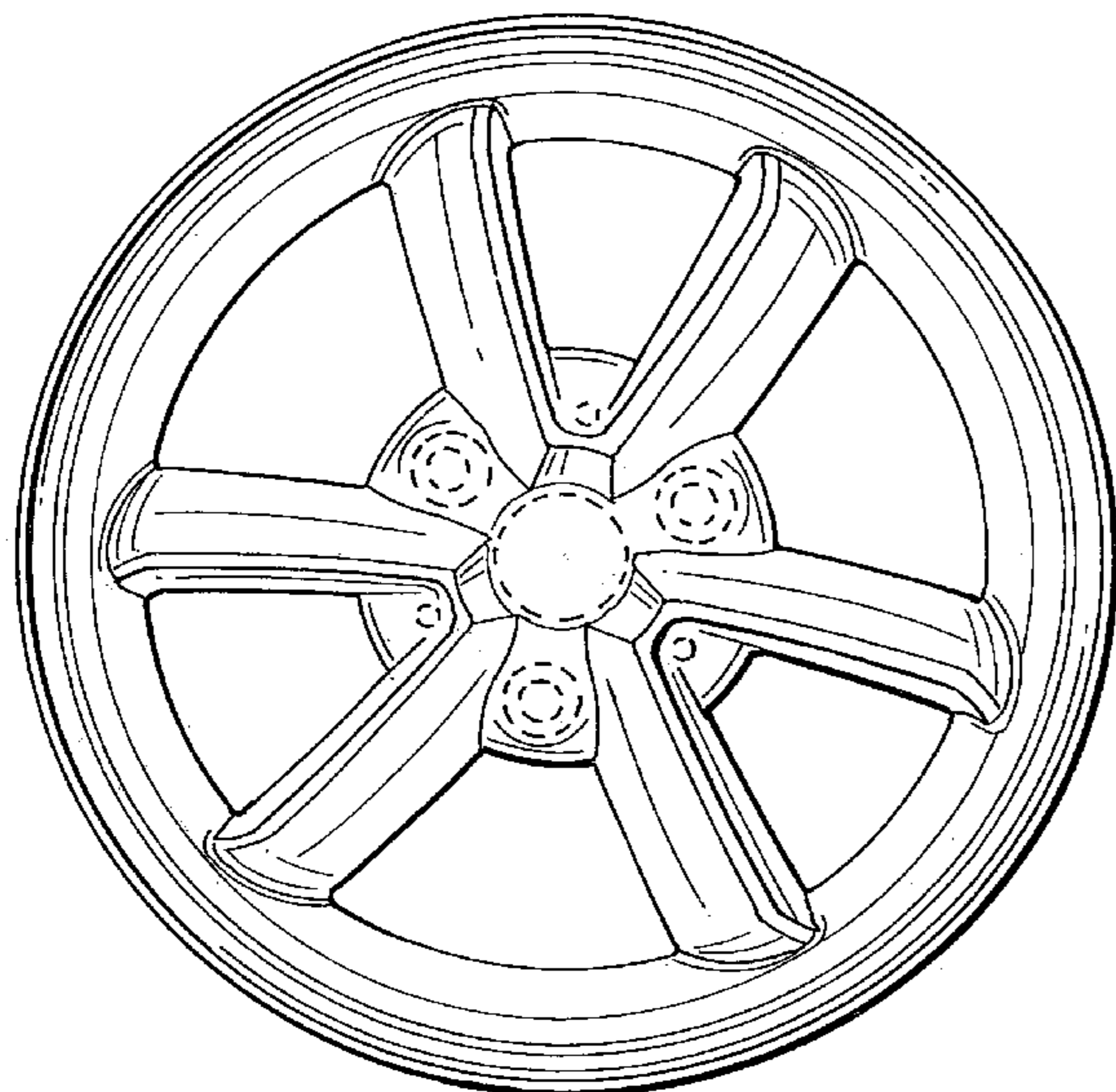
FIG. 2 is a perspective view thereof.

FIG. 3 is a front view of a second embodiment of the wheel or wheel cover according to my novel design; and,

FIG. 4 is a perspective view thereof.

The broken line showing of the rear of the rim and the bolt holes and center hole in the central hub area is included for the purpose of illustrating environment and forms no part of the claimed design.

1 Claim, 2 Drawing Sheets



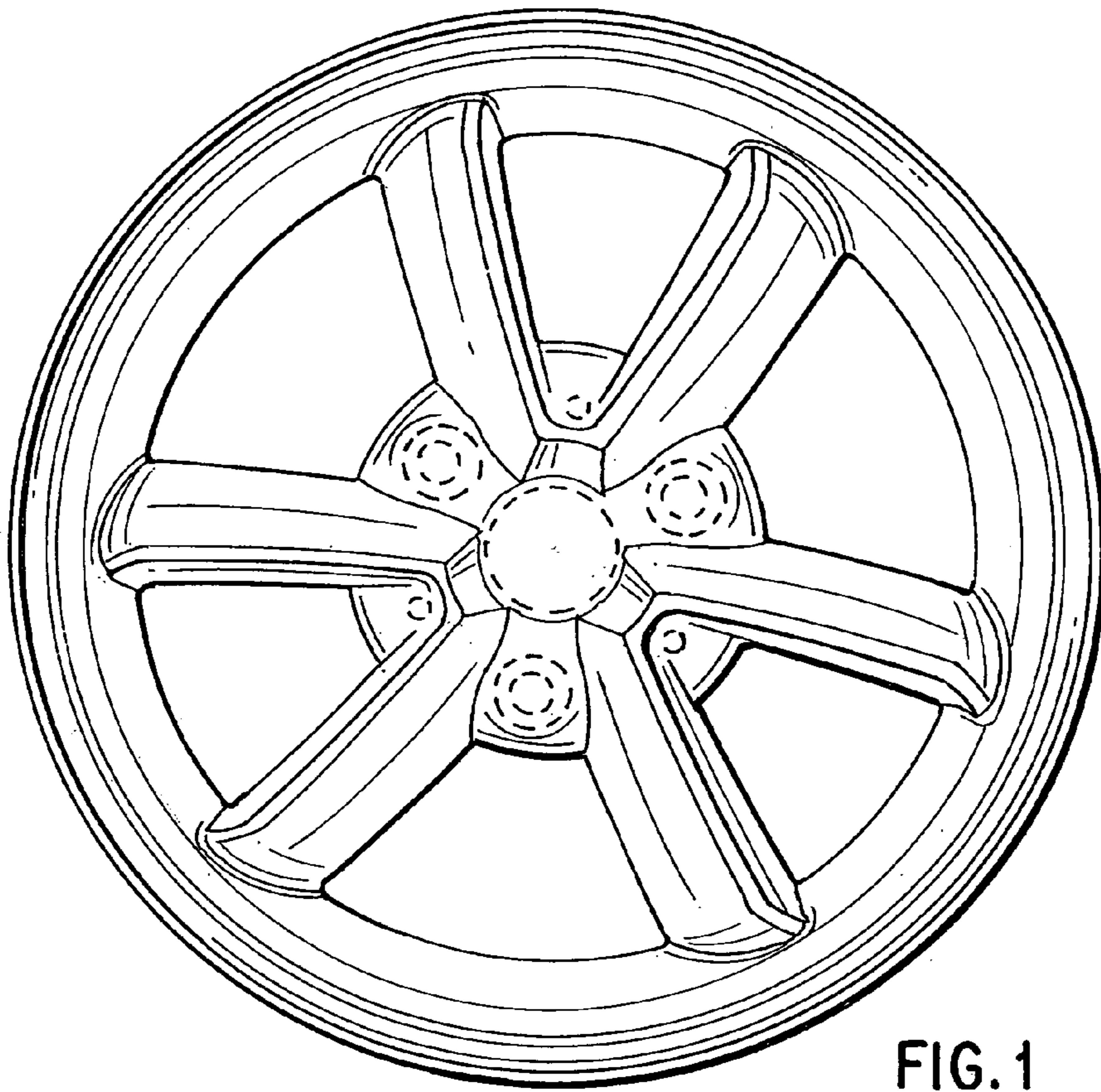


FIG. 1

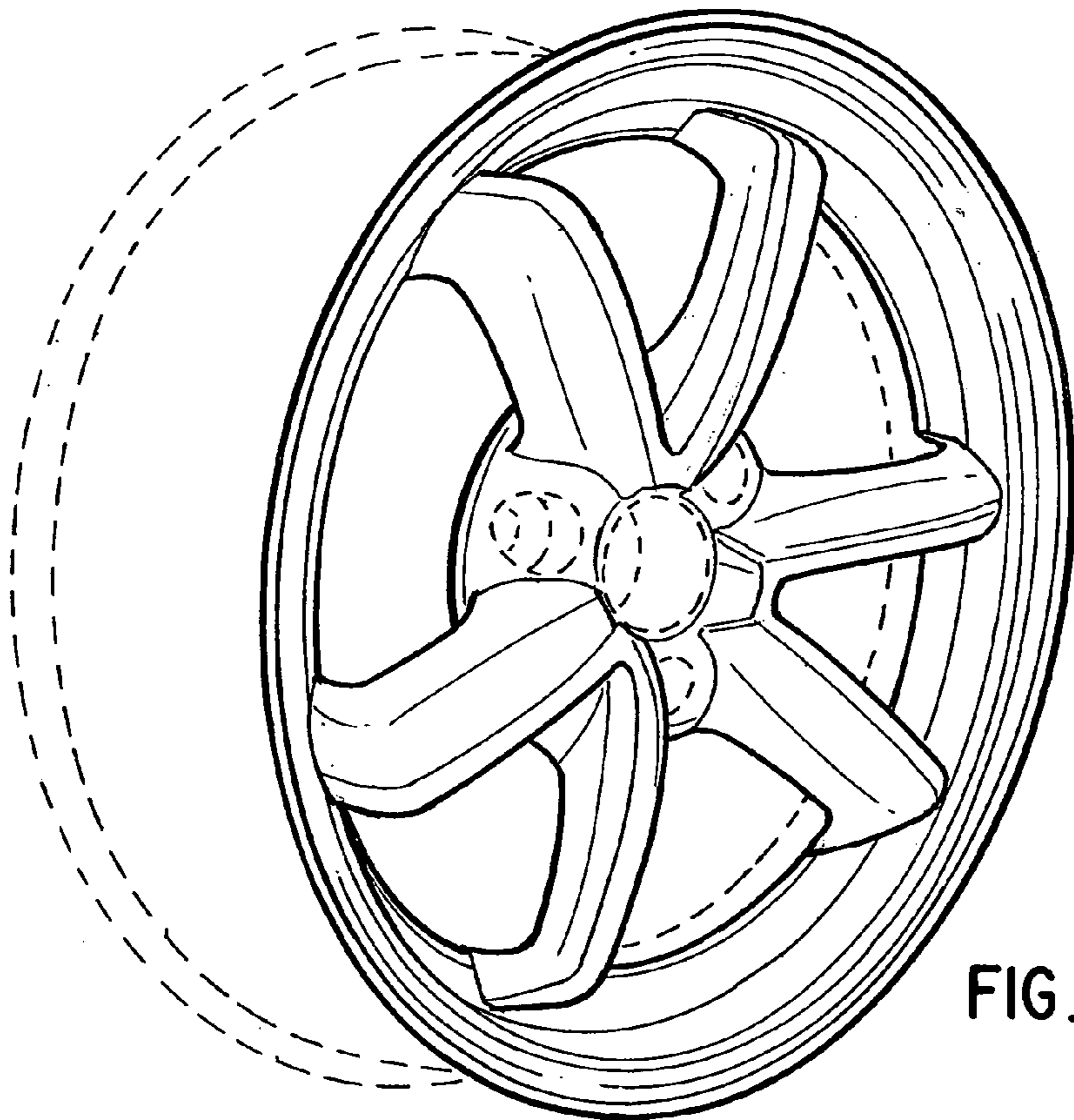


FIG. 2

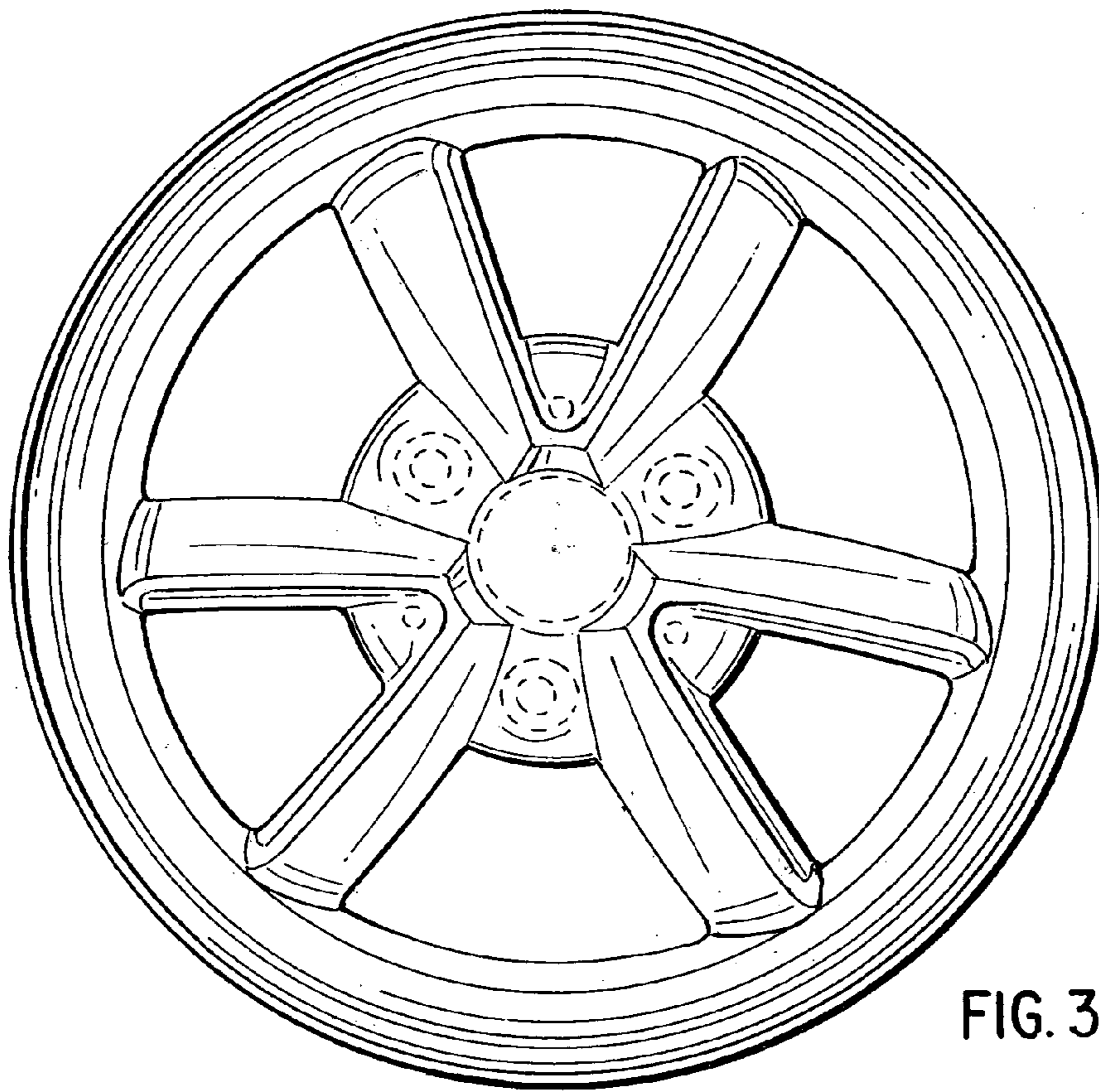


FIG. 3

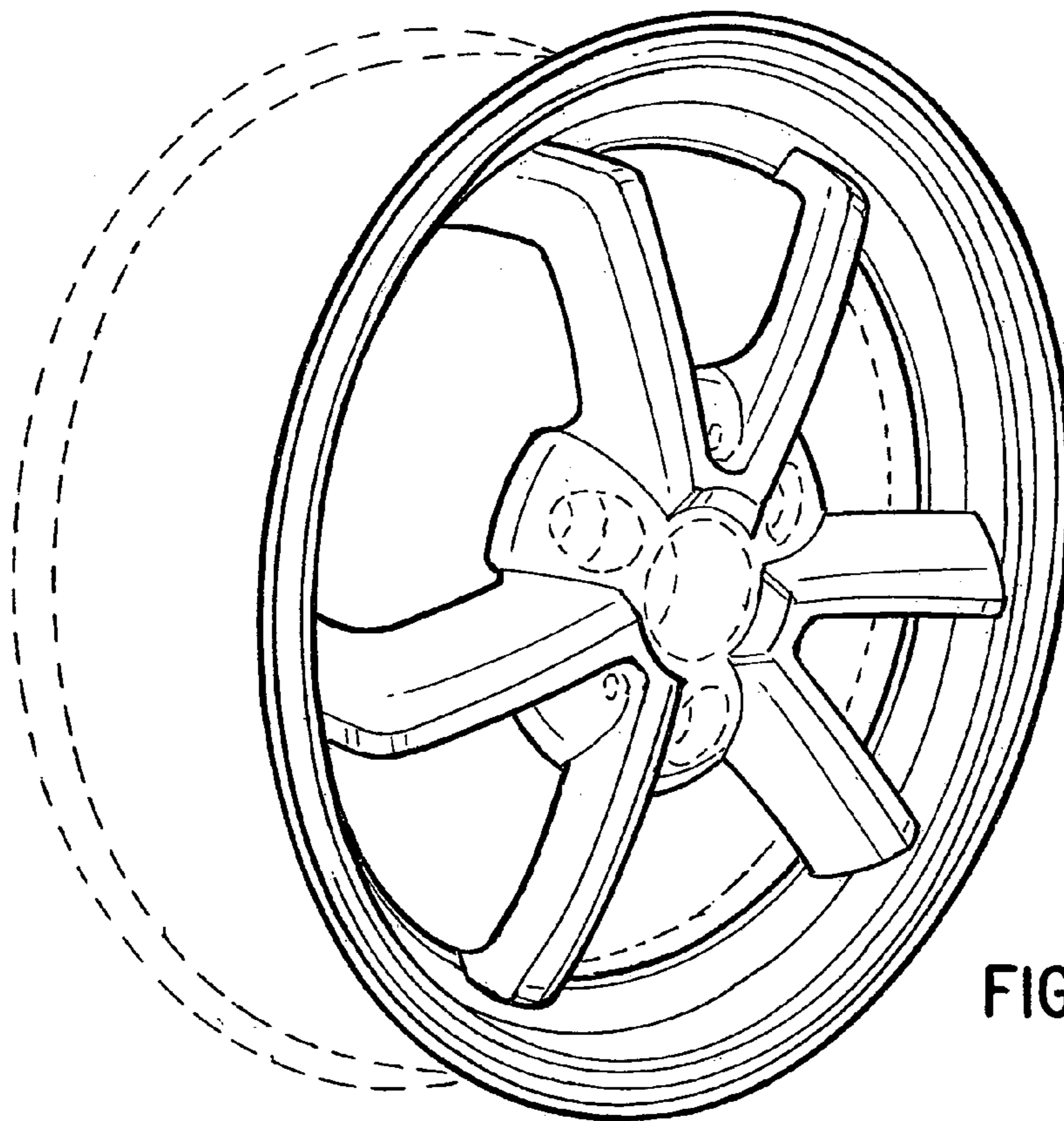


FIG. 4