



US00D623111S

(12) **United States Design Patent**
Spoerle

(10) **Patent No.:** **US D623,111 S**

(45) **Date of Patent:** **** Sep. 7, 2010**

(54) **WHEEL OR WHEEL COVER**

(75) Inventor: **Frank Spoerle**, Leonberg (DE)

(73) Assignee: **Daimler AG**, Stuttgart (DE)

(**) Term: **14 Years**

(21) Appl. No.: **29/311,293**

(22) Filed: **Feb. 10, 2009**

(30) **Foreign Application Priority Data**

Aug. 11, 2008 (EM) 000984745-0003
Aug. 11, 2008 (EM) 000984745-0004

(51) **LOC (9) Cl.** **12-16**

(52) **U.S. Cl.** **D12/211**

(58) **Field of Classification Search** D12/204-213;
301/37.101, 64.101, 65, 64.201
See application file for complete search history.

(56) **References Cited**

U.S. PATENT DOCUMENTS

D339,561 S * 9/1993 Maiworm et al. D12/211
D393,825 S * 4/1998 Fike D12/209
D413,298 S * 8/1999 Hussaini et al. D12/211
D450,030 S * 11/2001 Pfeiffer D12/211
D450,649 S * 11/2001 Penzes D12/211
D473,836 S * 4/2003 Laengerer D12/211
D494,525 S * 8/2004 Borkert D12/211
D504,101 S * 4/2005 Pfeiffer D12/211

D520,435 S * 5/2006 Kulla et al. D12/211
D522,950 S * 6/2006 Pfeiffer D12/211
D530,256 S * 10/2006 Pfeiffer D12/211
D590,320 S * 4/2009 Scheu D12/211
D593,474 S * 6/2009 Flueckiger D12/209
D596,548 S * 7/2009 Gallert D12/211
D599,268 S * 9/2009 Bernoni D12/211
D610,516 S * 2/2010 Dilber et al. D12/211

* cited by examiner

Primary Examiner—Stacia Cadmus

(74) *Attorney, Agent, or Firm*—Crowell & Moring LLP

(57) **CLAIM**

The ornamental design for a wheel or wheel cover, as shown and described.

DESCRIPTION

FIG. 1 is a front view of a first embodiment of a wheel or wheel cover according to my novel design; and

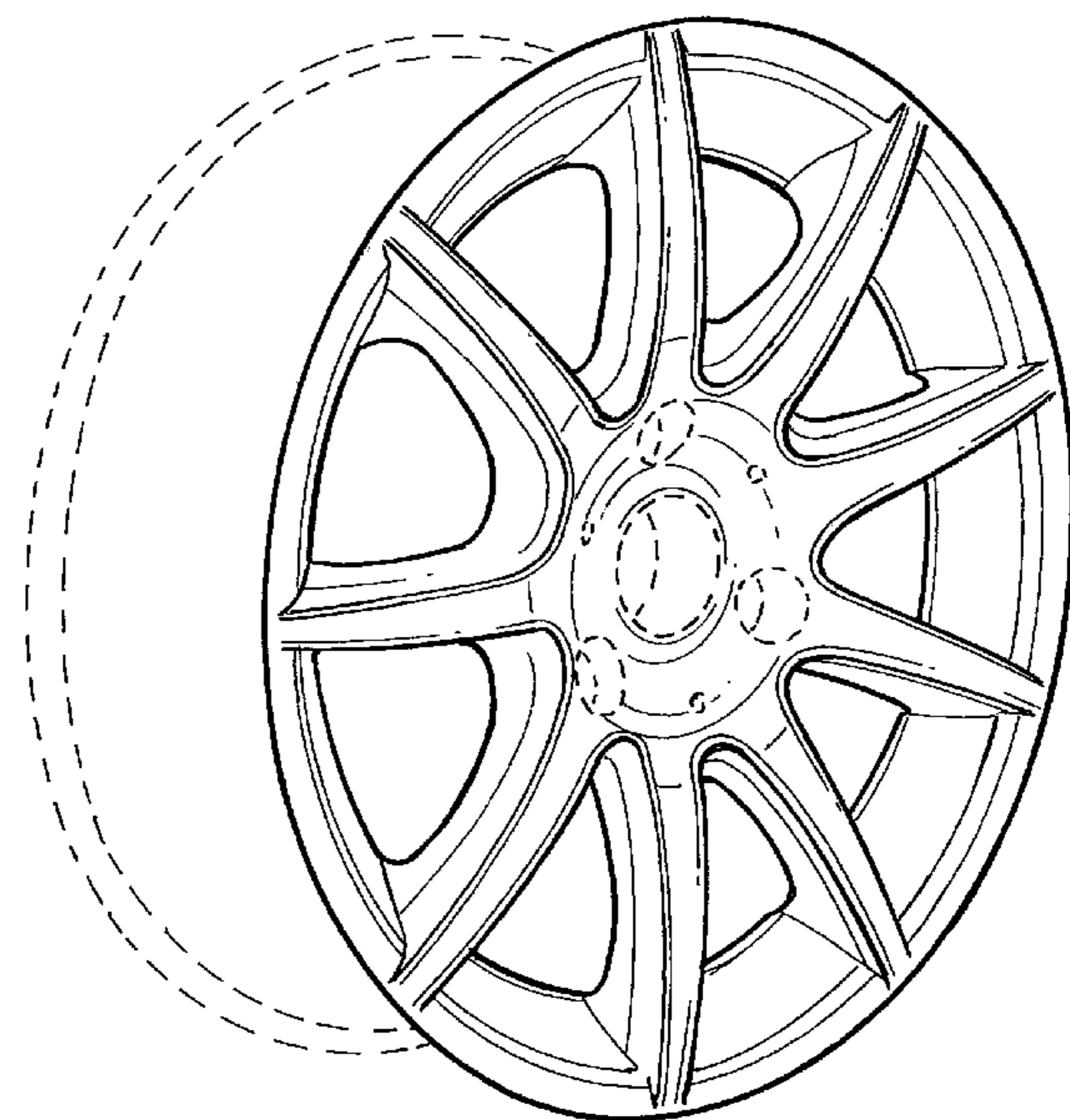
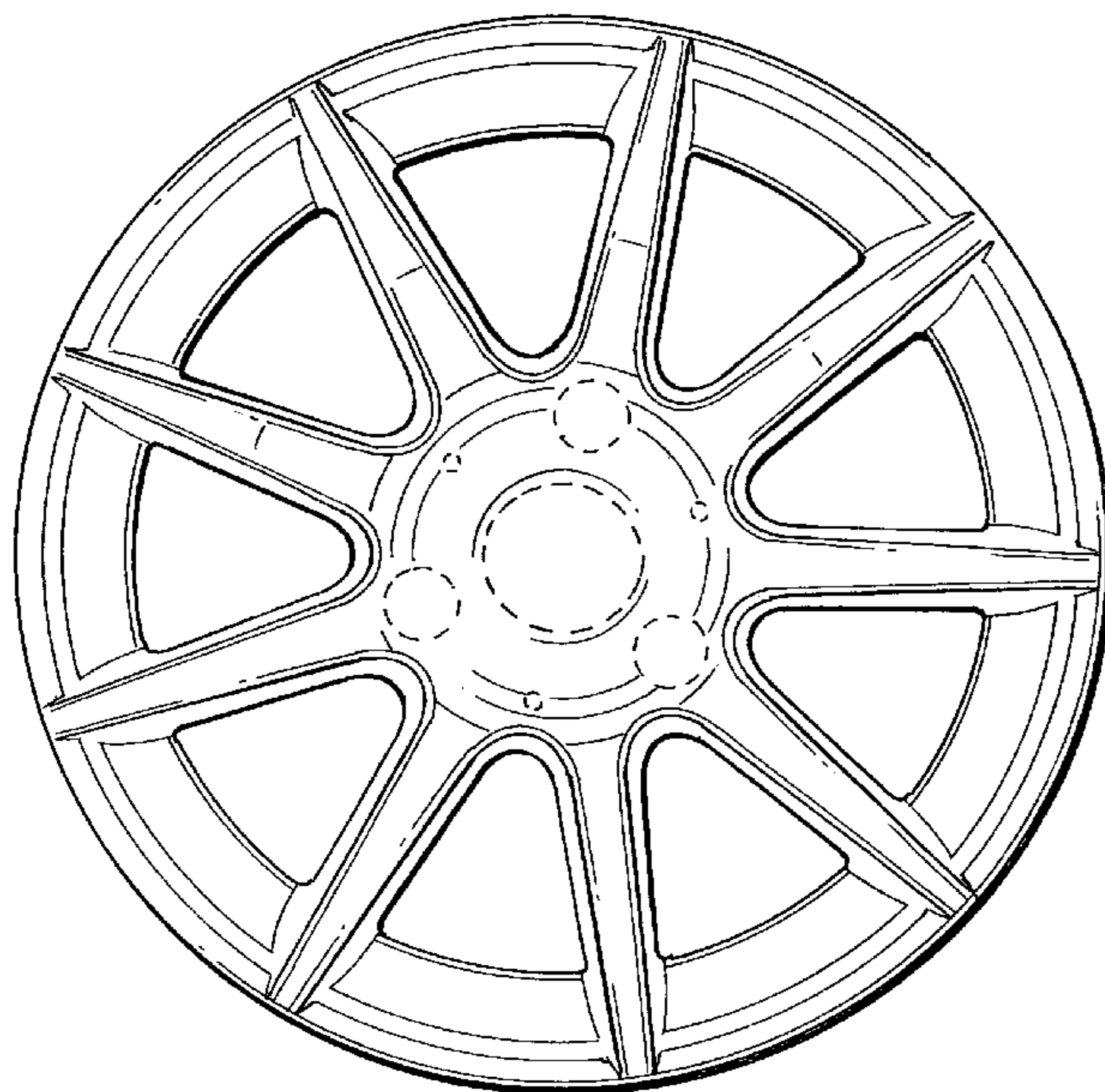
FIG. 2 is a perspective view thereof.

FIG. 3 is a front view of a second embodiment of the wheel or wheel cover according to my novel design; and,

FIG. 4 is a perspective view thereof.

The broken line showing of the rear of the rim and the bolt holes and center hole in the central hub area is included for the purpose of illustrating environment and forms no part of the claimed design.

1 Claim, 2 Drawing Sheets



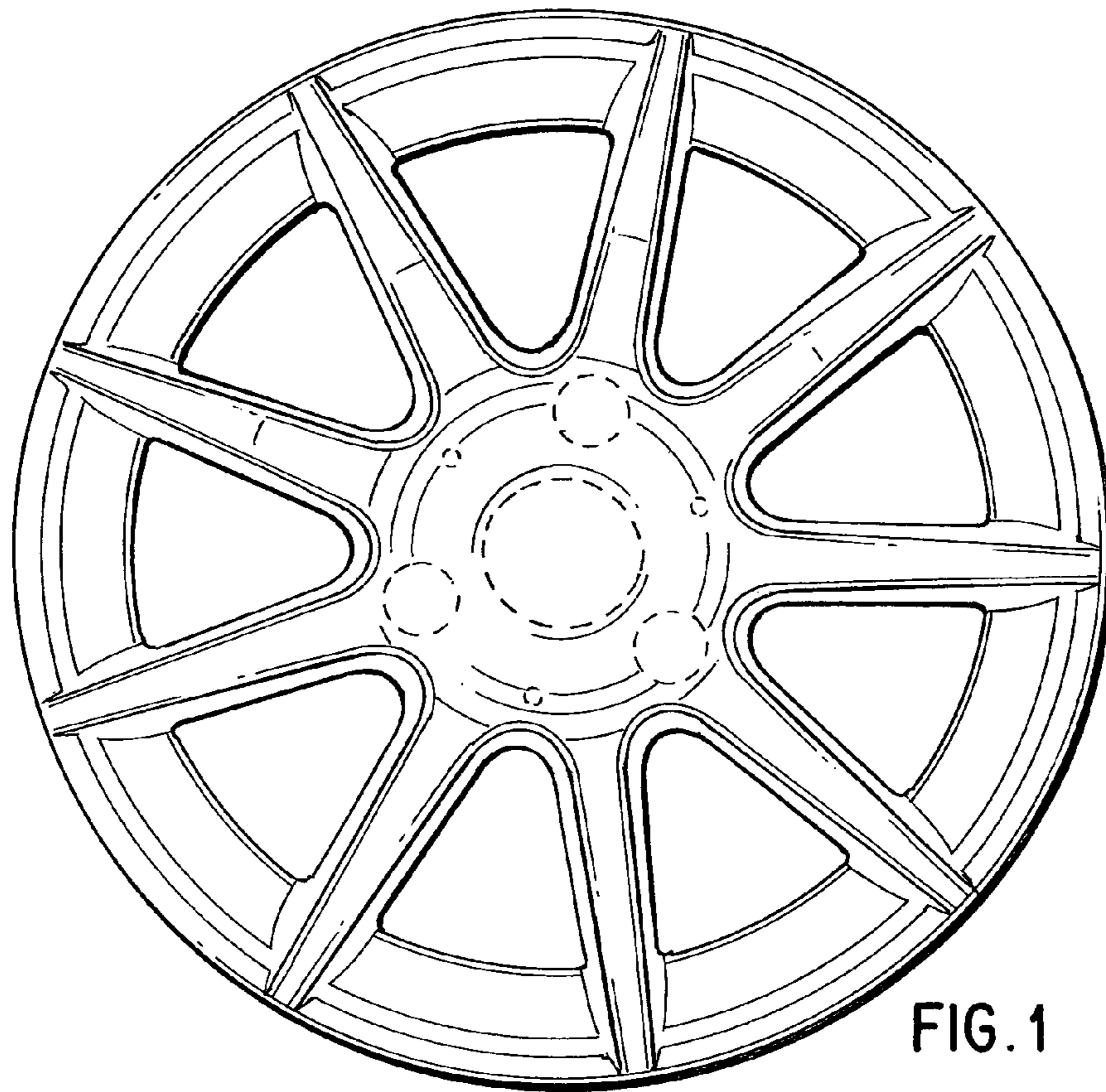


FIG. 1

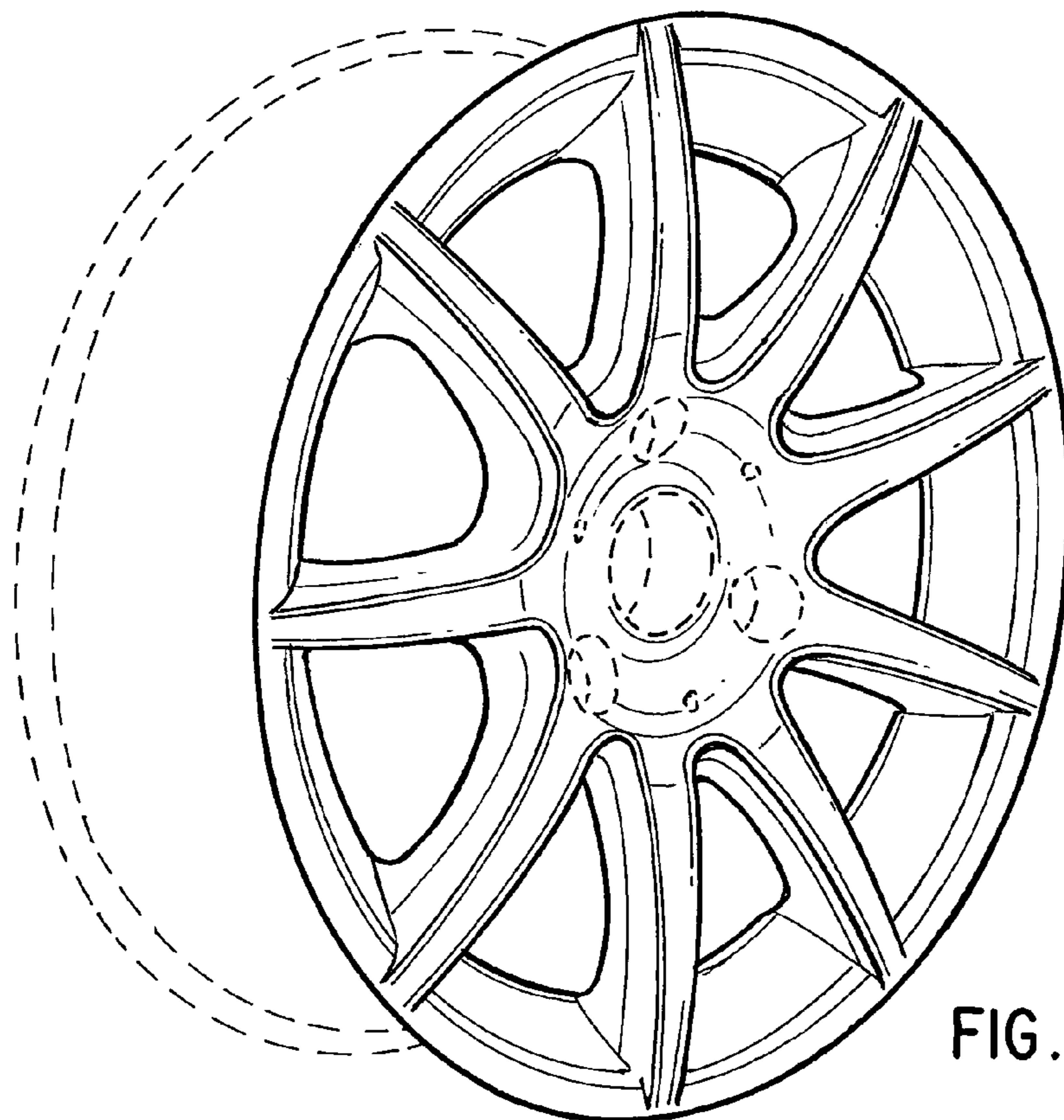


FIG. 2

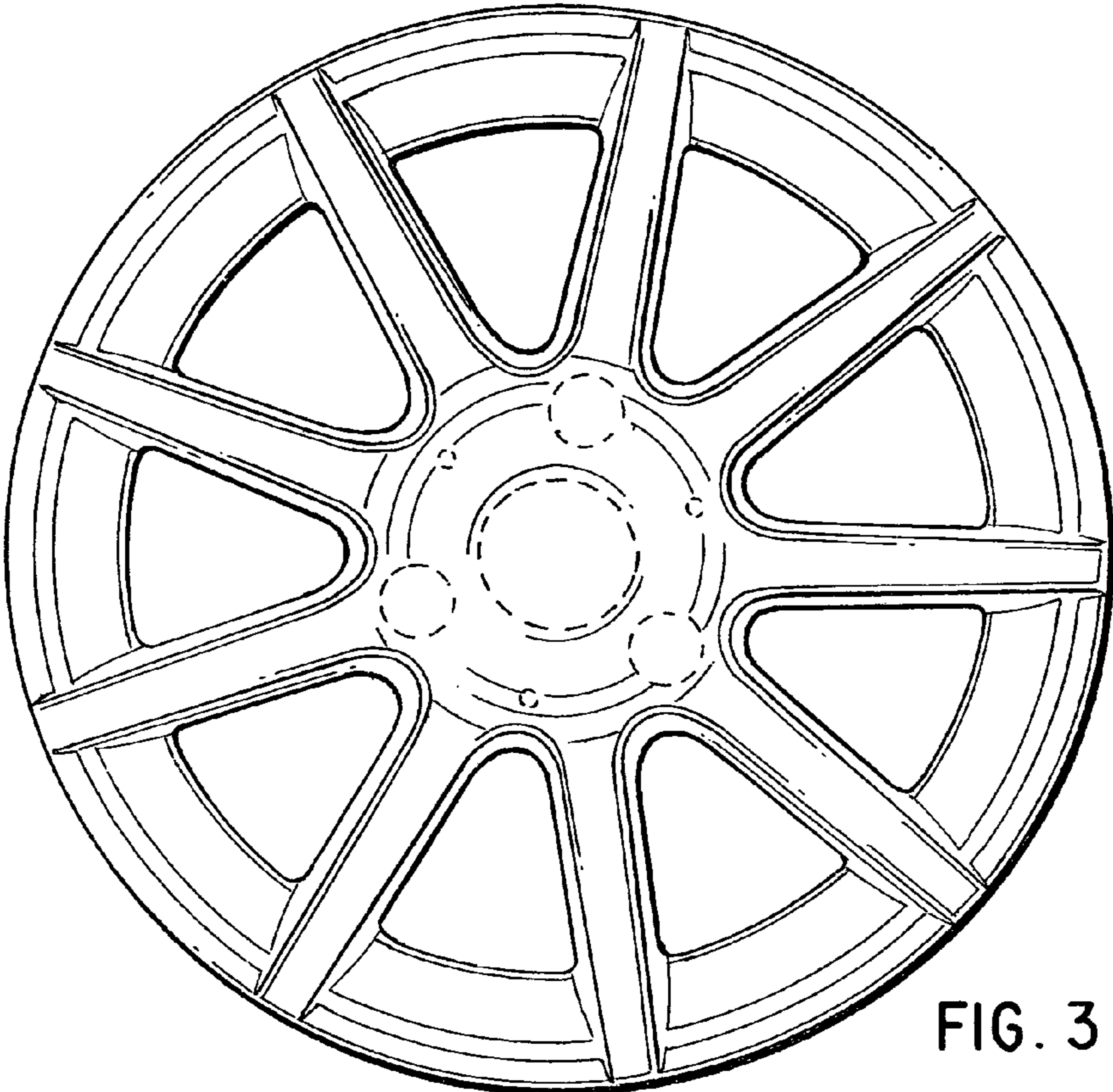


FIG. 3

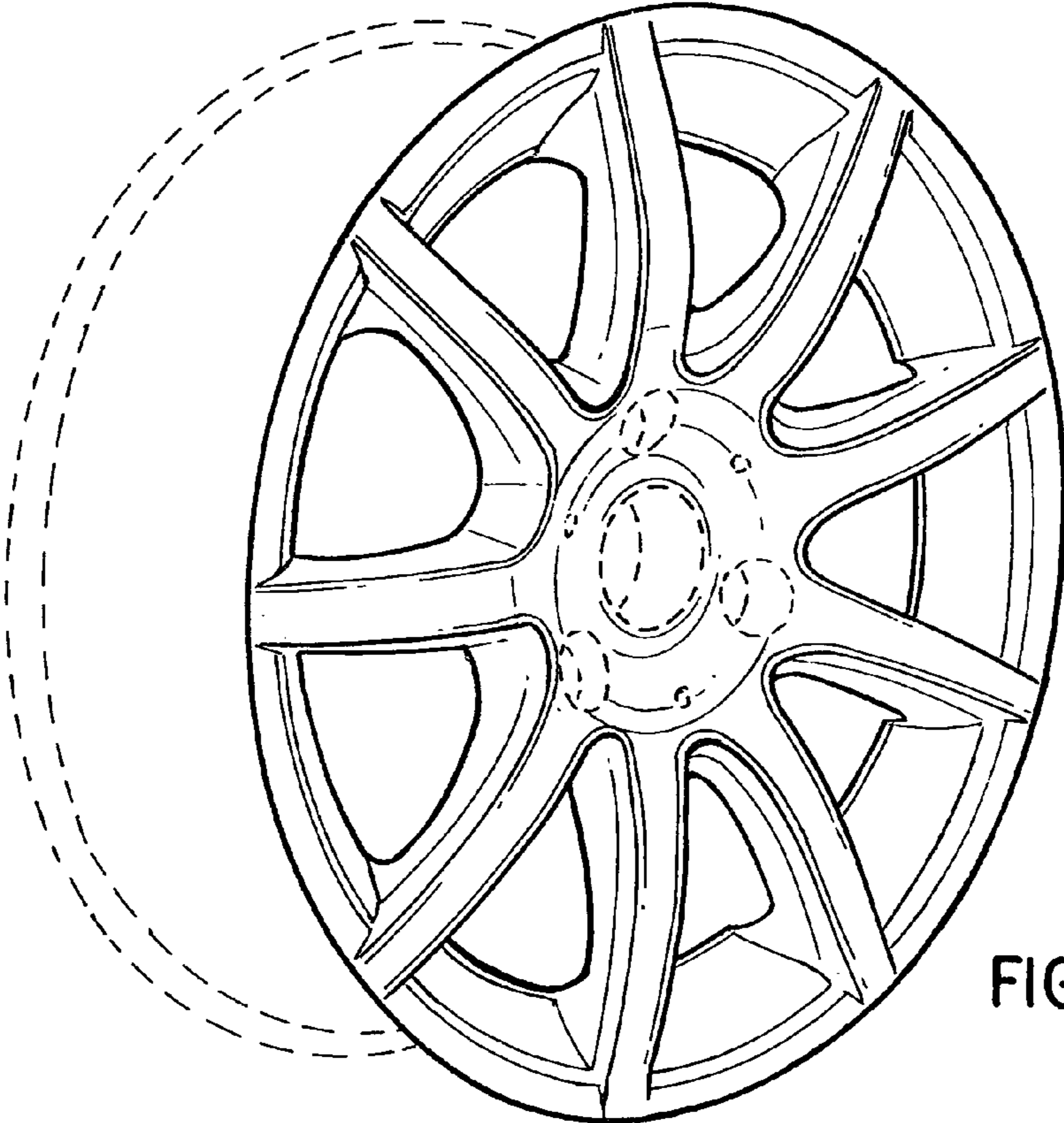


FIG. 4