



US00D623110S

(12) **United States Design Patent**
Juergens et al.

(10) **Patent No.:** **US D623,110 S**

(45) **Date of Patent:** **** Sep. 7, 2010**

(54) **WHEEL OR WHEEL COVER**

(75) Inventors: **Dirk Juergens**, Munich (DE); **Rainer Mueller**, Munich (DE)

(73) Assignee: **Bayerische Motoren Werke Aktiengesellschaft**, Munich (DE)

(**) Term: **14 Years**

(21) Appl. No.: **29/347,274**

(22) Filed: **Nov. 19, 2009**

(30) **Foreign Application Priority Data**

May 20, 2009 (DE) 402009002602

(51) **LOC (9) Cl.** **12-16**

(52) **U.S. Cl.** **D12/209**

(58) **Field of Classification Search** D12/204-213;
301/37.101, 64.101, 65, 64.201

See application file for complete search history.

(56) **References Cited**

U.S. PATENT DOCUMENTS

D407,057 S	3/1999	Goplen	
D430,525 S	9/2000	Lampkin	
D432,479 S	* 10/2000	Lee et al.	D12/209
D436,912 S	1/2001	Boyer	
D486,110 S	2/2004	Elmitt	
D503,917 S	* 4/2005	Kushartanto	D12/209
D505,903 S	* 6/2005	Nordmann	D12/209
D507,225 S	7/2005	Velazco	
D508,671 S	* 8/2005	Baum	D12/209
D515,997 S	* 2/2006	Phillips	D12/209
D522,953 S	* 6/2006	Guevara	D12/211
D527,325 S	* 8/2006	Nagashima	D12/209
D529,429 S	* 10/2006	Hsu	D12/209
D538,215 S	* 3/2007	Laengerer et al.	D12/209
D541,204 S	4/2007	Huet	

D551,150 S	9/2007	Hueller	
D553,067 S	* 10/2007	Muzzarelli	D12/211
D560,152 S	* 1/2008	Nordmann	D12/211
D582,332 S	* 12/2008	Rak	D12/209
D586,281 S	* 2/2009	Pfeiffer	D12/209
D588,516 S	3/2009	Nagashima	
D589,423 S	3/2009	Juergens et al.	
D591,216 S	4/2009	Laengerer	

FOREIGN PATENT DOCUMENTS

DE	M9701285.8	6/1997
DE	M9805818.5	2/1999
DE	49811299.3	8/1999
DE	40106965.6	1/2002
EM	000106513-0002	12/2004
EM	000106513-0006	12/2004
EM	000511639-0005	6/2006
EM	000735758-0005	7/2007
EM	000609458-0001	4/2008
EM	000609458-0004	4/2008
EM	000936281-0003	11/2009

* cited by examiner

Primary Examiner—Stacia Cadmus

(74) *Attorney, Agent, or Firm*—Crowell & Moring LLP

(57) **CLAIM**

The ornamental design for a wheel or wheel cover, as shown and described.

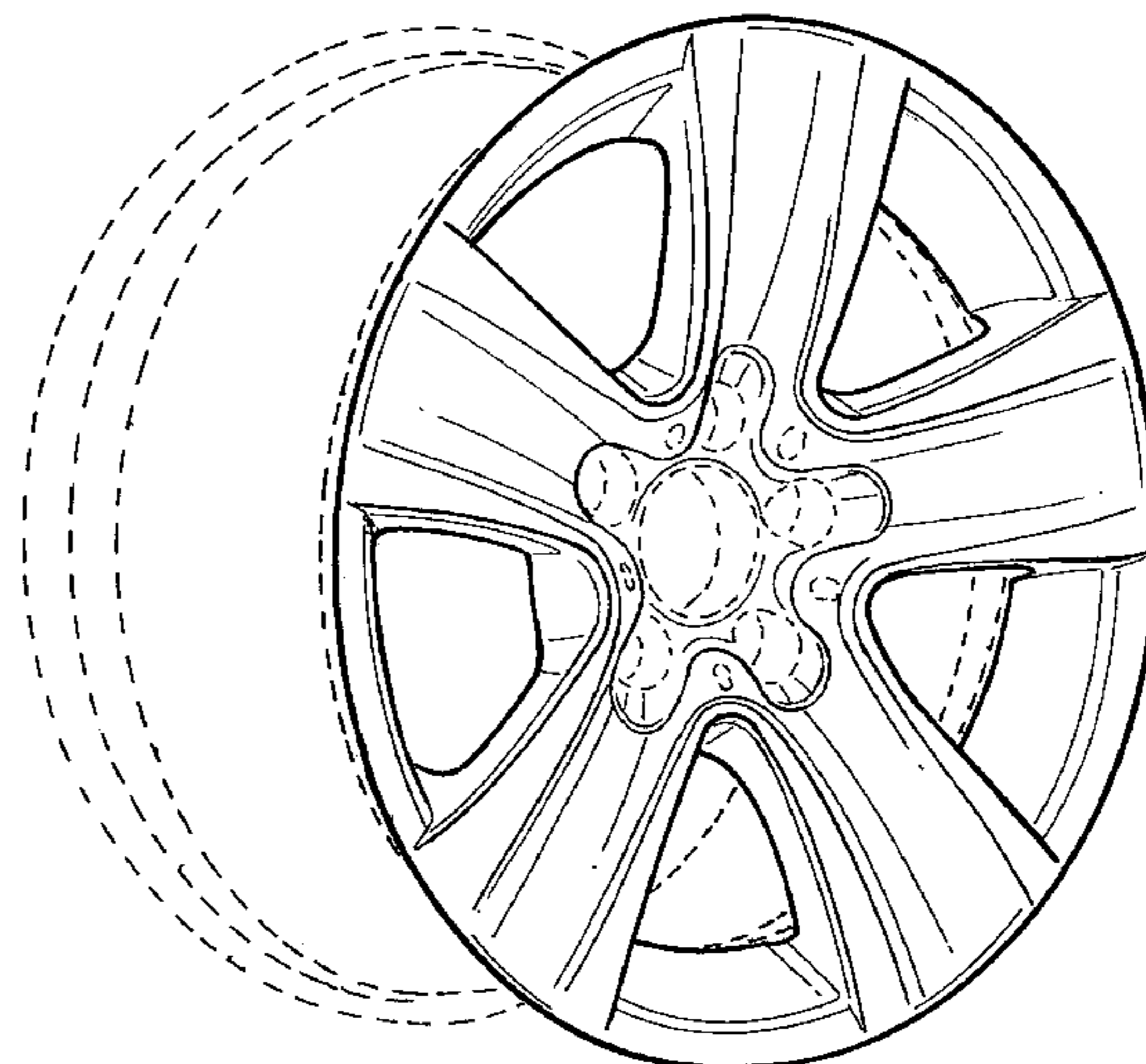
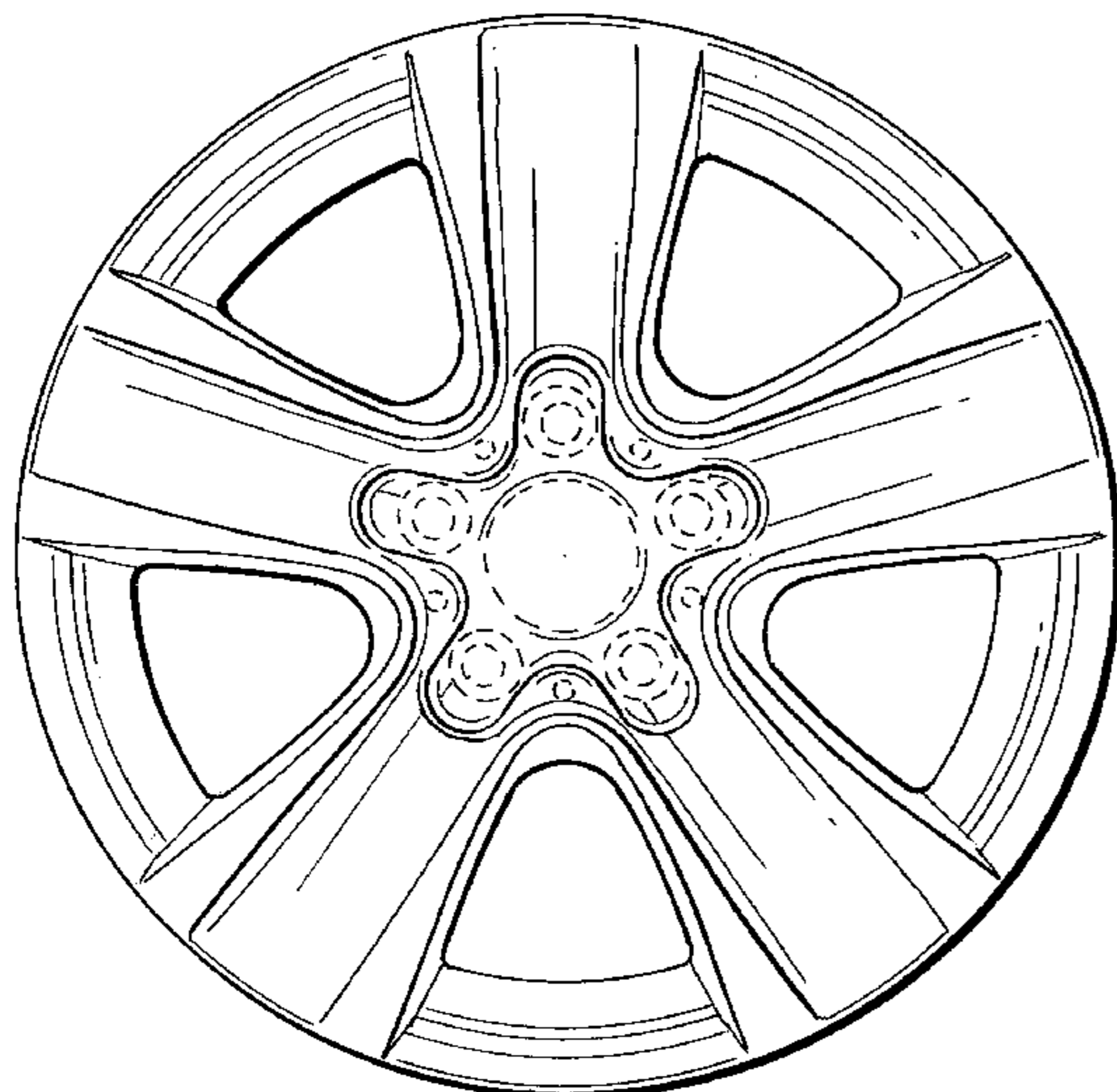
DESCRIPTION

FIG. 1 is a front view of a wheel or wheel cover according to our design; and,

FIG. 2 is a perspective view thereof.

The broken line showing of the rear of the rim and the bolt holes and center hole in the central hub area is included for the purpose of illustrating environment and forms no part of the claimed design.

1 Claim, 1 Drawing Sheet



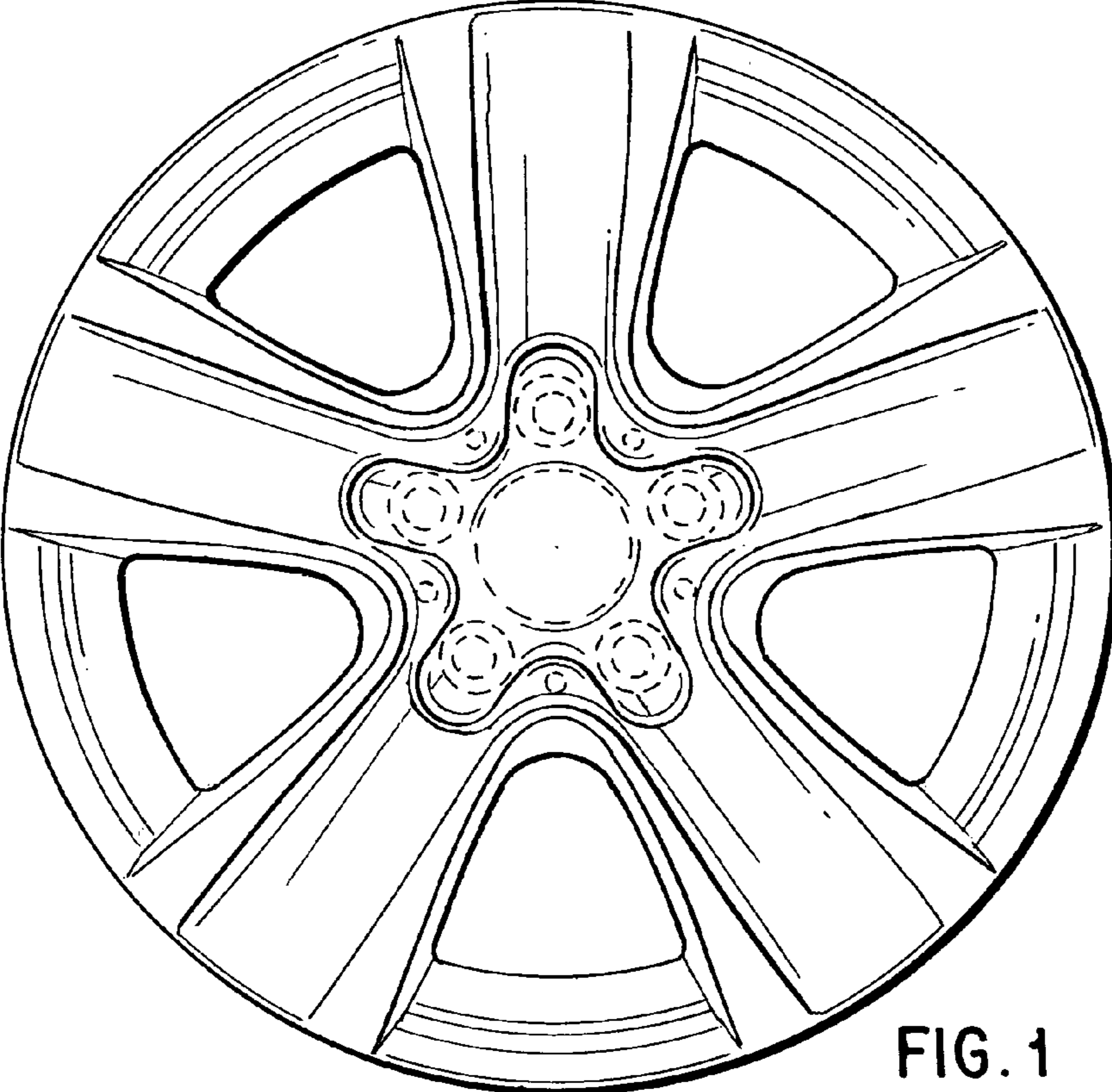


FIG. 1

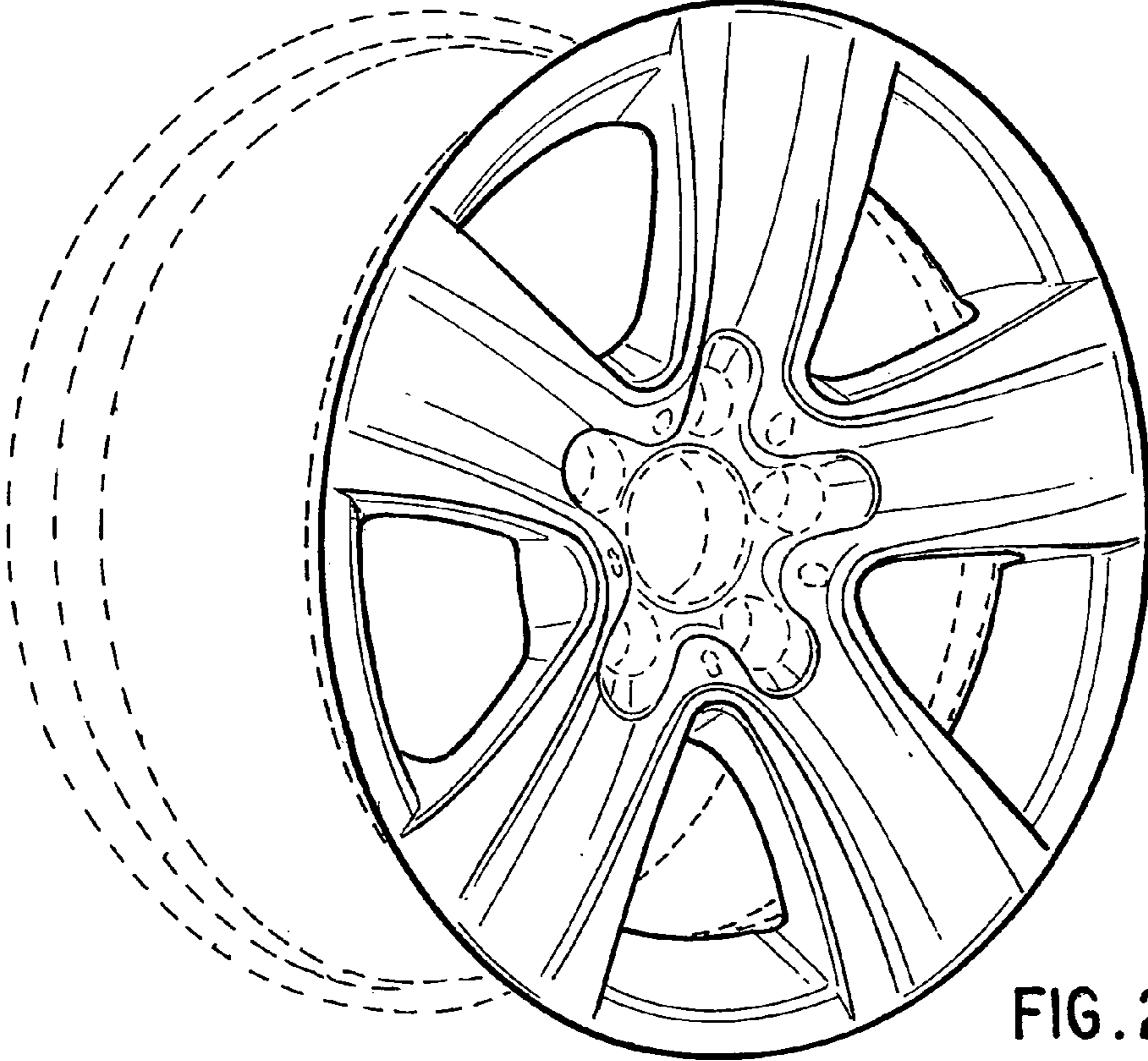


FIG. 2