



US00D623109S

(12) **United States Design Patent**
Markefka

(10) **Patent No.:** **US D623,109 S**
(45) **Date of Patent:** **** Sep. 7, 2010**

(54) **WHEEL OR WHEEL COVER**

(75) Inventor: **Marc Michael Markefka**, Munich (DE)

(73) Assignee: **Bayerische Motoren Werke
Aktiengesellschaft**, Munich (DE)

(**) Term: **14 Years**

(21) Appl. No.: **29/311,932**

(22) Filed: **Jul. 31, 2009**

(30) **Foreign Application Priority Data**

Feb. 3, 2009 (DE) 402009000672

(51) **LOC (9) Cl.** **12-16**

(52) **U.S. Cl.** **D12/209**

(58) **Field of Classification Search** D12/204-213;
301/37.101, 64.101, 65, 64.201
See application file for complete search history.

(56) **References Cited**

U.S. PATENT DOCUMENTS

D407,681 S *	4/1999	Sacco et al.	D12/209
D424,500 S *	5/2000	Johnson	D12/209
D441,706 S *	5/2001	Pfeiffer	D12/209
D460,032 S *	7/2002	Mattin	D12/209
D471,503 S *	3/2003	Baumgartner	D12/211
D482,647 S *	11/2003	Lecher et al.	D12/211
D484,446 S *	12/2003	Pfeiffer et al.	D12/211
D494,120 S *	8/2004	Pfeiffer	D12/209

D507,775 S *	7/2005	Pfeiffer	D12/211
D510,307 S *	10/2005	Howes	D12/209
D513,218 S *	12/2005	Fitzgerald	D12/209
D535,239 S *	1/2007	Hovind et al.	D12/209
D538,730 S	3/2007	Thurner	
D543,922 S *	6/2007	Young	D12/209

FOREIGN PATENT DOCUMENTS

EM	000138813-0001	6/2004
EM	000573753-0001	9/2006
EM	000901061-0001	7/2008
WO	DM/061823	12/2002

* cited by examiner

Primary Examiner—Stacia Cadmus

(74) *Attorney, Agent, or Firm*—Crowell & Moring LLP

(57) **CLAIM**

The ornamental design for a wheel or wheel cover, as shown and described.

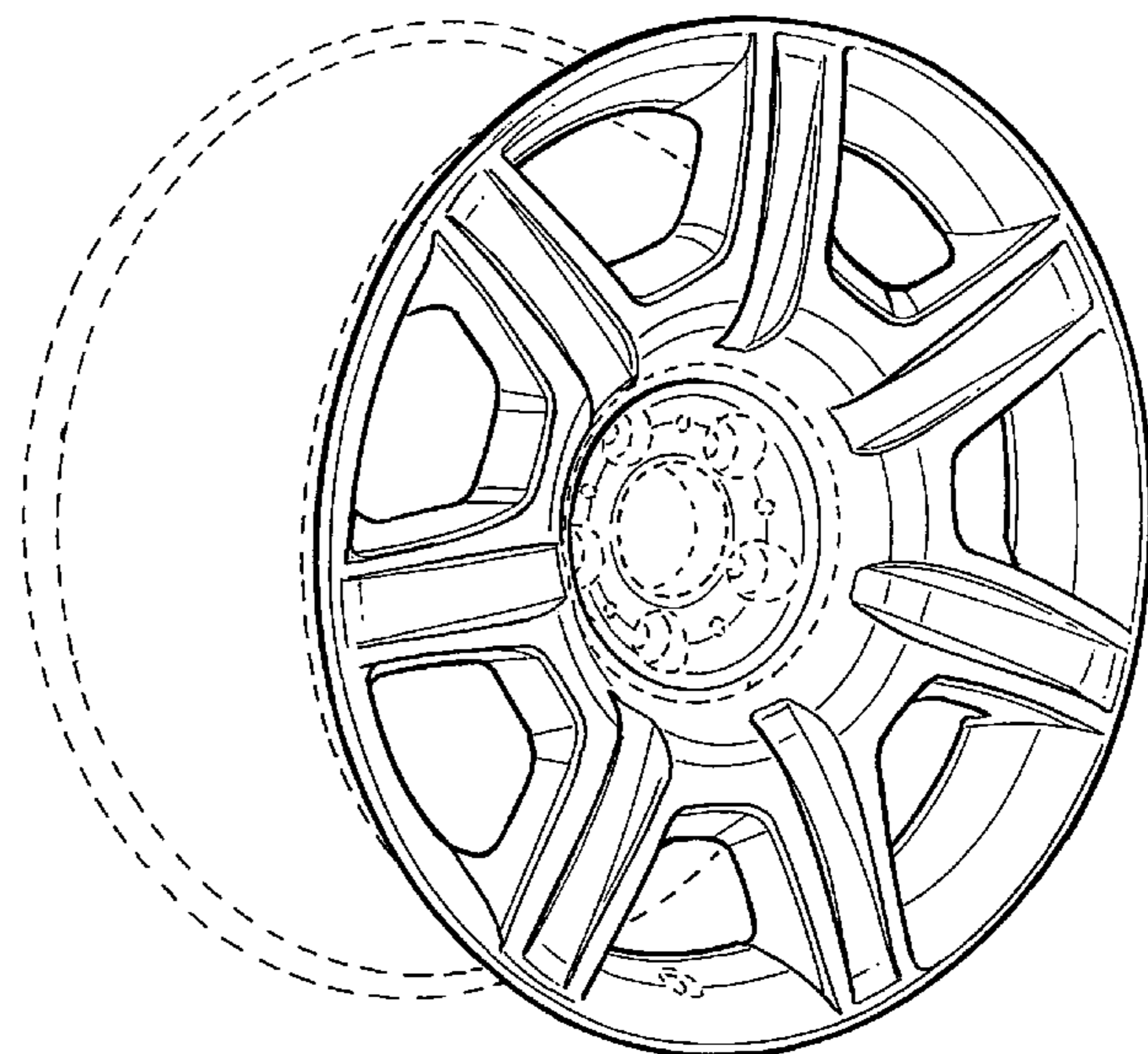
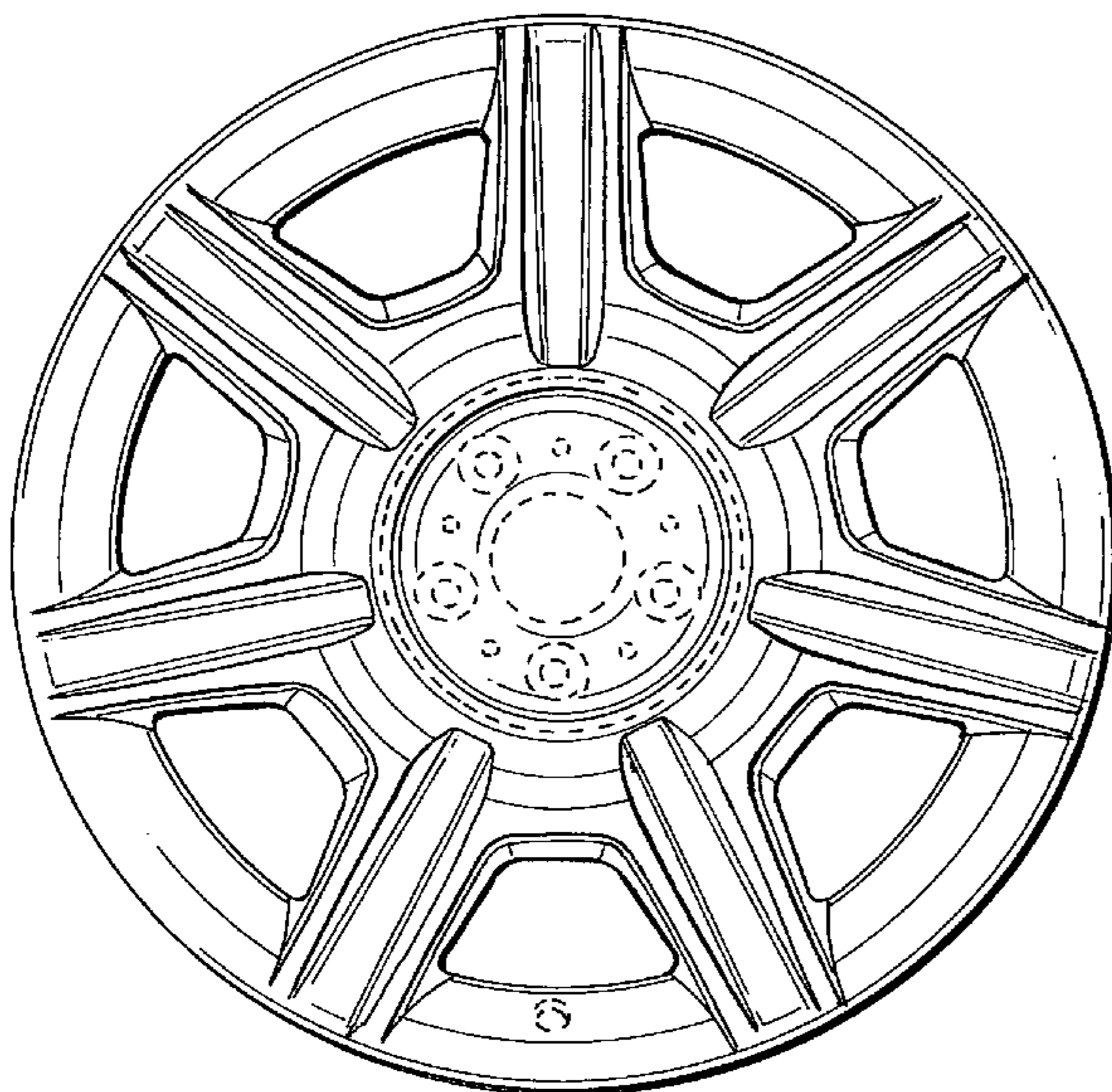
DESCRIPTION

FIG. 1 is a front view of a wheel or wheel cover according to my design; and,

FIG. 2 is a perspective view thereof.

The broken line showing of the rear of the rim and the bolt holes and center hole in the central hub area is included for the purpose of illustrating environment and forms no part of the claimed design.

1 Claim, 1 Drawing Sheet



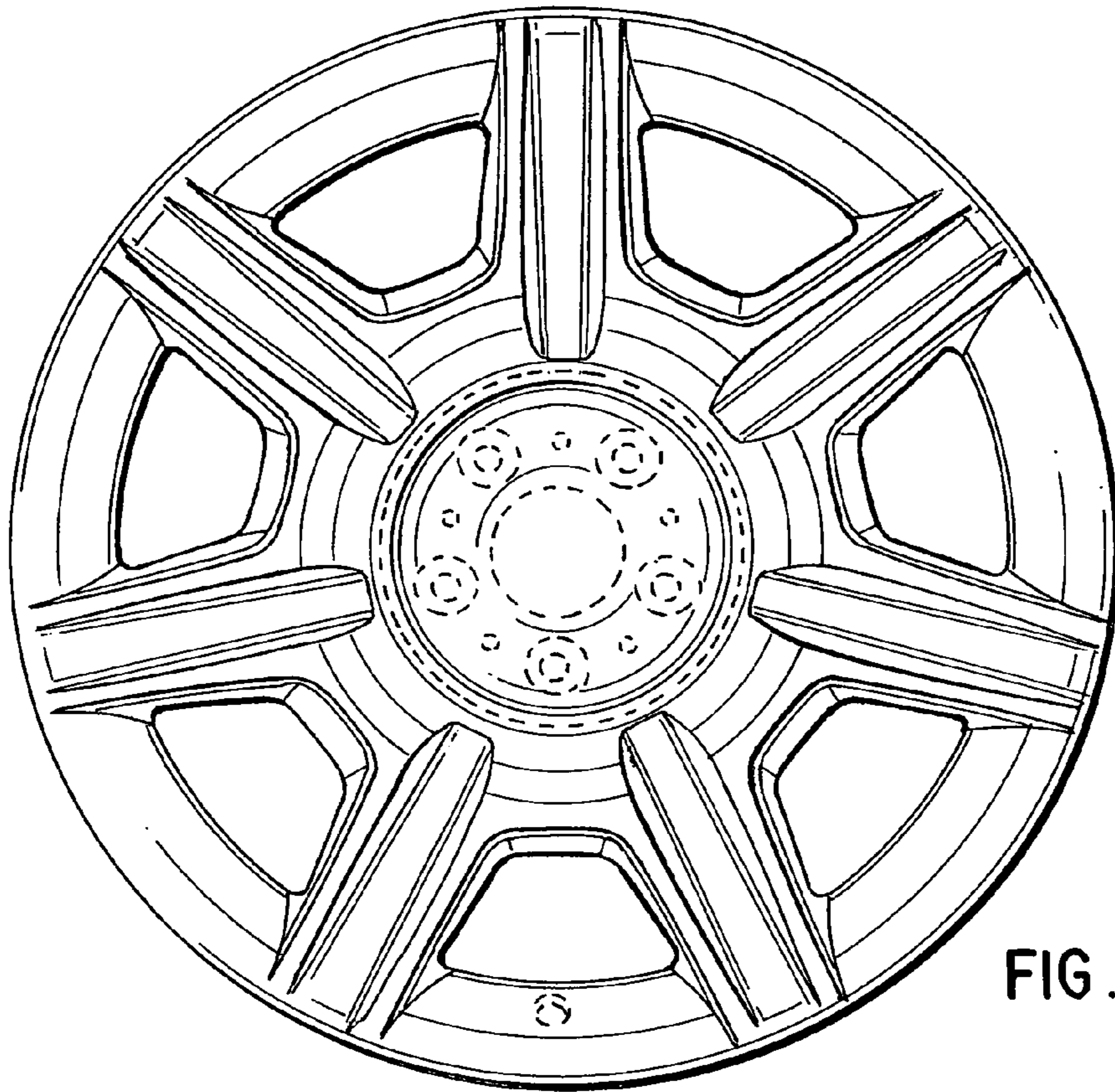


FIG. 1

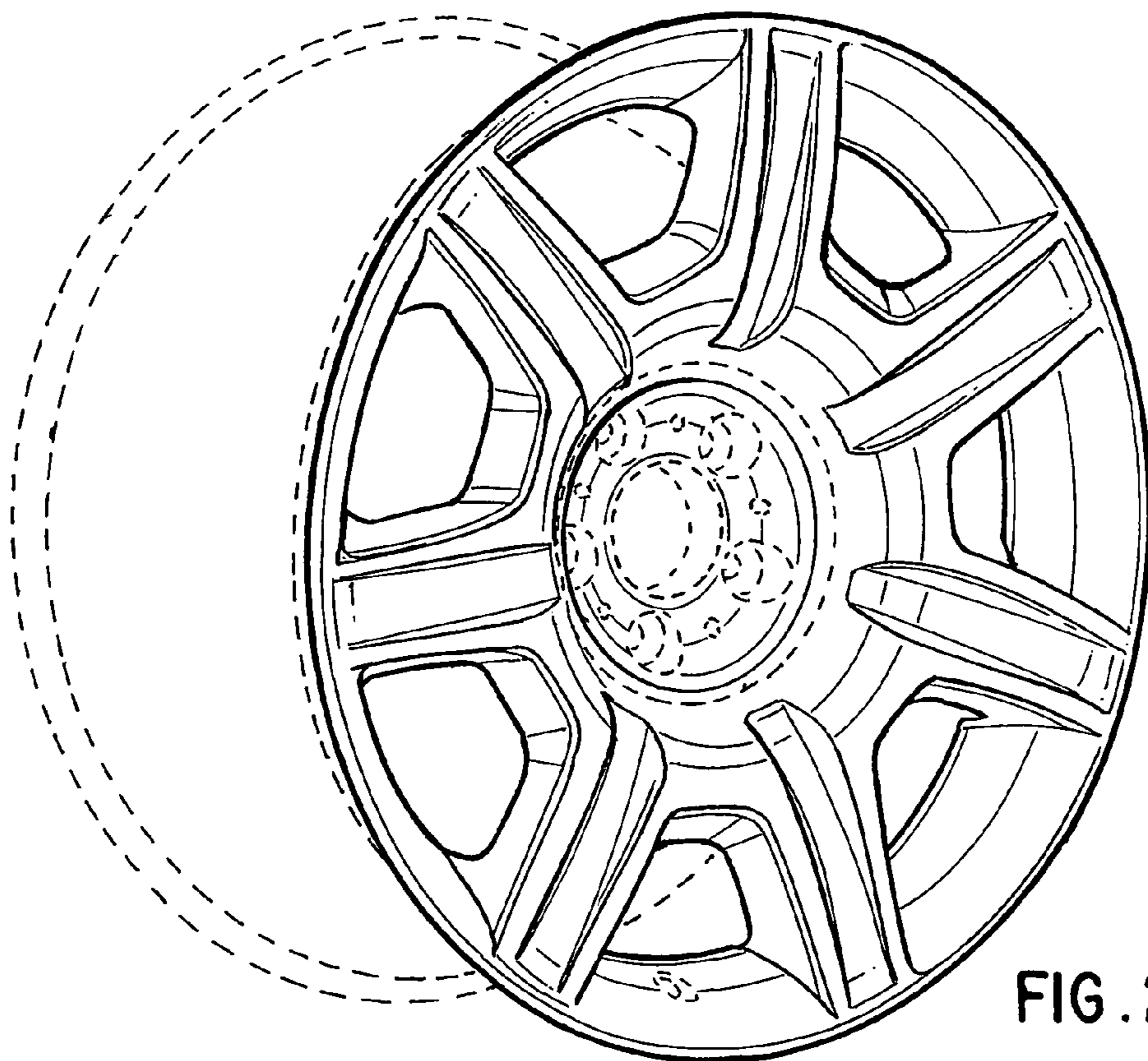


FIG. 2