



US00D623105S

(12) **United States Design Patent**  
**Aneiros**

(10) **Patent No.:** **US D623,105 S**  
(45) **Date of Patent:** **\*\* Sep. 7, 2010**

(54) **LOCKABLE LICENSE PLATE COVER**

(76) Inventor: **Dennis H. Aneiros**, 9920 N. Kendal Dr.,  
Apartment J407, Miami, FL (US) 33176

(\*\*) Term: **14 Years**

(21) Appl. No.: **29/334,075**

(22) Filed: **Mar. 19, 2009**

(51) **LOC (9) Cl.** ..... **12-16**

(52) **U.S. Cl.** ..... **D12/193**

(58) **Field of Classification Search** ..... D12/193;  
D6/300-303, 310-314; 40/200-203, 207-216;  
428/346

See application file for complete search history.

(56) **References Cited**

**U.S. PATENT DOCUMENTS**

2,710,475	A	6/1955	Salzmann	
3,432,954	A	3/1969	Ford	
4,182,062	A	1/1980	Krokos et al.	
4,891,895	A	1/1990	DeLaquil, Jr.	
5,012,602	A *	5/1991	Storey	40/201
5,659,986	A	8/1997	Simmons	
D396,439	S *	7/1998	Turnquest	D12/193
D415,987	S	11/1999	Romero	
6,385,876	B1	5/2002	Mc Kenzie	
6,481,126	B2 *	11/2002	Paulhill	40/202
D489,031	S *	4/2004	Leibman	D12/193
D496,312	S *	9/2004	Sybilrud et al.	D12/193

6,832,444	B1 *	12/2004	MacNeil	40/209
D545,259	S *	6/2007	Stahel et al.	D12/193
D591,660	S *	5/2009	Kazaryan	D12/193
2004/0148826	A1 *	8/2004	MacNeil	40/209
2005/0198876	A1 *	9/2005	Chang et al.	40/209
2006/0070735	A1 *	4/2006	Guerra et al.	166/267
2007/0157495	A1 *	7/2007	Yang	40/201

\* cited by examiner

*Primary Examiner*—Caron Veynar  
*Assistant Examiner*—Katrina A Kile

(57) **CLAIM**

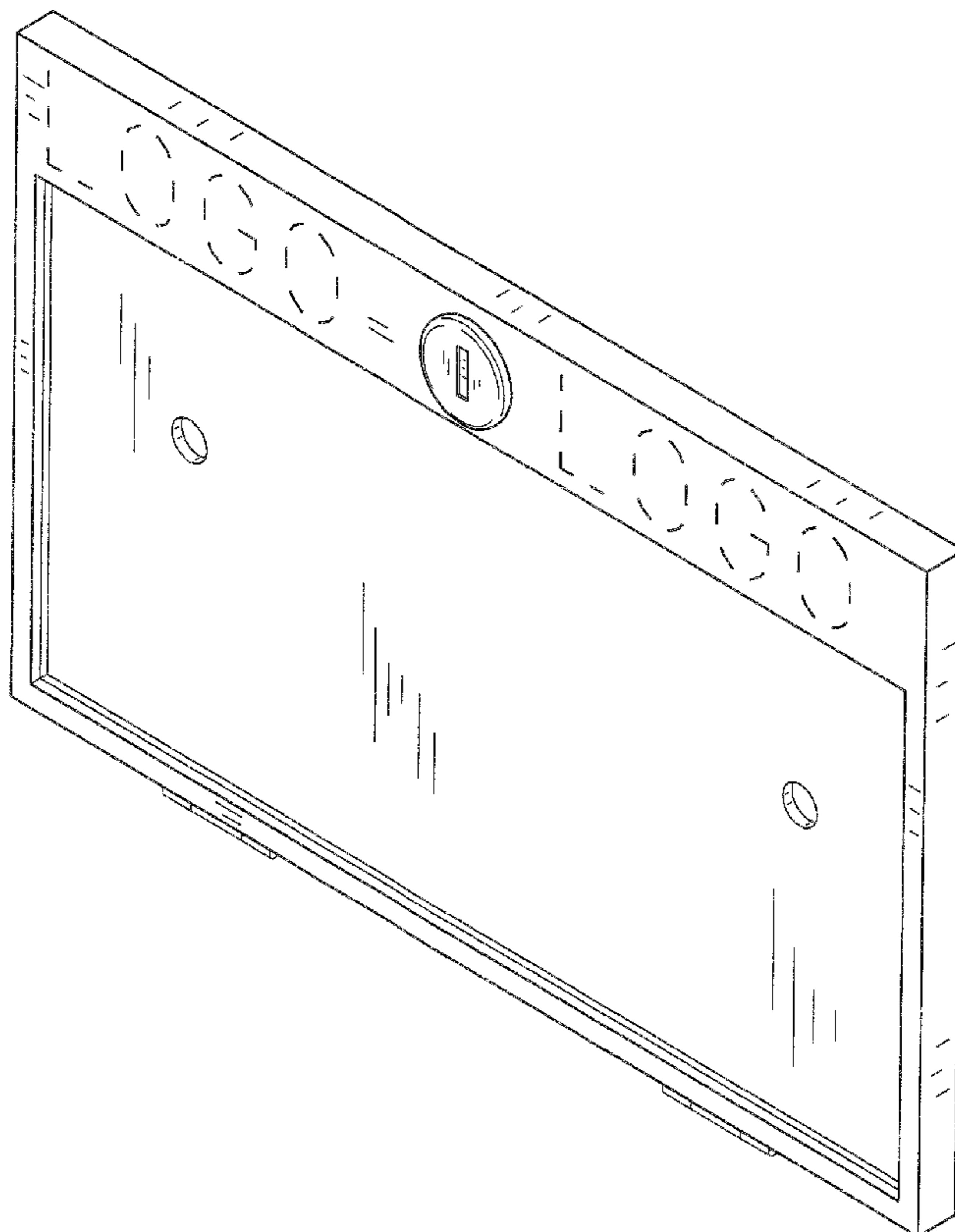
The ornamental design for a lockable license plate cover, as shown and described.

**DESCRIPTION**

FIG. 1 is a perspective view of a lockable license plate cover;  
FIG. 2 is a front view thereof;  
FIG. 3 is a back view thereof;  
FIG. 4 is a side view thereof (opposite side view is mirror image);  
FIG. 5 is a top view thereof; and,  
FIG. 6 is a bottom view thereof.

In the drawings, the broken lines in FIGS. 1 and 2 depict a logo and form no part of the claimed design.

**1 Claim, 4 Drawing Sheets**



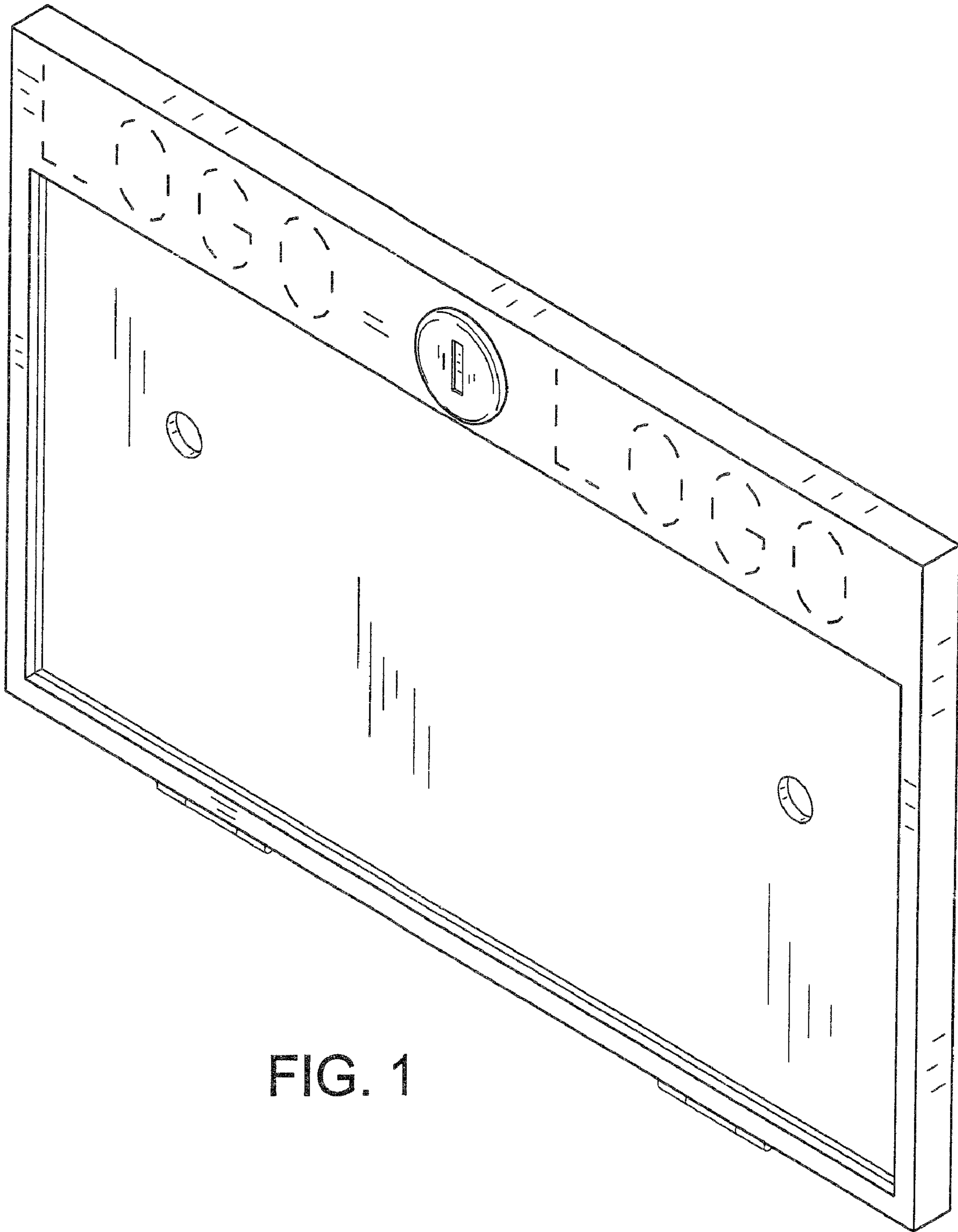


FIG. 1

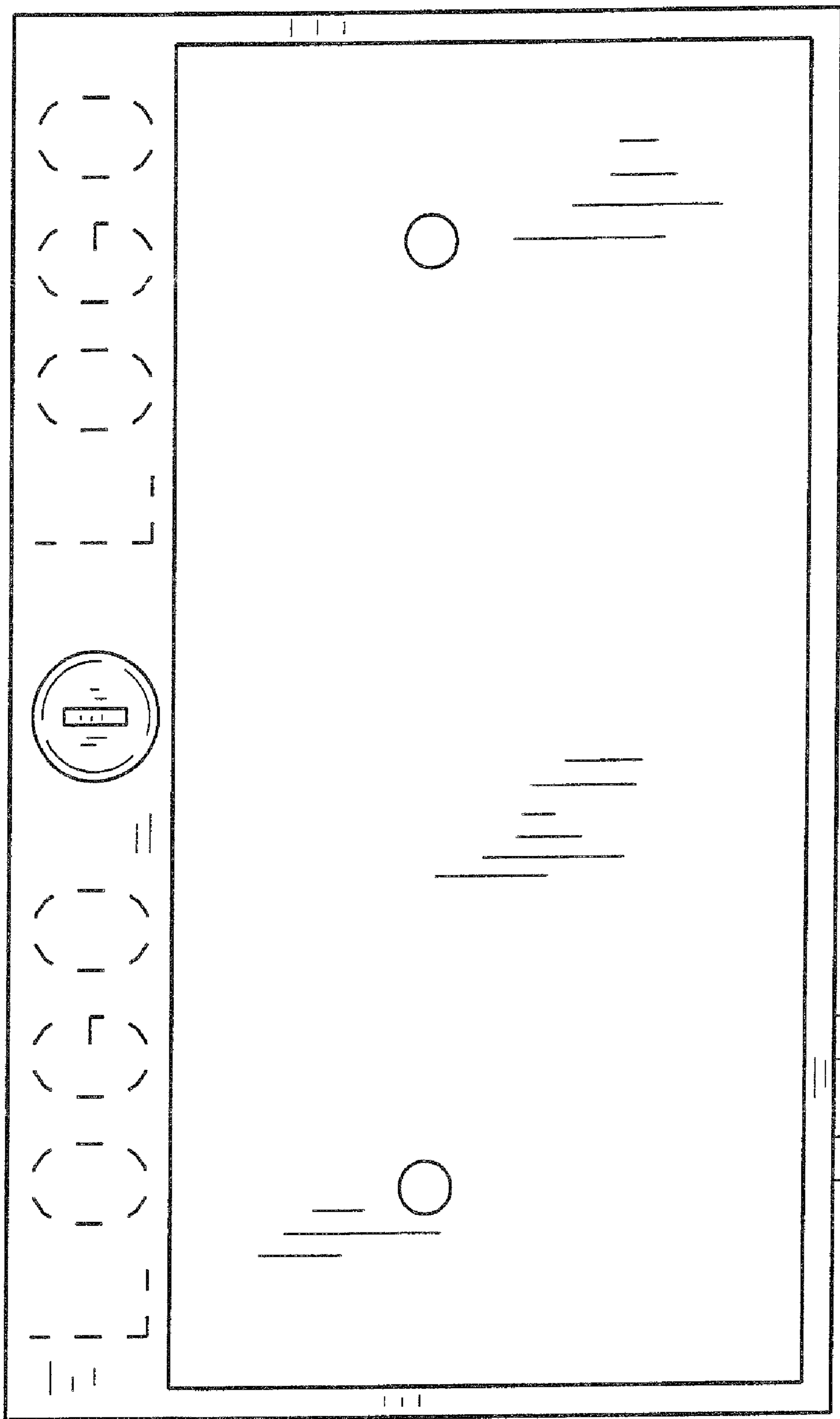


FIG. 2

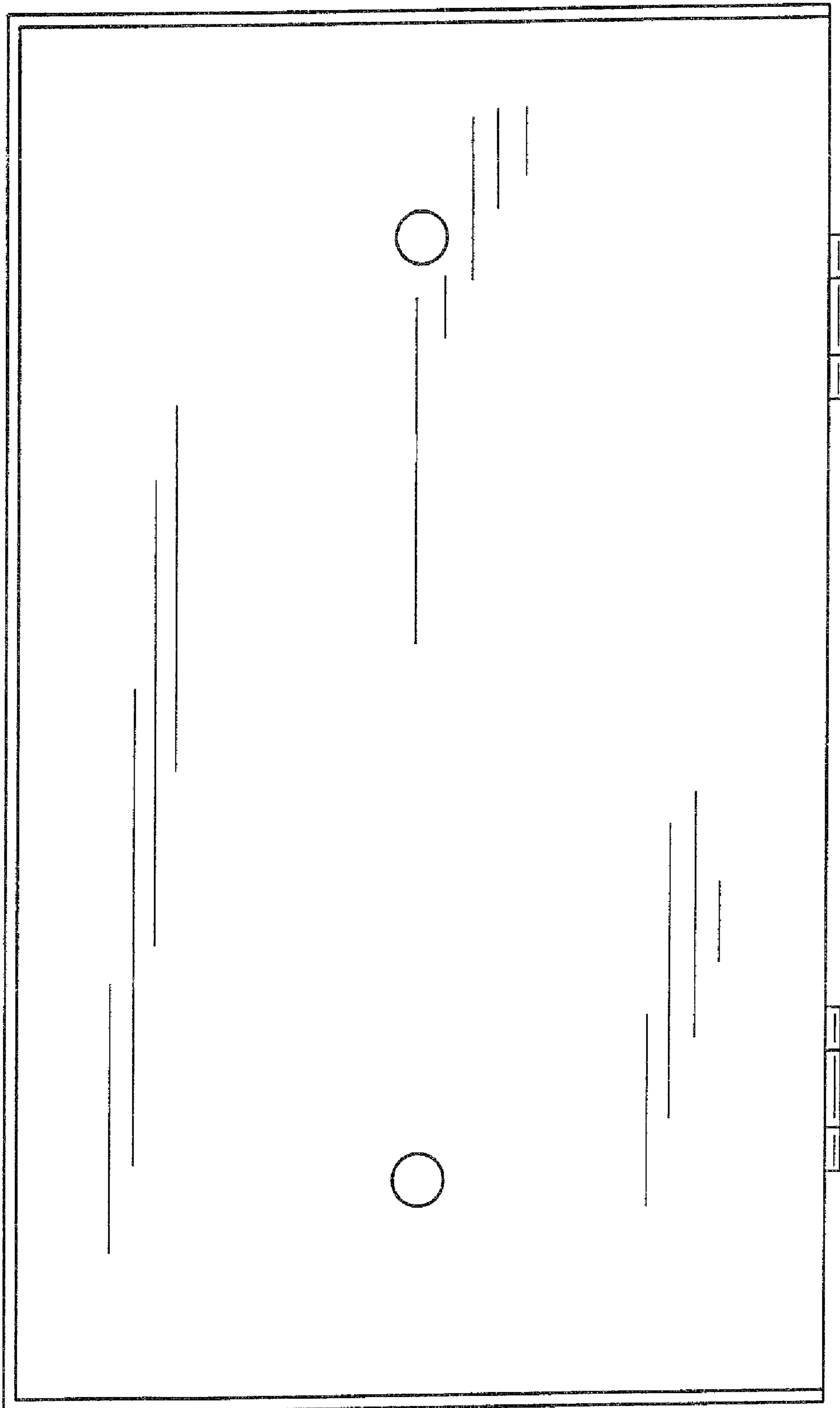


FIG. 3



FIG. 4



FIG. 5



FIG. 6