



US00D623095S

(12) **United States Design Patent**  
**Nusbaum**

(10) **Patent No.:** **US D623,095 S**

(45) **Date of Patent:** **\*\* Sep. 7, 2010**

(54) **BICYCLE PARKING STAND**

(75) Inventor: **Neil Nusbaum**, Los Angeles, CA (US)

(73) Assignee: **Hollywood Engineering Inc.**, Los Angeles, CA (US)

(\*\*) Term: **14 Years**

(21) Appl. No.: **29/362,025**

(22) Filed: **May 19, 2010**

**Related U.S. Application Data**

(62) Division of application No. 29/350,120, filed on Nov. 11, 2009.

(51) **LOC (9) Cl.** ..... **12-11**

(52) **U.S. Cl.** ..... **D12/115**

(58) **Field of Classification Search** ..... D12/115,  
D12/120; 211/5, 17-22, 181.1, 182; 280/293;  
248/176.1, 309.1, 153, 175, 302; D6/462  
See application file for complete search history.

(56) **References Cited**

**U.S. PATENT DOCUMENTS**

3,887,075	A *	6/1975	Harvey	.....	211/5
D301,217	S *	5/1989	Mailhot et al.	.....	D12/115
5,133,461	A *	7/1992	Martinell	.....	211/21
D328,882	S *	8/1992	Martinell	.....	D12/115
D369,576	S *	5/1996	Johnson et al.	.....	D12/115
D401,893	S *	12/1998	Denney	.....	D12/115
6,053,337	A *	4/2000	Venegas, Jr.	.....	211/22
6,257,419	B1 *	7/2001	Kamysiak	.....	211/22
D514,034	S *	1/2006	Richardson	.....	D12/115
D543,906	S *	6/2007	Hoadley et al.	.....	D12/115
D602,403	S *	10/2009	Shaha et al.	.....	D12/115
2006/0266717	A1 *	11/2006	Tsai	.....	211/17

\* cited by examiner

*Primary Examiner*—Susan M Lee

*Assistant Examiner*—Linda G. Brooks

(74) *Attorney, Agent, or Firm*—Schwabe, Williamson & Wyatt, P.C.

(57) **CLAIM**

I claim the ornamental design for a bicycle parking stand, as shown and described.

**DESCRIPTION**

FIG. 1 is a front perspective view of a bicycle parking stand showing the claimed design;

FIG. 2 is a front view of FIG. 1;

FIG. 3 is a rear view of FIG. 1;

FIG. 4 is a left side view of FIG. 1;

FIG. 5 is a right side view of FIG. 1;

FIG. 6 is a top view of FIG. 1;

FIG. 7 is a bottom view of FIG. 1;

FIG. 8 is a front perspective view of a second embodiment of the claimed design;

FIG. 9 is a front view of FIG. 8;

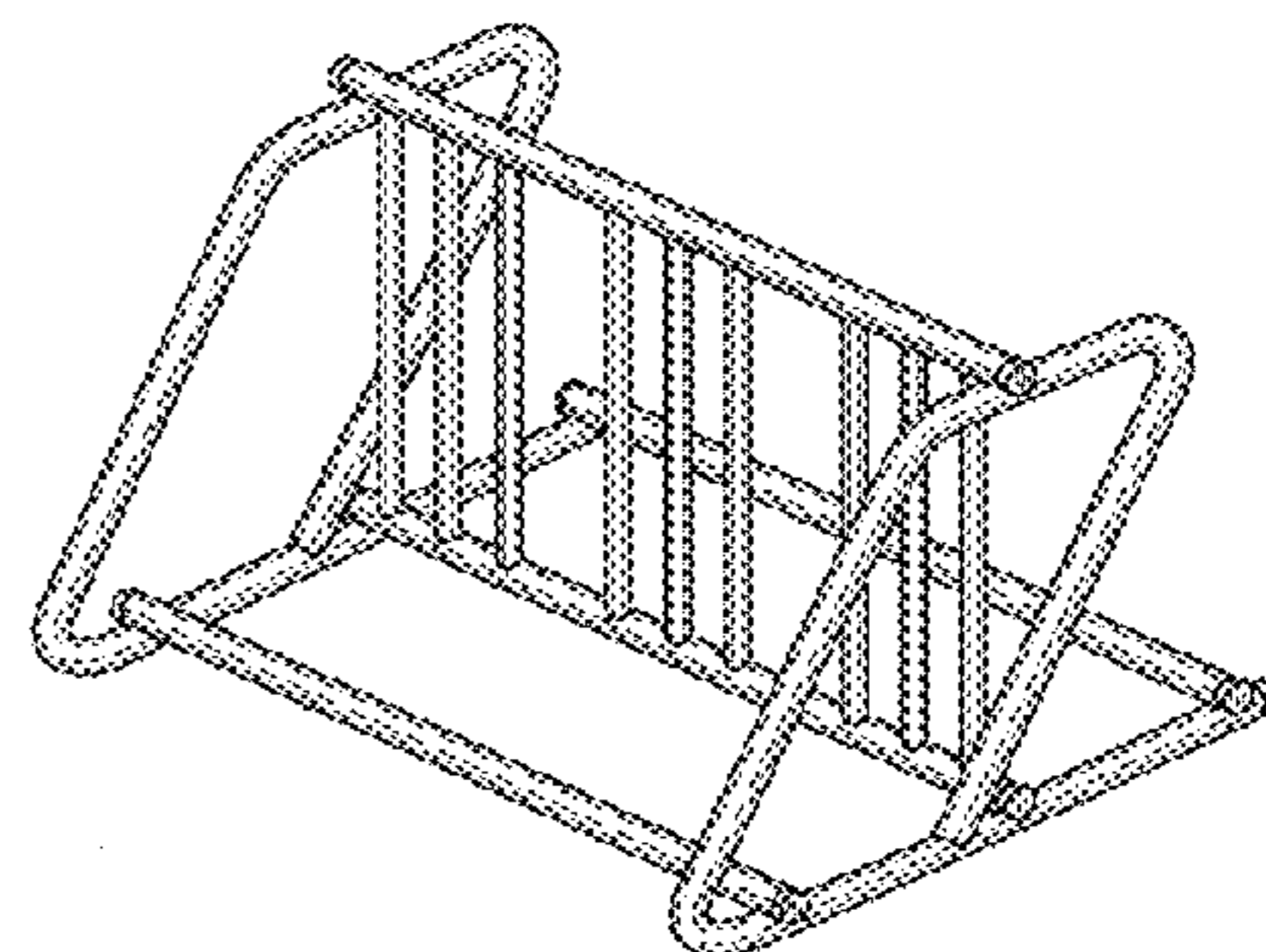
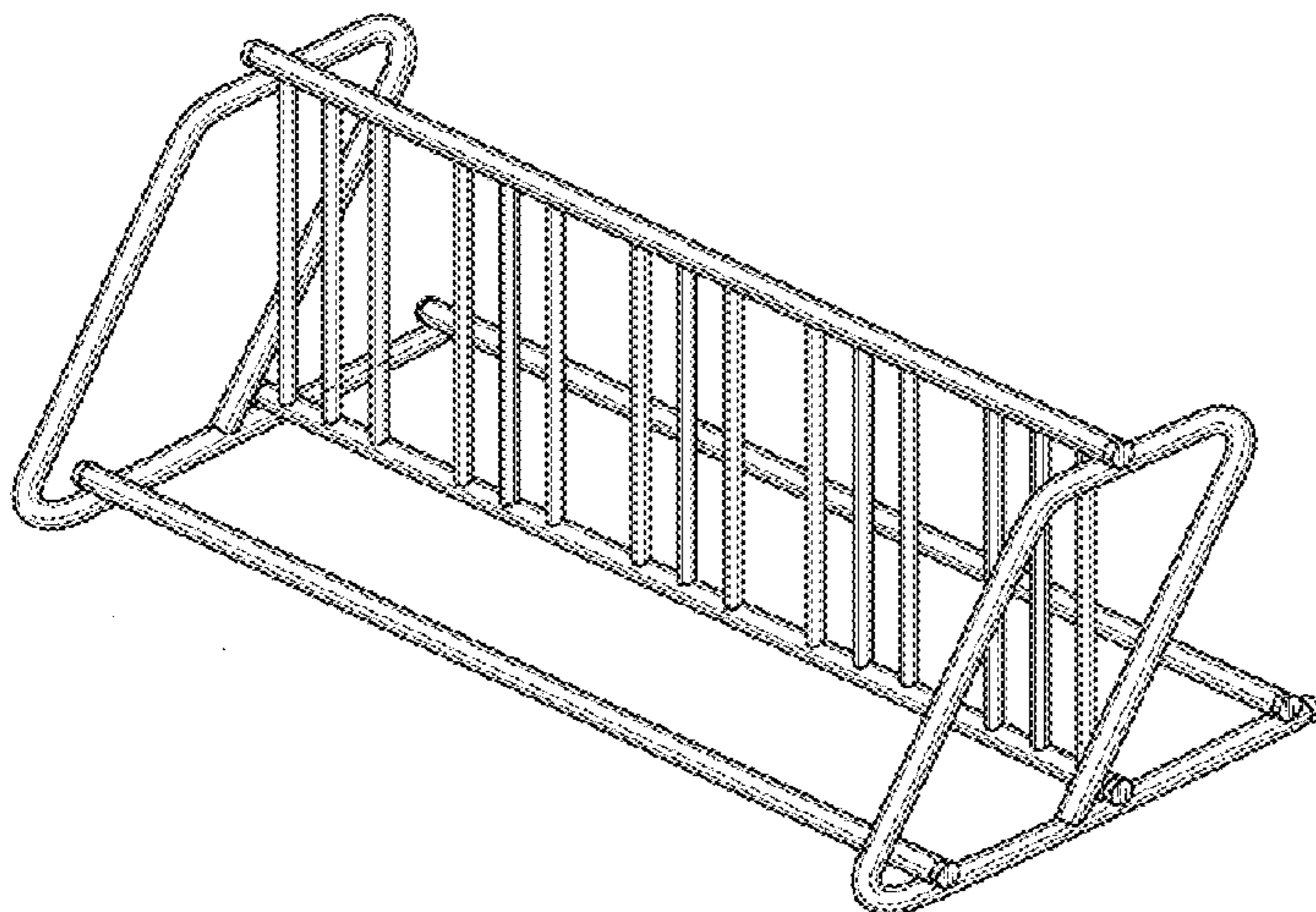
FIG. 10 is a rear view of FIG. 8, and wherein corresponding left and right side views are identical to FIGS. 4 and 5, and corresponding top and bottom views are substantially similar to FIGS. 6 and 7;

FIG. 11 is a front perspective view of a third embodiment of the claimed design;

FIG. 12 is a front view of FIG. 11; and,

FIG. 13 is a rear view of FIG. 11, and wherein corresponding left and right side views are identical to FIGS. 4 and 5, and corresponding top and bottom views are substantially similar to FIGS. 6 and 7.

**1 Claim, 4 Drawing Sheets**



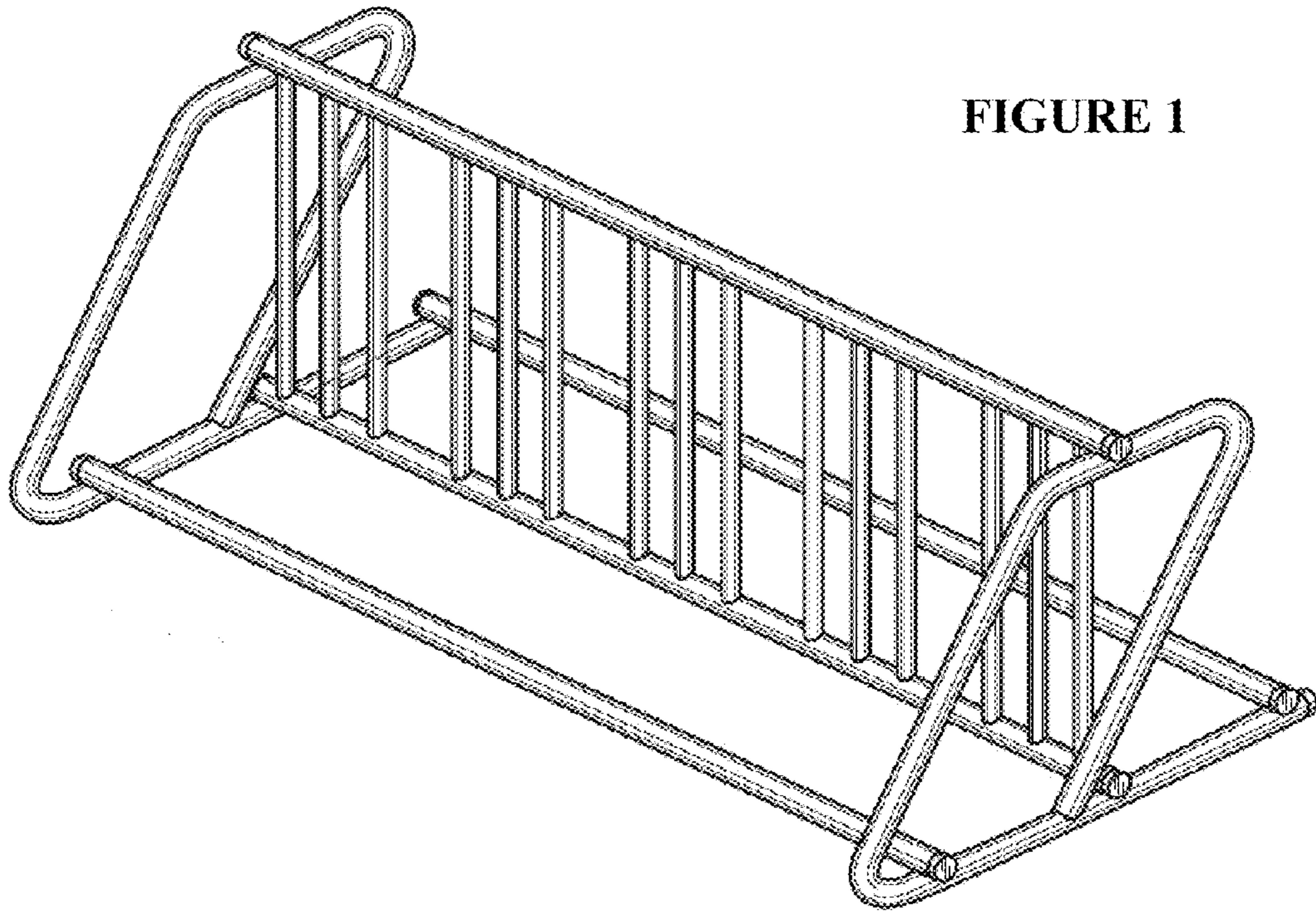


FIGURE 1

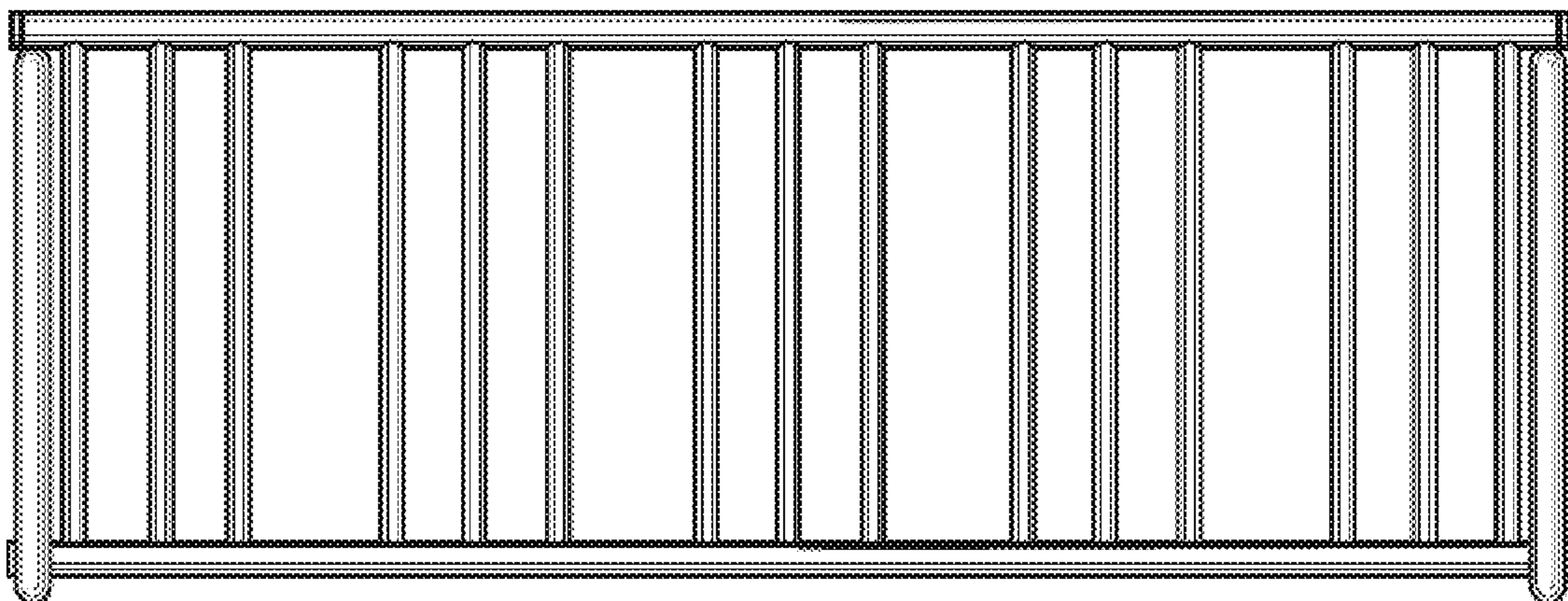


FIGURE 2

FIGURE 3

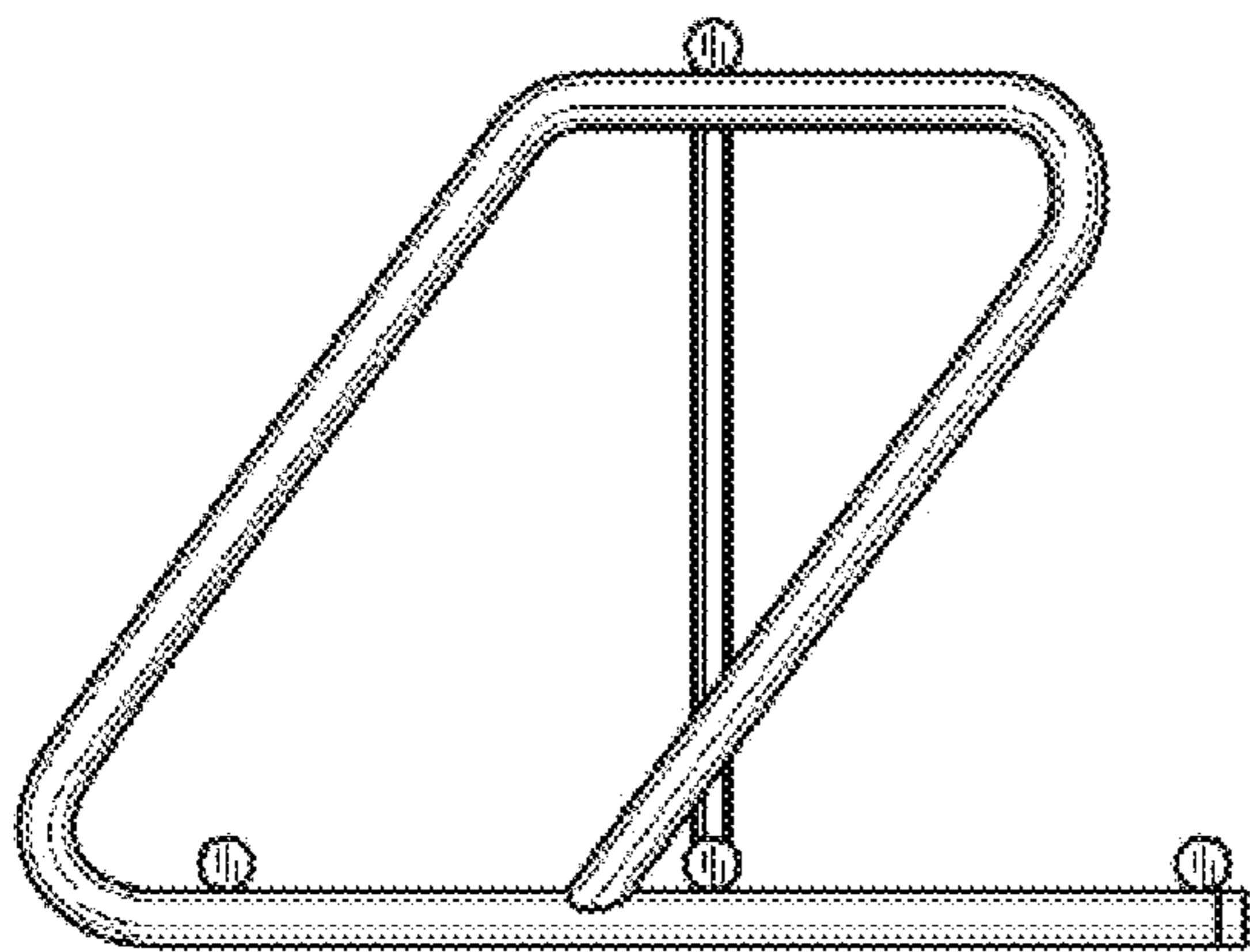
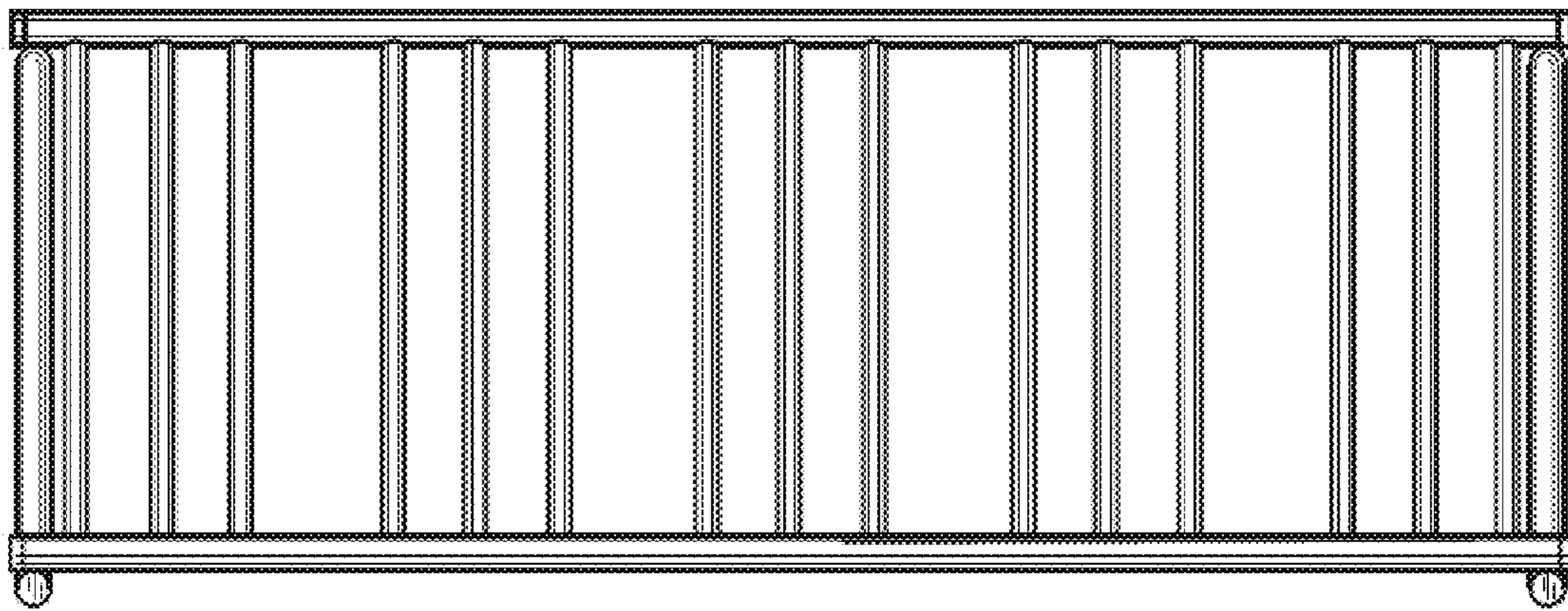


FIGURE 4

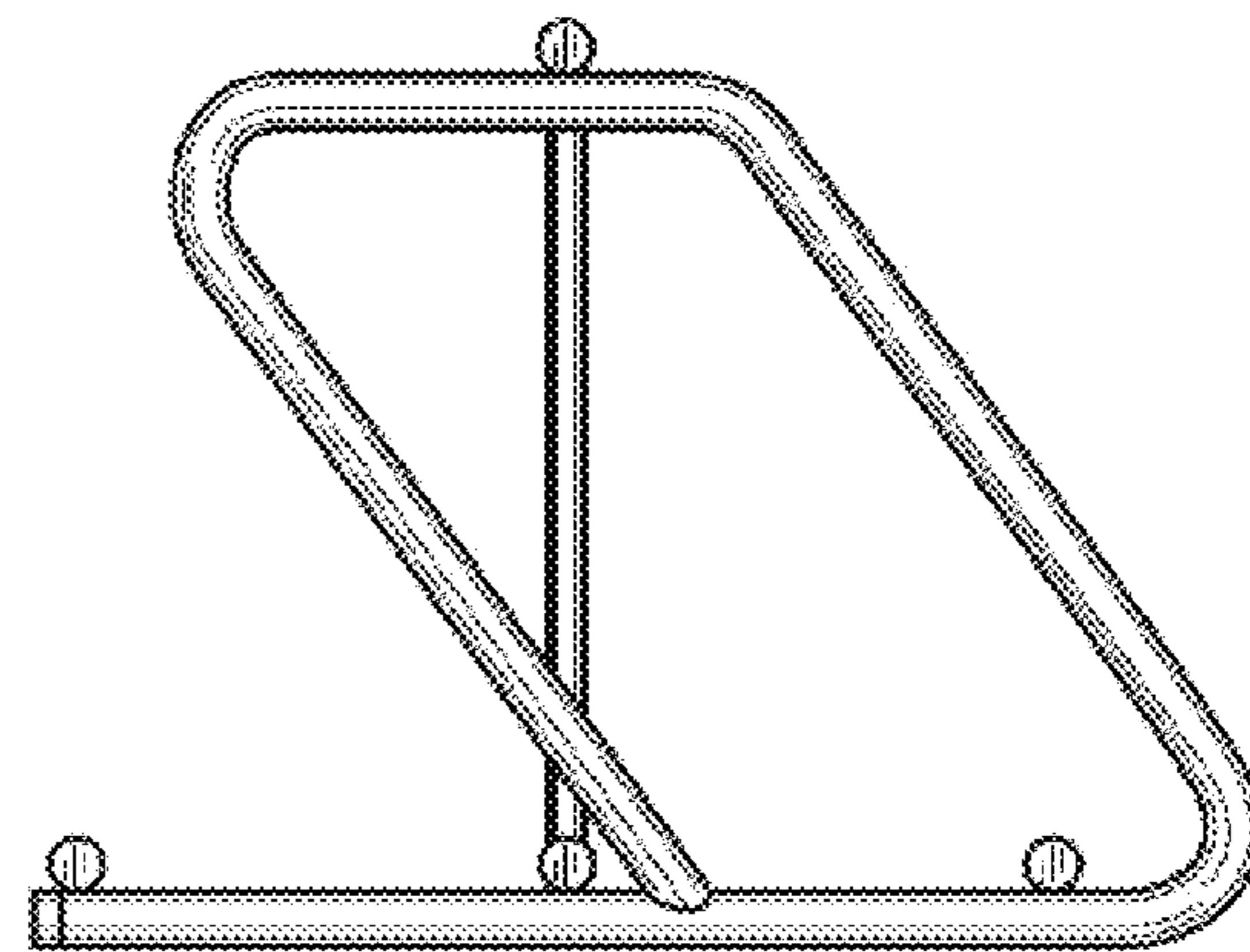


FIGURE 5

FIGURE 6

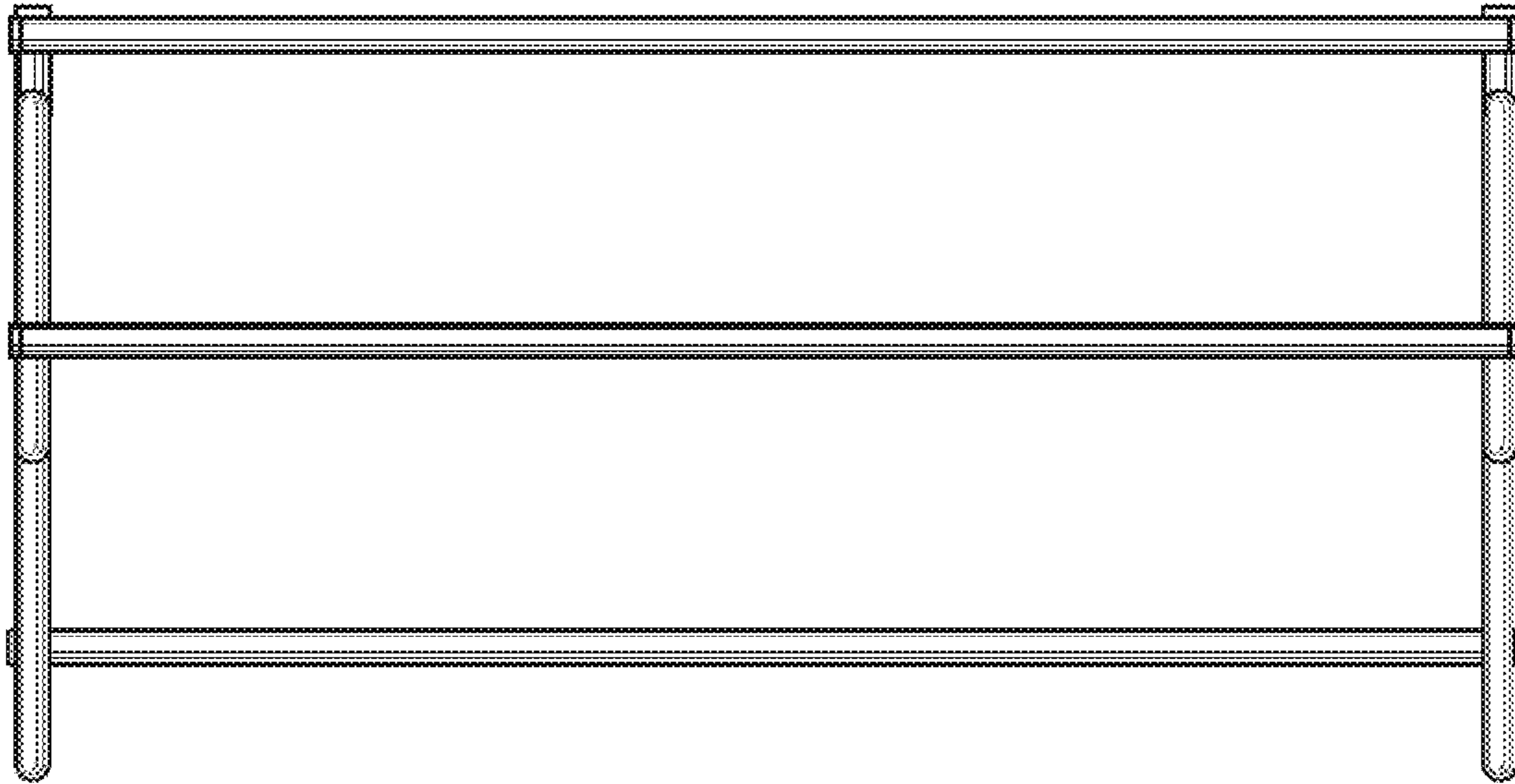


FIGURE 7

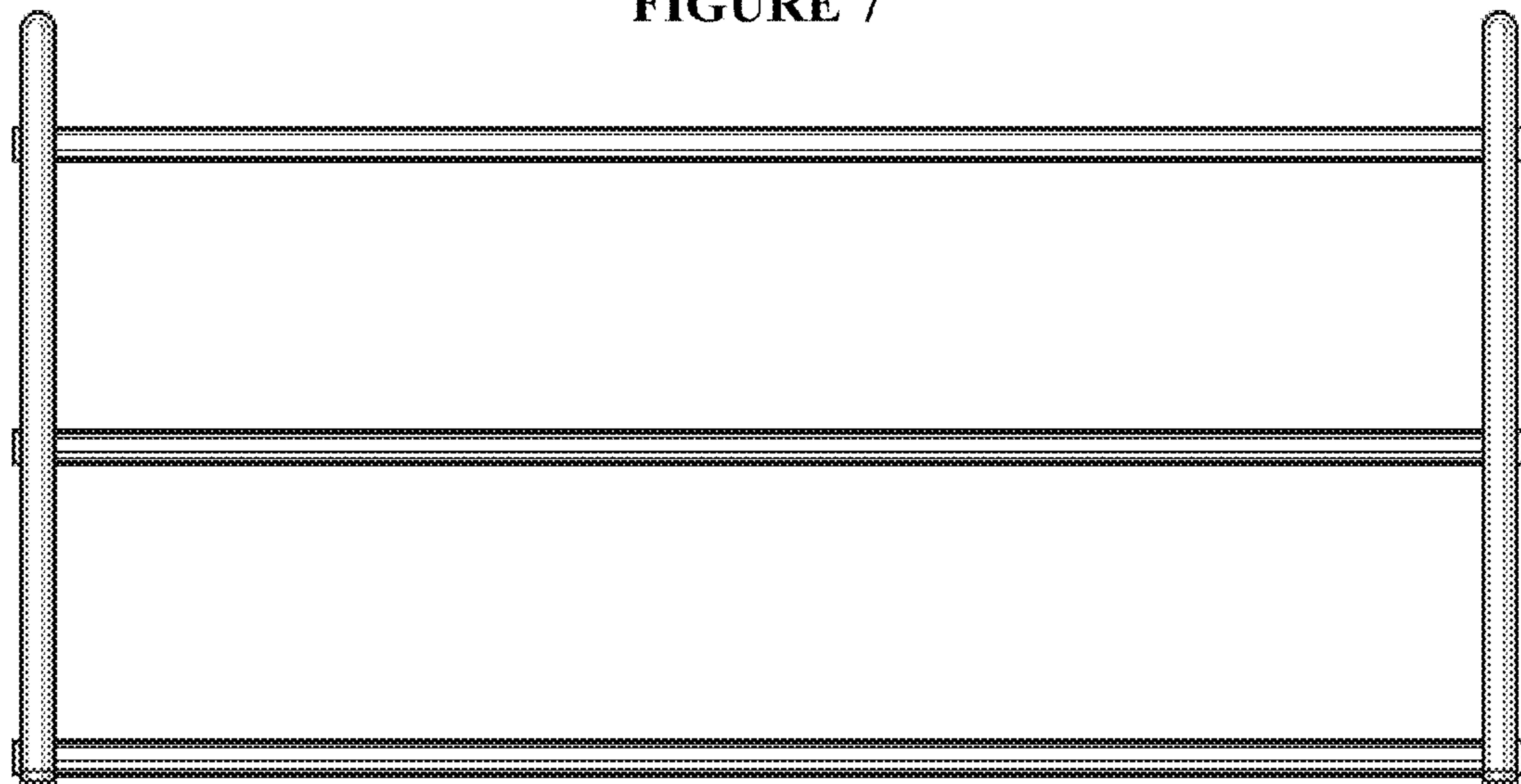


FIGURE 8

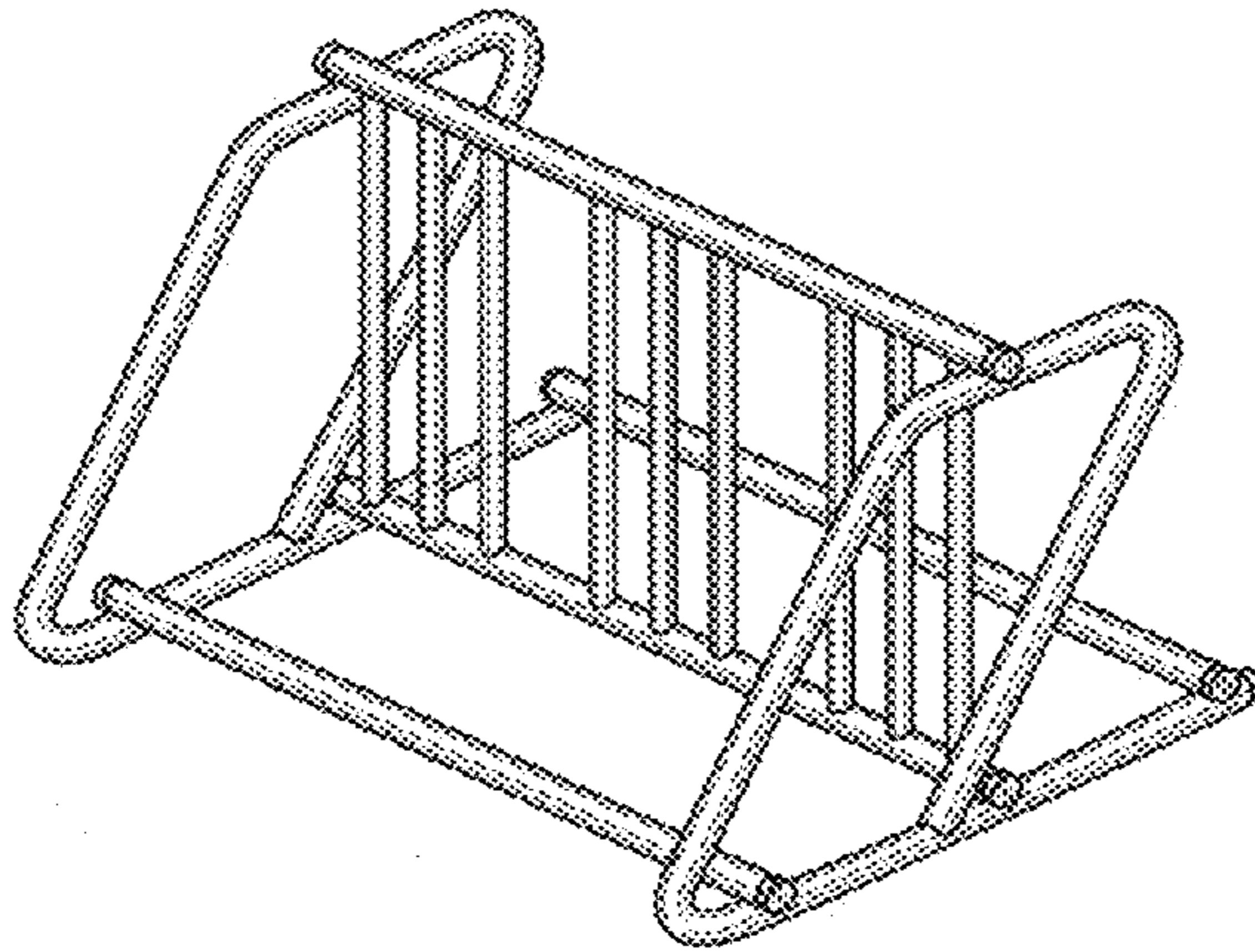


FIGURE 9

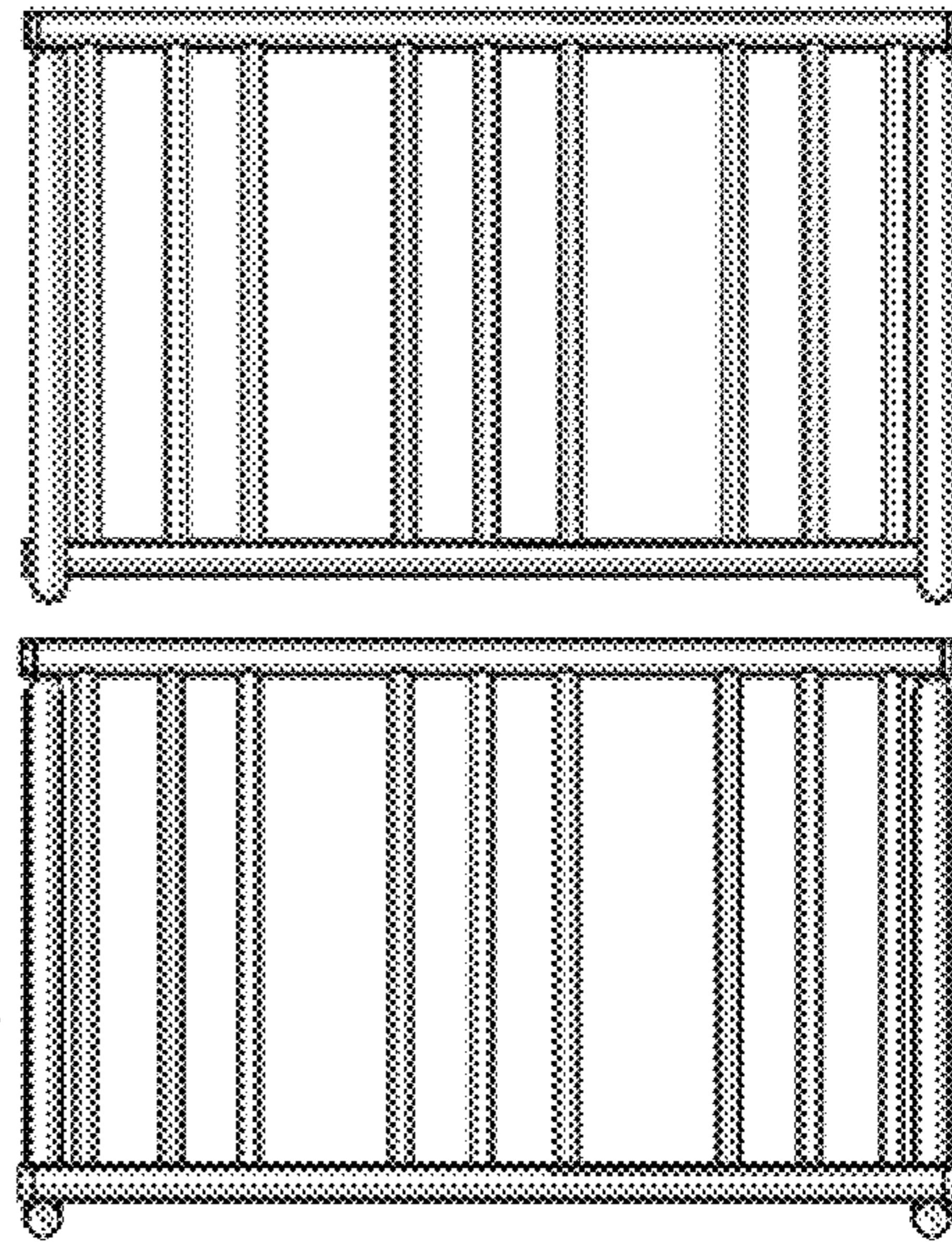


FIGURE 10

FIGURE 11

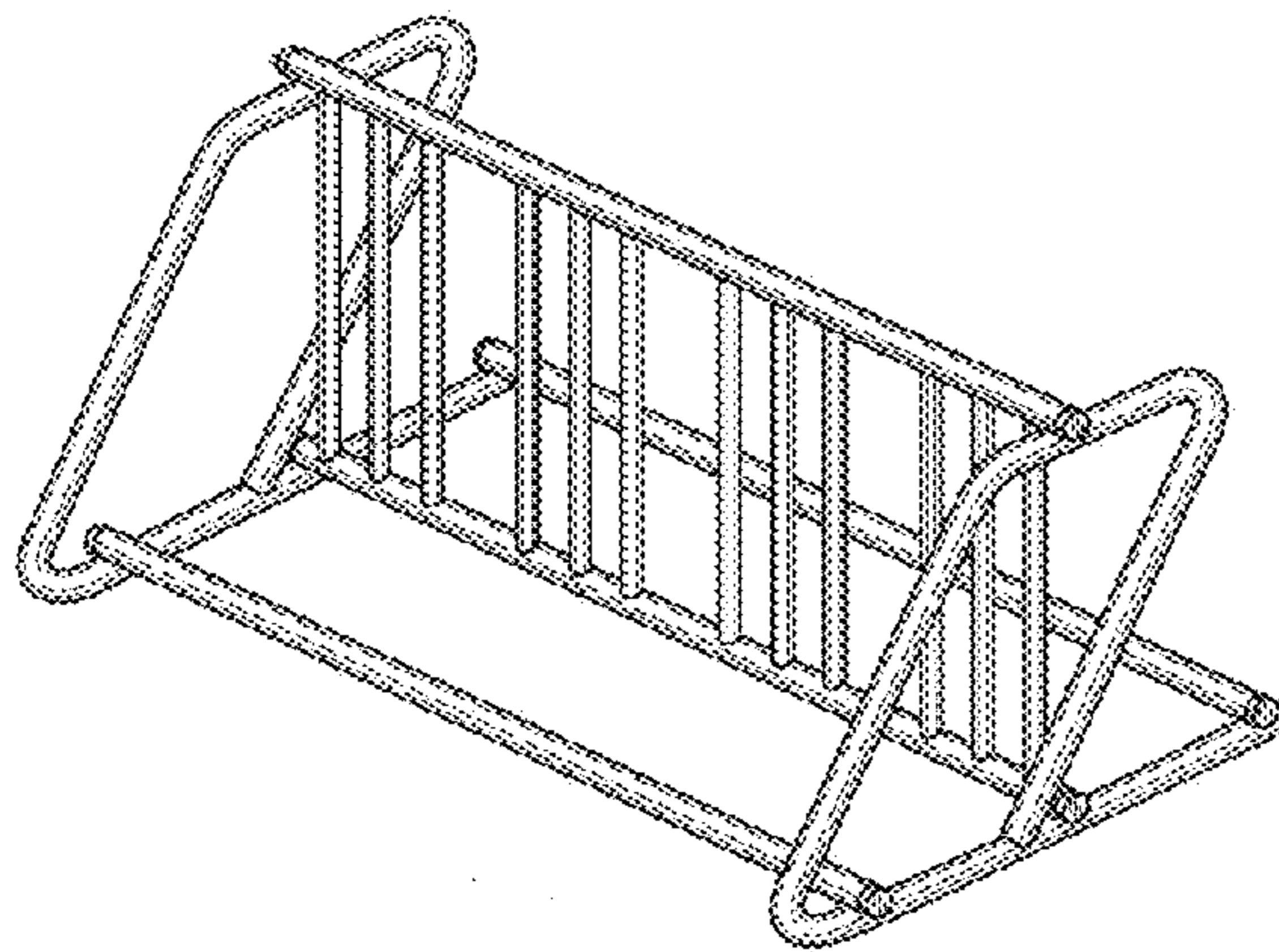


FIGURE 12

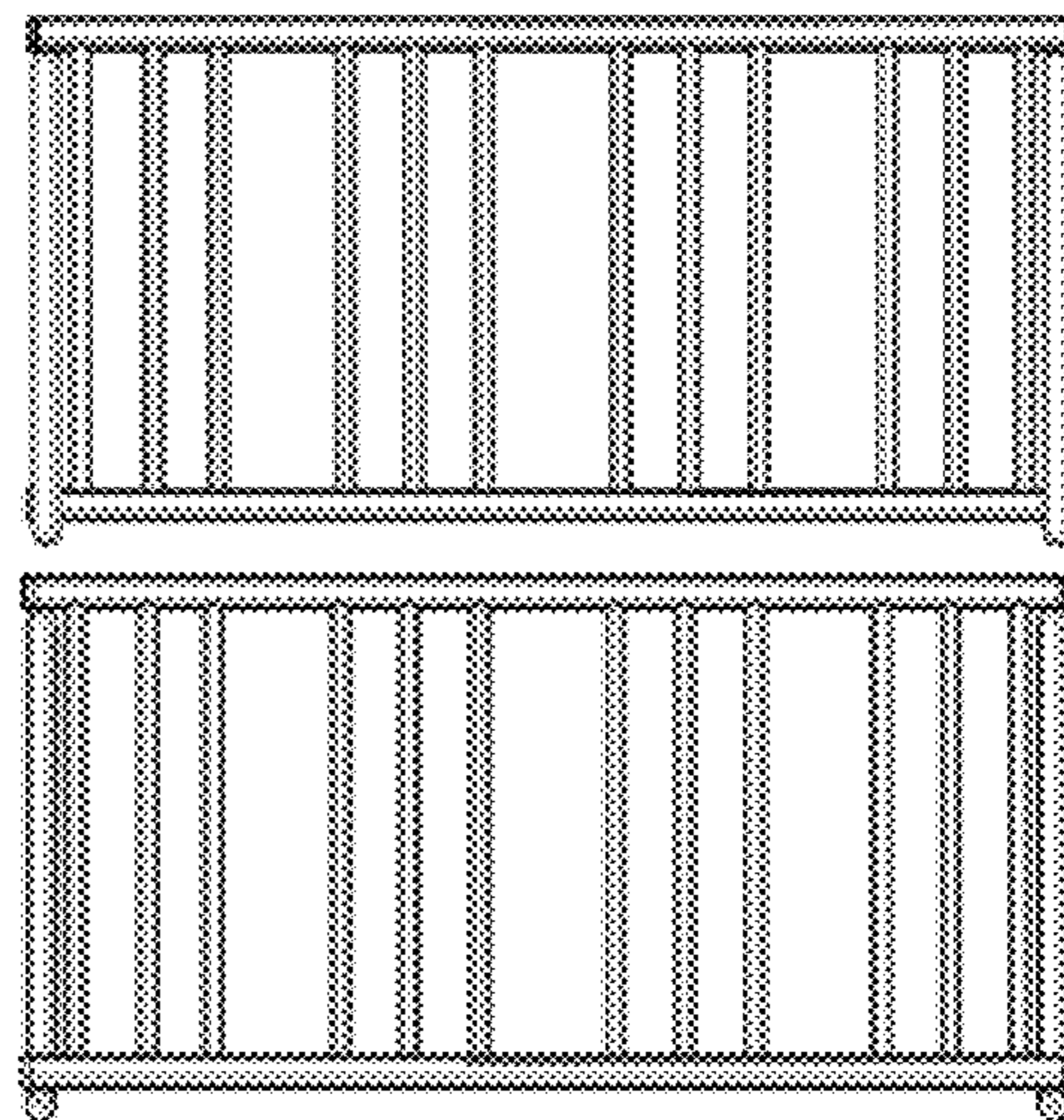


FIGURE 13