



US00D623094S

(12) **United States Design Patent**
Carmona

(10) **Patent No.:** **US D623,094 S**
(45) **Date of Patent:** **** Sep. 7, 2010**

(54) **BICYCLE FRAME**

(76) **Inventor:** **John Carmona**, 121 Ardmore Dr., San Gabriel, CA (US) 91775

(**) **Term:** **14 Years**

(21) **Appl. No.:** **29/343,034**

(22) **Filed:** **Sep. 4, 2009**

Related U.S. Application Data

(63) Continuation-in-part of application No. 29/328,277, filed on Nov. 21, 2008, now abandoned.

(51) **LOC (9) Cl.** **12-11**

(52) **U.S. Cl.** **D12/111**

(58) **Field of Classification Search** D12/111, D12/117, 119; 280/273–280, 283–288, 288.1–288.3, 280/281.1

See application file for complete search history.

(56) **References Cited**

U.S. PATENT DOCUMENTS

5,273,303 A 12/1993 Hornzee-Jones

D368,678 S 4/1996 Wilcox et al.
D369,330 S 4/1996 Hill et al.
D389,787 S 1/1998 Zeigle et al.
D398,266 S 9/1998 Colegrove et al.
D419,492 S 1/2000 Egger et al.

Primary Examiner—Susan M Lee

Assistant Examiner—Linda G. Brooks

(74) *Attorney, Agent, or Firm*—Mark E. Hankin; Kevin Schraven; Hankin Patent Law, APC

(57) **CLAIM**

The ornamental design for a bicycle frame, as shown and described.

DESCRIPTION

FIG. 1 is a perspective back, top, and side view of the bicycle frame.

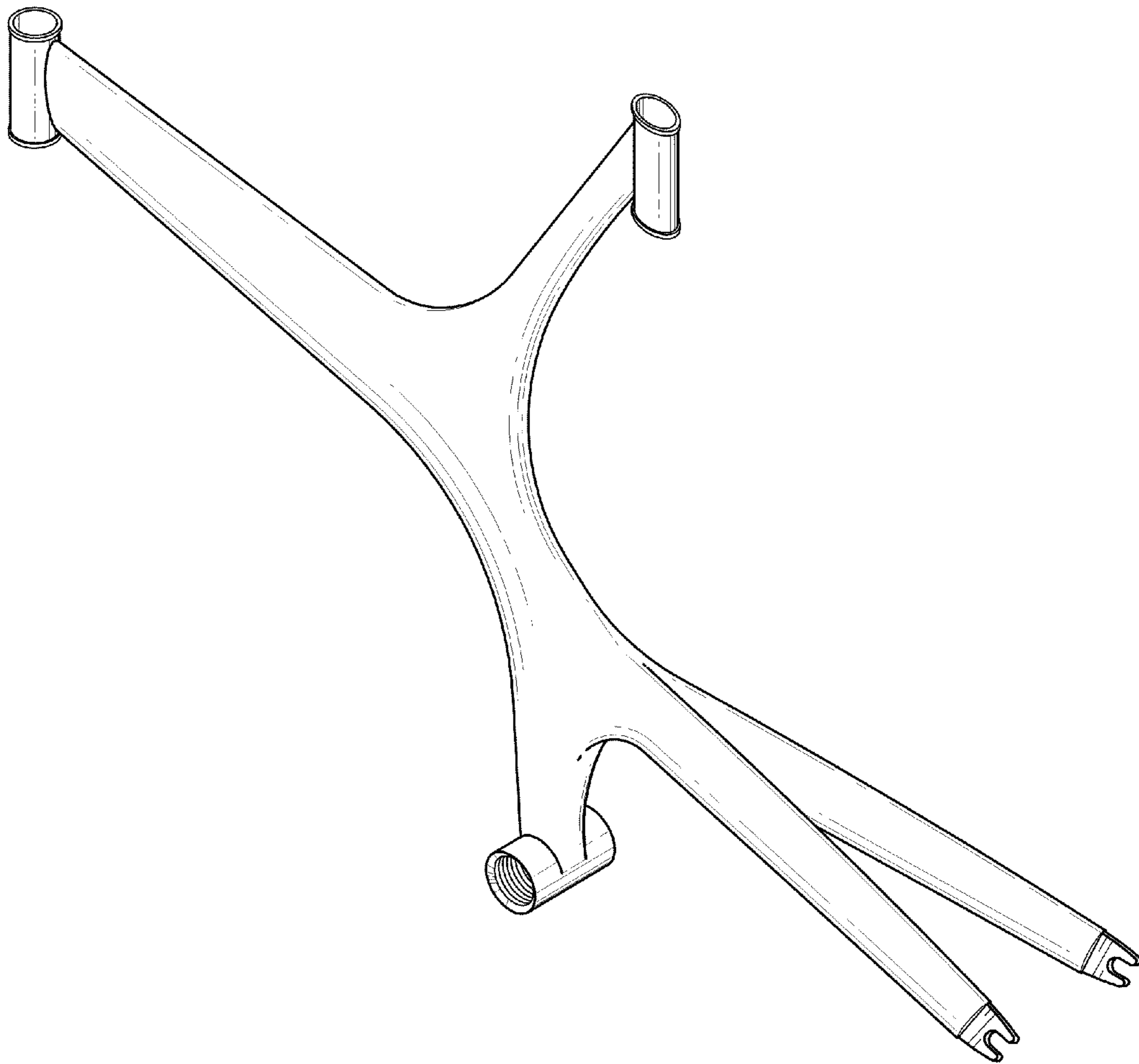
FIG. 2 is a side view of the bicycle frame.

FIG. 3 is a front view of the bicycle frame.

FIG. 4 is a rear view of the bicycle frame; and,

FIG. 5 is a top view of the bicycle frame.

1 Claim, 4 Drawing Sheets



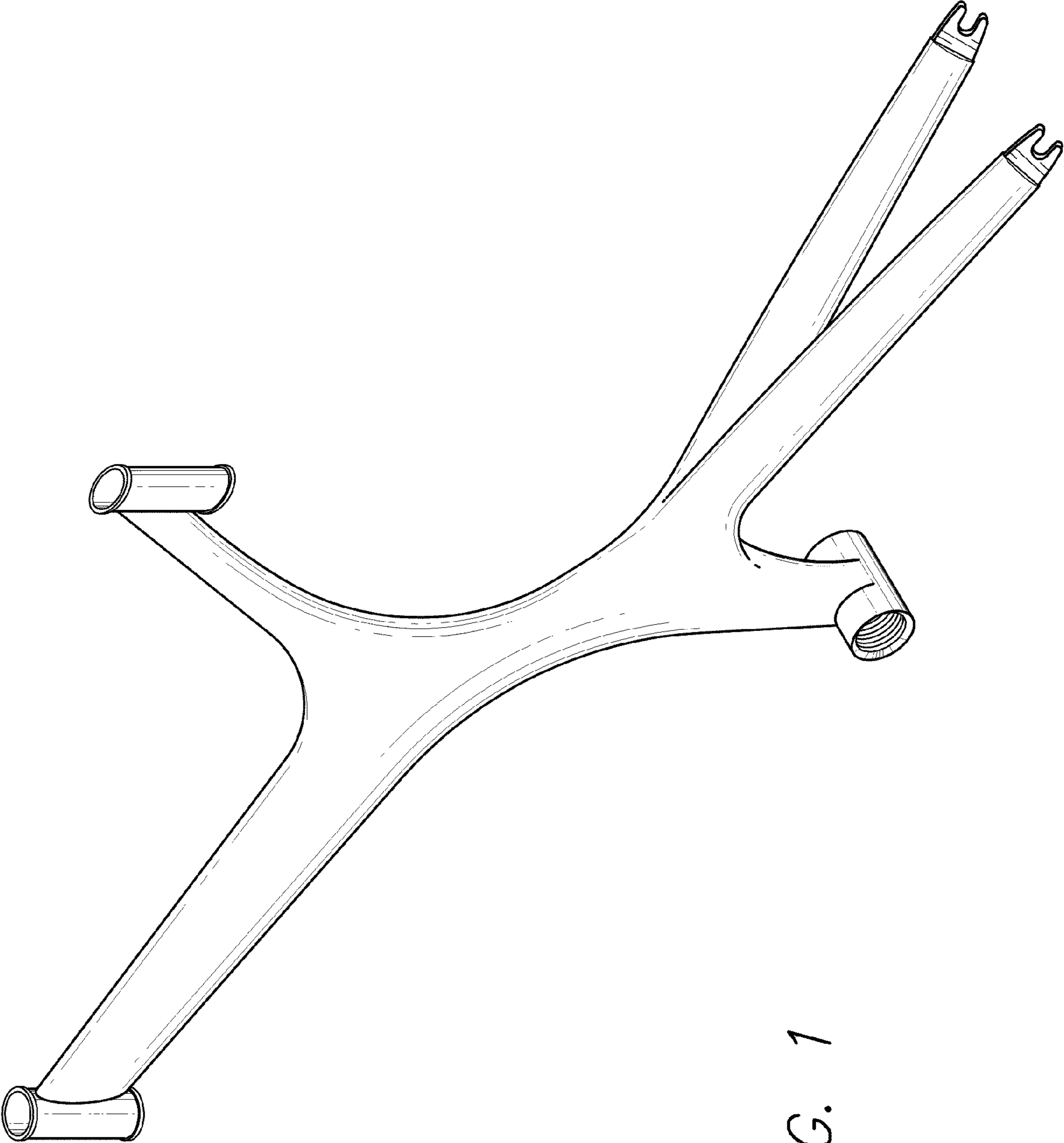


FIG. 1

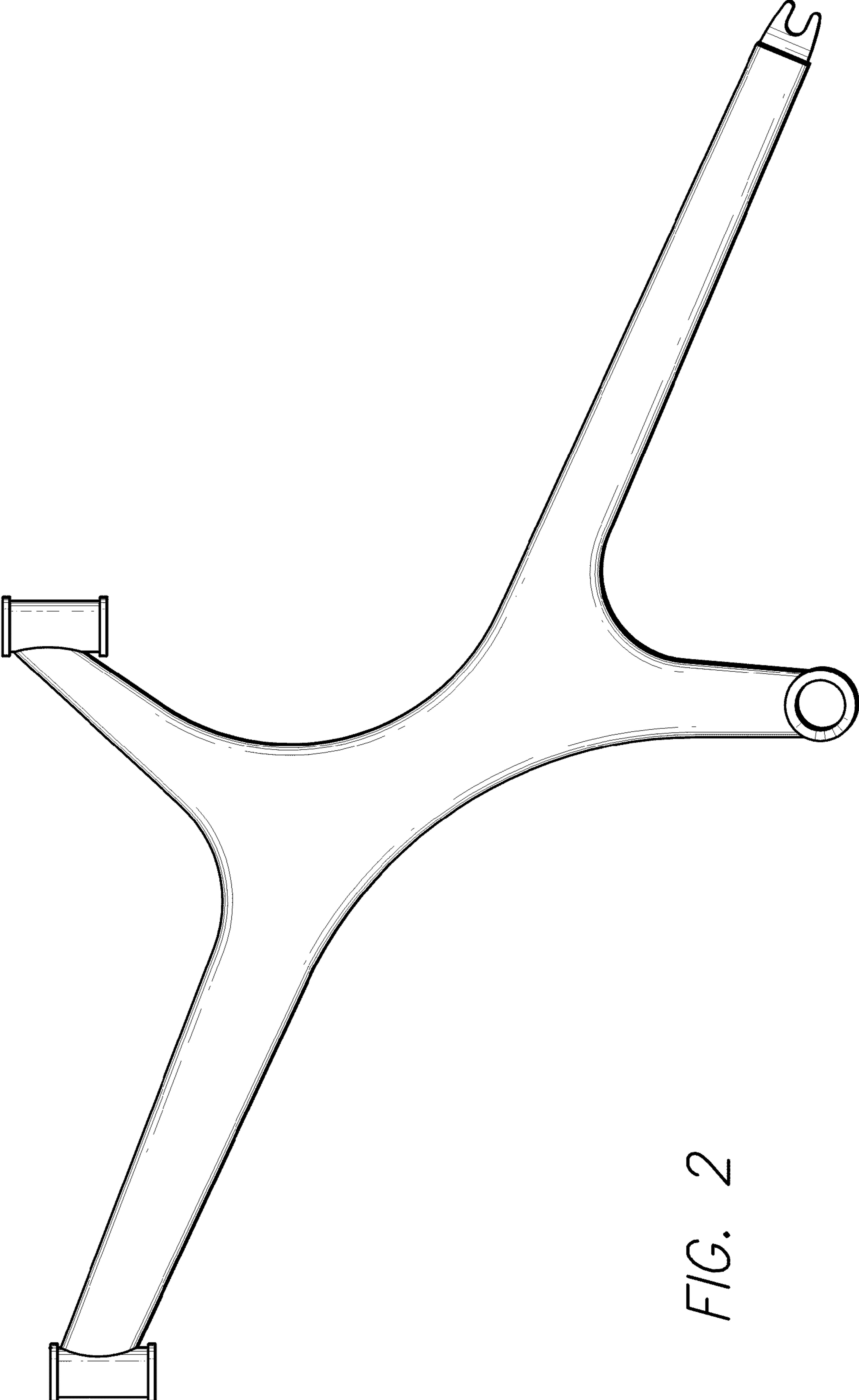


FIG. 2

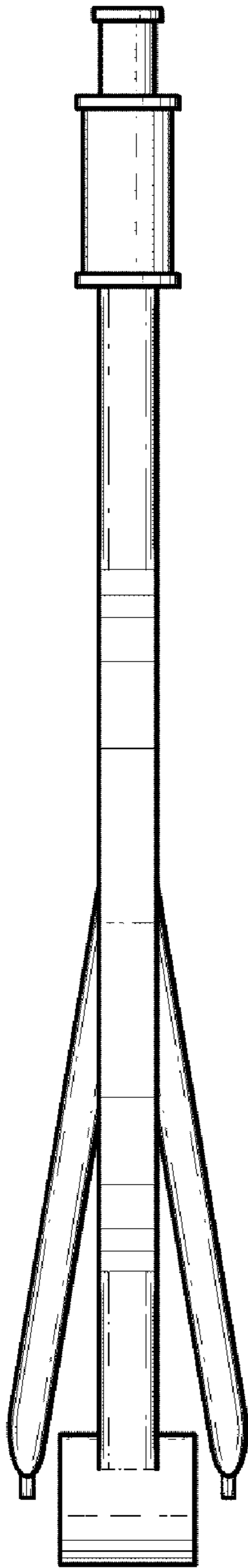


FIG. 3

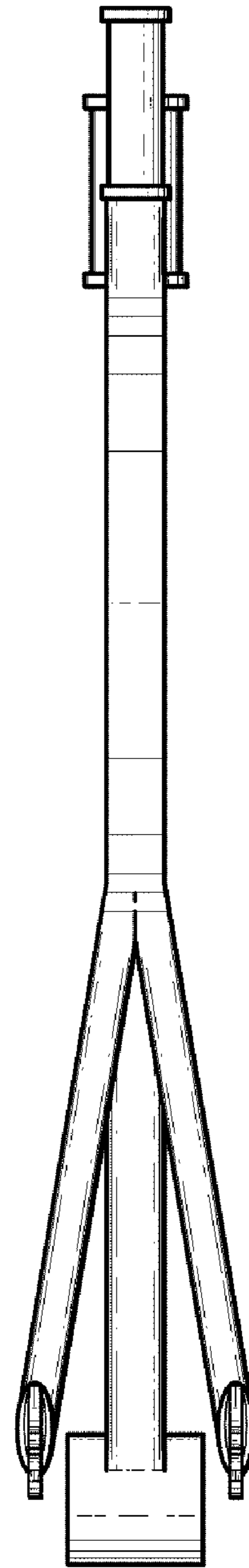


FIG. 4

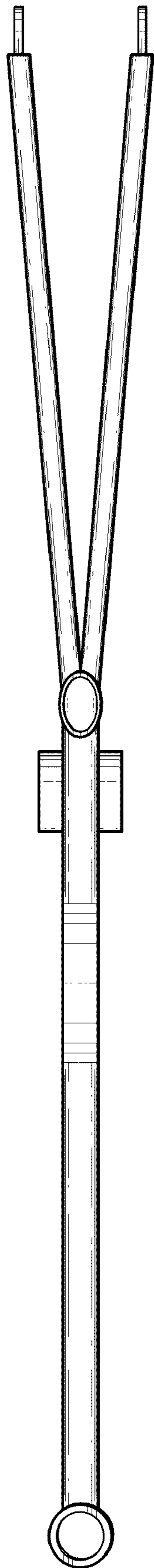


FIG. 5