



US00D623090S

(12) **United States Design Patent**
Cox et al.

(10) **Patent No.:** **US D623,090 S**

(45) **Date of Patent:** **** Sep. 7, 2010**

(54) **VEHICLE BODY**

D605,082 S * 12/2009 Munson D12/86
D605,083 S * 12/2009 Manoogian et al. D12/86

(75) Inventors: **Simon Cox**, Henley-in-Arden (GB);
Dale P. Grewer, Rugby (GB); **Brian J. Smith**, Farmington Hills, MI (US);
Robin Krieg, Royal Oak, MI (US)

* cited by examiner

Primary Examiner—Melody N Brown
(74) *Attorney, Agent, or Firm*—Reising Ethington P.C.

(73) Assignee: **GM Global Technology Operations, Inc.**, Detroit, MI (US)

(57) **CLAIM**

The ornamental design for a vehicle body, as shown and described.

(**) Term: **14 Years**

(21) Appl. No.: **29/353,978**

DESCRIPTION

(22) Filed: **Jan. 18, 2010**

FIG. 1 is a front view of a vehicle body showing the new design;

(51) **LOC (9) Cl.** **12-08**

FIG. 2 is a left front perspective view thereof;

(52) **U.S. Cl.** **D12/92**

FIG. 3 is a left side view thereof, the right side being a mirror image thereof;

(58) **Field of Classification Search** D12/86,
D12/90-92; D21/424, 433, 434; 296/181.1,
296/181.5

FIG. 4 is a left rear perspective view thereof; and,

See application file for complete search history.

FIG. 5 is a rear view thereof.

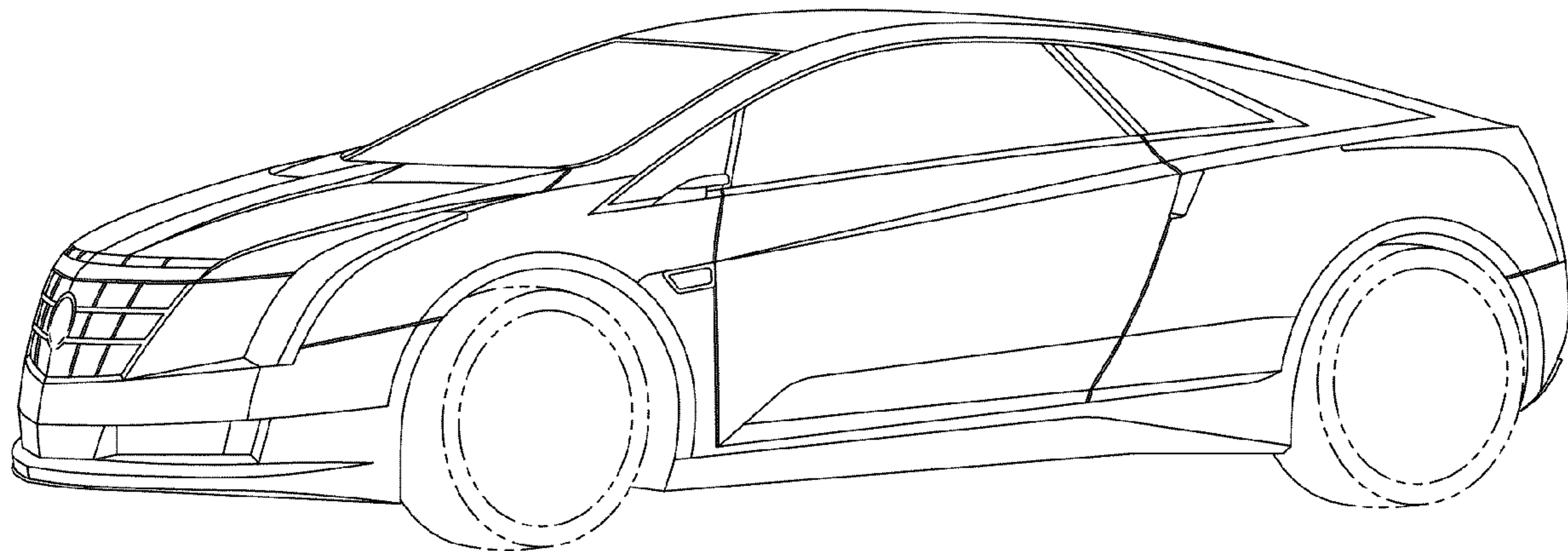
(56) **References Cited**

In the drawings, the elements shown in broken lines are for illustrative purposes only and form no part of the claimed design.

U.S. PATENT DOCUMENTS

D592,550 S * 5/2009 Lawlis D12/91
D592,551 S * 5/2009 Manoogian et al. D12/91

1 Claim, 5 Drawing Sheets



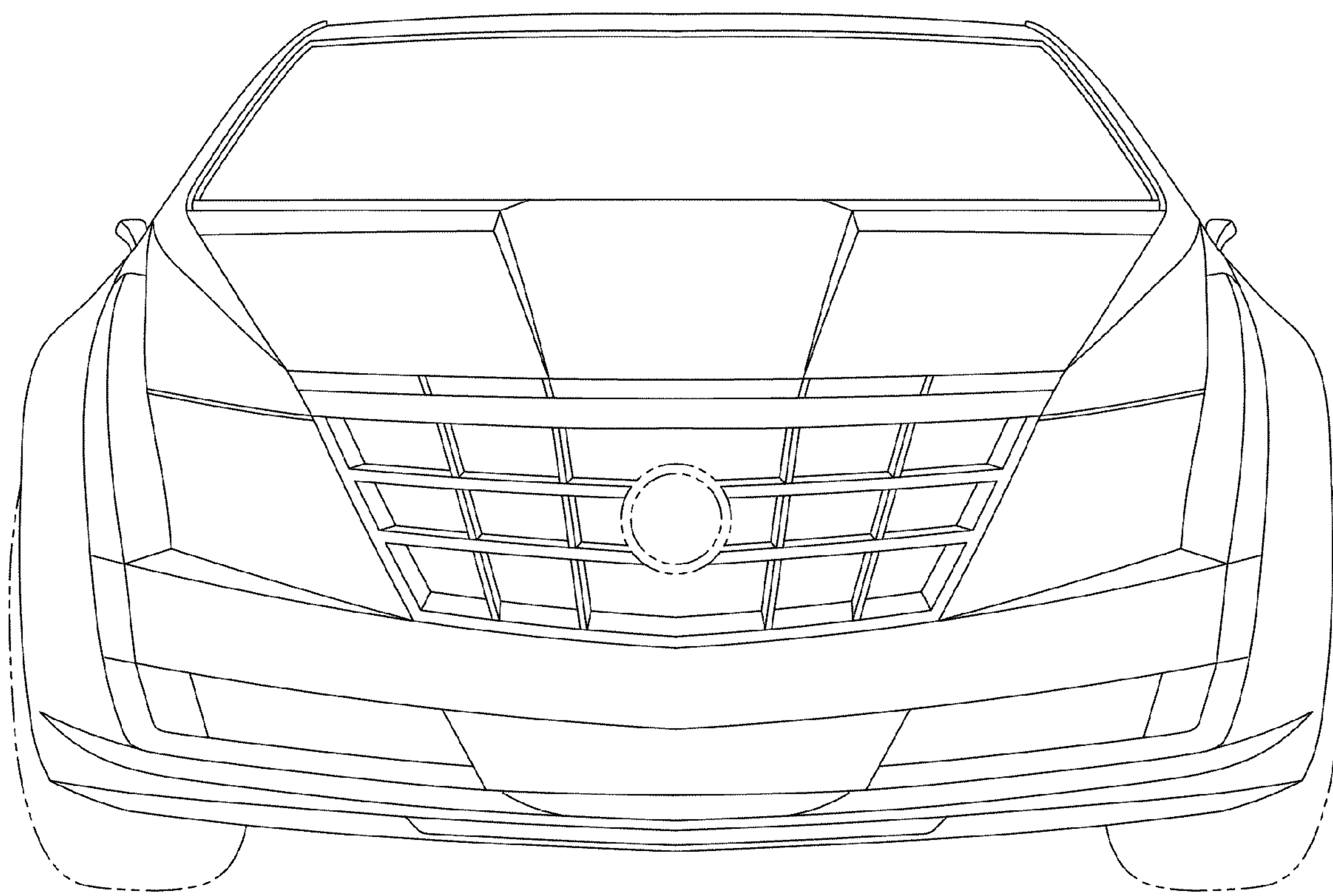


Fig-1

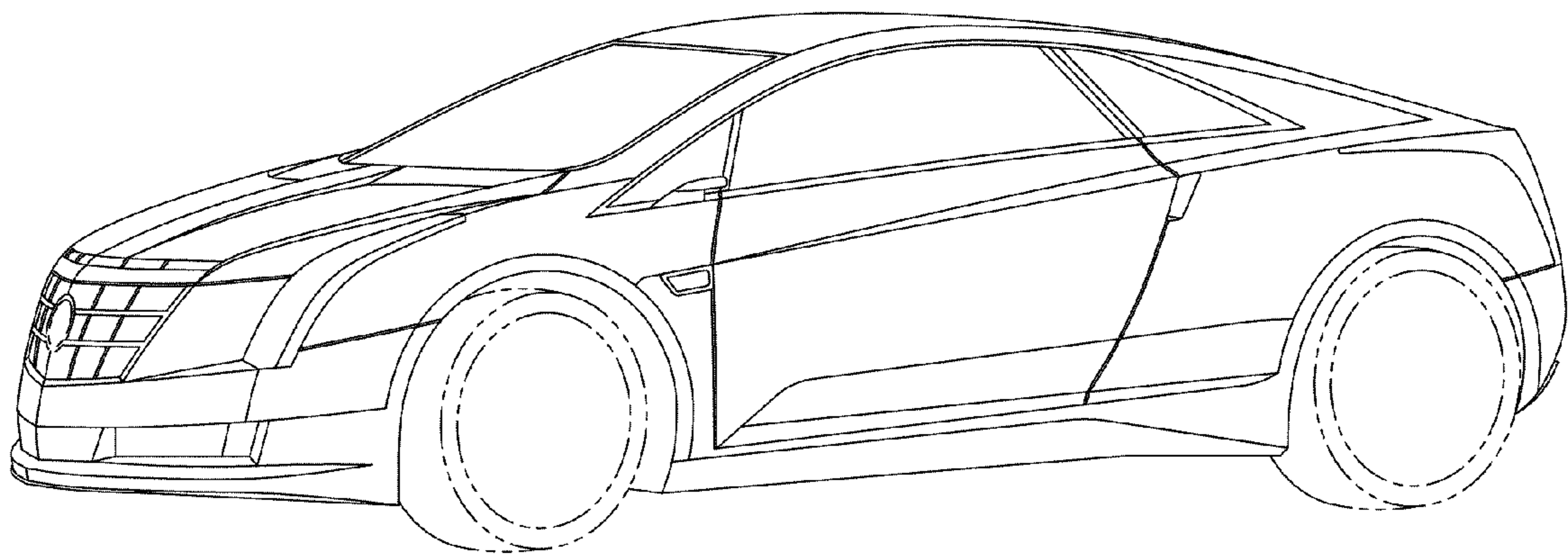


Fig-2

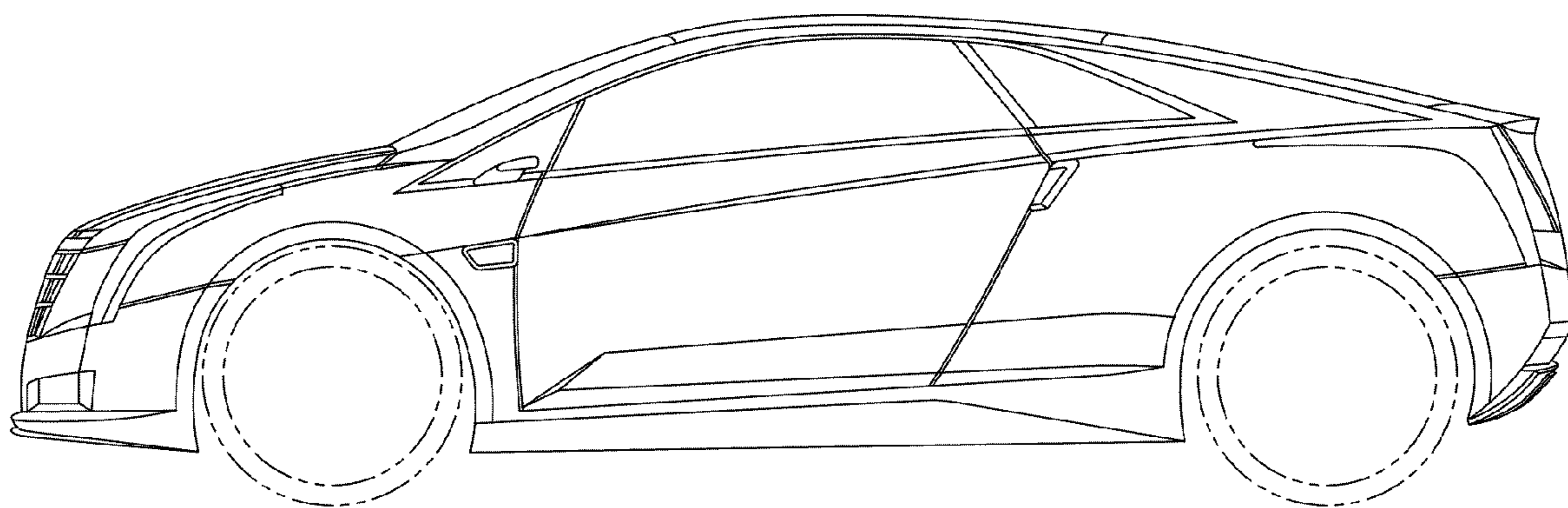


Fig-3

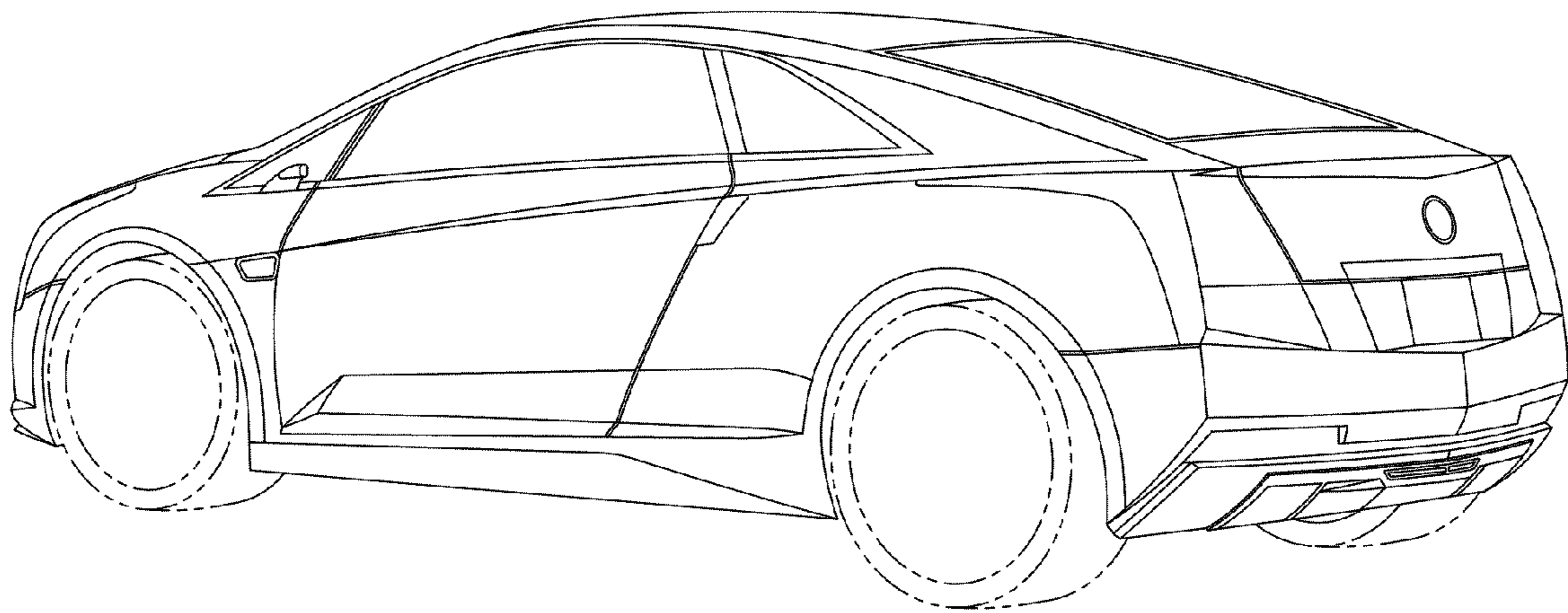


Fig-4

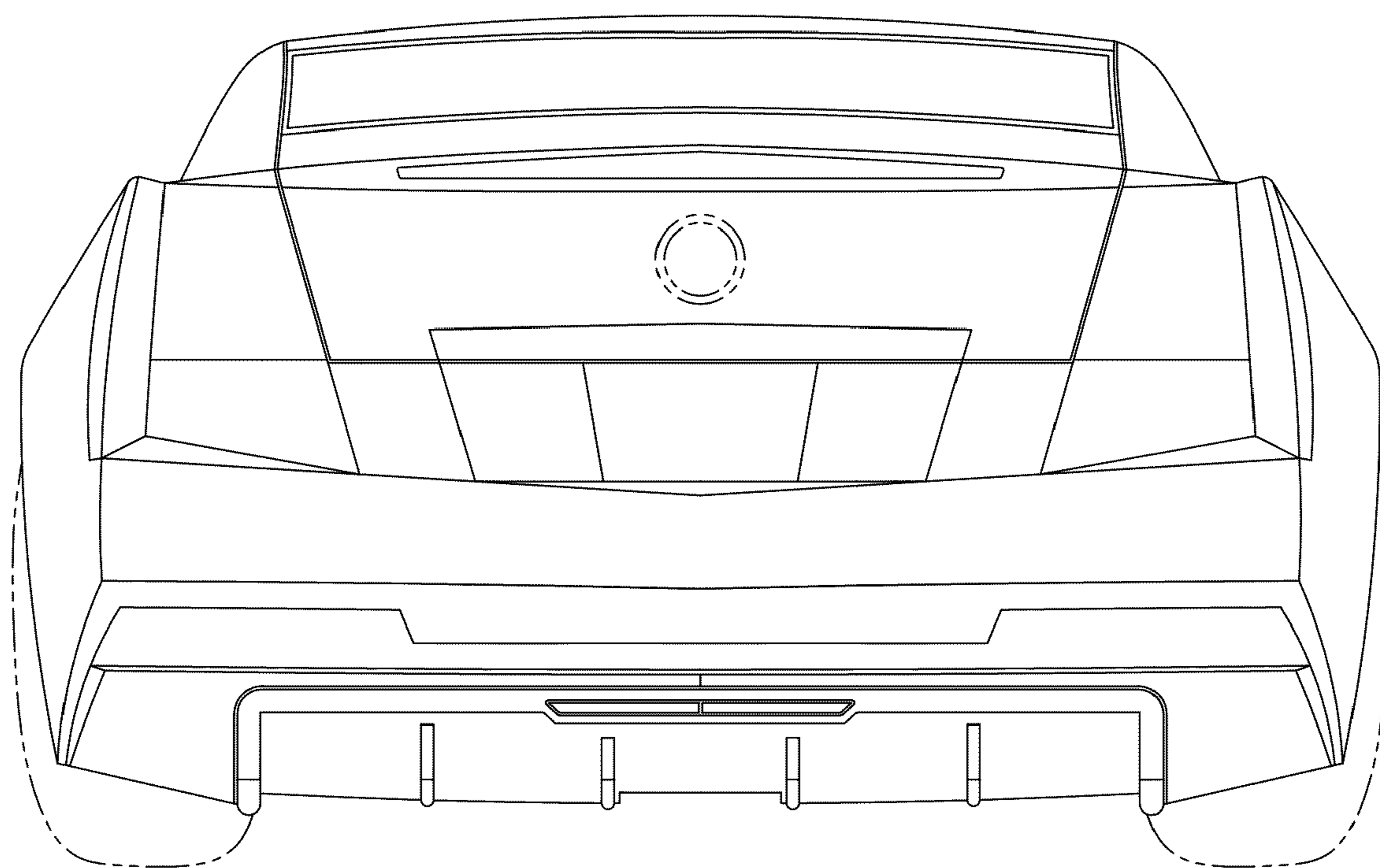


Fig-5