



US00D623088S

(12) **United States Design Patent**
Schiebl

(10) **Patent No.:** **US D623,088 S**

(45) **Date of Patent:** **** Sep. 7, 2010**

(54) **SNAP**

(76) **Inventor:** **Paul Schiebl**, 10200 Hempstead Hwy.,
Suite 2J, Houston, TX (US) 77092

(**) **Term:** **14 Years**

(21) **Appl. No.:** **29/355,706**

(22) **Filed:** **Feb. 12, 2010**

(51) **LOC (9) Cl.** **02-07**

(52) **U.S. Cl.** **D11/220**

(58) **Field of Classification Search** D11/220,
D11/212, 216, 218, 231, 303; D8/32; 24/113 R,
24/113 MP, 114.9, 662-681, 623, 993-995,
24/303, 682.1; 2/139, 156, 268, 323, 336
See application file for complete search history.

(56) **References Cited**

U.S. PATENT DOCUMENTS

1,889,322	A *	11/1932	Reiter	24/324
2,084,412	A *	6/1937	Schaefer	24/186
3,237,257	A *	3/1966	Forsberg	24/324
D301,566	S *	6/1989	Heiberger	D11/220
5,259,096	A *	11/1993	Grant	24/324
D352,678	S *	11/1994	Fildan	D11/212
D386,124	S *	11/1997	Anscher	D11/216
6,497,012	B2 *	12/2002	Ide et al.	24/324
6,532,632	B1 *	3/2003	Halstead	24/198

D486,093	S *	2/2004	Tobergte	D11/218
D502,891	S *	3/2005	Yoshiguchi	D11/220
D539,698	S *	4/2007	Choi	D11/220
7,475,453	B2 *	1/2009	Drake et al.	24/324
D608,688	S *	1/2010	Dalzell et al.	D11/200

* cited by examiner

Primary Examiner—T. Chase Nelson

Assistant Examiner—Mark Cavanna

(74) *Attorney, Agent, or Firm*—Egbert Law Offices PLLC

(57) **CLAIM**

The ornamental design for a snap, as shown and described.

DESCRIPTION

FIG. 1 is an upper perspective view of the snap showing my design.

FIG. 2 is a top plan view thereof;

FIG. 3 is a bottom plan view thereof;

FIG. 4 is a side elevation view thereof;

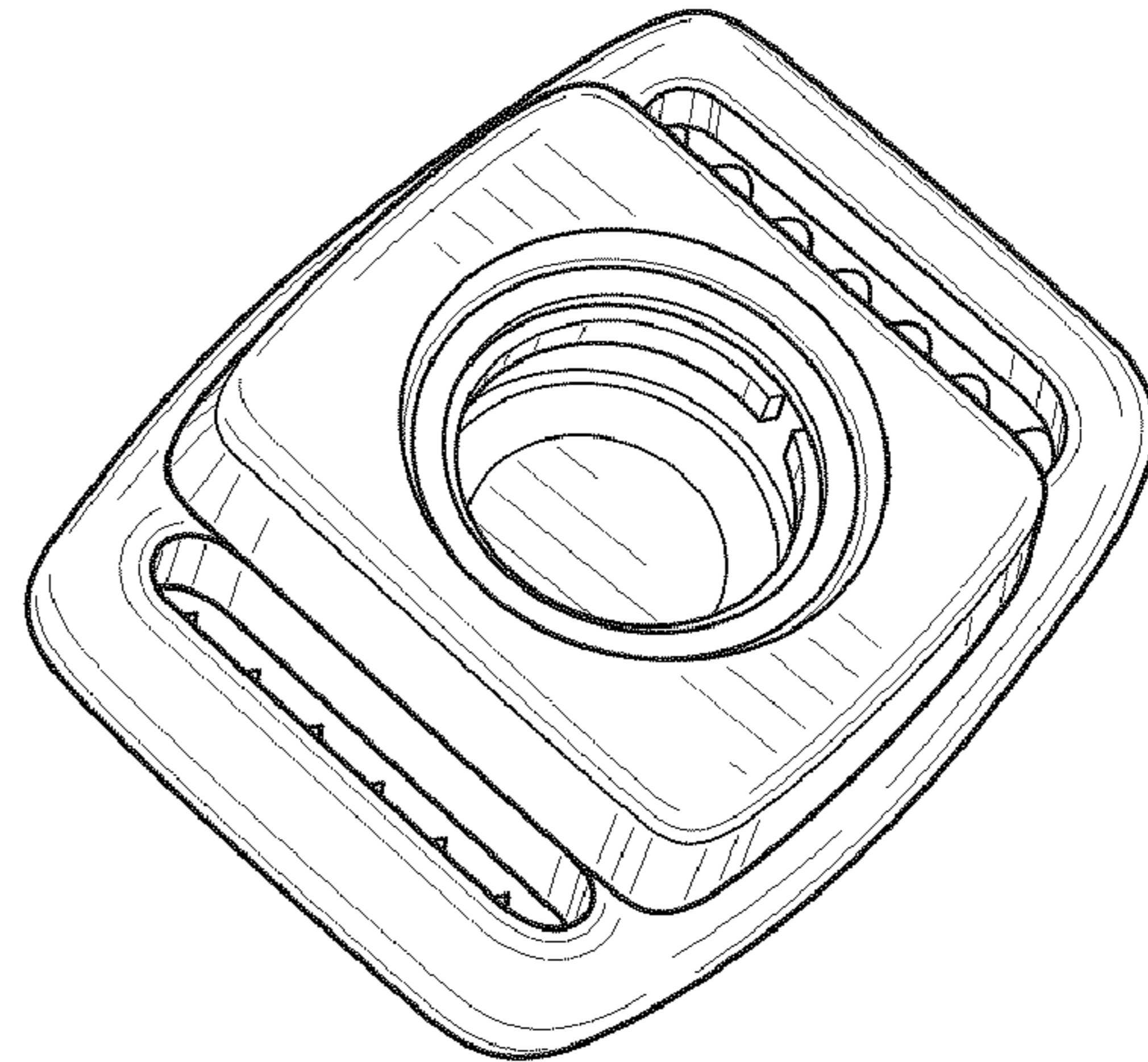
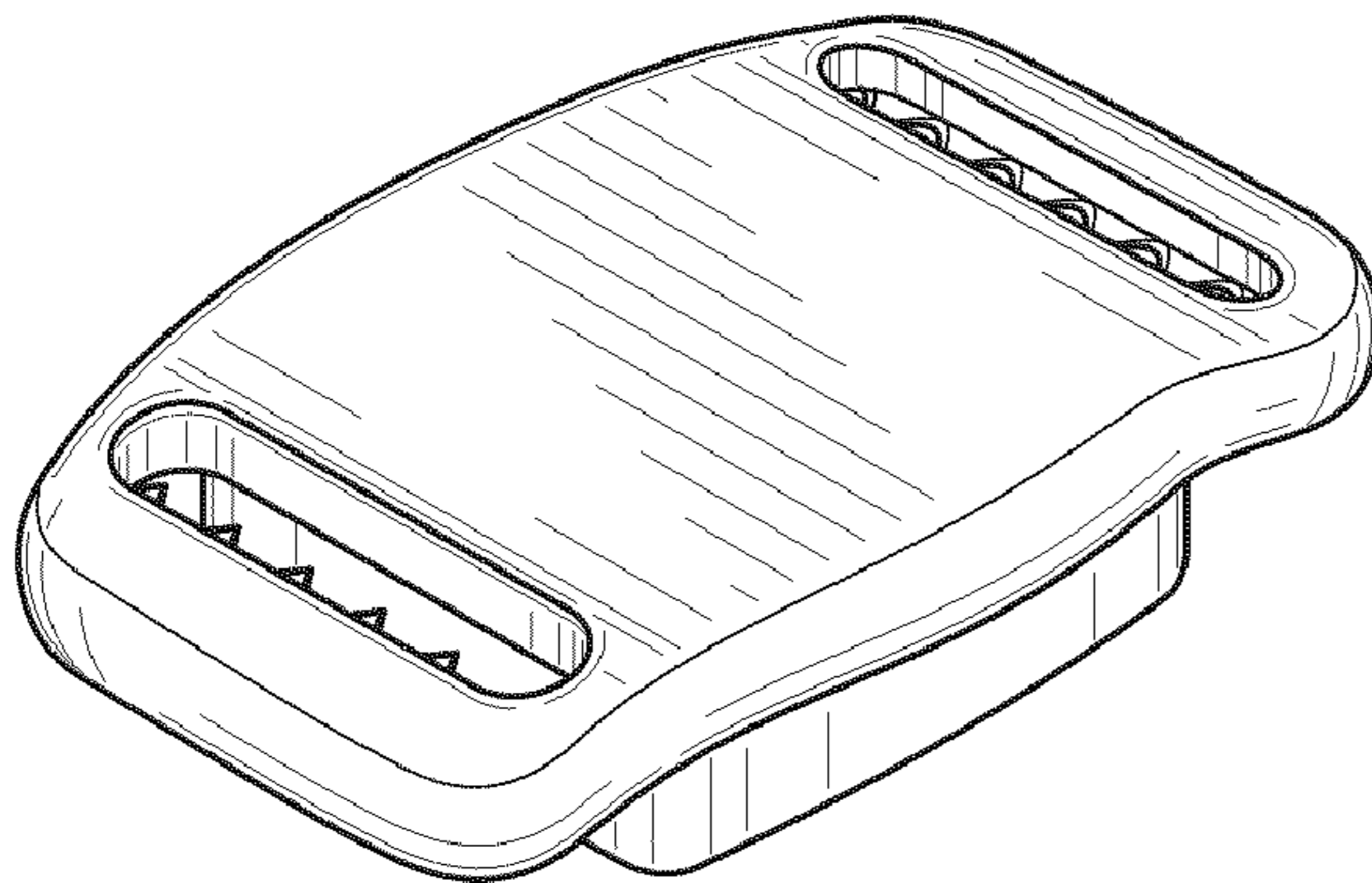
FIG. 5 is an opposite side elevation view thereof;

FIG. 6 is a front elevation view thereof;

FIG. 7 is back elevation view thereof; and,

FIG. 8 is a lower perspective view thereof.

1 Claim, 1 Drawing Sheet



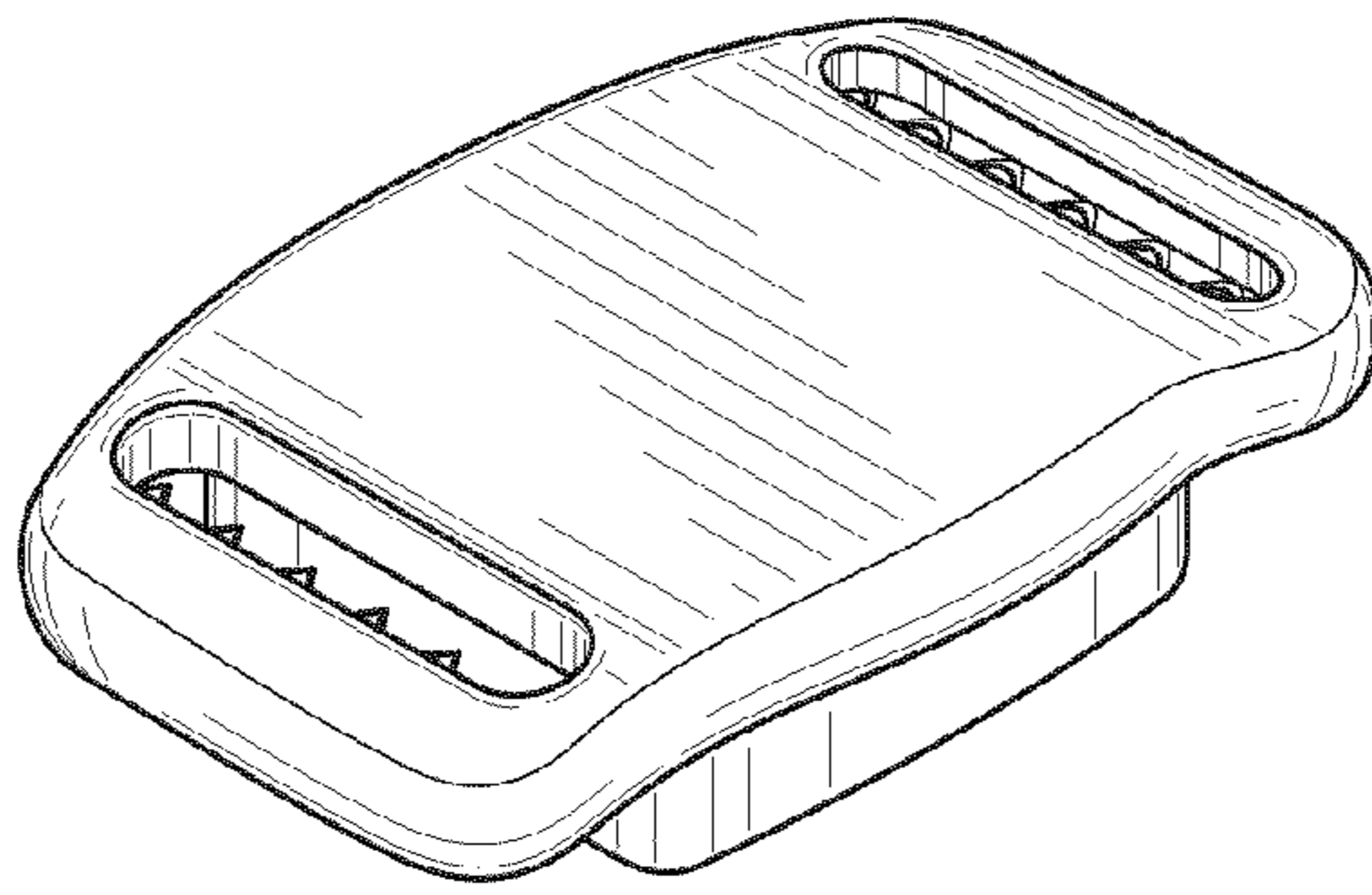


FIG. 1

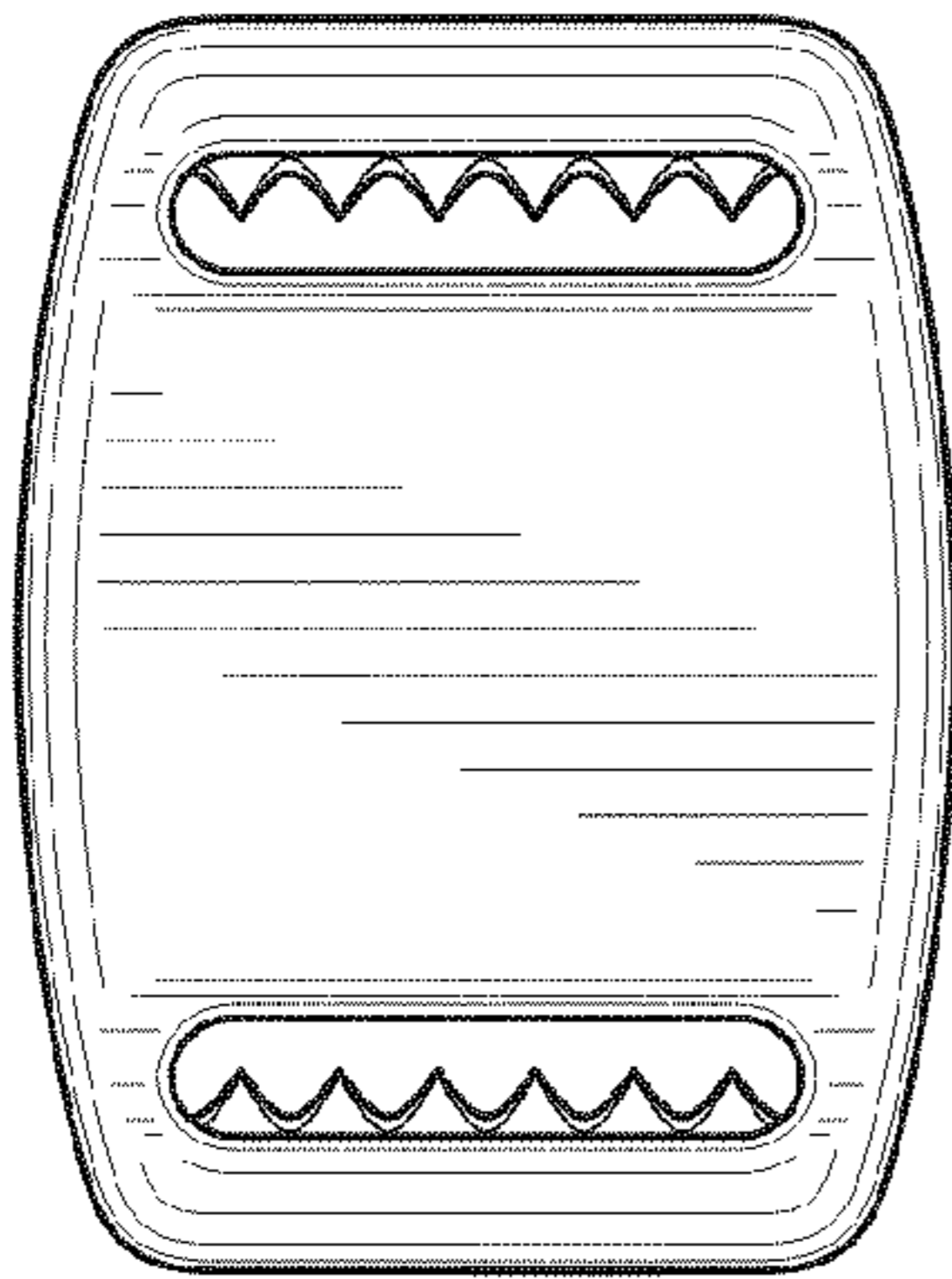


FIG. 2

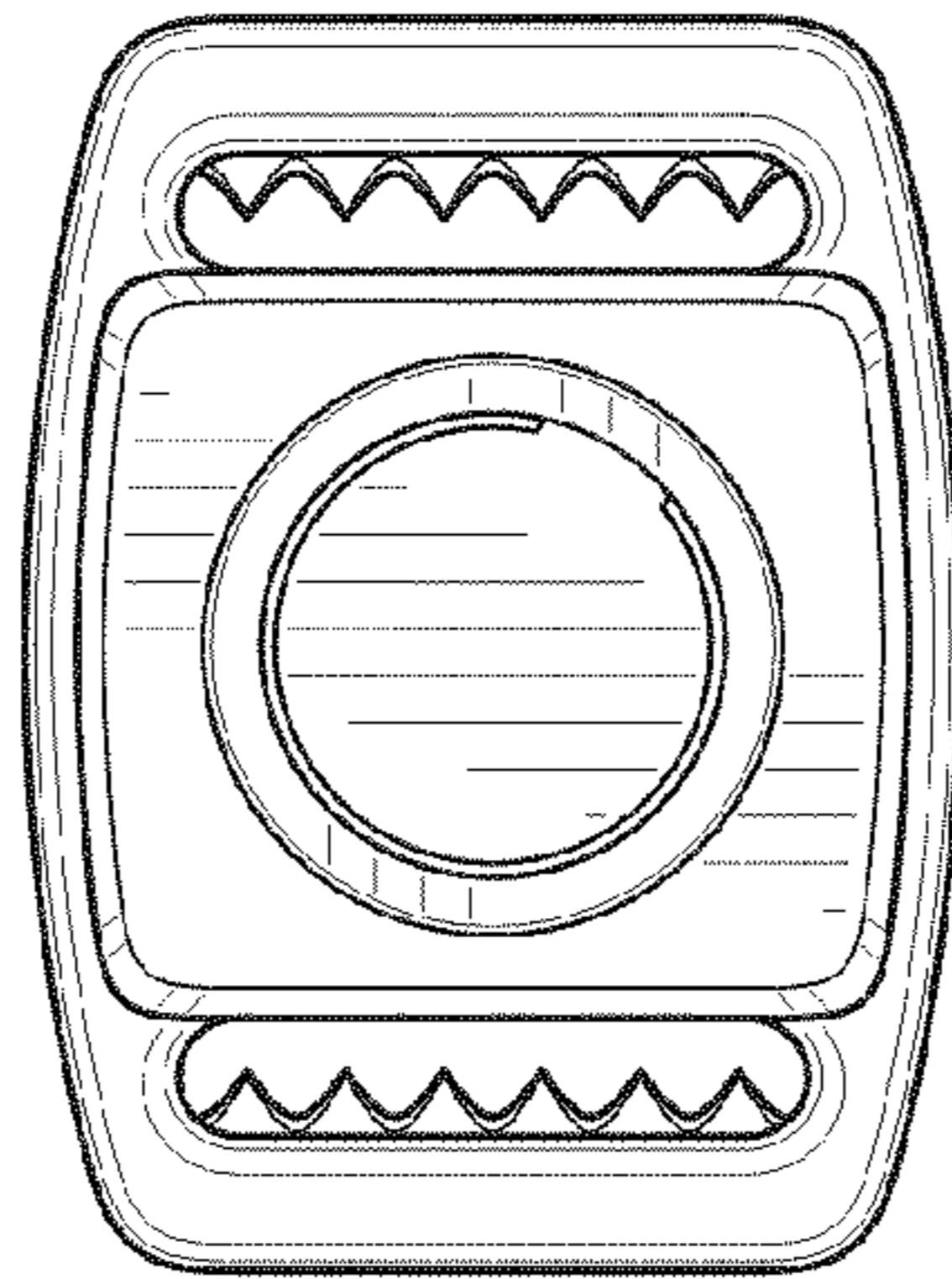


FIG. 3

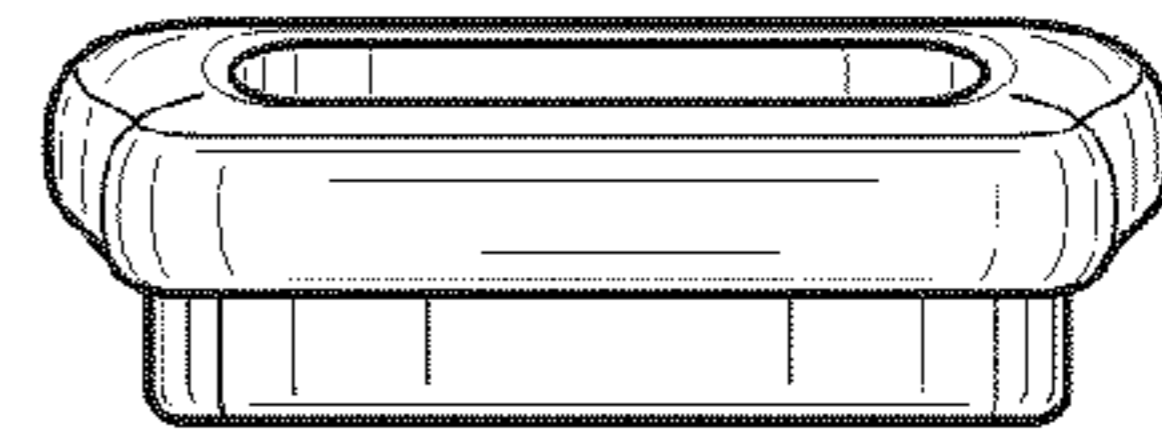


FIG. 4

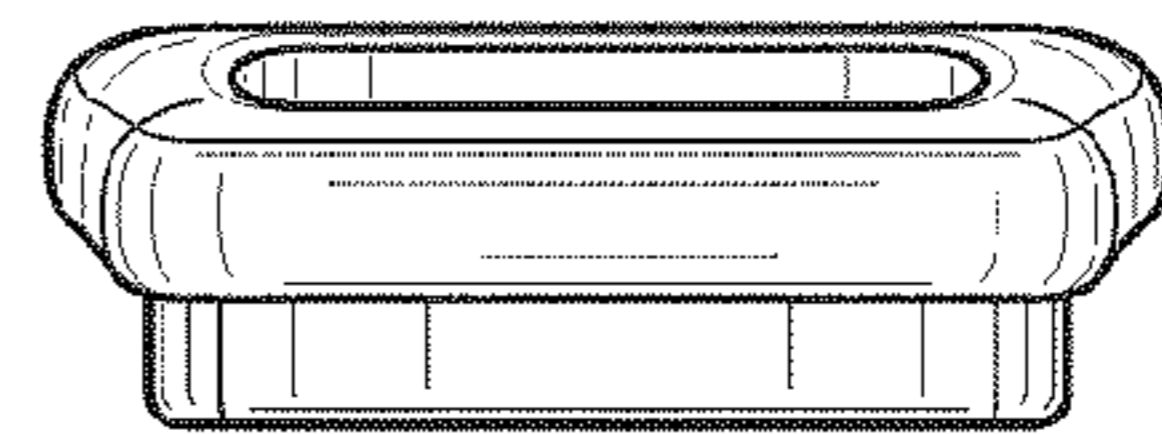


FIG. 5

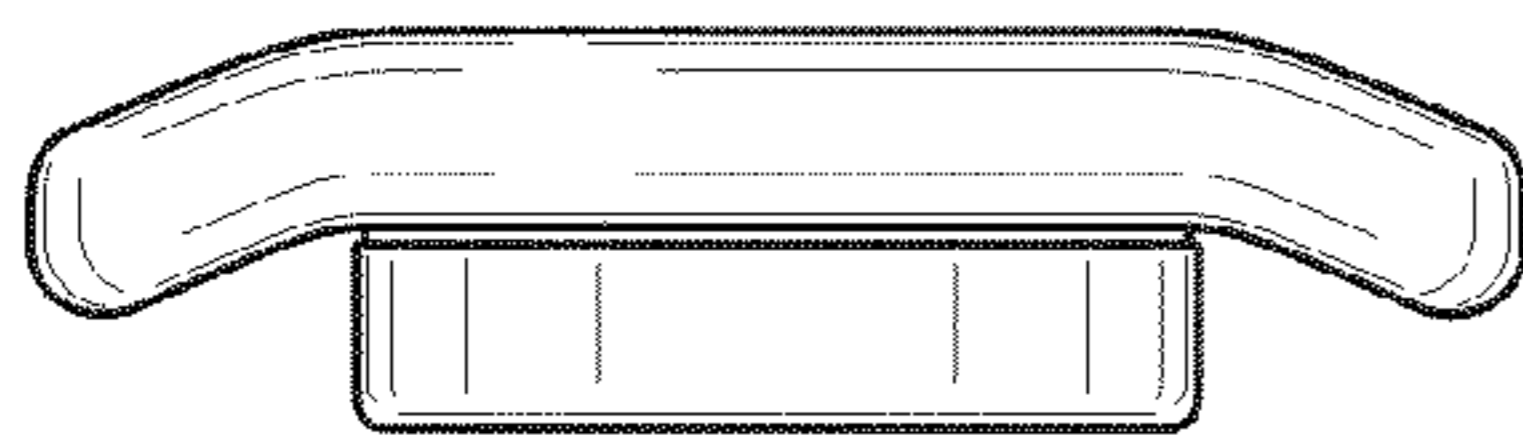


FIG. 6

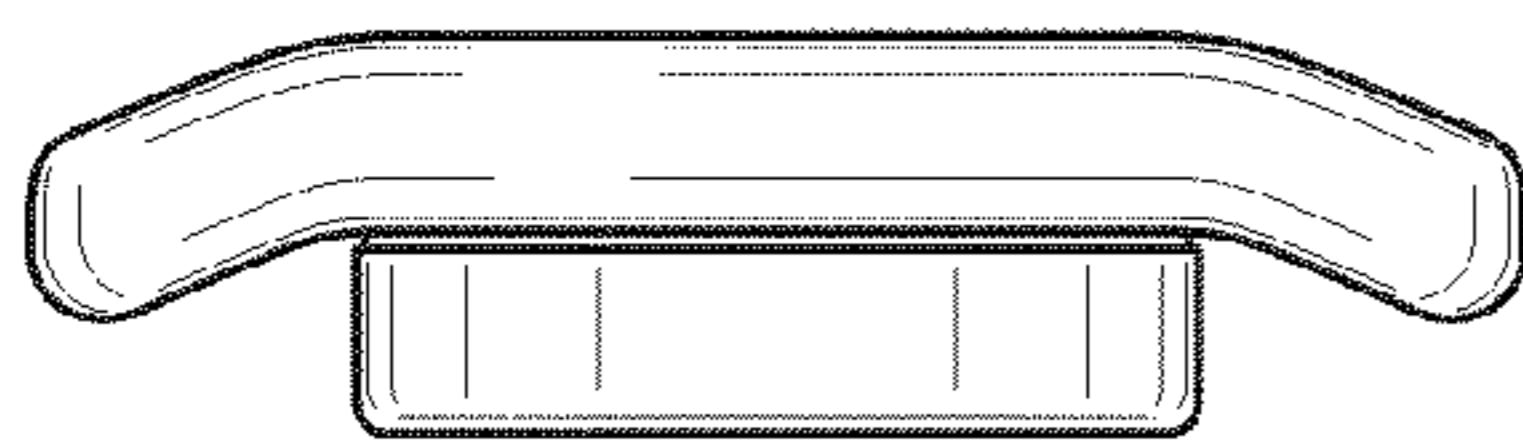


FIG. 7

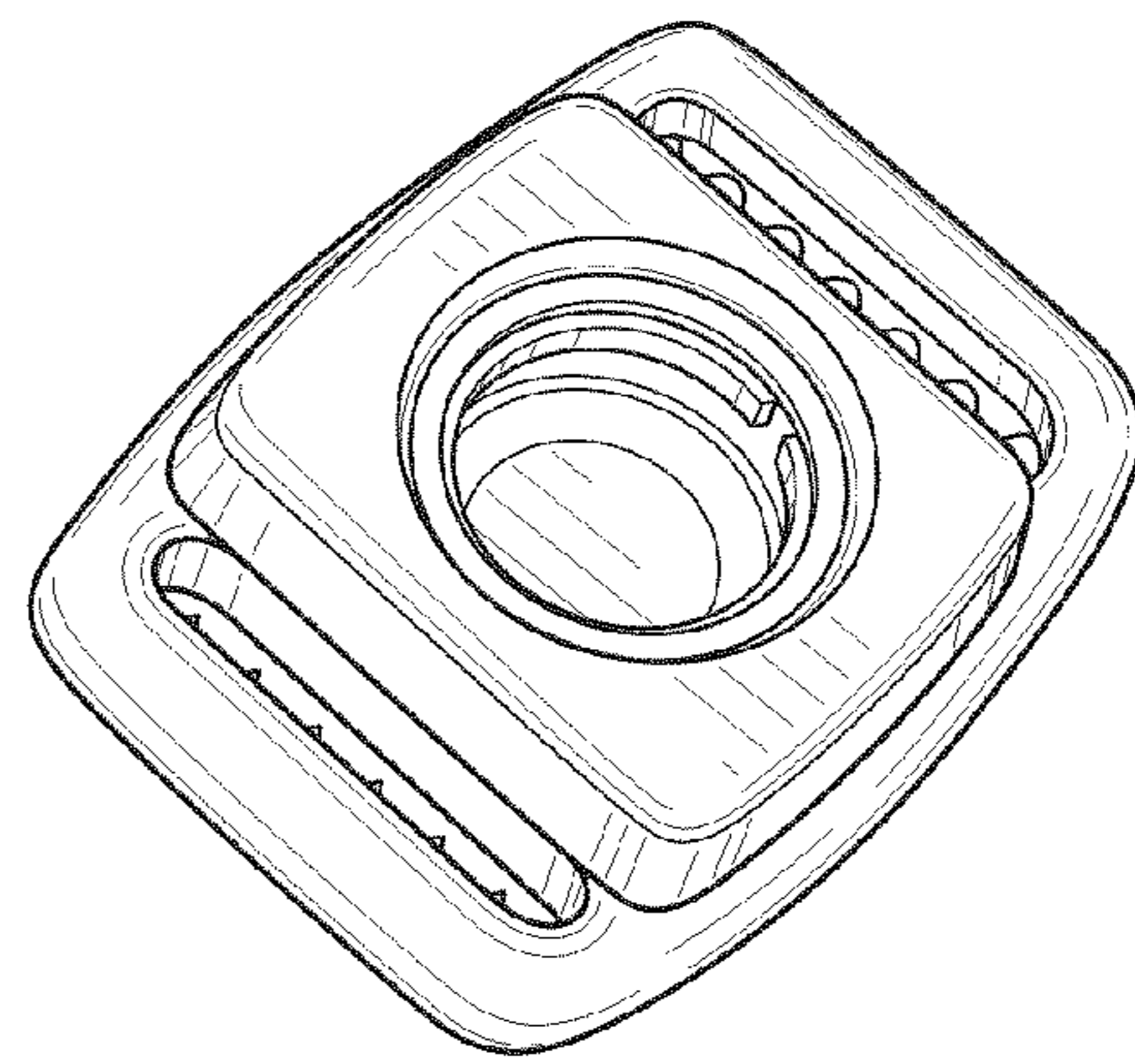


FIG. 8