



US00D623085S

(12) **United States Design Patent**
Rackley et al.

(10) **Patent No.:** **US D623,085 S**

(45) **Date of Patent:** **** Sep. 7, 2010**

(54) **PORTABLE GARDEN CONTAINER**

D423,983 S	5/2000	Goldman	
D446,157 S	8/2001	Glenn	
D487,035 S *	2/2004	Bellavics D11/155
D571,688 S	6/2008	White	

(76) Inventors: **Tamara Rackley**, 12924 NE. 136th Pl., Kirkland, WA (US) 98034; **John Rackley**, 12924 NE. 136th Pl., Kirkland, WA (US) 98034

* cited by examiner

(**) Term: **14 Years**

Primary Examiner—Garth Rademaker
(74) *Attorney, Agent, or Firm*—QuickPatents, Inc.; Kevin Prince

(21) Appl. No.: **29/353,491**

(22) Filed: **Jan. 8, 2010**

(57) **CLAIM**

Related U.S. Application Data

We claim the ornamental design for a portable garden container, as shown and described.

(66) Substitute for application No. 29/338,871, filed on Jun. 19, 2009, now abandoned.

DESCRIPTION

(51) **LOC (9) Cl.** **11-02**

(52) **U.S. Cl.** **D11/144; D11/155**

(58) **Field of Classification Search** D6/556-558; D8/1; D11/143-156; D19/77, 81; D26/9-11; D34/1, 2, 4-6; D99/5, 19; 47/32.4, 32.5, 47/32.7, 33, 41.01, 41.1, 41.11-41.15, 44-47, 47/65, 65.5, 65.9, 68-71
See application file for complete search history.

FIG. 1 is an exploded perspective view of a portable garden container, showing our new design. The design is comprised of three portions, including a water hose, a container, and a rolling tray;

FIG. 2 is a perspective view thereof;

FIG. 3 is a top plan view thereof;

FIG. 4 is a bottom plan view of the container portion thereof, the other portions not shown for ease of disclosure;

FIG. 5 is a top plan view of the rolling tray portion thereof, the other portions not shown for ease of disclosure;

FIG. 6 is a bottom plan view thereof;

FIG. 7 is a left side elevational view thereof, the right side elevational view being a mirror image thereof; and,

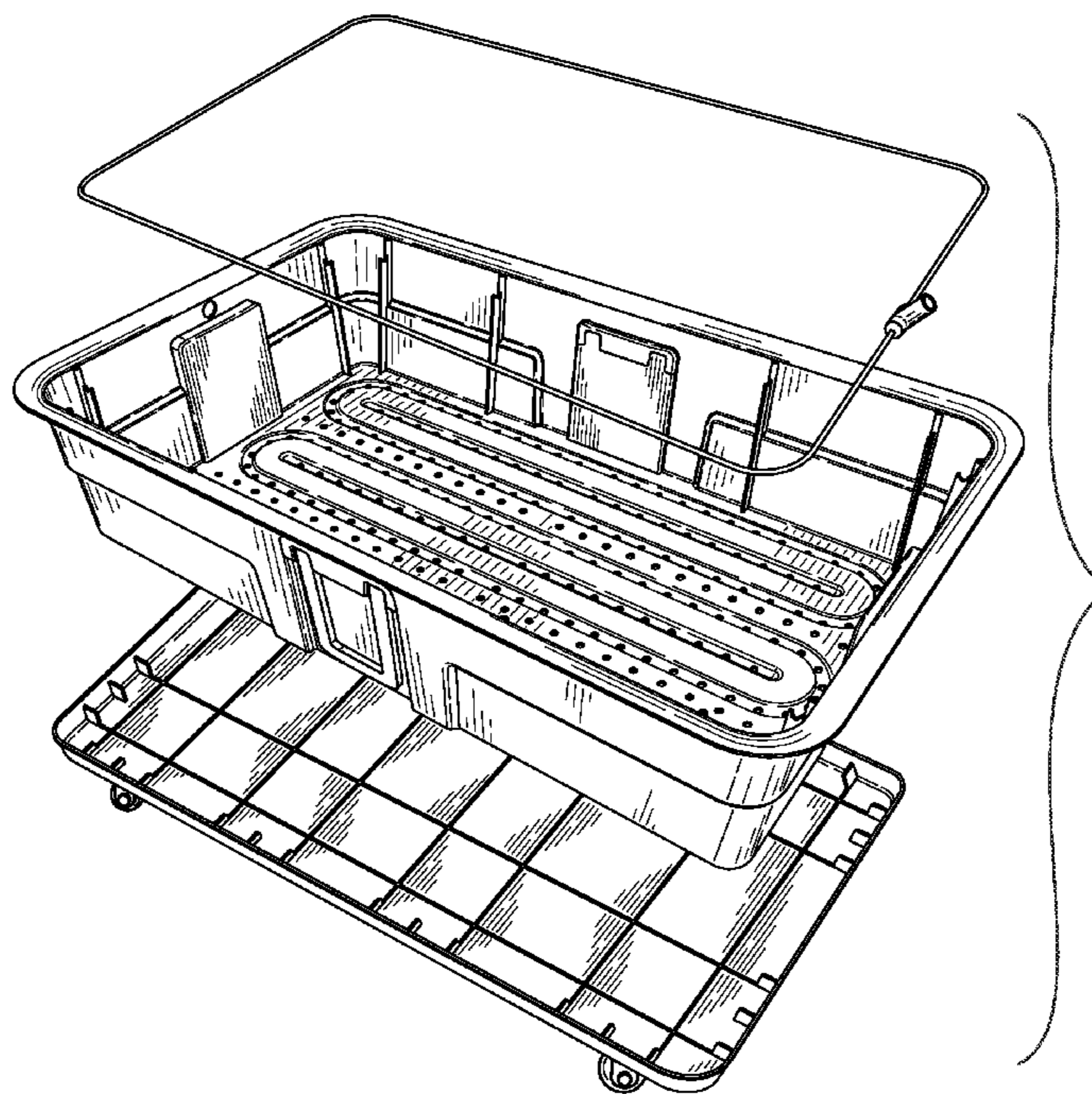
FIG. 8 is a front elevational view thereof, the rear elevational view being a mirror image thereof.

(56) **References Cited**

U.S. PATENT DOCUMENTS

3,082,575 A	3/1963	Schulz	
D245,241 S	8/1977	Robinson	
D259,777 S *	7/1981	Ehrreich D11/155
4,407,092 A	10/1983	Ware	
D381,600 S	7/1997	Yurkovic	
D385,507 S	10/1997	Hulsebus	
D409,947 S *	5/1999	Bongard et al. D11/155

1 Claim, 4 Drawing Sheets



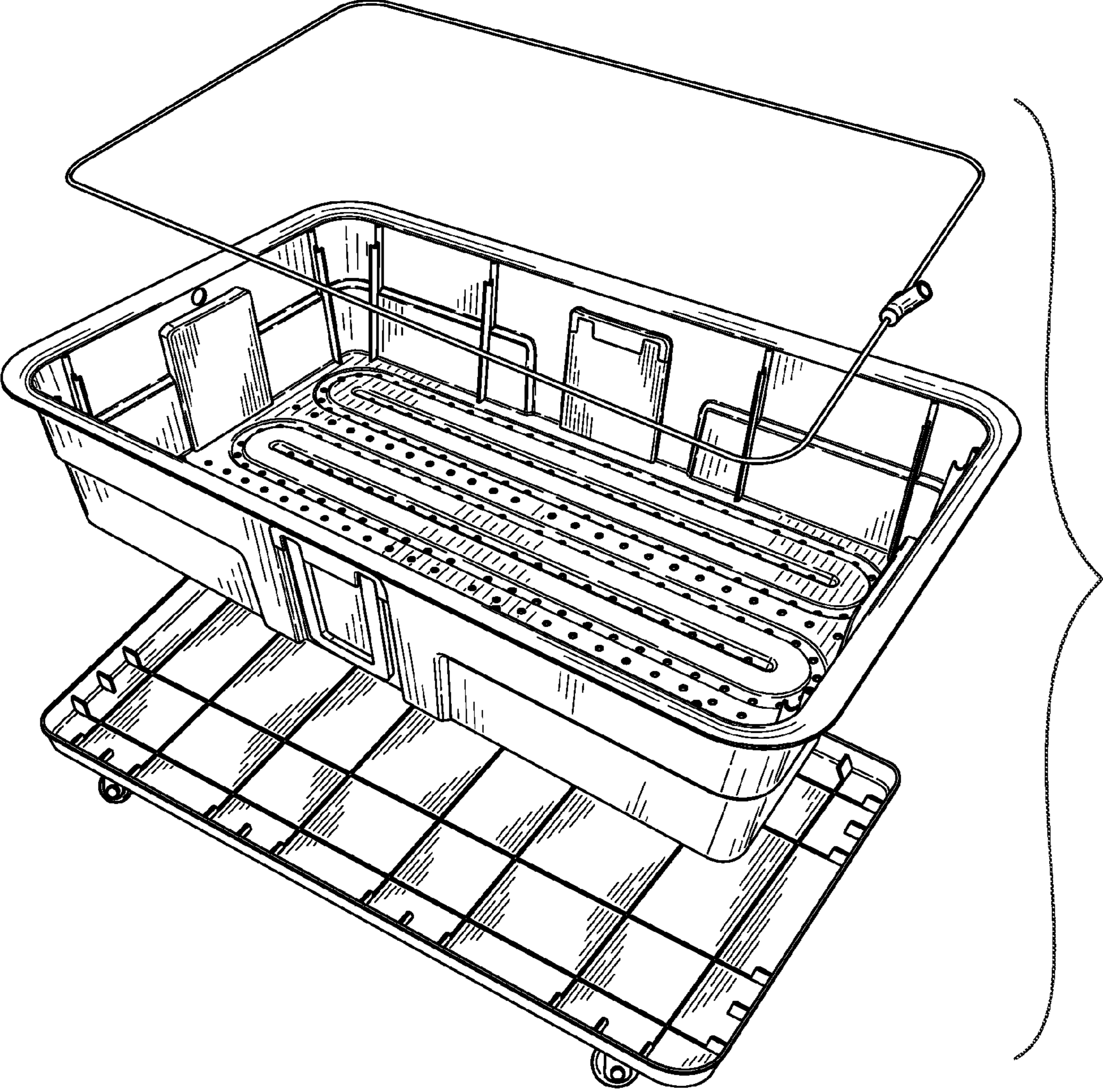


FIG. 1

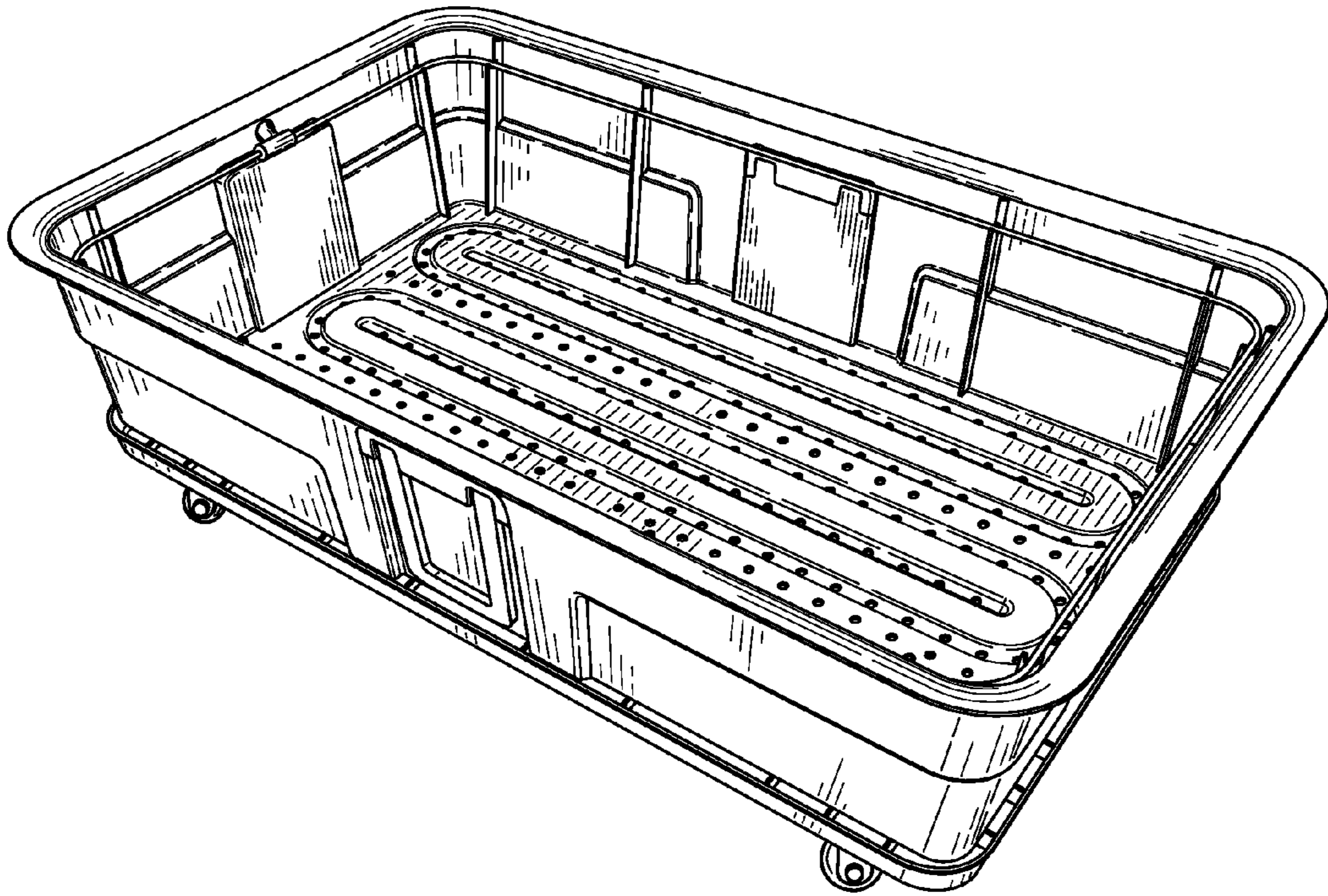


FIG. 2

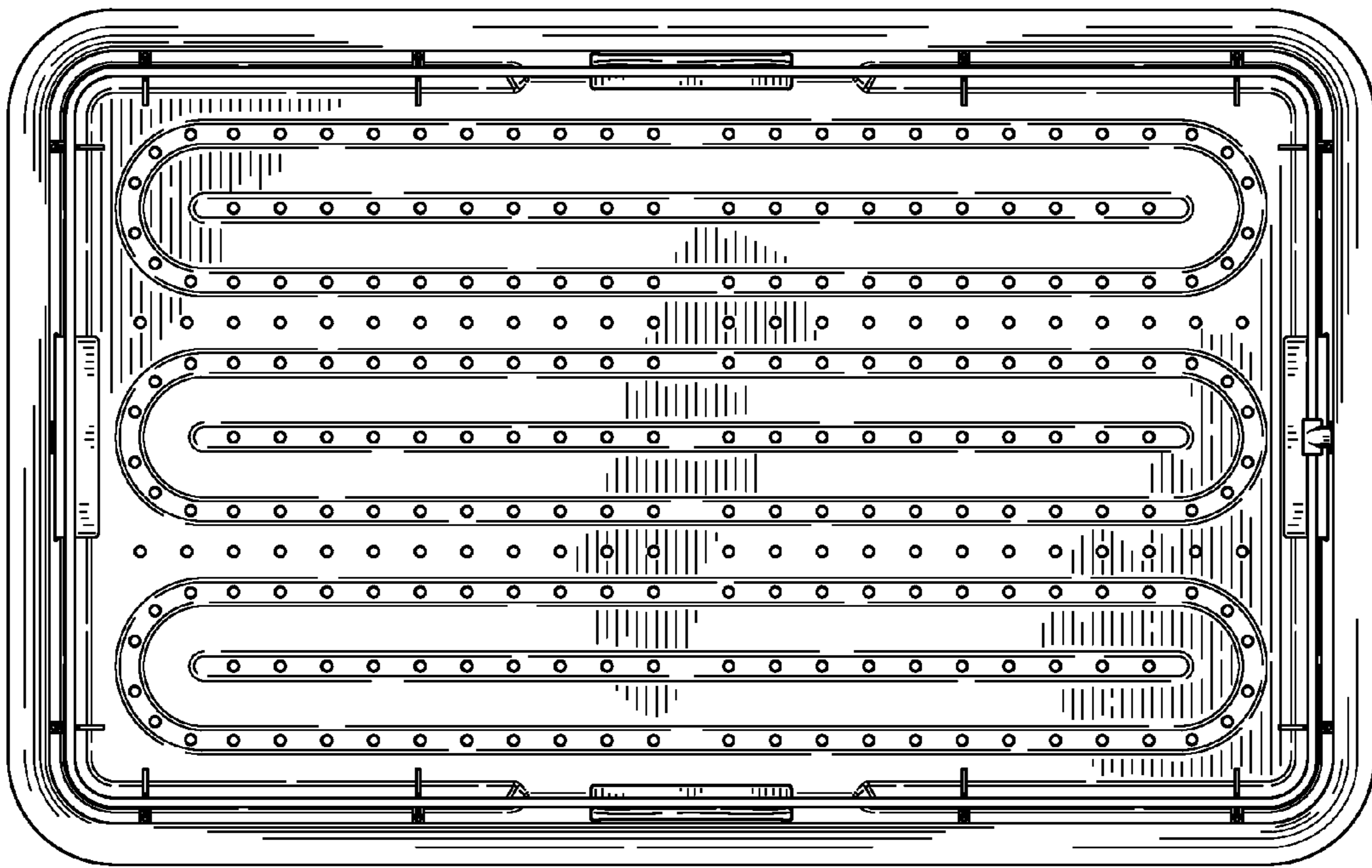


FIG. 3

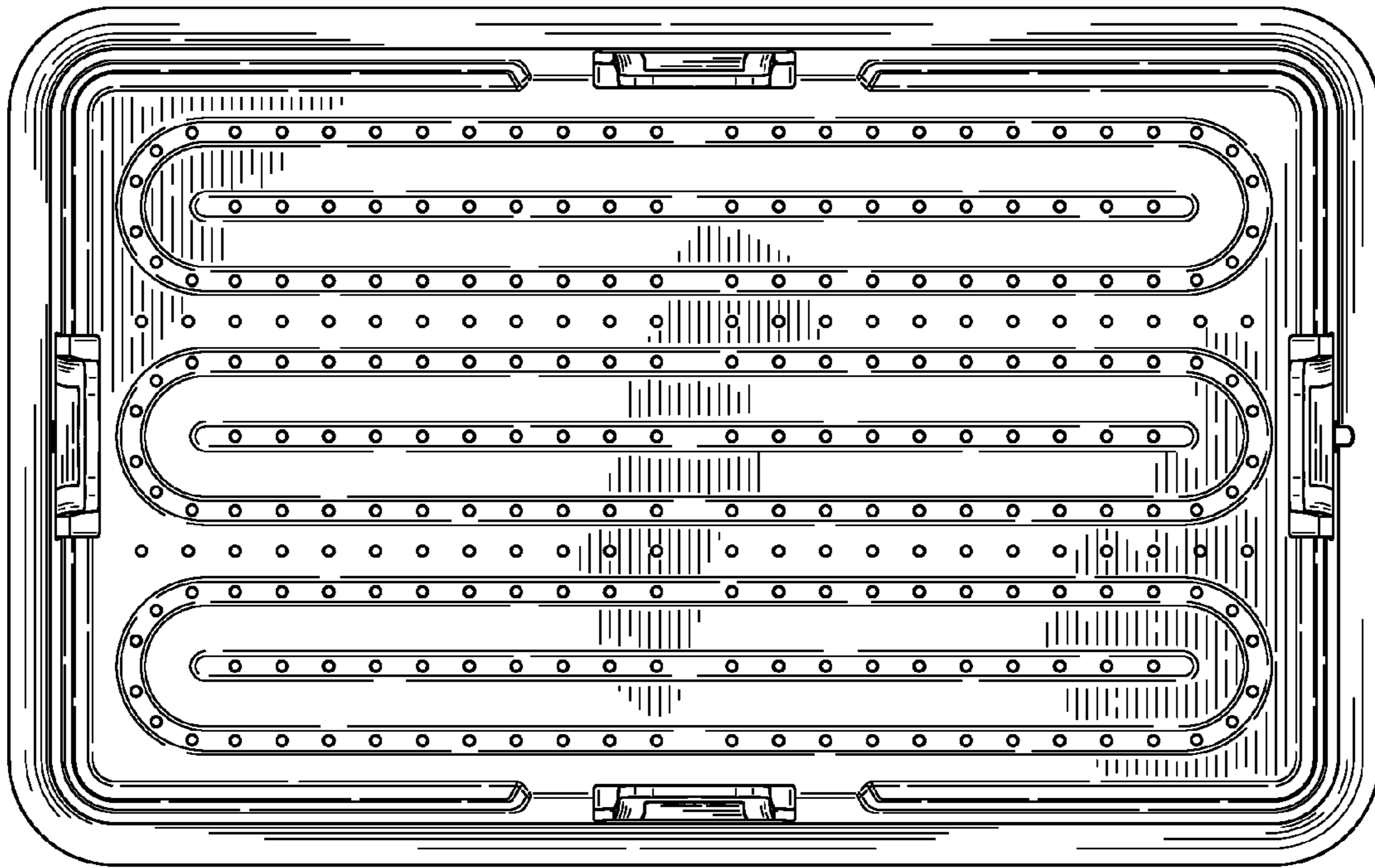


FIG. 4

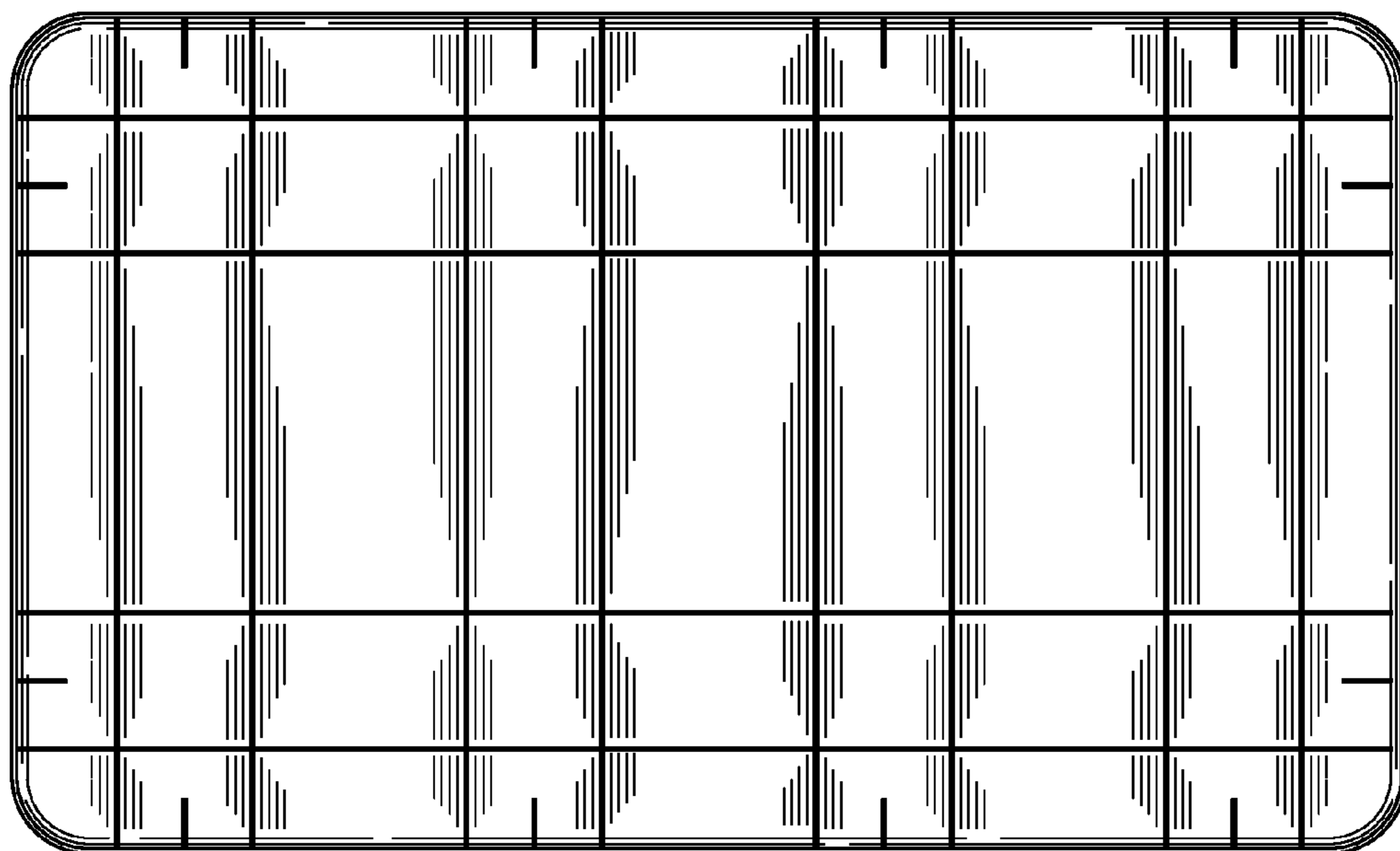


FIG. 5

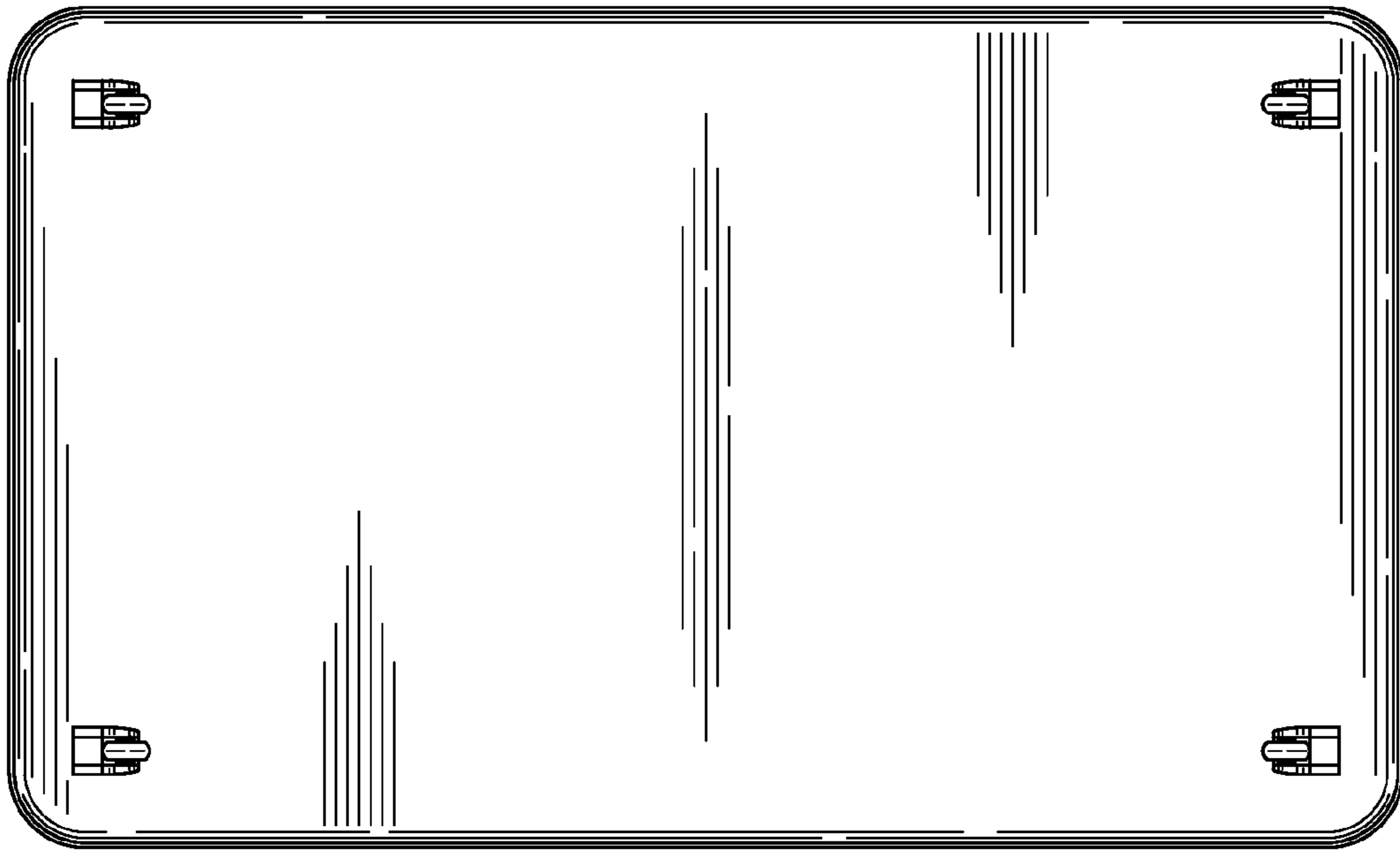


FIG. 6

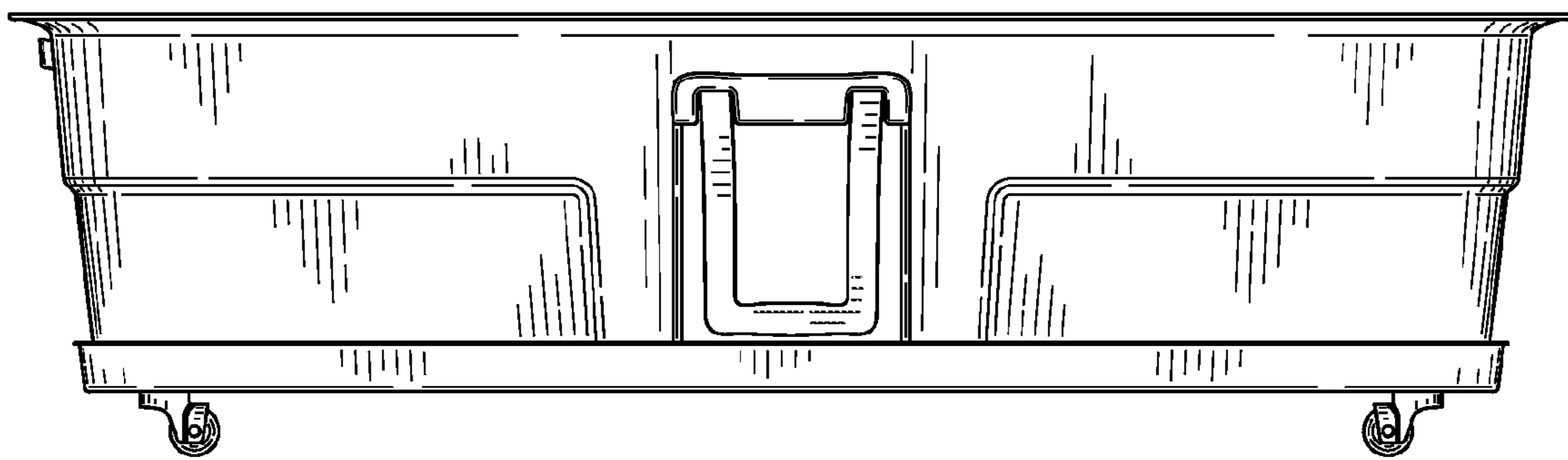


FIG. 7

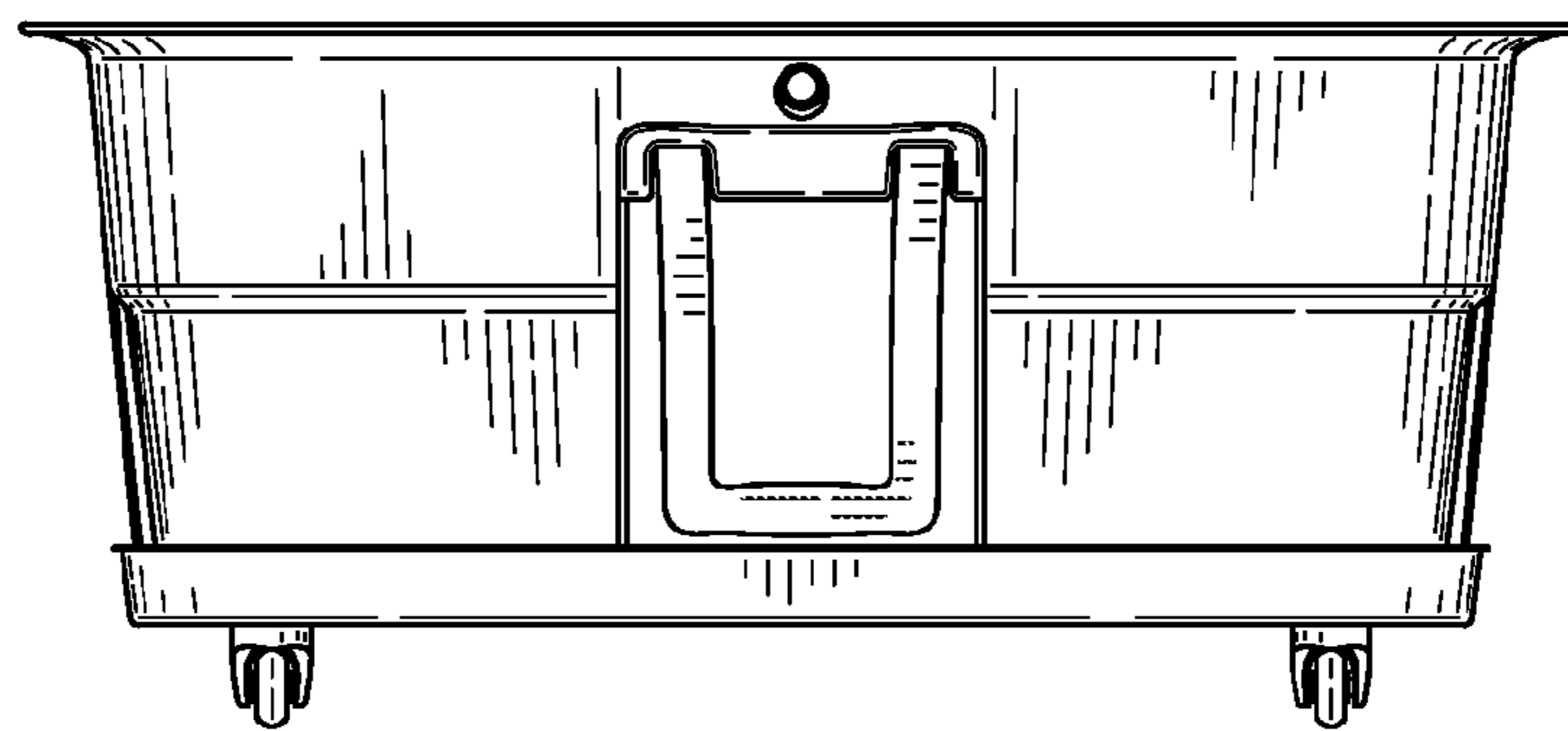


FIG. 8