



US00D623080S

(12) **United States Design Patent**
Nguyen et al.

(10) **Patent No.:** **US D623,080 S**
(45) **Date of Patent:** **** Sep. 7, 2010**

(54) **WALL SCANNER WITH PISTOL-GRIP HANDLE**

D609,590 S 2/2010 Wingate

(75) Inventors: **Evans H. Nguyen**, Renton, WA (US);
Jason R. Crowe, Milwaukee, WI (US);
Scott D. Bublitz, Hartland, WI (US);
Mike N. Jones, Lake Forest Park, WA (US)

(Continued)

OTHER PUBLICATIONS

Power Tools UK, D-tect 100 Bosch Wall Scanner Bosch D-tect 100, available at least as early as Apr. 21, 2009.

(73) Assignee: **Milwaukee Electric Tool Corporation**, Brookfield, WI (US)

(Continued)

Primary Examiner—Antoine D Davis

(**) Term: **14 Years**

(74) *Attorney, Agent, or Firm*—Michael Best & Friedrich LLP

(21) Appl. No.: **29/343,067**

(57) **CLAIM**

(22) Filed: **Sep. 4, 2009**

The ornamental design for a wall scanner with pistol-grip handle, as shown and described.

(51) **LOC (9) Cl.** **10-04**

(52) **U.S. Cl.** **D10/78**

(58) **Field of Classification Search** D10/78;
33/286, 290; 324/67, 156, 228, 326, 508,
324/662, 671

DESCRIPTION

See application file for complete search history.

FIG. 1 is a rear perspective view of a wall scanner with pistol-grip handle of the present invention.

(56) **References Cited**

U.S. PATENT DOCUMENTS

4,853,617	A	8/1989	Douglas et al.	
D328,257	S *	7/1992	Ormand et al.	D10/78
5,148,108	A	9/1992	Dufour	
D330,171	S *	10/1992	Wilson et al.	D10/78
6,211,662	B1	4/2001	Bijawat et al.	
6,249,113	B1	6/2001	Krantz et al.	
6,259,241	B1	7/2001	Krantz	
D483,280	S *	12/2003	Leutz	D10/78
6,844,713	B2	1/2005	Steber et al.	
6,894,508	B2	5/2005	Sanoner et al.	
7,193,405	B2	3/2007	Murray	
D567,123	S *	4/2008	Babb et al.	D10/78
7,504,817	B2	3/2009	Sanoner et al.	
7,633,282	B2	12/2009	Radle et al.	

FIG. 2 is a front view of the wall scanner of FIG. 1.

FIG. 3 is a right side view of the wall scanner of FIG. 1.

FIG. 4 is a left side view of the wall scanner of FIG. 1.

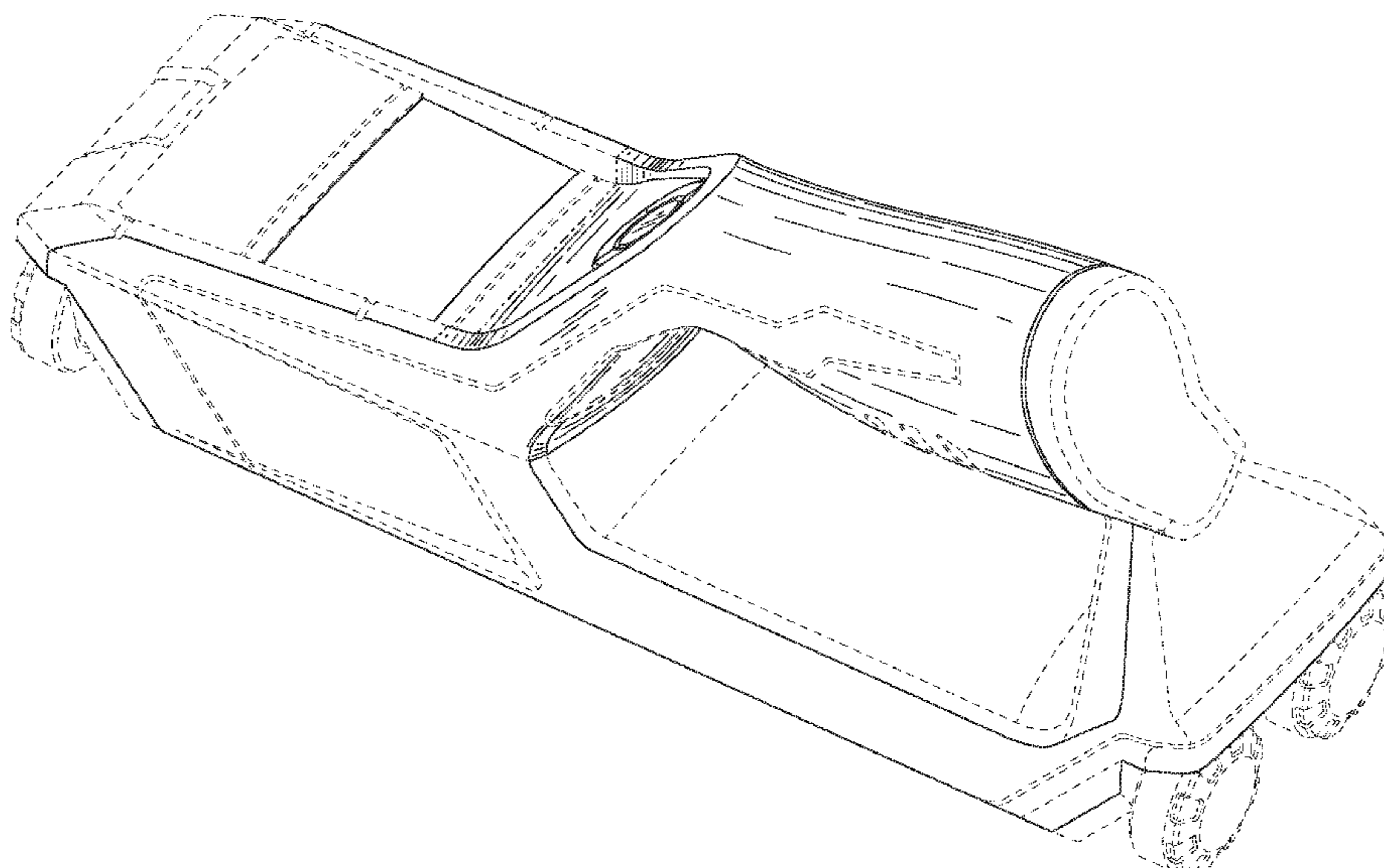
FIG. 5 is a rear view of the wall scanner of FIG. 1.

FIG. 6 is a top view of the wall scanner of FIG. 1; and,

FIG. 7 is a bottom view of the wall scanner of FIG. 1.

The ornamental design which is claimed is shown in solid lines in the drawings. The portions of the design shown in broken lines are included for the purpose of illustrating environment and form no part of the claimed design. The portions of the design shown in broken lines having unequal segments illustrate the boundary of the claimed design and form no part of the claimed design.

1 Claim, 7 Drawing Sheets



U.S. PATENT DOCUMENTS

2006/0113985 A1 6/2006 Gist et al.
2007/0200547 A1 8/2007 Chen
2008/0186010 A1* 8/2008 Skultety-Betz et al. 324/67
2009/0045806 A1* 2/2009 Worones 324/156
2010/0117885 A1 5/2010 Holbrook et al.

OTHER PUBLICATIONS

Milwaukee Electric Tool - News and Media, Milwaukee Introduces M12 Sub-Scanner Detection Tool, Press Releases, available online at: <http://www.milwaukeetool.com/NewsAndMedia/>

PressReleases/Milwaukee(R) _Introduces_M12_Sub-Scanner(TM)_Detection_Tool/995>, May 1, 2009.
Bosch, Precise detection with the Wallscanner D-tect 150 Professional from Bosch, Press Release, PI 6588 PT MS, Sep. 2009.
D-tect 150 User Manual, pp. 18-29, available online at: <[http://www.bosch-pt.dk/boptocs2-dk/modules/oragetblob.dll/WallscannerD-tect150_manual.pdf?db=ocsr55_s041&item=OCSHEIMWPDF.v\\$m\\$d\\$lobvalues.r55&id=60862,5600,17&filename=WallscannerD-tect150_manual.pdf](http://www.bosch-pt.dk/boptocs2-dk/modules/oragetblob.dll/WallscannerD-tect150_manual.pdf?db=ocsr55_s041&item=OCSHEIMWPDF.vmd$lobvalues.r55&id=60862,5600,17&filename=WallscannerD-tect150_manual.pdf)>, Jul. 14, 2009.
Bosch Swedish Products Flyer, available online at: <http://www.bosch-pt.dk/mam/bosch-pt-centralpool/professional/newsandextras/news/promo_dk_20100504.pdf>, May 4, 2010.

* cited by examiner

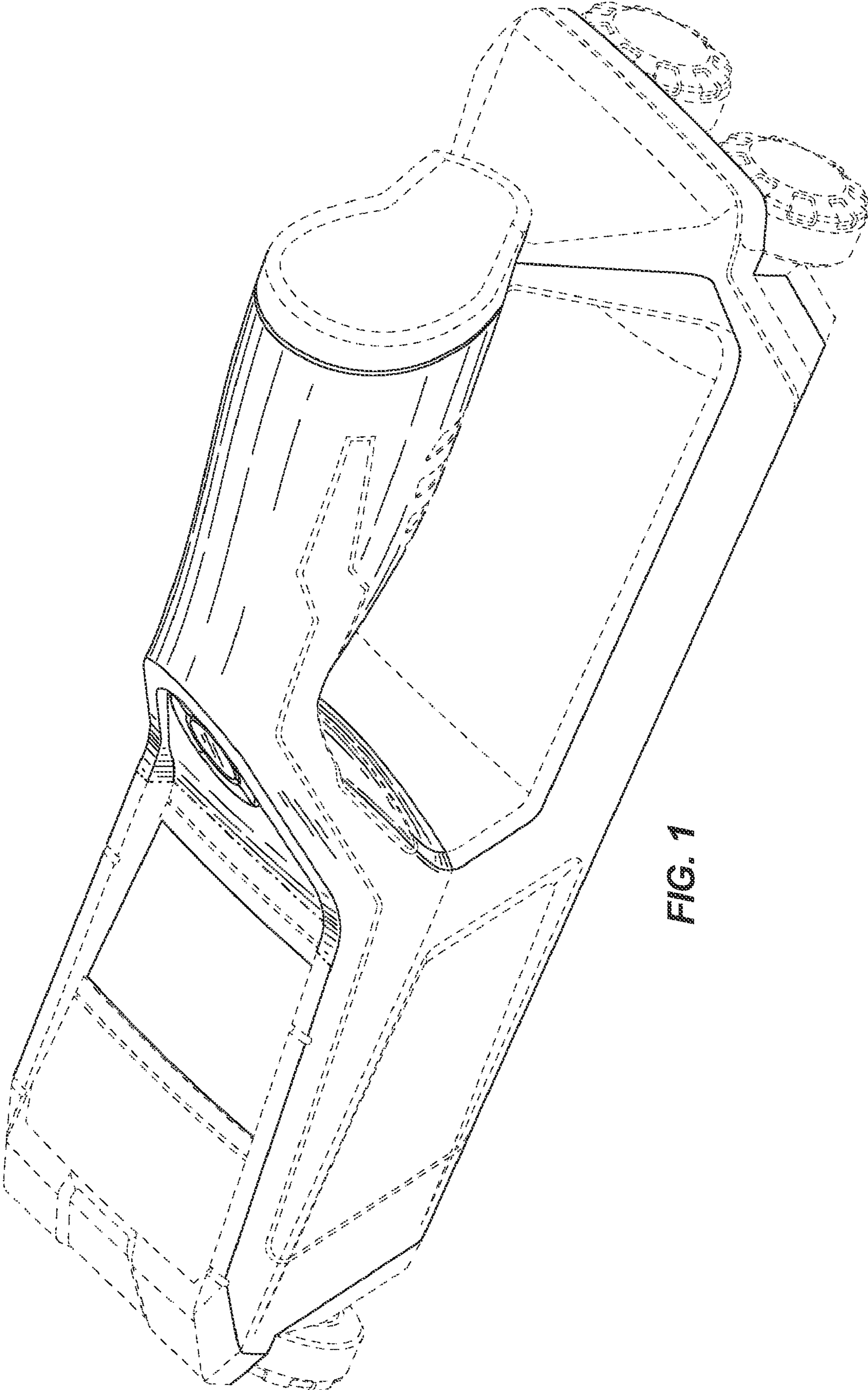


FIG. 1

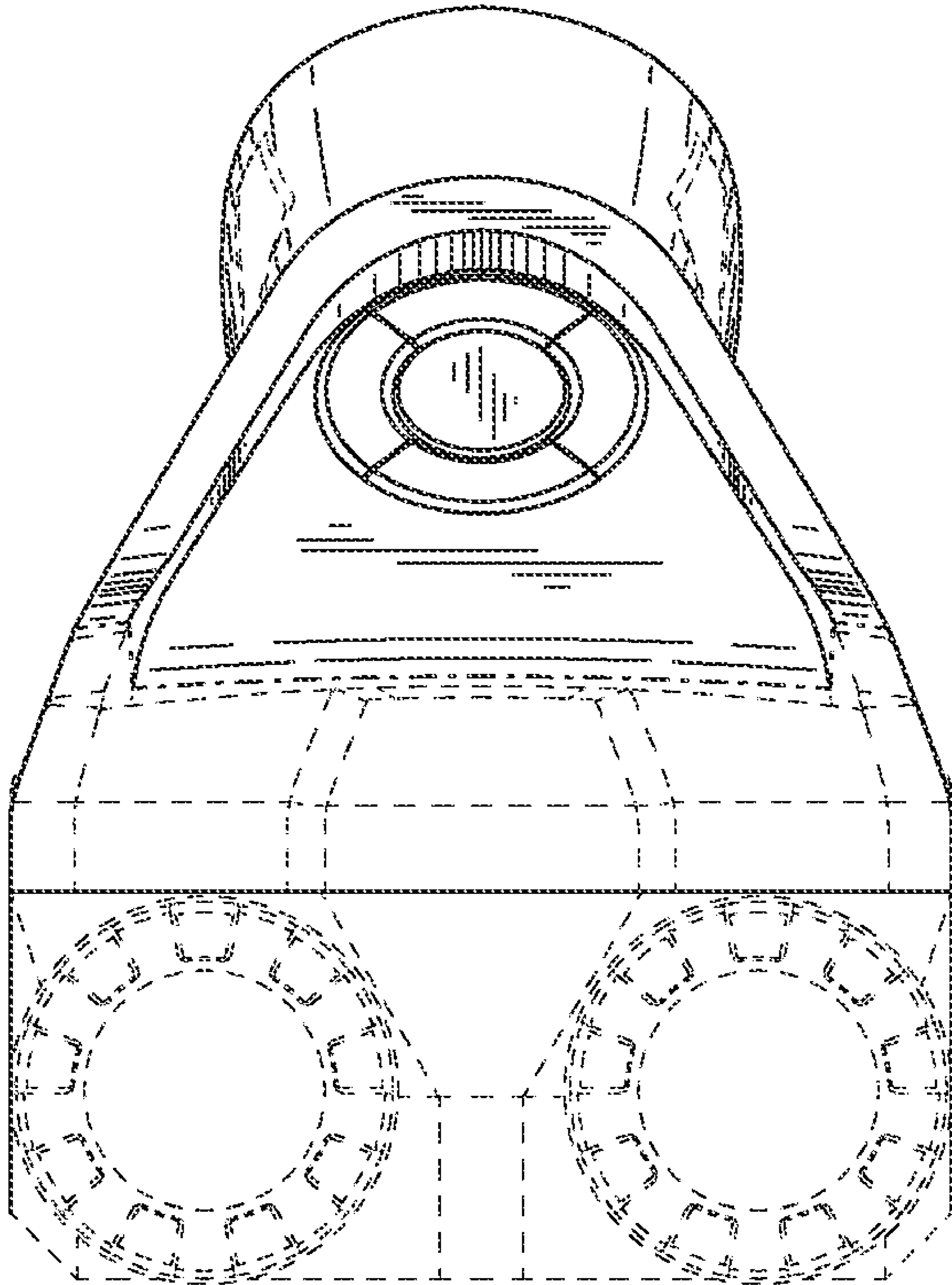


FIG. 2

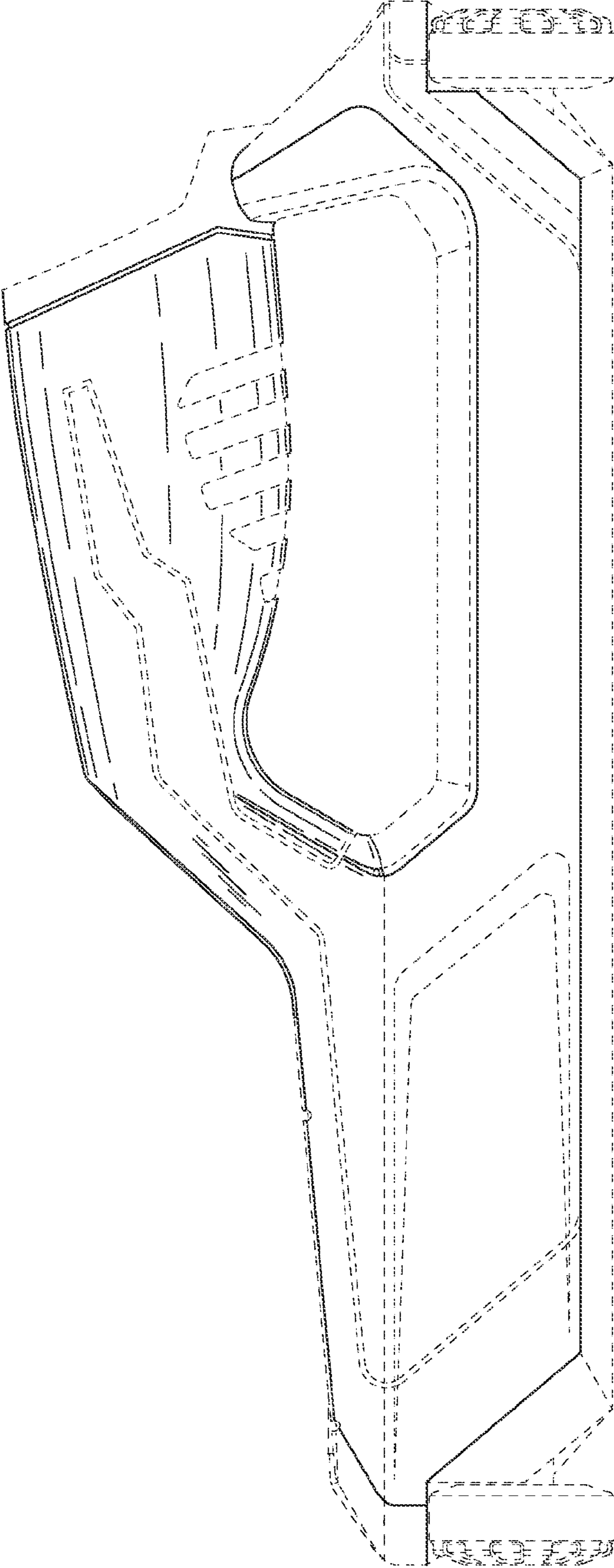


FIG. 3

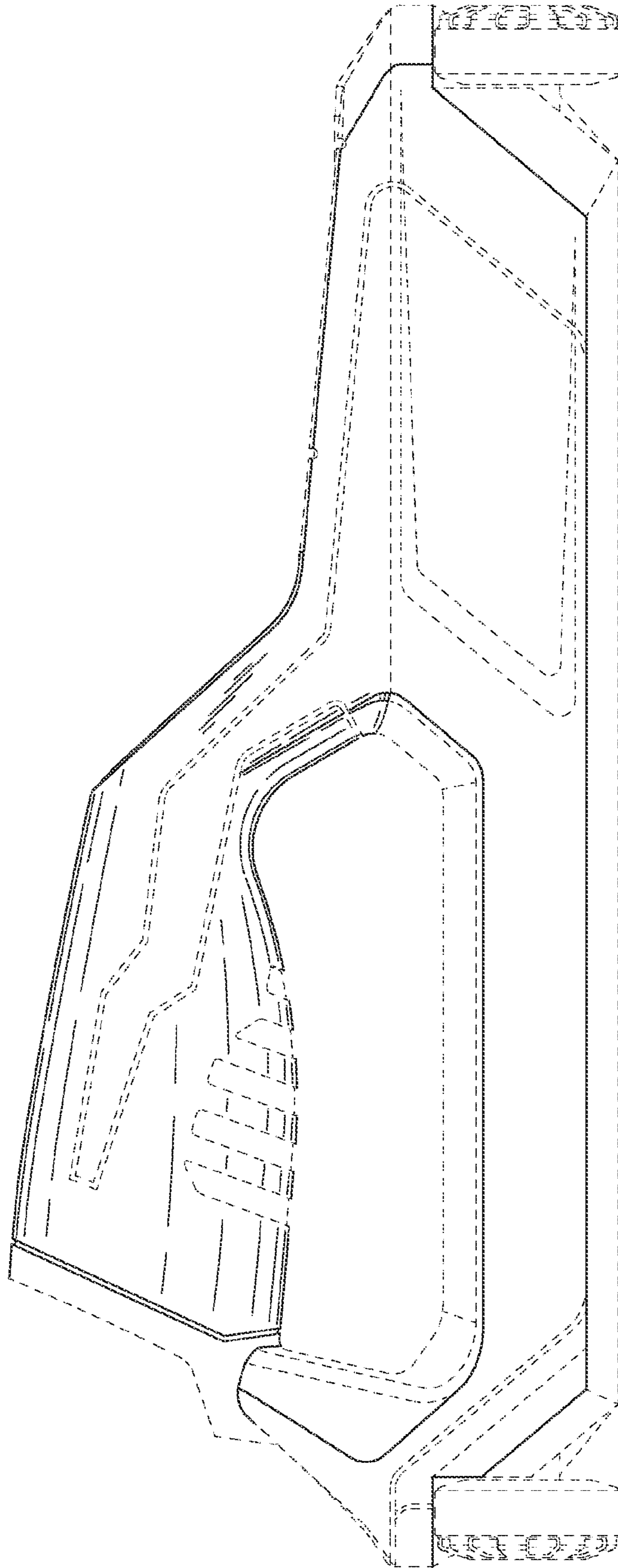


FIG. 4

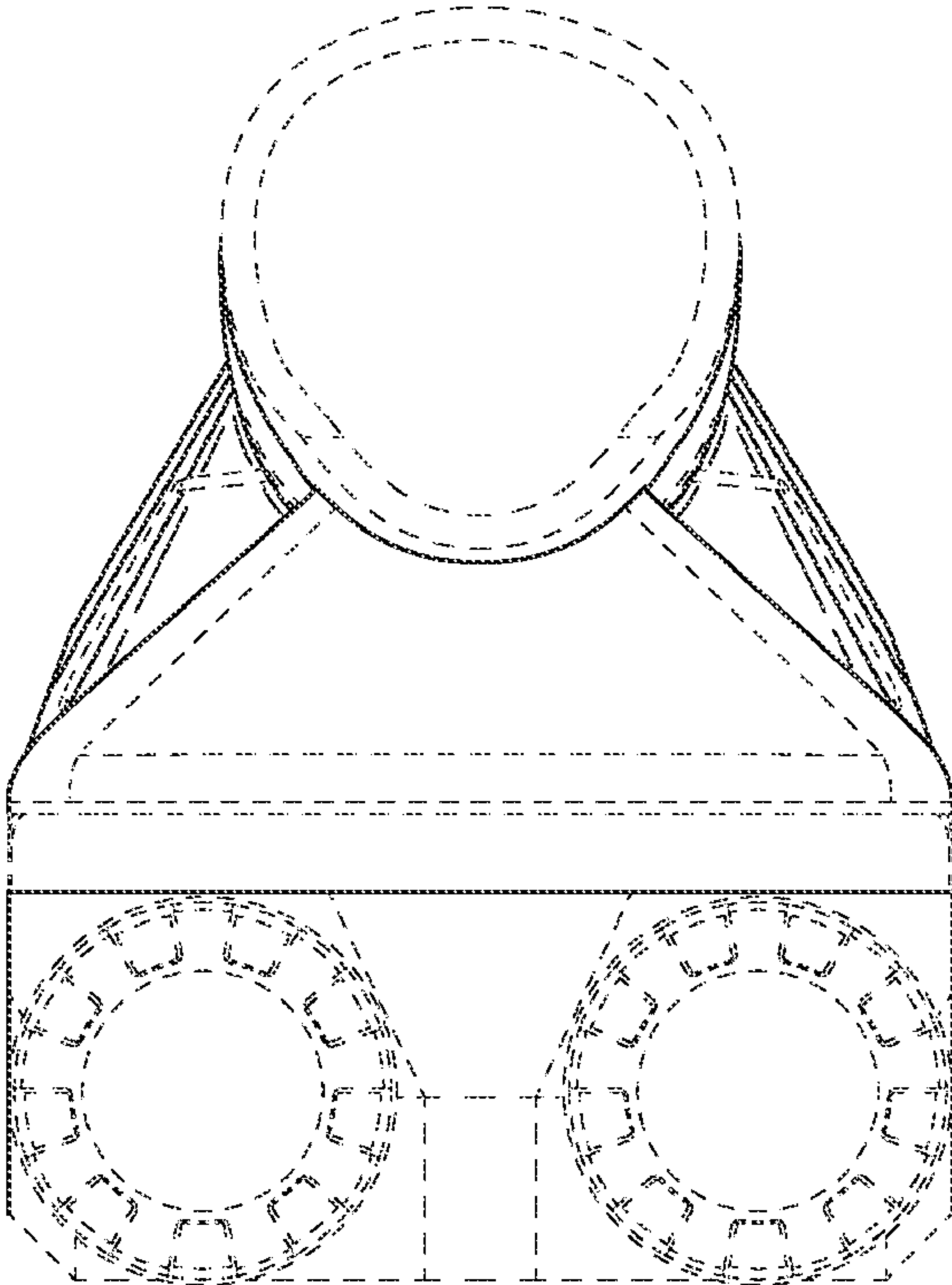


FIG. 5

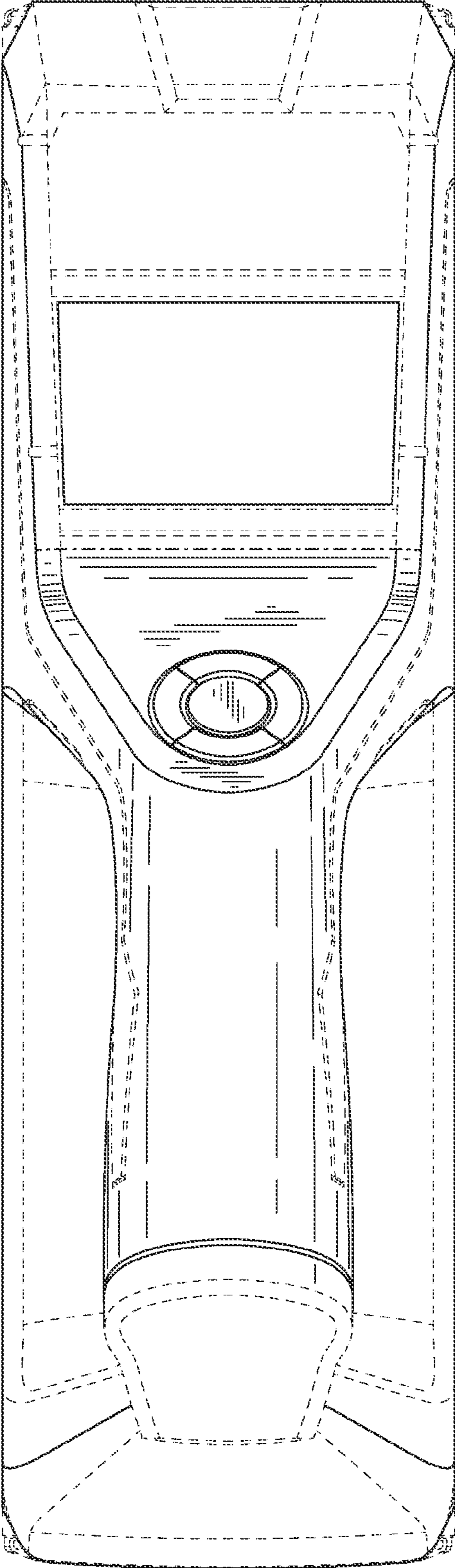


FIG. 6

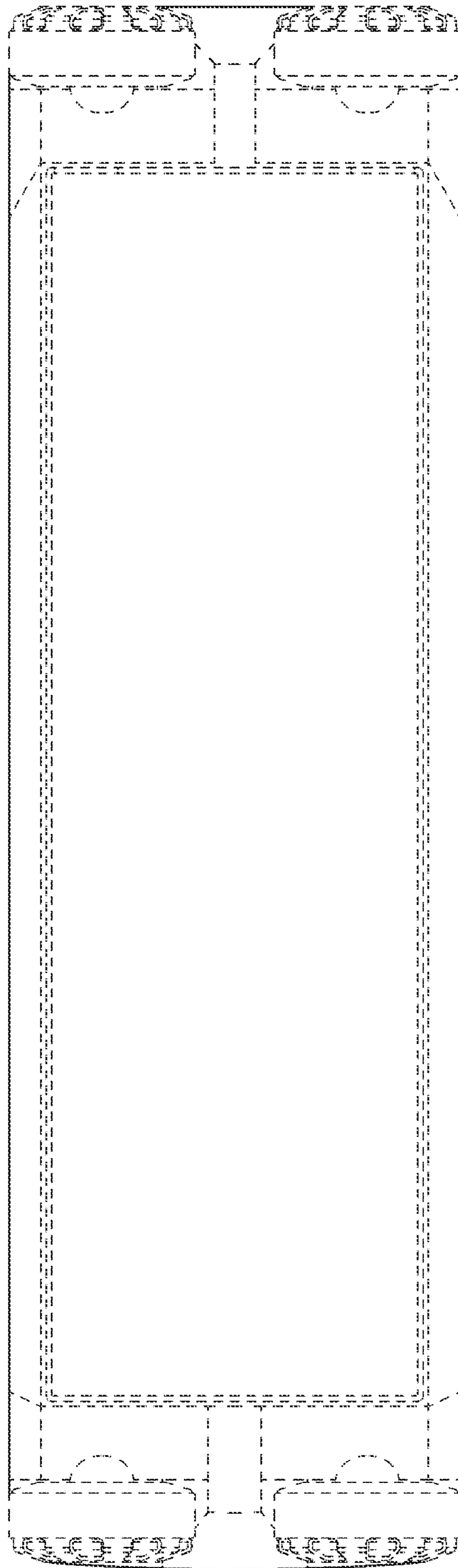


FIG. 7