



US00D623078S

(12) **United States Design Patent**
Hegi

(10) **Patent No.:** **US D623,078 S**
(45) **Date of Patent:** **** Sep. 7, 2010**

(54) **WRISTWATCH**

(75) Inventor: **Matthieu Hegi**, Troinex (CH)

(73) Assignee: **Richemont International S.A.**,
Villars-sur-Glane (CH)

(**) Term: **14 Years**

(21) Appl. No.: **29/358,994**

(22) Filed: **Apr. 2, 2010**

(30) **Foreign Application Priority Data**

Oct. 6, 2009 (WO) DM/072 457

(51) **LOC (9) Cl.** **10-02**

(52) **U.S. Cl.** **D10/32**

(58) **Field of Classification Search** D10/30-39,
D10/122-132; 368/276, 281, 282, 283, 286,
368/287, 223, 228, 229, 232, 233, 239

See application file for complete search history.

(56) **References Cited**

U.S. PATENT DOCUMENTS

1,199,256	A	*	9/1916	Farr	368/286
D51,182	S	*	8/1917	Lederer	D10/132
D79,166	S	*	8/1929	Roth	D10/39
D178,044	S	*	6/1956	Pasquier	D10/126
D179,835	S	*	3/1957	Bloch	D10/124
D181,620	S	*	12/1957	Bloch	D10/124
3,595,009	A	*	7/1971	Pakter et al.	368/80
D224,550	S	*	8/1972	Fainsilber	D10/22
D260,615	S	*	9/1981	Maroni	D10/32
D284,745	S	*	7/1986	Minkowitz	D10/38
D286,755	S	*	11/1986	Manfredi	D10/39
D308,178	S	*	5/1990	Zaboyan	D10/124
D314,710	S	*	2/1991	Weil	D10/32
D324,828	S	*	3/1992	Wunderman	D10/32
5,586,089	A	*	12/1996	McGarvey	368/223

D377,613	S	*	1/1997	Consolo	D10/32
D400,117	S	*	10/1998	Fischer	D10/124
D409,504	S	*	5/1999	Collier	D10/34
D423,949	S	*	5/2000	Stoll	D10/32
D455,660	S	*	4/2002	Bach et al.	D10/32
D481,967	S	*	11/2003	Cohen	D10/132
D509,759	S	*	9/2005	Scheufele	D10/39
D510,038	S	*	9/2005	Scheufele	D10/39
7,061,833	B2	*	6/2006	Dierenbach	368/76
D546,715	S	*	7/2007	Gruosi-Scheufele	D10/39
D547,224	S	*	7/2007	Cramer	D10/126
D552,002	S	*	10/2007	Eisler	D10/126
D553,041	S	*	10/2007	Vidal	D10/124
D567,679	S	*	4/2008	Iff	D10/39
D569,277	S	*	5/2008	Chastaingt	D10/39
D596,049	S	*	7/2009	Jorst et al.	D10/32

* cited by examiner

Primary Examiner—Lucy Lieberman

(74) *Attorney, Agent, or Firm*—Young & Thompson

(57) **CLAIM**

The ornamental design for a wristwatch, as shown and described.

DESCRIPTION

FIG. 1 is a top view of the wristwatch.

FIG. 2 is a bottom view of the wristwatch.

FIG. 3 is a side view from the bottom of FIG. 1.

FIG. 4 is a side view from the top of FIG. 1.

FIG. 5 is a side view from the right of FIG. 1.

FIG. 6 is a side view from the left of FIG. 1.

FIG. 7 is a perspective view of the wristwatch; and,

FIG. 8 is a perspective view of the wristwatch with the two moving ellipses in a different position.

1 Claim, 2 Drawing Sheets

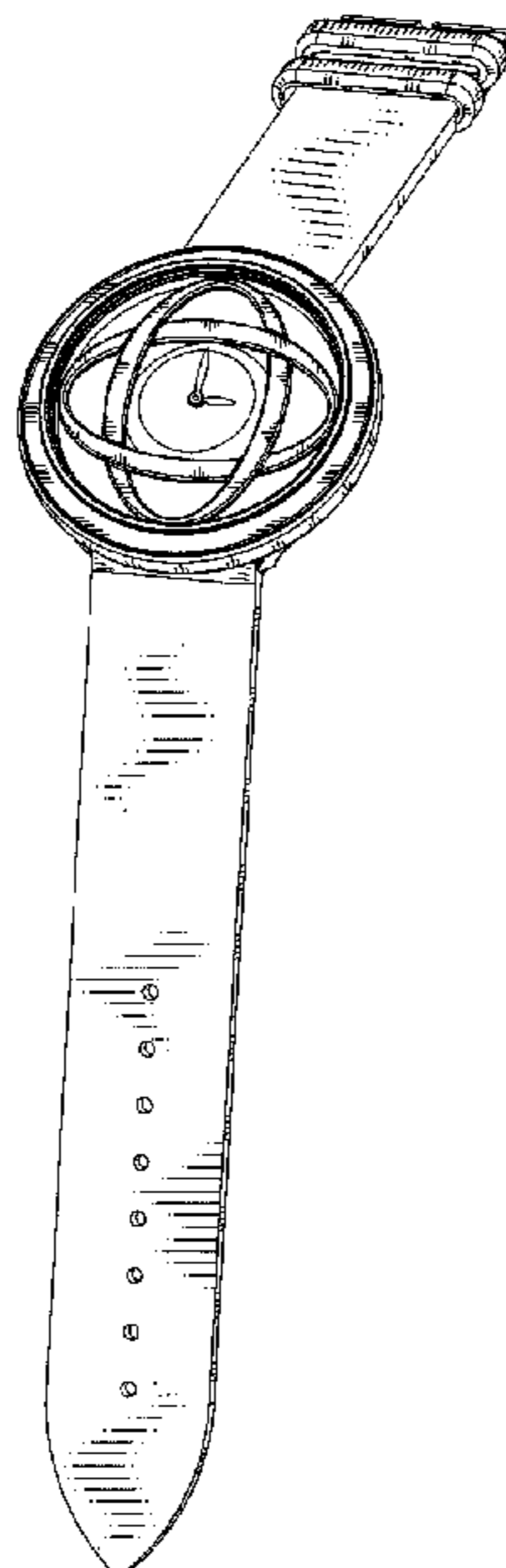


Fig.1

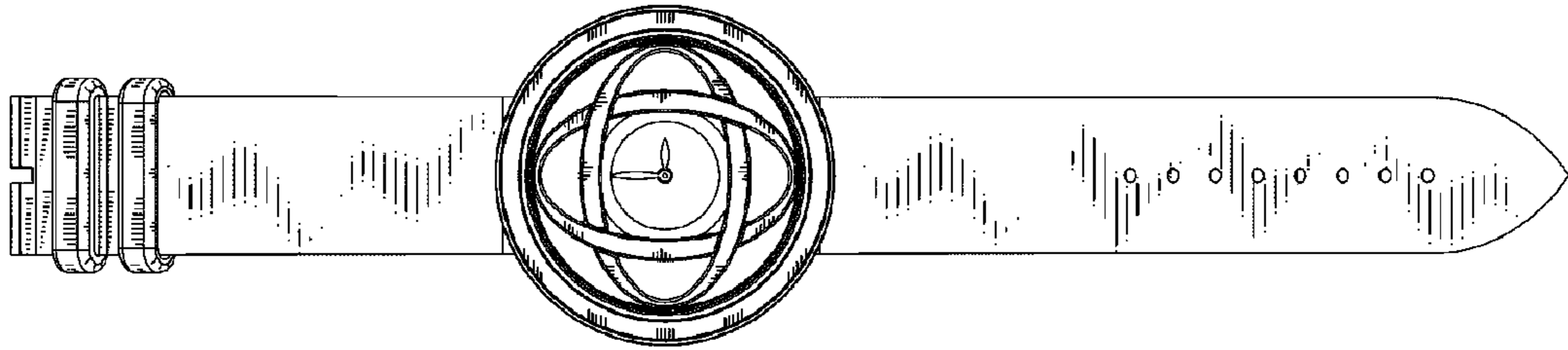


Fig.2

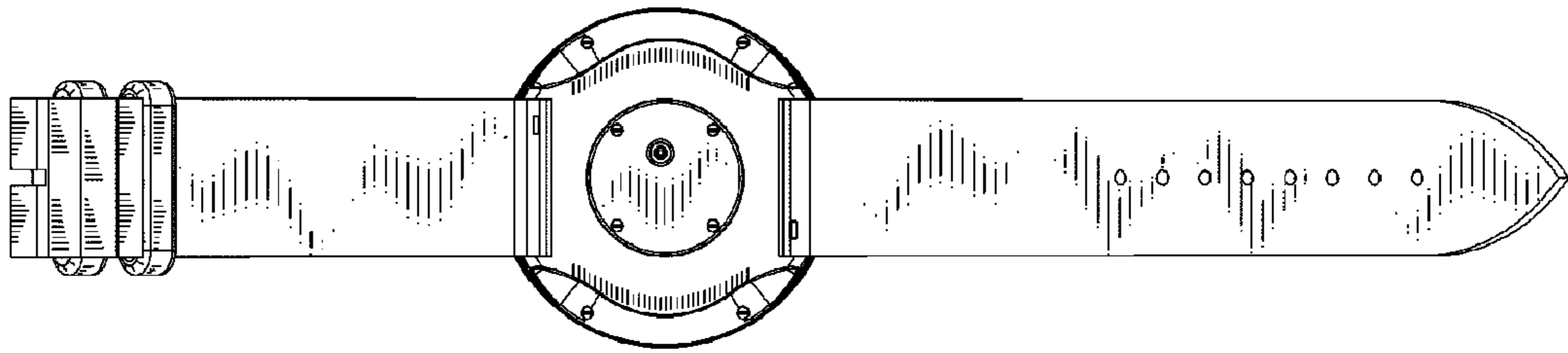


Fig.3

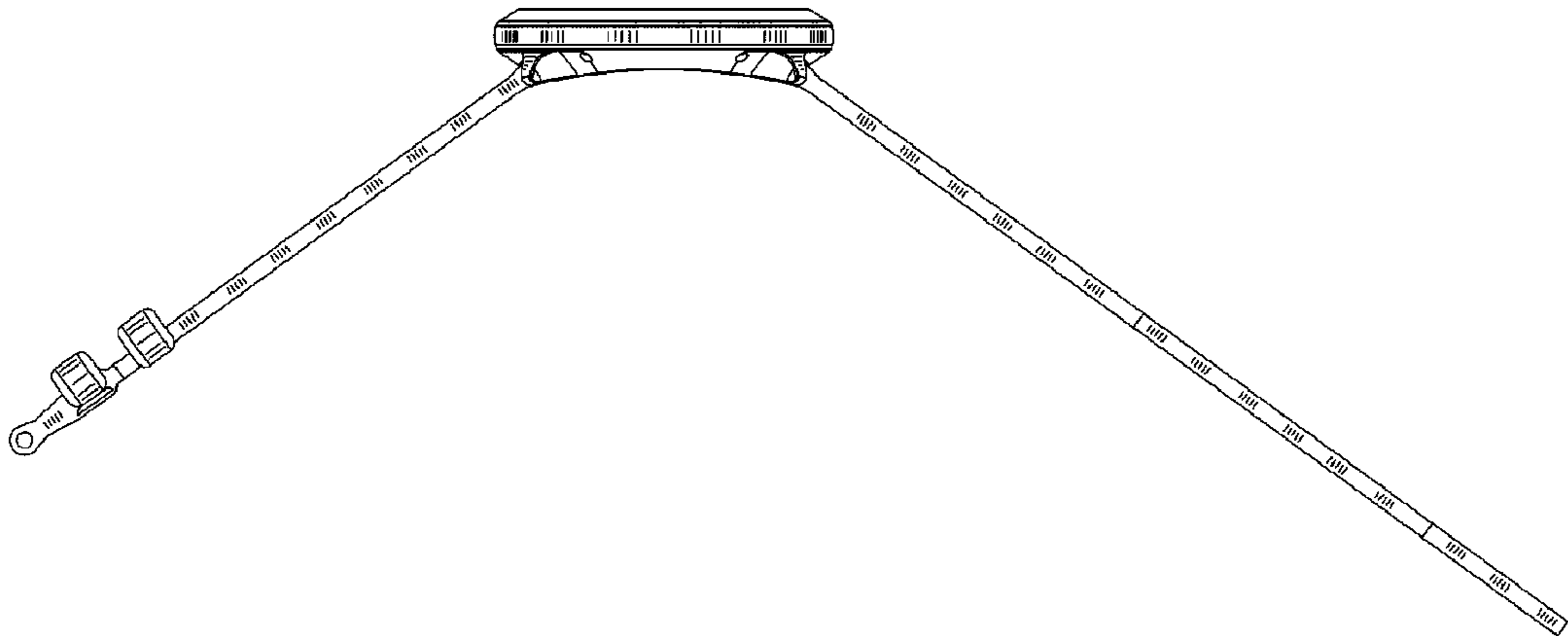


Fig.4

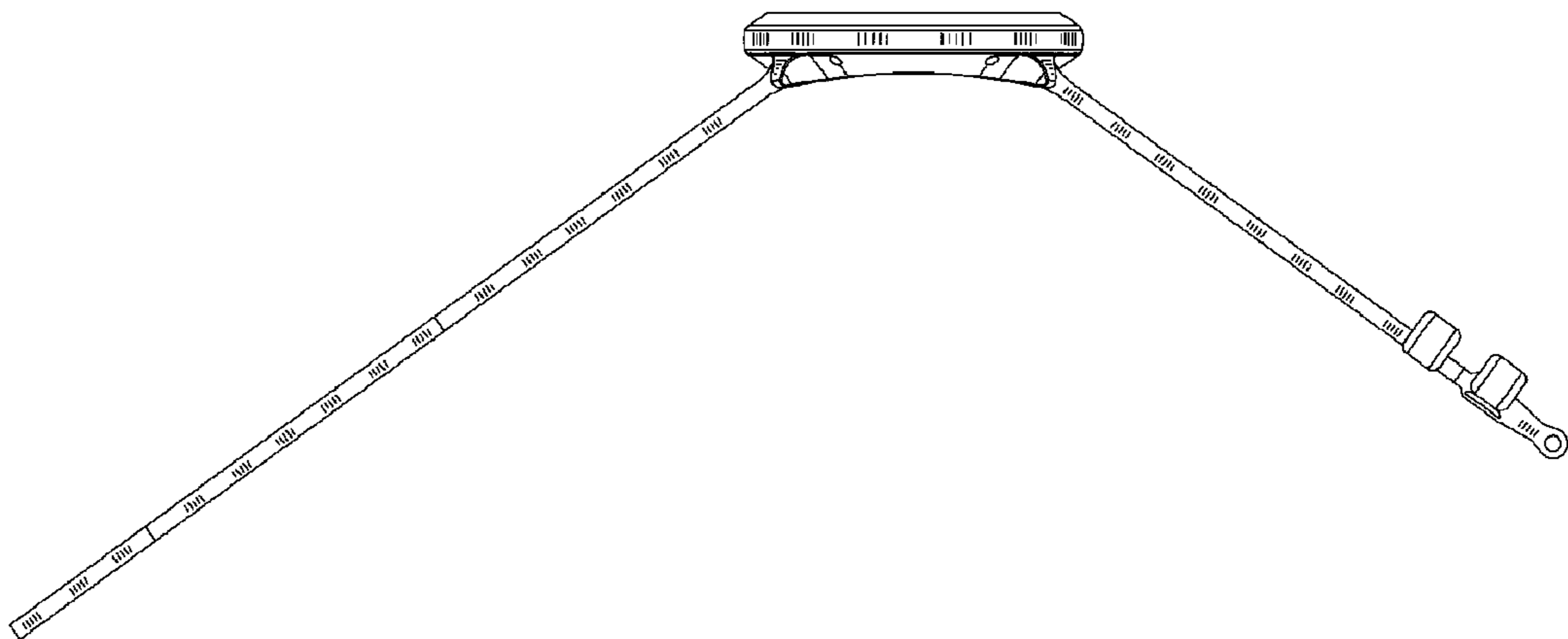


Fig.5

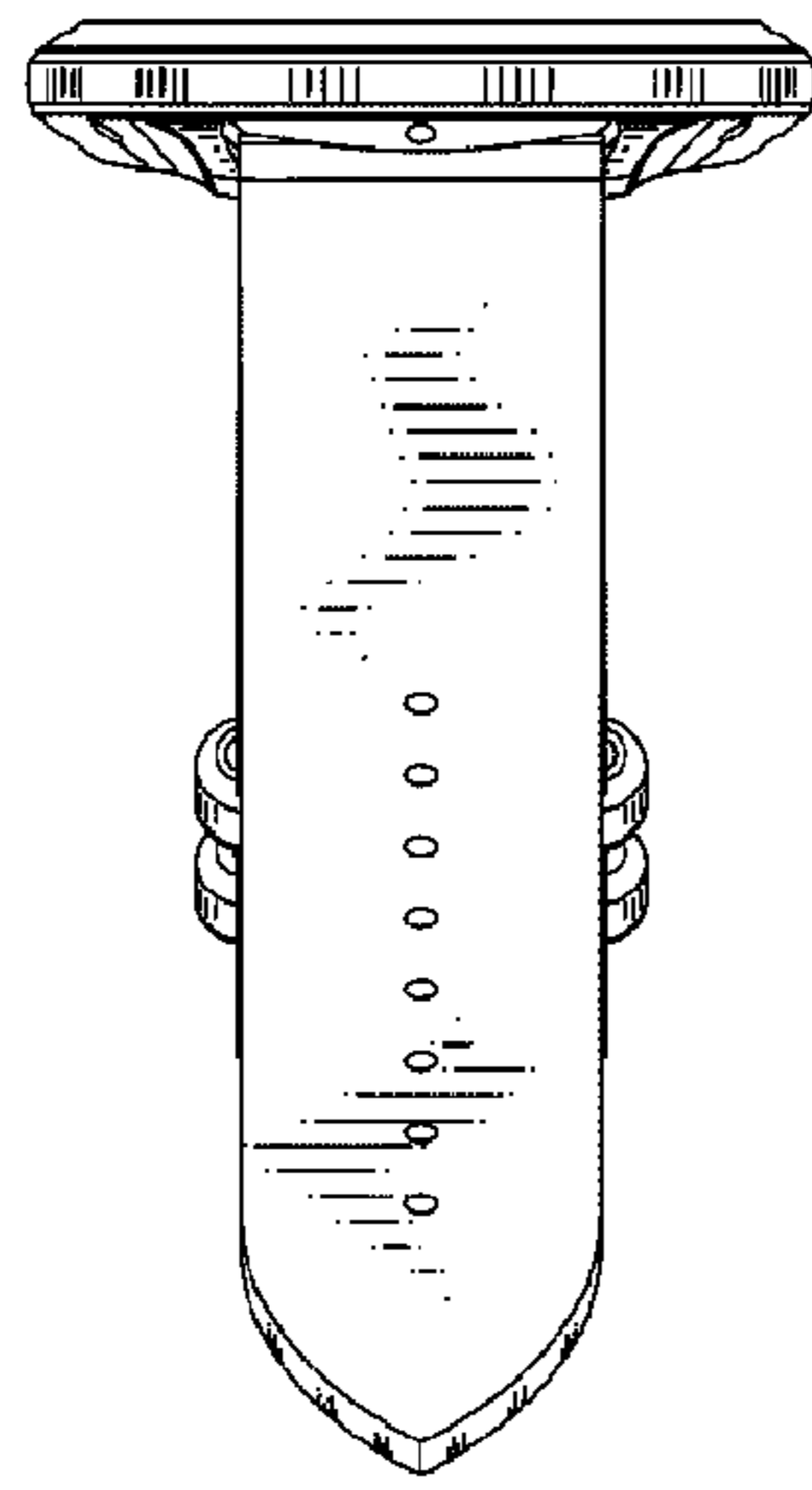


Fig.6

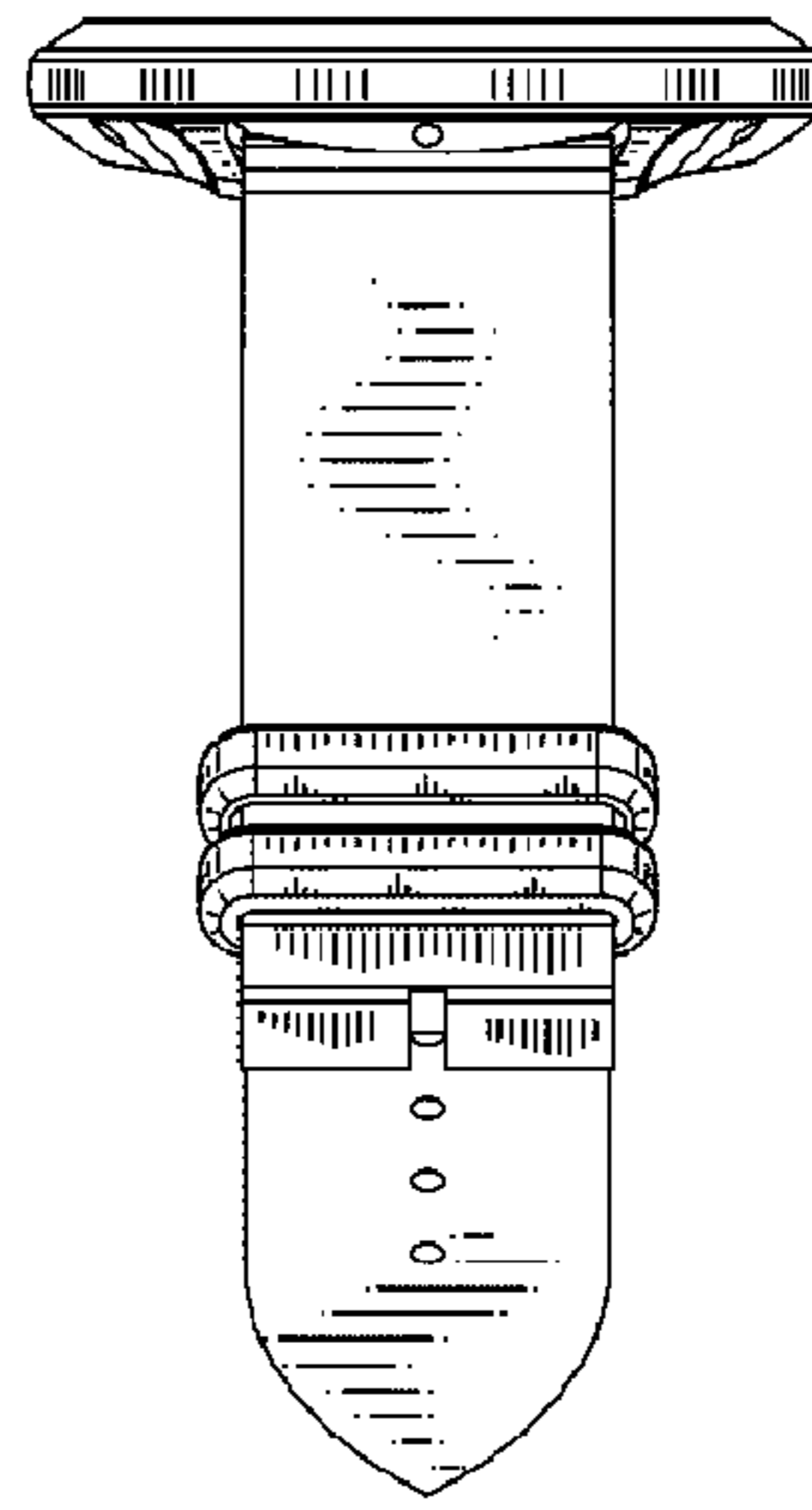


Fig.7

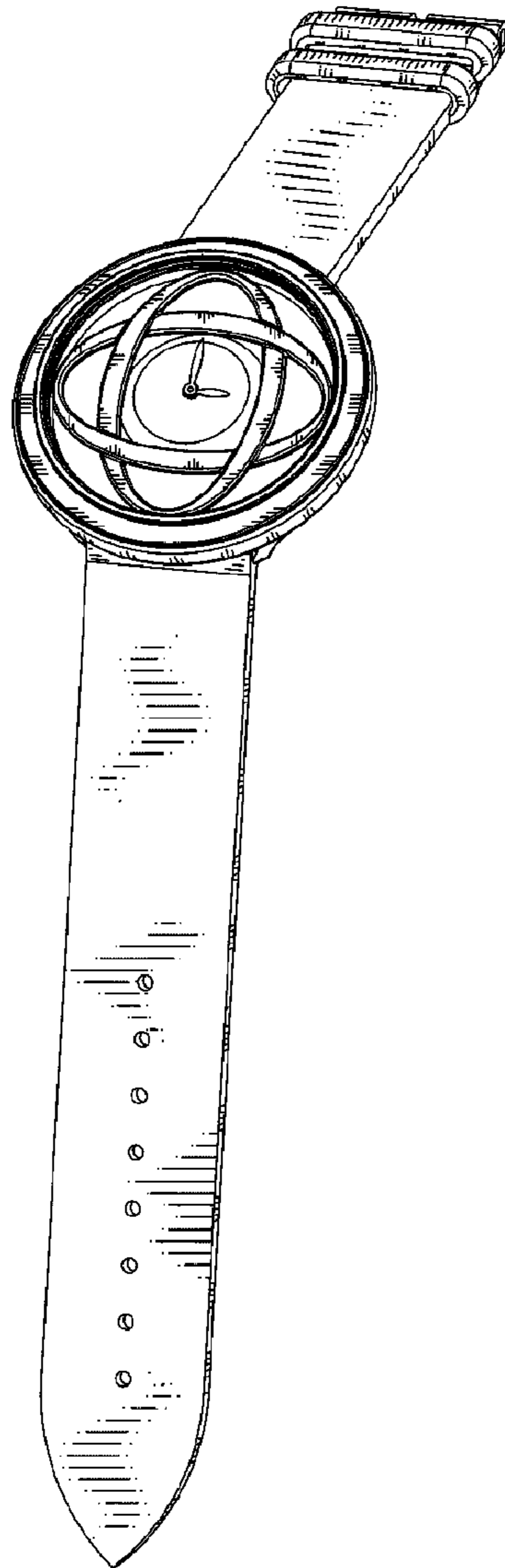


Fig.8

