



US00D623066S

(12) **United States Design Patent**
Mongeon et al.

(10) **Patent No.:** **US D623,066 S**

(45) **Date of Patent:** **** Sep. 7, 2010**

(54) **COSMETIC BOTTLE**

(75) Inventors: **Murphy Greene Mongeon**, Baltimore, MD (US); **Ian Andrew Carnduff**, New York, NY (US)

(73) Assignee: **The Procter & Gamble Company**, Cincinnati, OH (US)

(**) Term: **14 Years**

(21) Appl. No.: **29/327,042**

(22) Filed: **Oct. 29, 2008**

(51) **LOC (9) Cl.** **09-01**

(52) **U.S. Cl.** **D9/529; D9/558; D9/573; D9/574**

(58) **Field of Classification Search** D9/723–726, D9/516–575, 682–694, 434–436, 600–681; D28/76, 77; 215/379, 382; 220/669, 675
See application file for complete search history.

(56) **References Cited**

U.S. PATENT DOCUMENTS

D92,461 S *	6/1934	Fuerst et al.	D9/624
D97,639 S *	11/1935	Factor	D9/558
D203,227 S *	12/1965	Utley	D9/558
D207,511 S *	4/1967	Riordan et al.	D9/529
D212,072 S *	8/1968	MacLennan	D9/724
D220,870 S *	6/1971	Muscatiello	D9/529
D223,335 S *	4/1972	Donoghue	D9/529
D236,802 S *	9/1975	McDonald	D9/558
D250,248 S *	11/1978	Grip	D9/726
D275,454 S *	9/1984	Mitchell	D9/724
D279,454 S *	7/1985	Fleming	D9/529
D281,397 S *	11/1985	Dearing	D9/724

D294,804 S *	3/1988	Lunderman et al.	D9/529
D302,385 S *	7/1989	Weiler	D9/529
D329,605 S *	9/1992	Crawford	D9/529
D337,272 S *	7/1993	Joo	D9/529
D459,229 S *	6/2002	Paul	D9/529
D545,678 S *	7/2007	Dittmer et al.	D9/504
D591,168 S *	4/2009	Otsuka	D9/724

FOREIGN PATENT DOCUMENTS

EM	000559562.0001	8/2006
EM	000340583-0001	* 8/2007
GB	002053163	4/1996
GB	002103966	11/2001
WO	WO000022967.0001	7/1992

* cited by examiner

Primary Examiner—Catherine Tuttle

(74) *Attorney, Agent, or Firm*—Megan C. Hymore; James C. Vago; Carl J. Roof

(57) **CLAIM**

The ornamental design for a cosmetic bottle, as shown and described.

DESCRIPTION

FIG. 1 is a perspective front view of a cosmetic bottle, embodying the new design;

FIG. 2 is a front view of the design shown in FIG. 1;

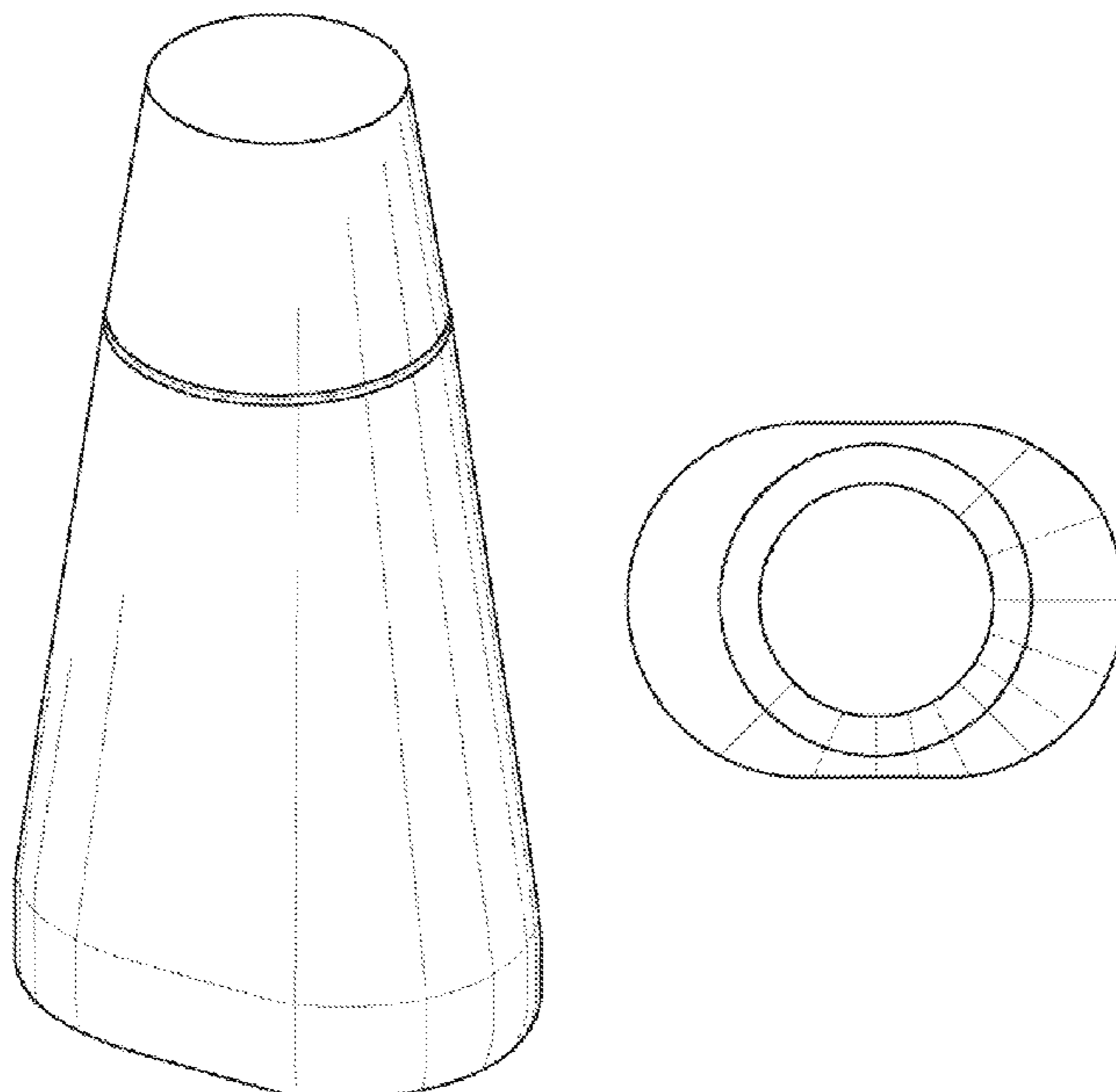
FIG. 3 is a back view of the design shown in FIG. 1;

FIG. 4 is a left side view of the design shown in FIG. 1;

FIG. 5 is a right side view of the design shown in FIG. 1; and,

FIG. 6 is a top view of the design shown in FIG. 1.

1 Claim, 4 Drawing Sheets



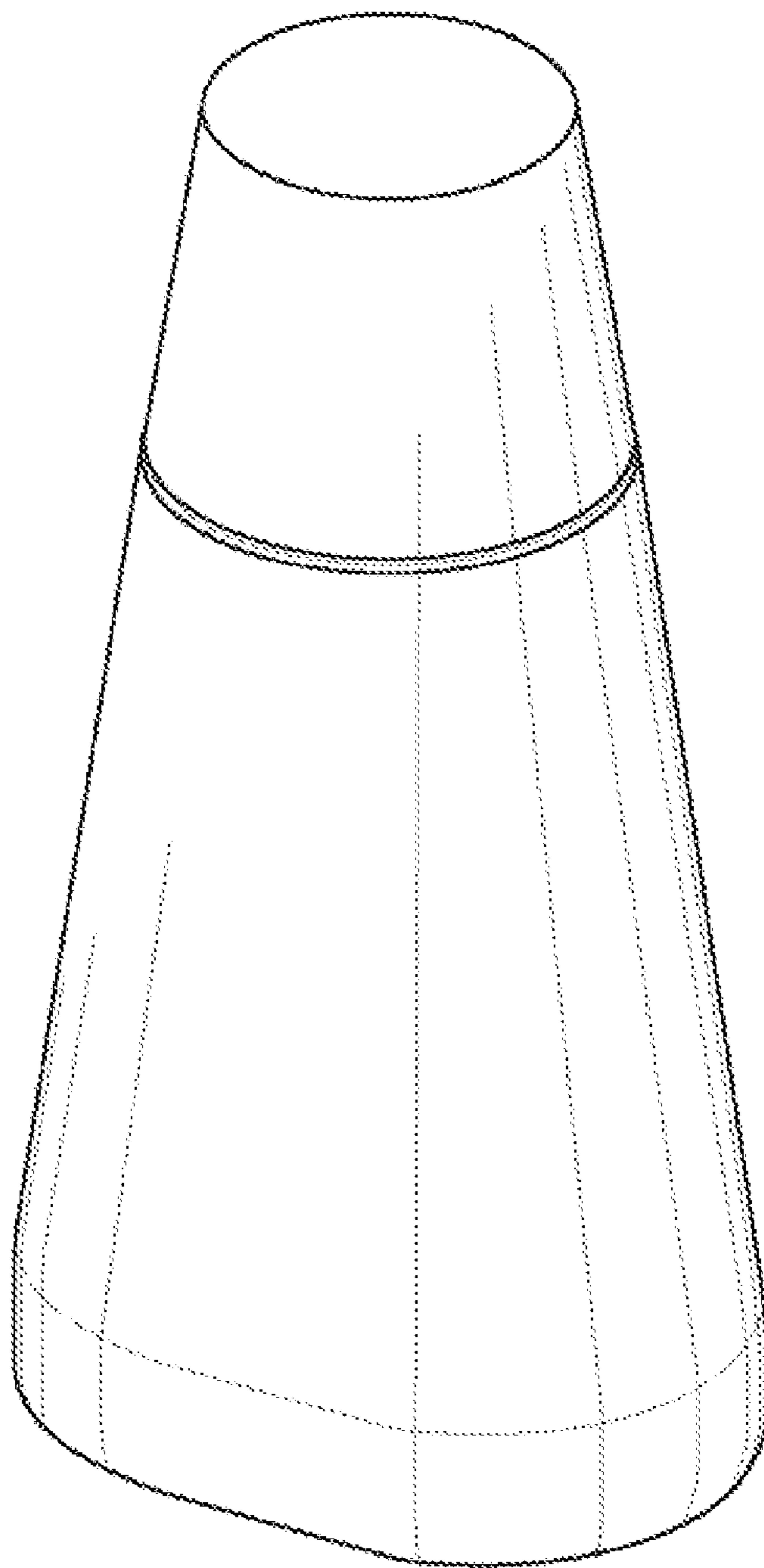


Fig. 1

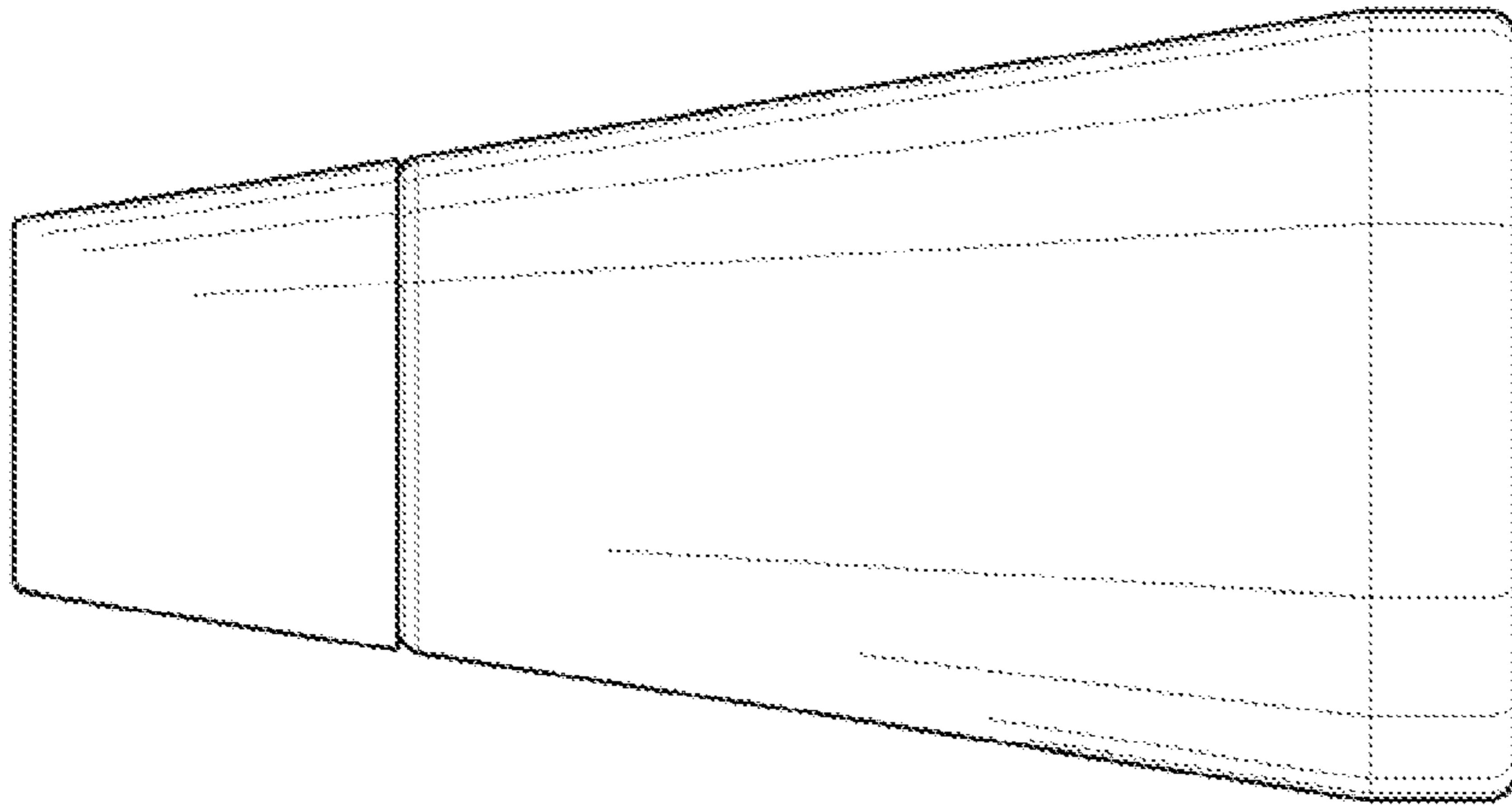


Fig. 2

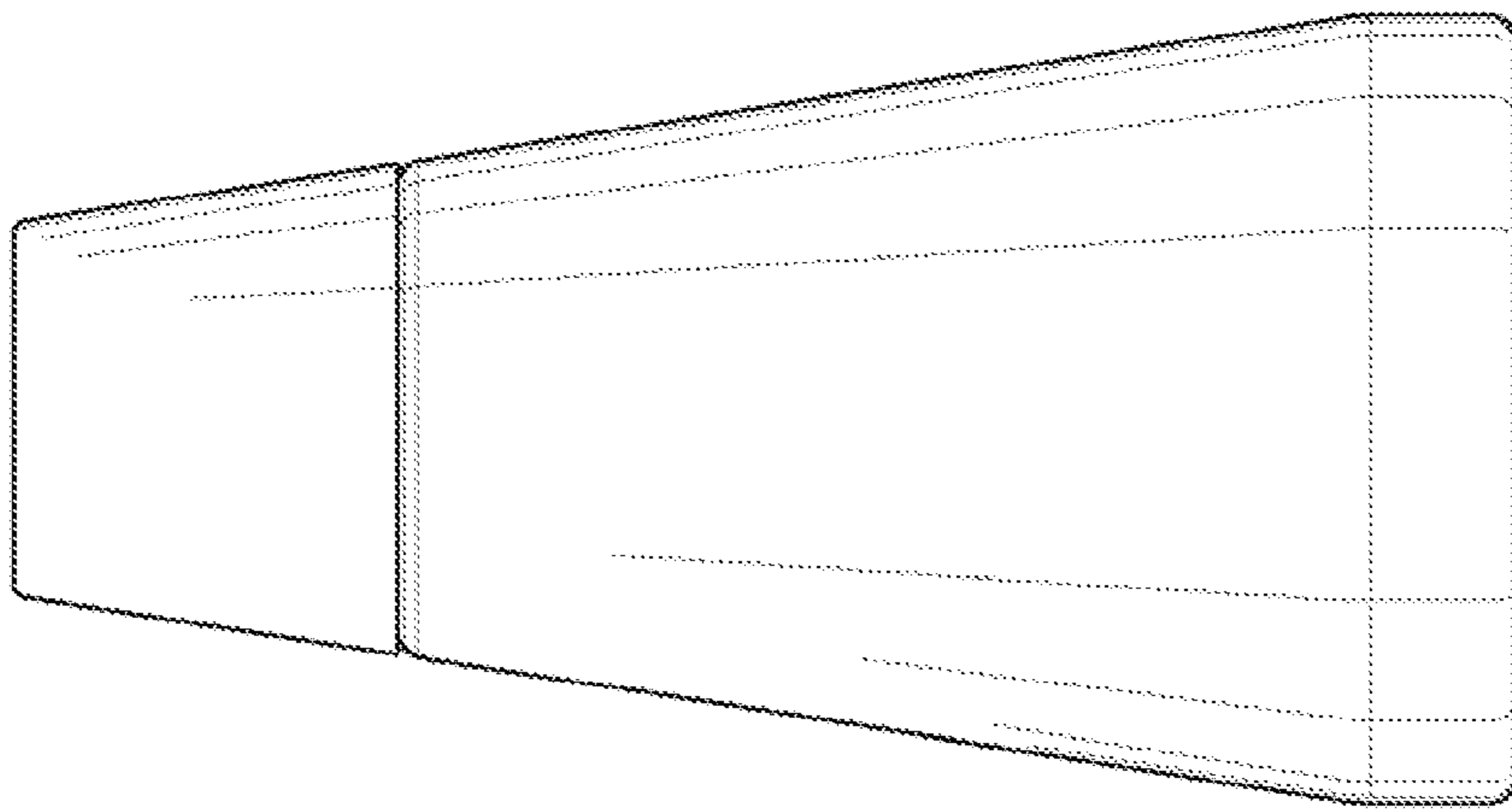


Fig. 3



Fig. 5

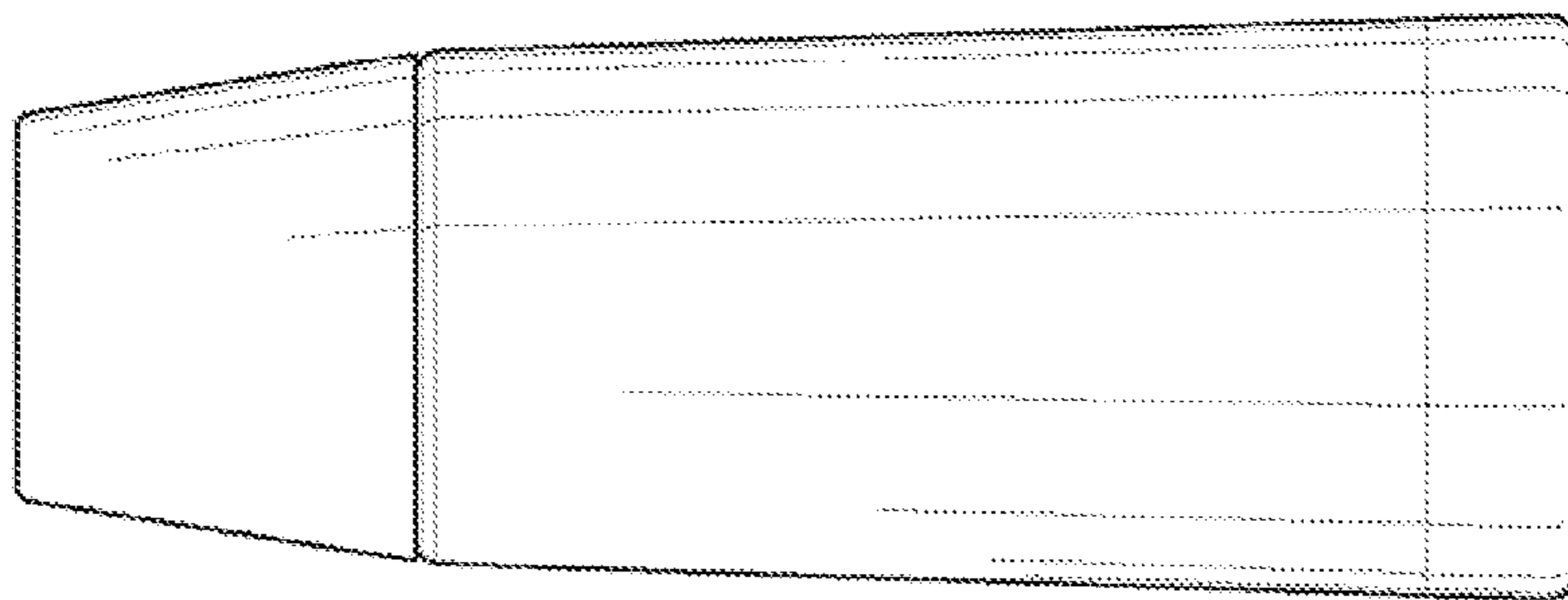


Fig. 4

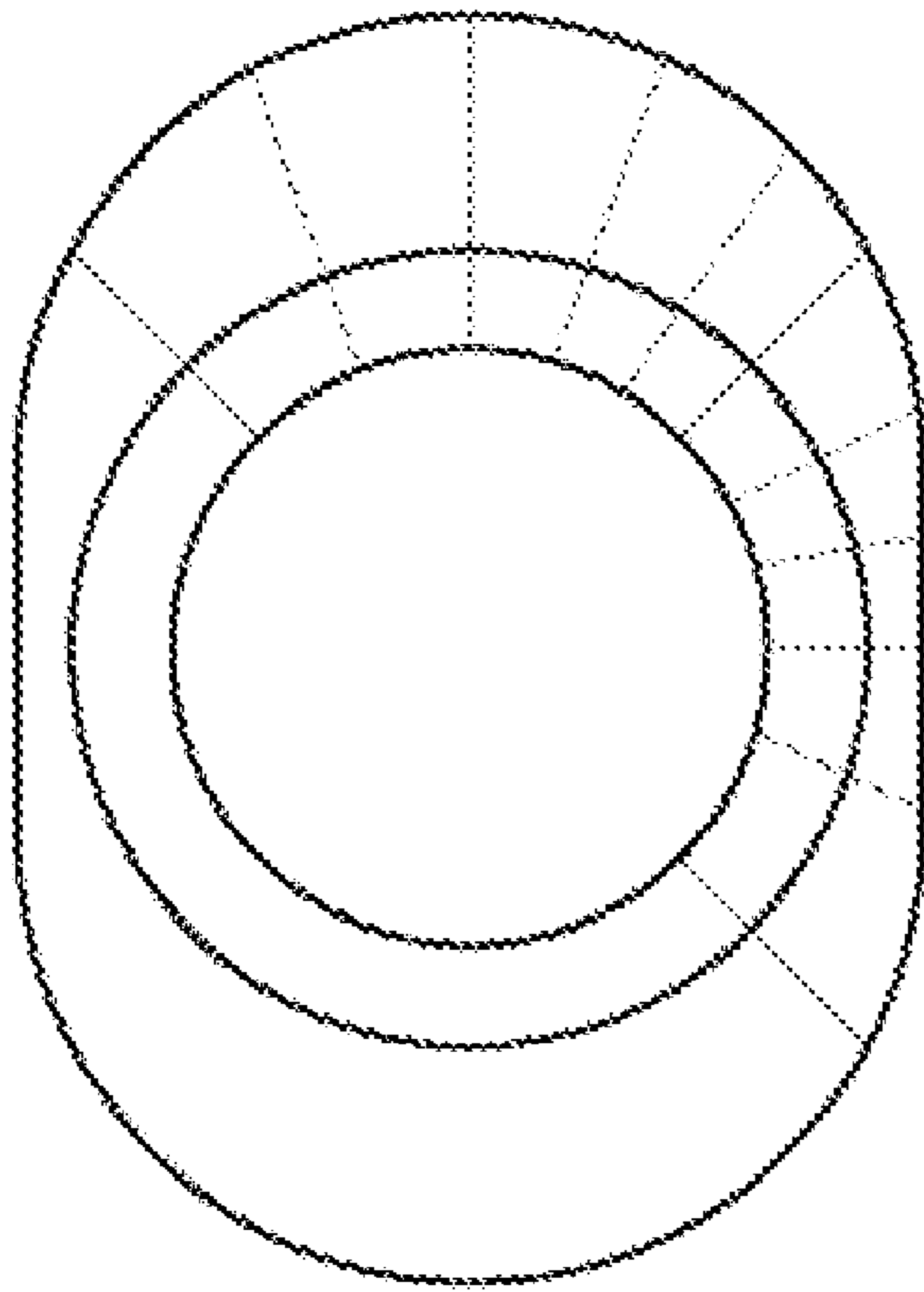


Fig. 6