



US00D623062S

(12) **United States Design Patent**
Gullickson et al.

(10) **Patent No.:** **US D623,062 S**
(45) **Date of Patent:** **** Sep. 7, 2010**

(54) **LID**

D567,659 S * 4/2008 Gran et al. D9/516

(75) Inventors: **Mark Gullickson**, Santa Monica, CA
(US); **Erik R. Chin**, Las Vegas, NV
(US); **Jeffrey A. Higashi**, Torrance, CA
(US); **Tola I. Chin**, Las Vegas, NV (US)

* cited by examiner

Primary Examiner—Susan Bennett Hattan
(74) *Attorney, Agent, or Firm*—Booth Udall, PLC; Steven J.
Laureanti

(73) Assignee: **i2 Technologies US, Inc.**, Dallas, TX
(US)

(57) **CLAIM**

(**) Term: **14 Years**

The ornamental design for an ornamental lid, as shown and described.

(21) Appl. No.: **29/353,679**

DESCRIPTION

(22) Filed: **Jan. 12, 2010**

(51) **LOC (9) Cl.** **09-07**

(52) **U.S. Cl.** **D9/454; D9/447**

(58) **Field of Classification Search** D9/529,
D9/521, 454, 452, 447, 445, 435, 530, 453,
D9/724, 448, 538, 438; 220/200, 806, 716,
220/258.2, 257.1; 215/200, 261, 260; 222/520,
222/521, 212

FIG. 1 is a perspective view of the present invention;
FIG. 2 is another perspective view of the present invention;
FIG. 3 is a front view of the present invention;
FIG. 4 is a right side view of the present invention;
FIG. 5 is a left side view of the present invention;
FIG. 6 is a back view of the present invention;
FIG. 7 is a top view of the present invention; and,
FIG. 8 is a bottom view of the present invention.

See application file for complete search history.

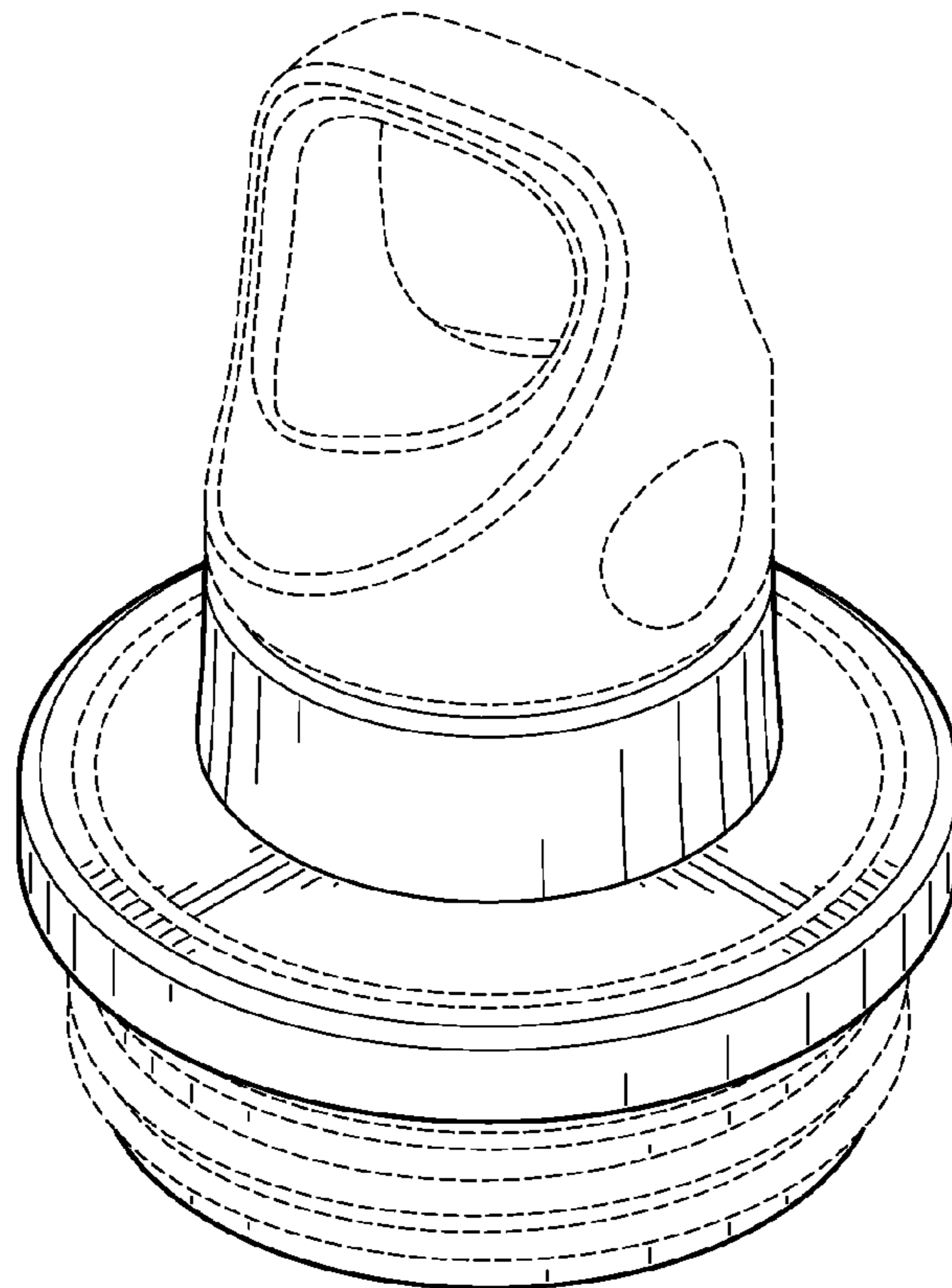
The broken lines in the Figures immediately adjacent the solid lines represent the bounds of the claim, and the broken lines and the area within the broken lines represent unclaimed portions of the present invention. None of the broken lines form a part of the claimed design.

(56) **References Cited**

U.S. PATENT DOCUMENTS

D453,472 S * 2/2002 Kwong D9/447
D551,550 S * 9/2007 Noonan D9/454

1 Claim, 3 Drawing Sheets



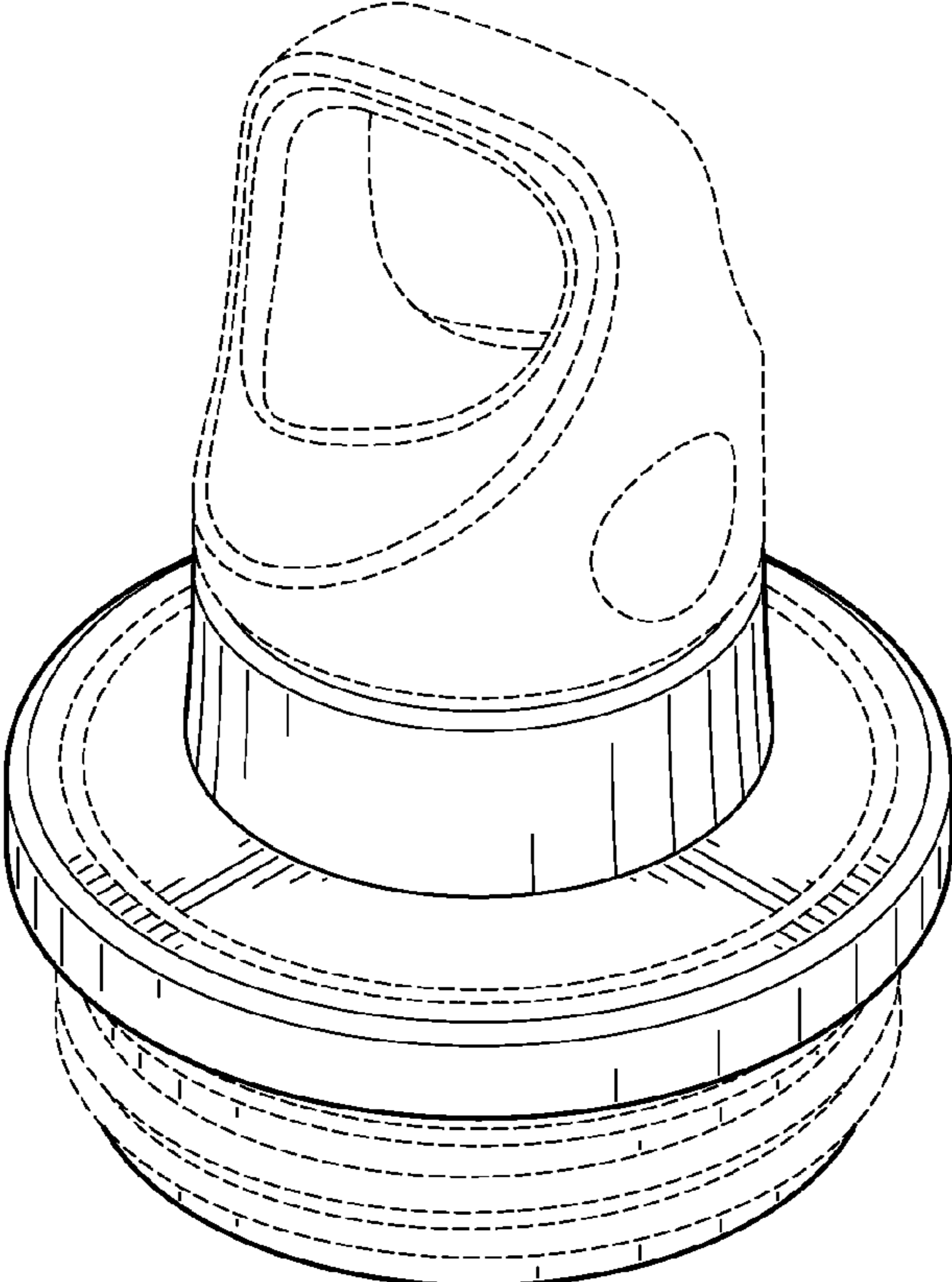


FIG. 1

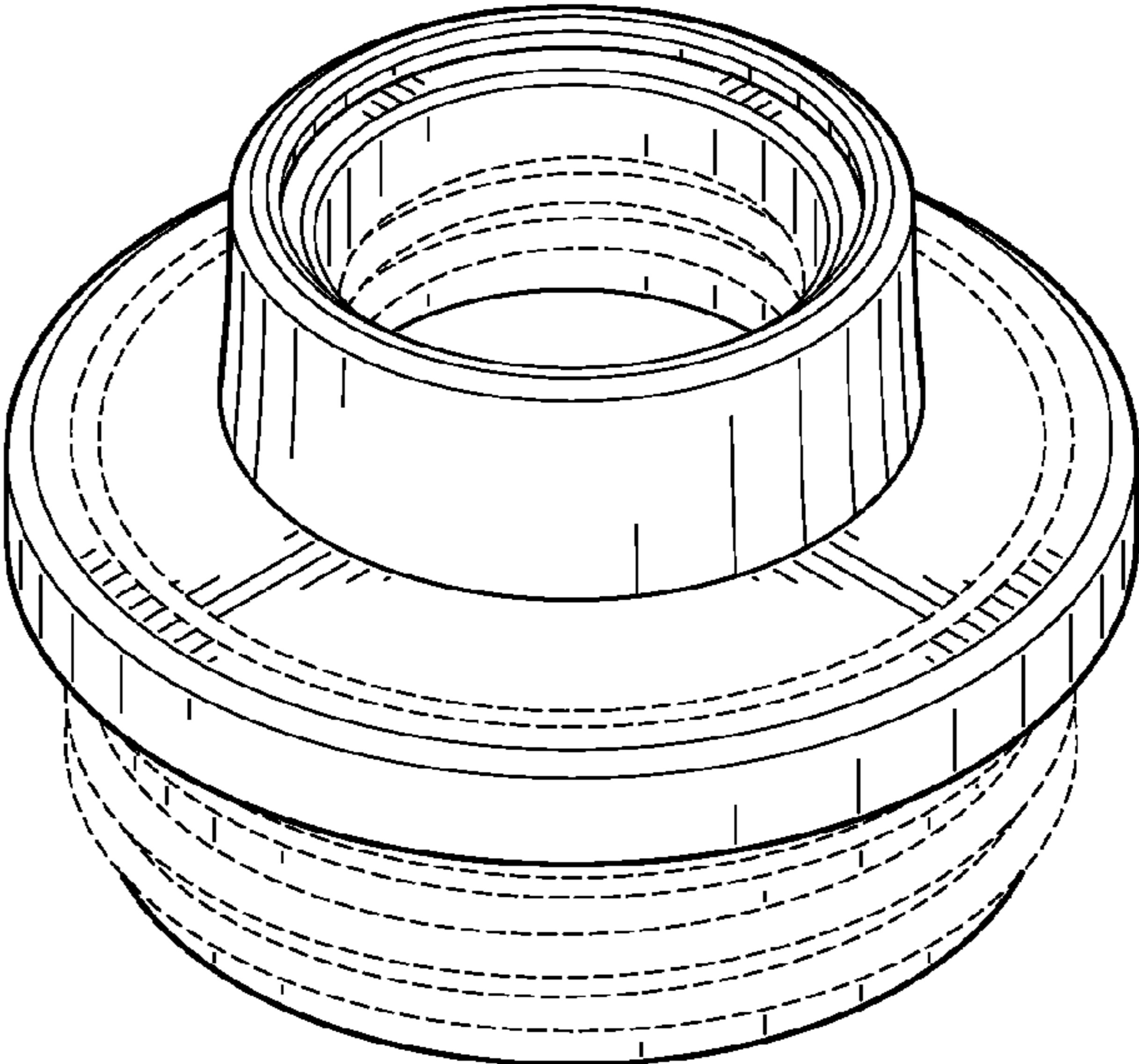


FIG. 2

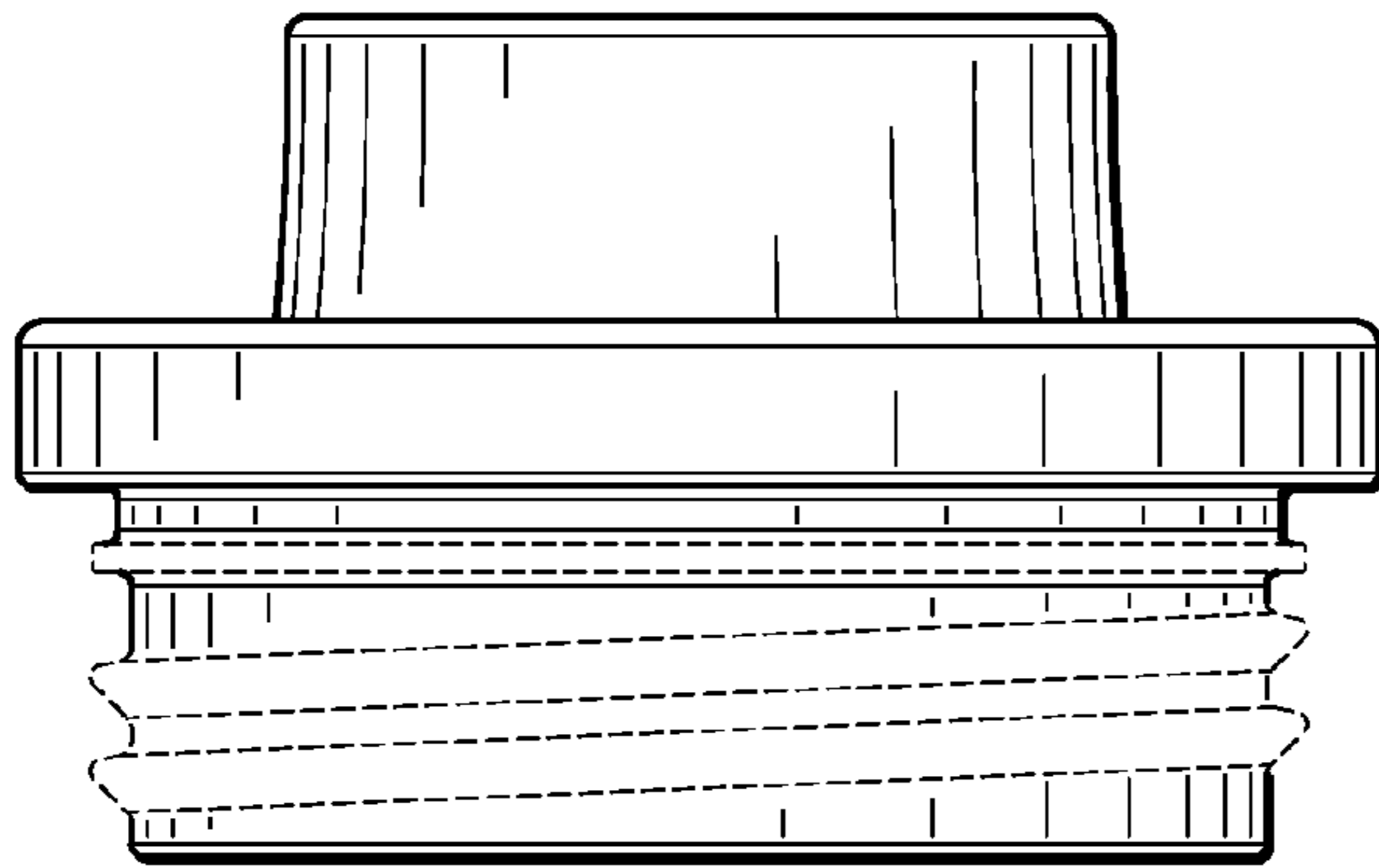


FIG. 3

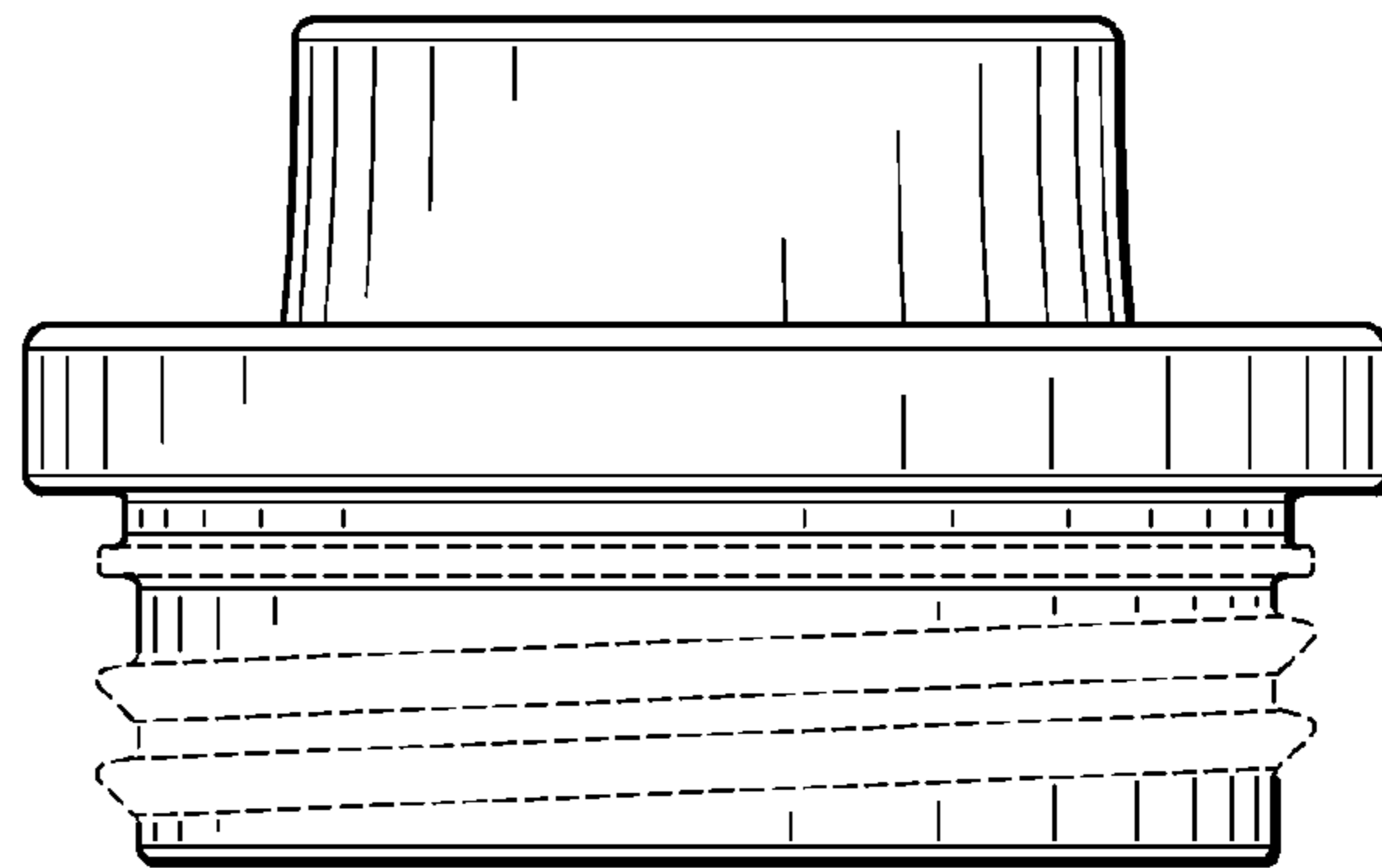


FIG. 4

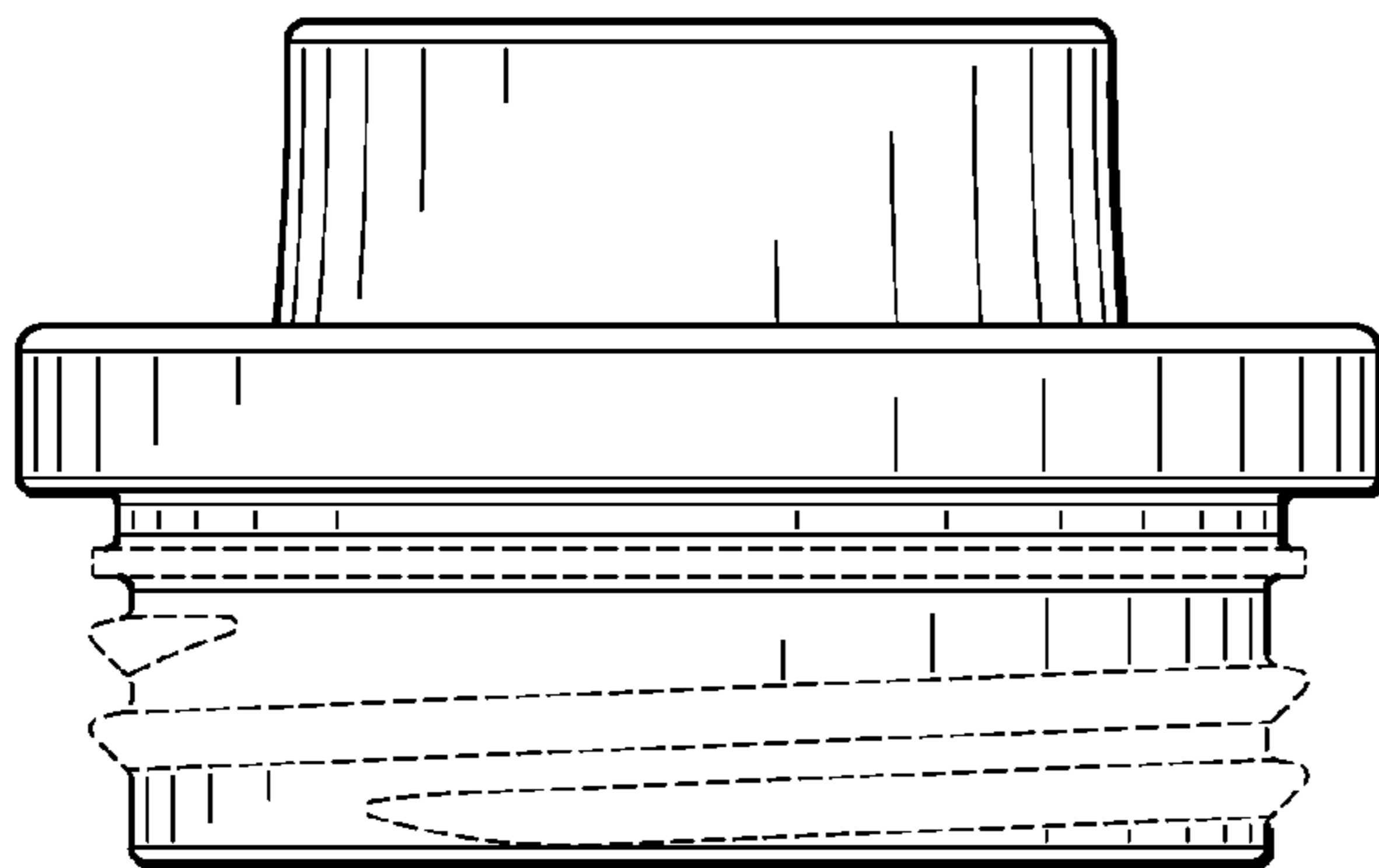


FIG. 5

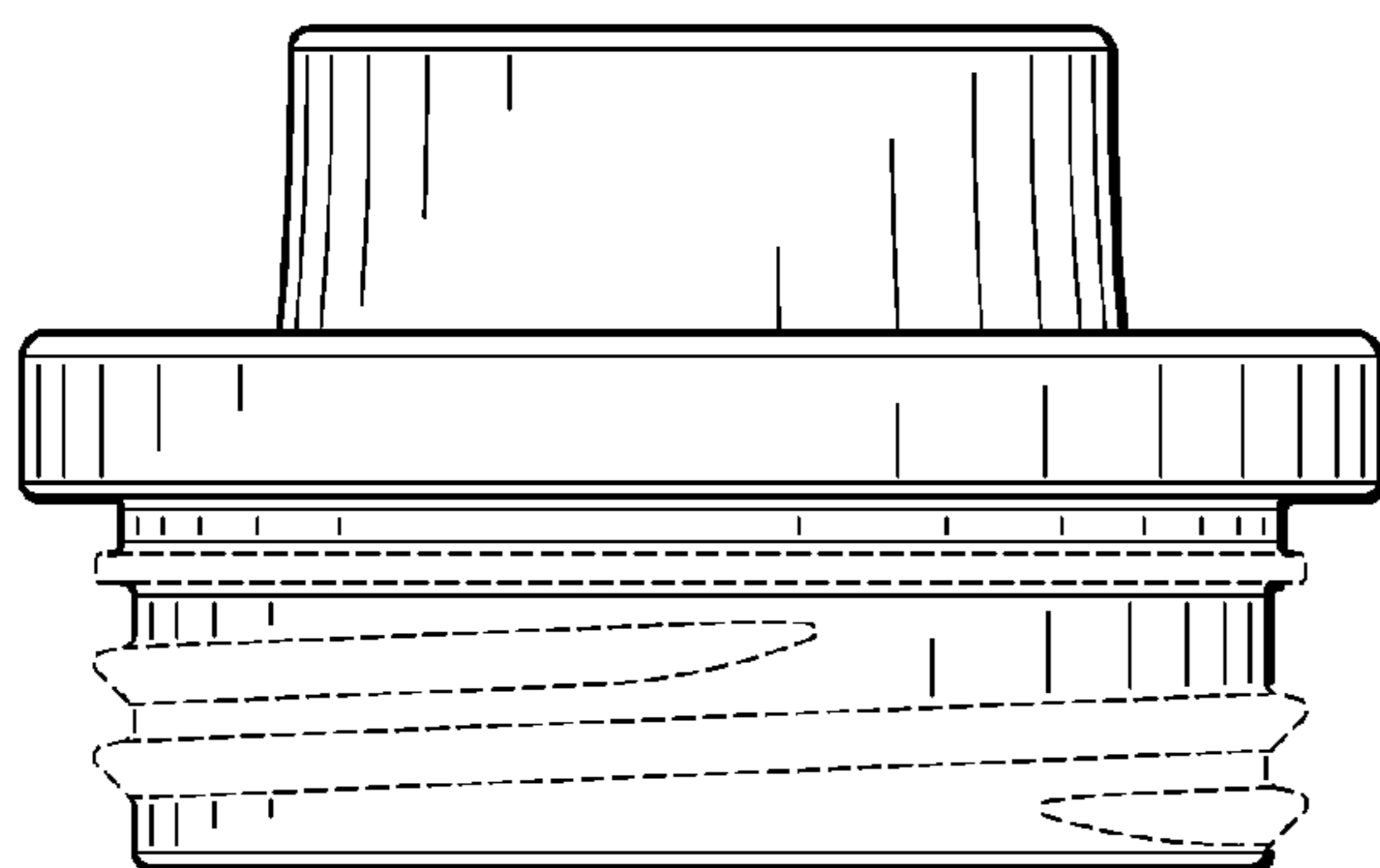


FIG. 6

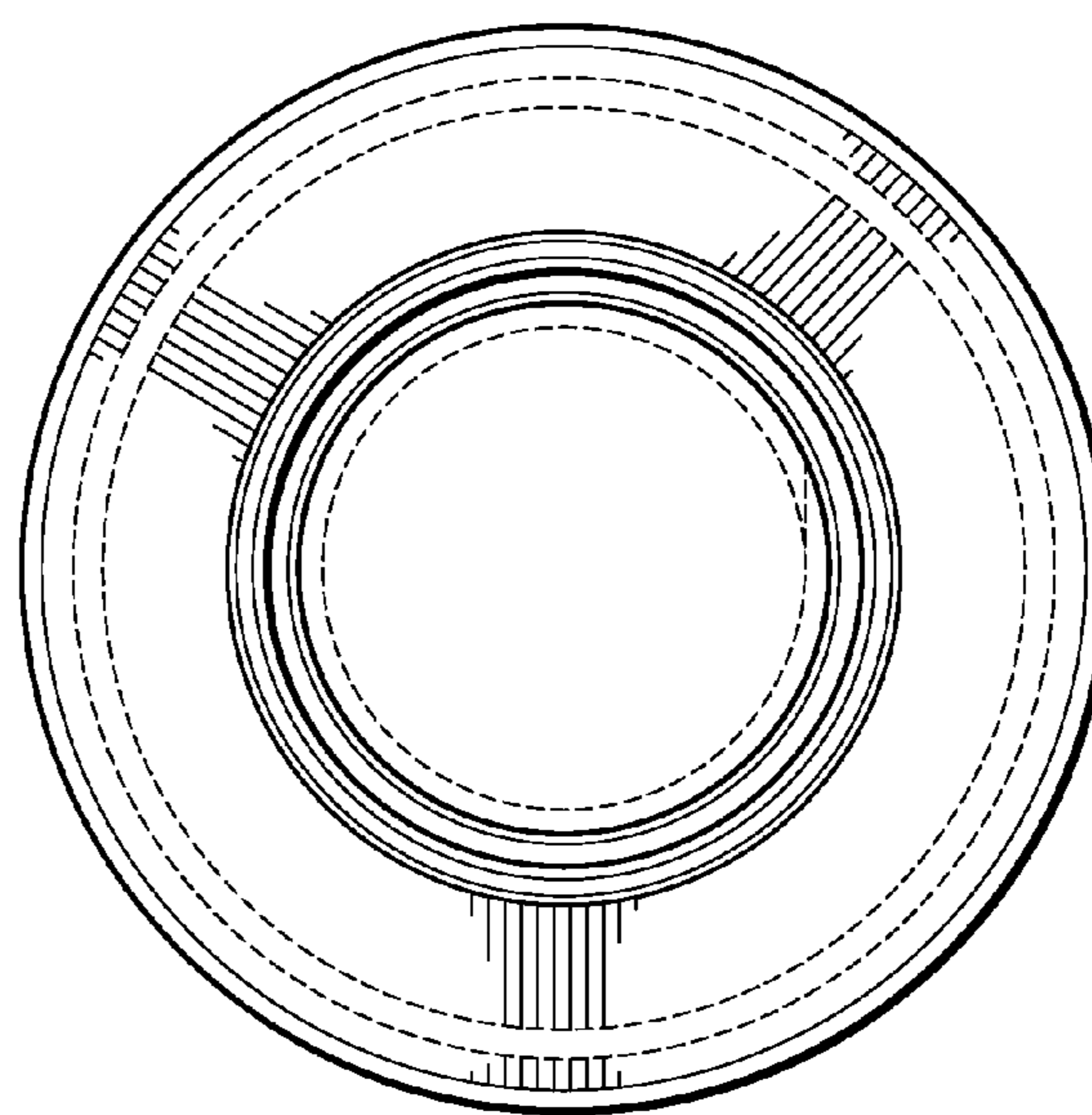


FIG. 7

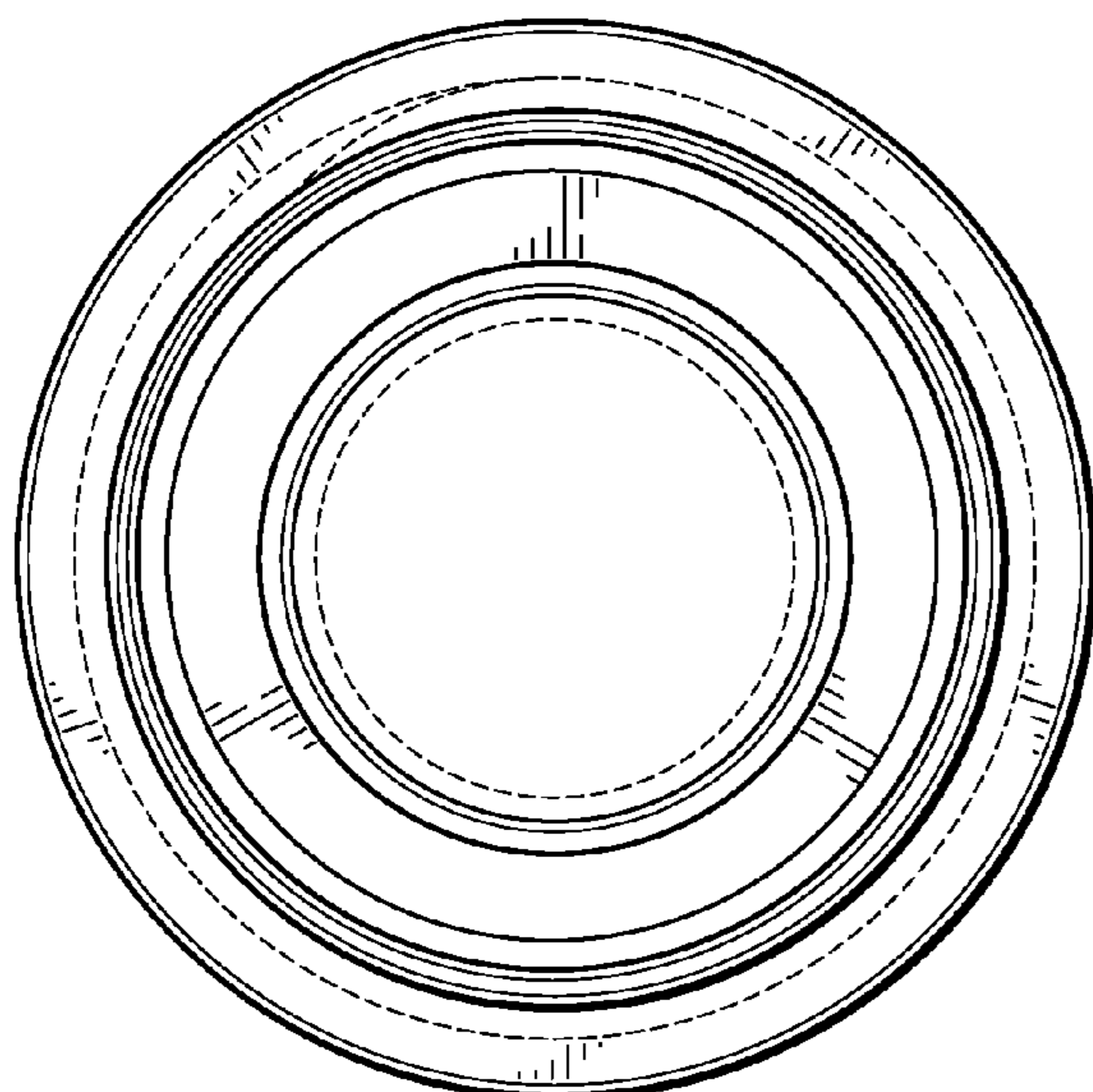


FIG. 8