



US00D623060S

(12) **United States Design Patent**
Hassamanci

(10) **Patent No.:** **US D623,060 S**

(45) **Date of Patent:** **** Sep. 7, 2010**

(54) **BOTTLE CLOSURE**

(75) Inventor: **Engin Hassamanci**, Istanbul (TR)

(73) Assignee: **Kent Gida Maddeleri Sanayii Ve Ticaret Anonim Sirketi**, Kocaeli (TR)

(**) Term: **14 Years**

(21) Appl. No.: **29/313,481**

(22) Filed: **Jan. 9, 2009**

(30) **Foreign Application Priority Data**

Jul. 11, 2008 (TR) 2008/3995

(51) **LOC (9) Cl.** **09-04**

(52) **U.S. Cl.** **D9/449; D9/438**

(58) **Field of Classification Search** D9/500,
D9/502-505, 516, 537-540, 549, 557-558,
D9/415-416, 424, 435, 438, 453-454; 215/379,
215/381-384; 220/660, 662, 669-673, 675
See application file for complete search history.

(56) **References Cited**

U.S. PATENT DOCUMENTS

1,197,389	A *	9/1916	Newton	215/383
D312,044	S *	11/1990	Davis	D9/438
D381,906	S *	8/1997	Bartsch	D9/438
D456,265	S *	4/2002	Spear	D9/502
D517,916	S *	3/2006	Satt	D9/449
D531,856	S *	11/2006	Seum et al.	D7/523
D545,131	S *	6/2007	Seum et al.	D7/523
D547,611	S *	7/2007	Seum et al.	D7/511
D554,508	S *	11/2007	YunFu	D9/520
D580,764	S *	11/2008	Shale	D9/500
D582,723	S *	12/2008	Renz et al.	D7/523

OTHER PUBLICATIONS

http://www.gnpd.com—Intel gnpd—Oxy Tarm by Med-Eq—Published on Aug. 14, 2003—Intestinal Cleansing Tablets—2 pages.

http://www.gnpd.com—Intel gnpd—Calcia Pure D by Hankintatukku—Published Jun. 4, 2004—Vitamin D & Calcium Supplement—2 pages.

http://www.gnpd.com—Intel gnpd—Orthica MSM—1000 by Orthica—Published May 6, 2004—Vitamins & Dietary Supplements—2 pages.

http://www.gnpd.com—Intel gnpd—Junior Time Multivitamins Plus by Kordel's—Published May 2, 2002—Vitamins & Dietary Supplements—1 page.

http://www.gnpd.com—Intel gnpd—Vita-Calsor by Orion—Published Mar. 14, 2002—Vitamins & Dietary Supplements—1 page.

http://www.gnpd.com—Intel gnpd—Silica by Optimax—Published Apr. 29, 2003—Vitamins & Dietary Supplements—2 pages.

* cited by examiner

Primary Examiner—Ian Simmons

Assistant Examiner—Dana L Sipos

(74) *Attorney, Agent, or Firm*—Collard & Roe, P.C.

(57) **CLAIM**

The ornamental design for a bottle closure, as shown and described.

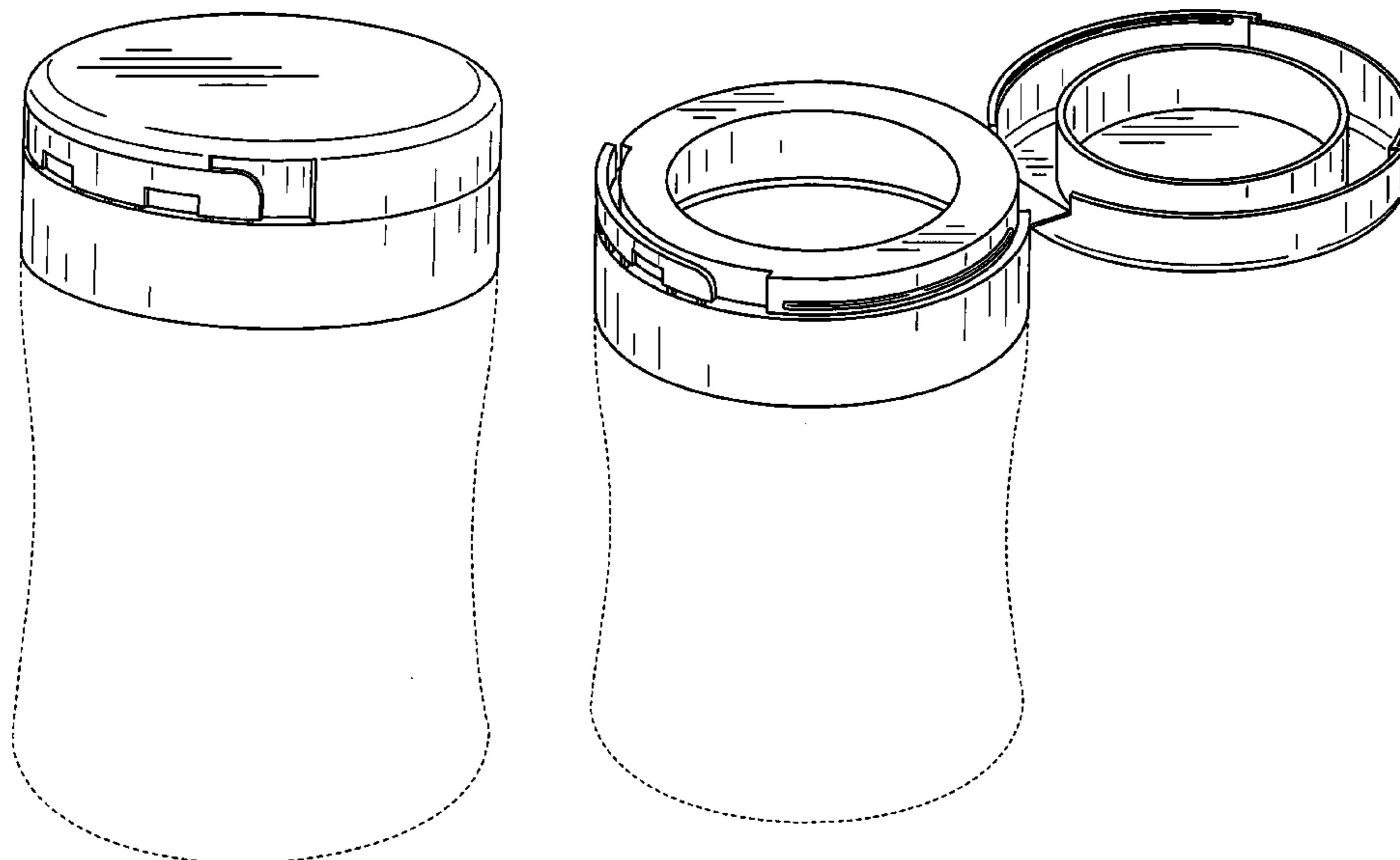
DESCRIPTION

FIG. 1 is a top perspective view of a bottle closure showing my new design; and,

FIG. 2 is a top perspective view thereof, shown in the open position.

The elements shown in broken lines depict environmental structure only and form no part of the claimed design.

1 Claim, 2 Drawing Sheets



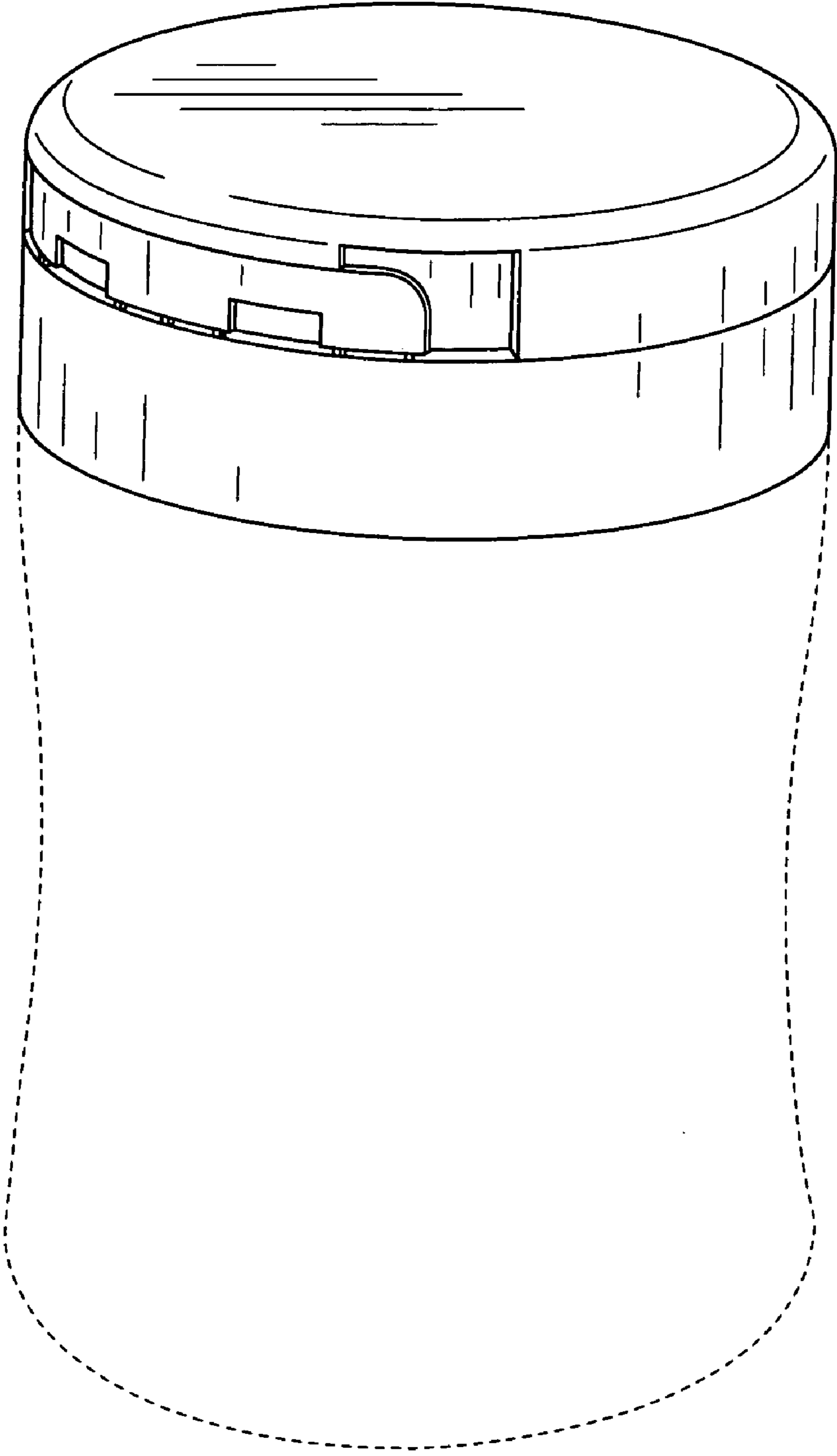


FIG. 1

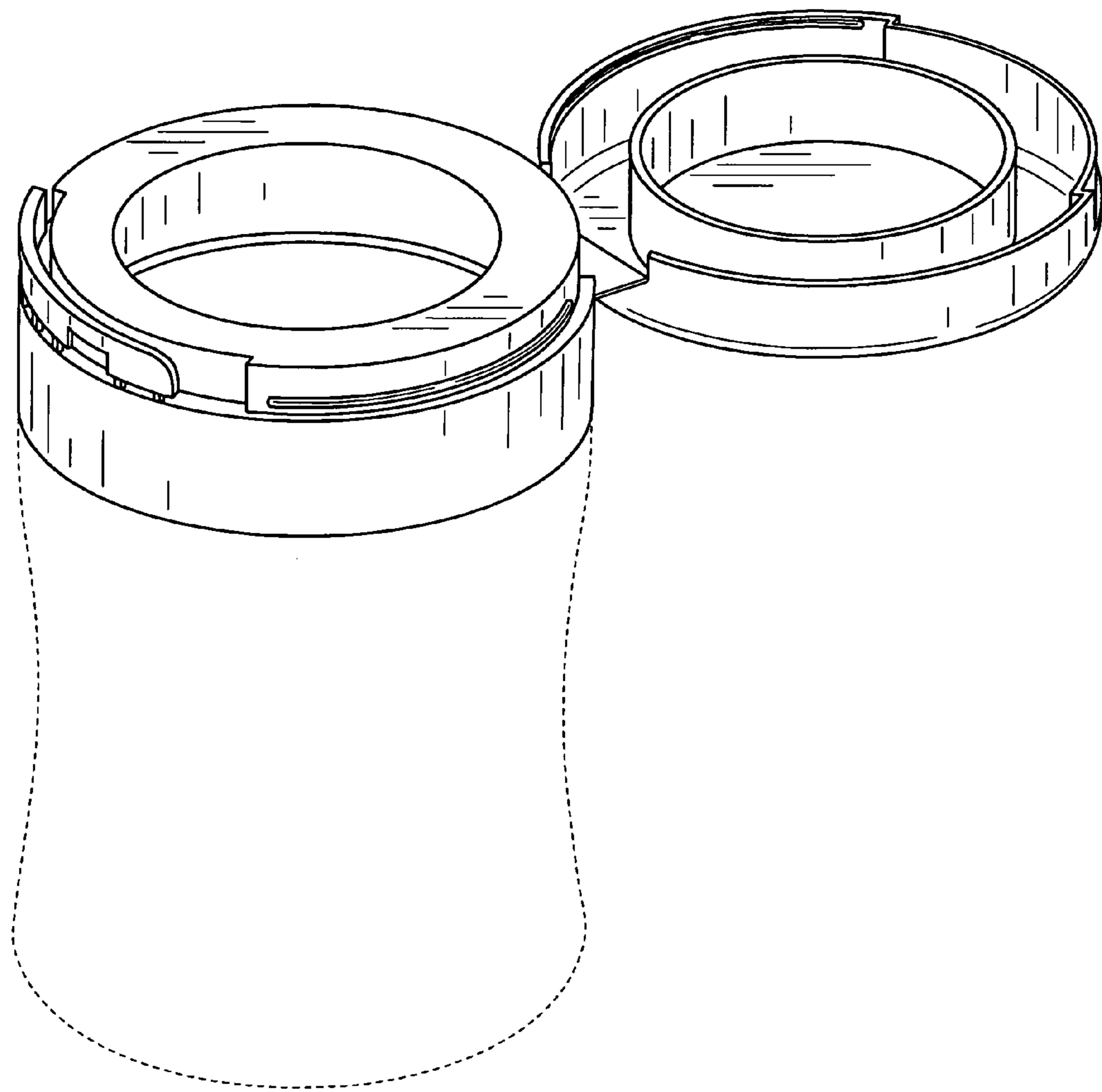


FIG. 2