



US00D623059S

(12) **United States Design Patent**
Holmes et al.

(10) **Patent No.:** **US D623,059 S**

(45) **Date of Patent:** **** Sep. 7, 2010**

(54) **BOTTLE CAP**

(75) Inventors: **Edward J. Holmes**, Kings Park, NY (US); **Chad Lavigne**, Hastings on Hudson, NY (US); **Philip J. Silverstein**, Mamaroneck, NY (US)

(73) Assignee: **Bath & Body Works Brand Management, Inc.**, Reynoldsburg, OH (US)

(**) Term: **14 Years**

(21) Appl. No.: **29/350,207**

(22) Filed: **Nov. 12, 2009**

Related U.S. Application Data

(62) Division of application No. 29/323,671, filed on Aug. 28, 2008, now Pat. No. Des. 609,574.

(51) **LOC (9) Cl.** **09-07**

(52) **U.S. Cl.** **D9/445; D9/435**

(58) **Field of Classification Search** D9/516, D9/530, 544, 546, 559, 560, 572-574, 434, D9/435, 439, 454, 445; 220/662, 669; 215/382-384
See application file for complete search history.

(56) **References Cited**

U.S. PATENT DOCUMENTS

- D60,472 S * 2/1922 Smith D9/573
- D353,998 S * 1/1995 Kotyuk, Jr. D9/503
- D370,413 S * 6/1996 Gobe D9/454

- D424,940 S * 5/2000 Degnen D9/454
- D459,226 S * 6/2002 Guarnieri D9/435
- D536,259 S * 2/2007 Herrmann D9/573
- D539,980 S * 4/2007 Kadlubowski et al. D28/76
- D589,355 S * 3/2009 Rica D9/546
- D589,814 S * 4/2009 Holzner et al. D9/547
- D610,012 S * 2/2010 MacDonald et al. D9/521
- D617,190 S * 6/2010 Holmes et al. D9/449

* cited by examiner

Primary Examiner—Stella M Reid

Assistant Examiner—Keli L Hill

(74) *Attorney, Agent, or Firm*—Colucci & Umans Notaro, Michalos & Zaccaria P.C

(57) **CLAIM**

The ornamental design for a bottle cap, as shown and described.

DESCRIPTION

FIG. 1 is a front, top, right perspective view of a bottle cap, showing our new design;

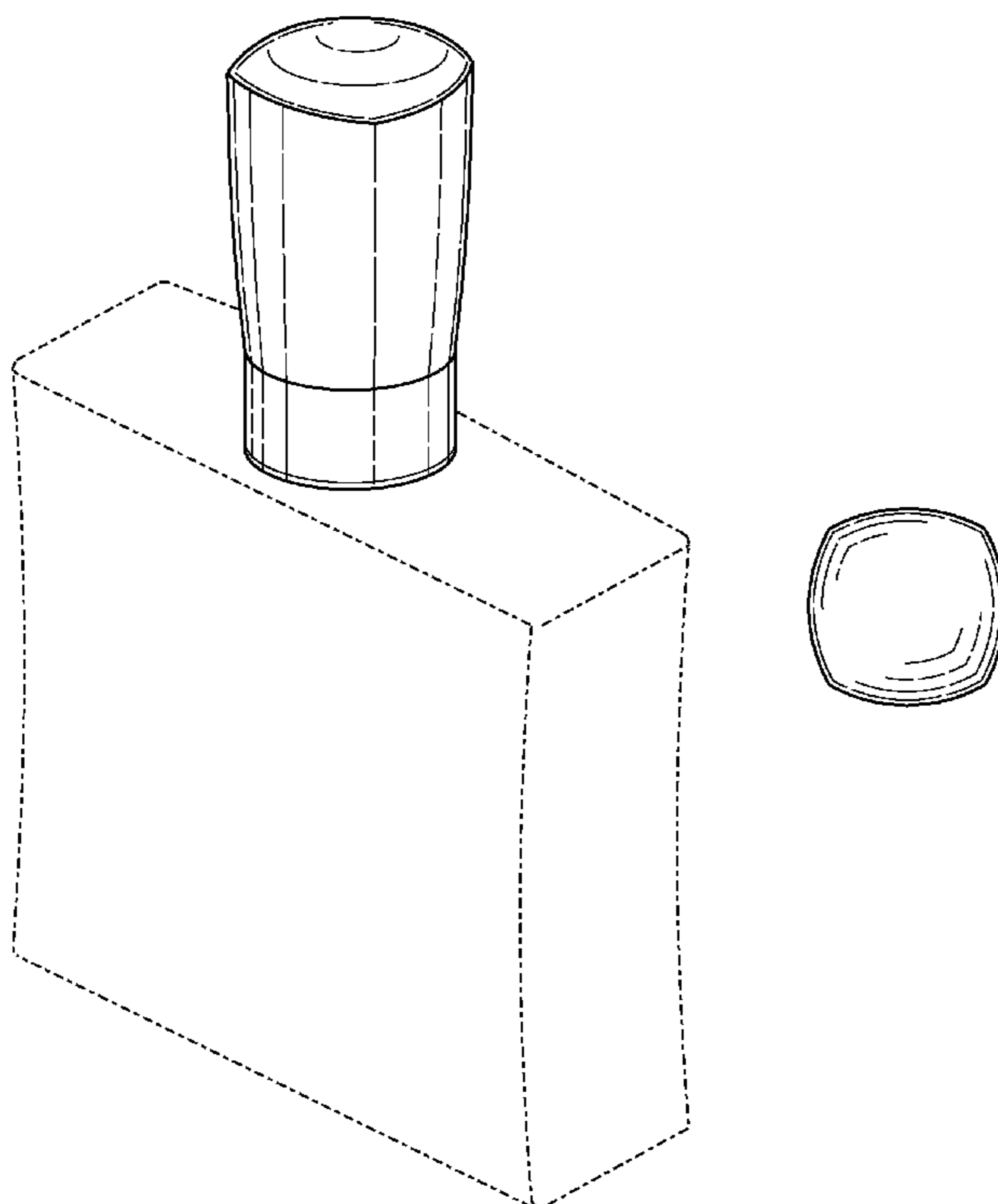
FIG. 2 is a front elevational view thereof, the rear and side elevational views being identical;

FIG. 3 is top plan view thereof; and,

FIG. 4 is a bottom plan view thereof.

The broken line showing of the bottle in FIG. 1 is included for the purpose of illustrating environment and forms no part of the claimed design.

1 Claim, 2 Drawing Sheets



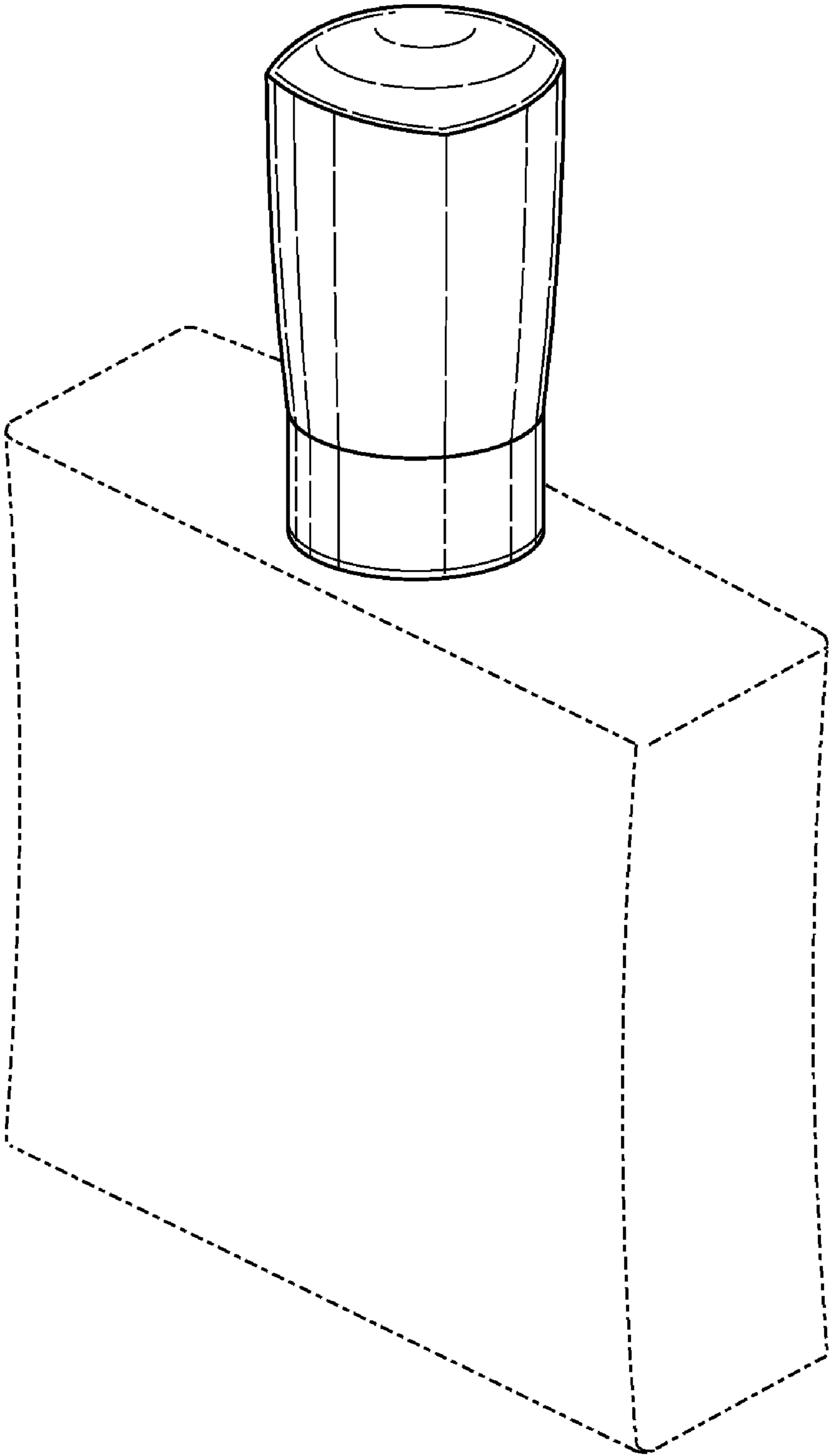


FIG. 1

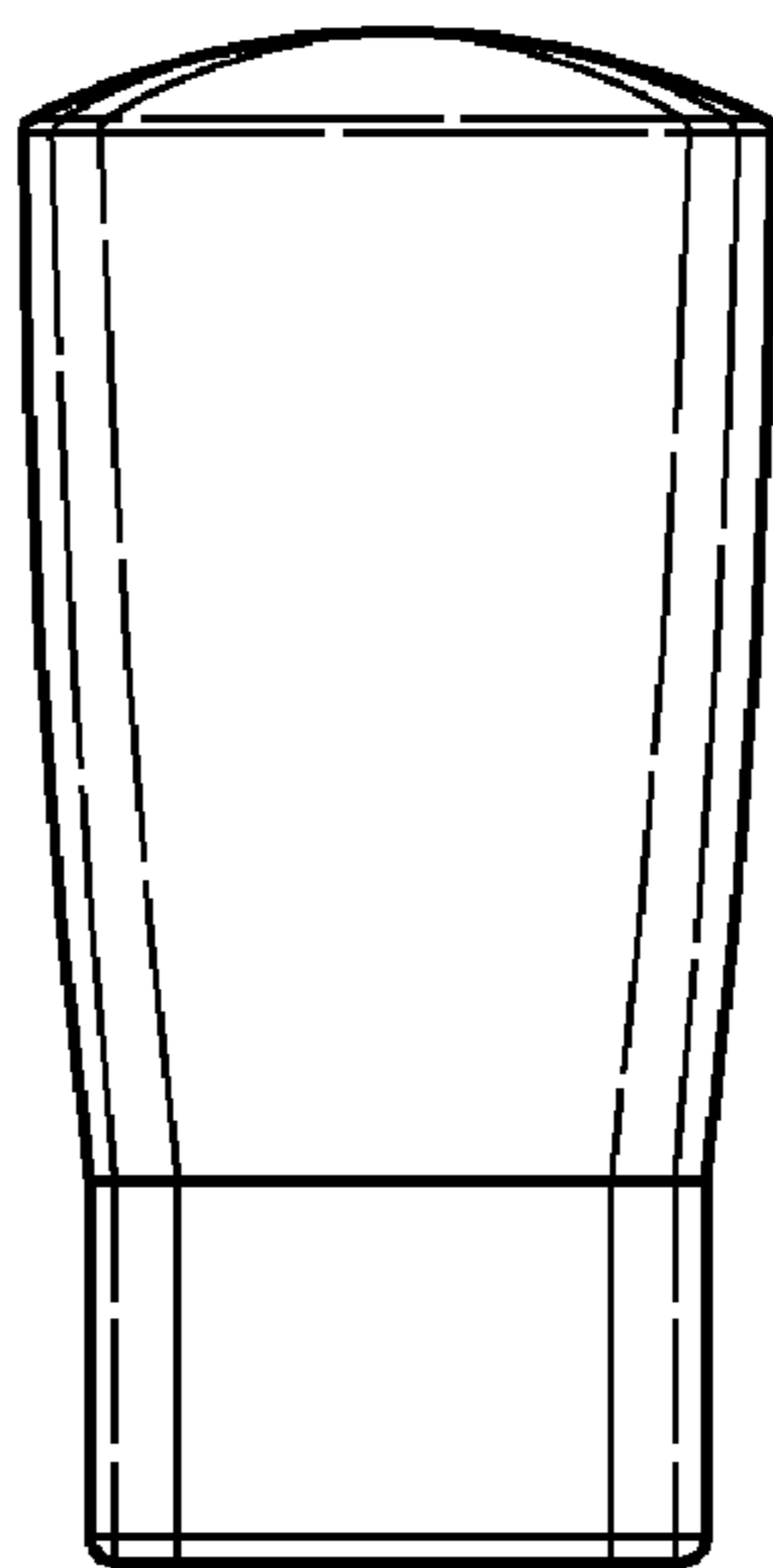


FIG. 2

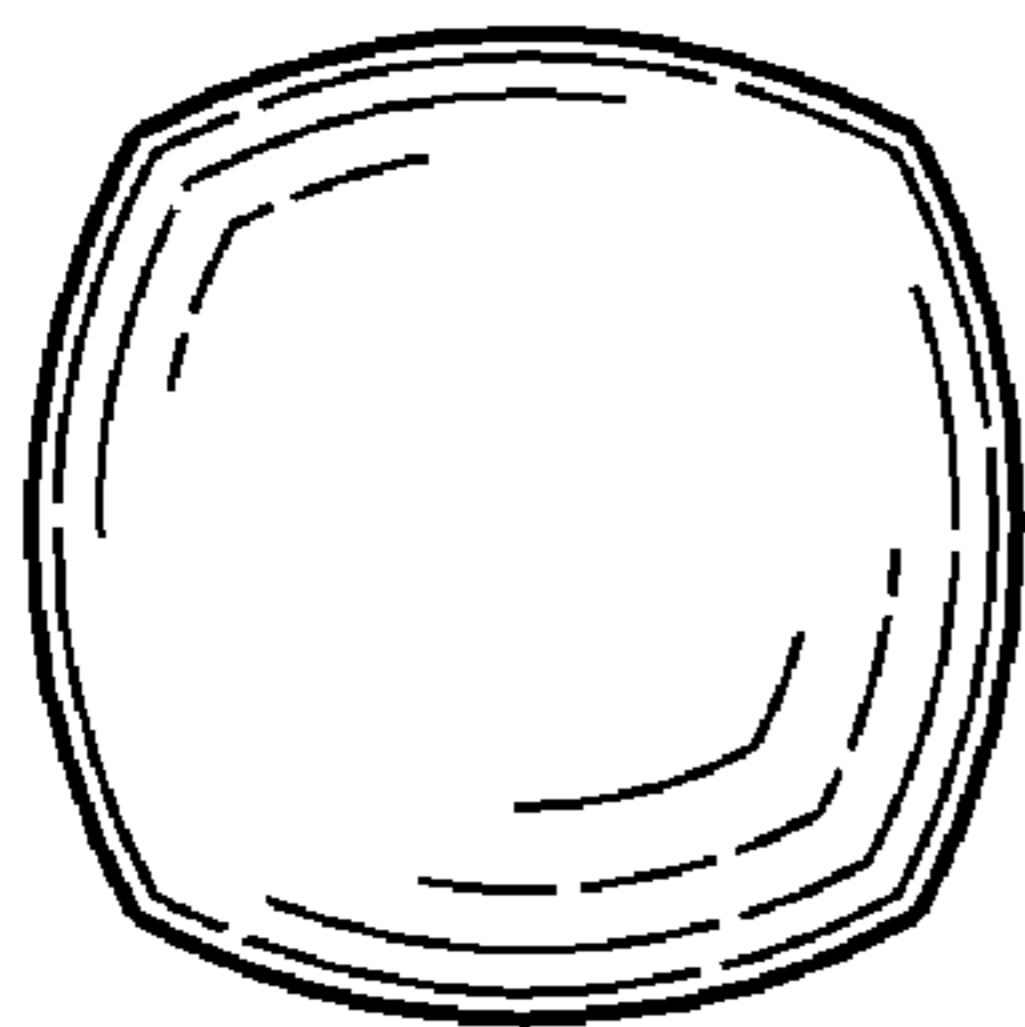


FIG. 3

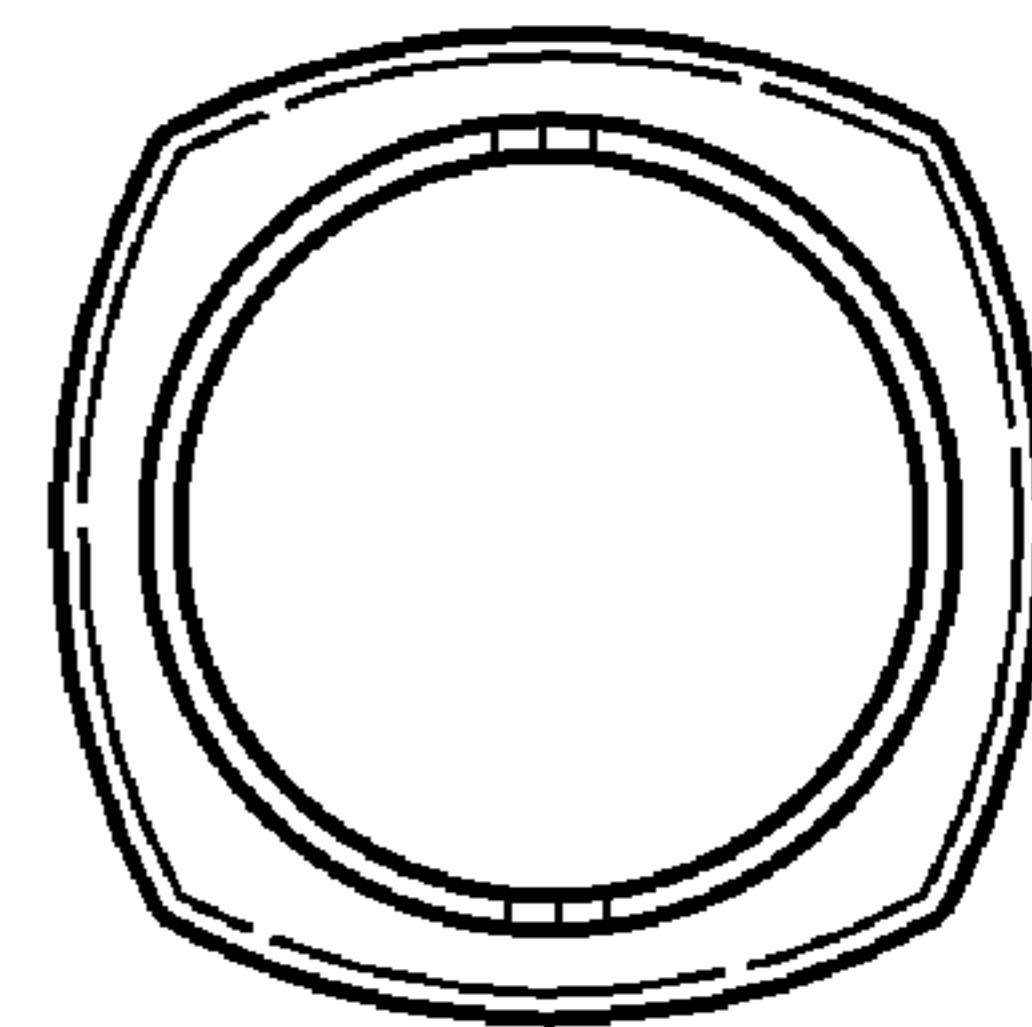


FIG. 4