

US00D623058S

(12) **United States Design Patent**  
**Gilbert**

(10) **Patent No.:** **US D623,058 S**

(45) **Date of Patent:** **\*\* Sep. 7, 2010**

(54) **FLASK**

(75) Inventor: **Tyler Sean Gilbert**, Bellevue, WA (US)

(73) Assignee: **Pacific Market International, LLC**,  
Seattle, WA (US)

(\*\*) Term: **14 Years**

(21) Appl. No.: **29/351,326**

(22) Filed: **Jan. 15, 2010**

**Related U.S. Application Data**

(60) Continuation of application No. 29/345,367, filed on Oct. 14, 2009, now Pat. No. Des. 611,811, which is a division of application No. 29/305,671, filed on Mar. 26, 2008, now Pat. No. Des. 604,165.

(51) **LOC (9) Cl.** ..... **09-07**

(52) **U.S. Cl.** ..... **D9/443**

(58) **Field of Classification Search** ..... D9/682,  
D9/685-687, 693-694, 516, 523, 526-528,  
D9/530-532, 535, 542-543, 563, 572, 574-575,  
D9/435, 439, 443, 453; 215/382-384; D24/224;  
D23/211.1; D8/356; D3/215; D7/392.1,  
D7/396.2; 220/212.5

See application file for complete search history.

(56) **References Cited**

**U.S. PATENT DOCUMENTS**

3,250,423	A	5/1966	Curran	
D205,910	S	* 10/1966	Northrup	D9/523 X
D214,239	S	* 5/1969	Kemp	D9/532
4,310,102	A	* 1/1982	Walter	220/212.5 X
D314,139	S	* 1/1991	Ambasz	D7/612 X
4,981,228	A	* 1/1991	Kahn	D9/443 X
D341,322	S	* 11/1993	Bondewel	D9/523
D342,140	S	12/1993	Sakagami et al.	
D345,916	S	* 4/1994	Bondewel	D9/516 X
D358,219	S	5/1995	Ushikubo	
D400,794	S	* 11/1998	Takeuchi et al.	D9/532
D469,018	S	1/2003	Allanson et al.	

D471,455	S	* 3/2003	Laveault et al.	D9/443
D491,465	S	* 6/2004	Kelleghan	D9/434
D493,366	S	* 7/2004	Rackwitz	D9/443 X
D503,113	S	3/2005	Gillispie	
D505,294	S	5/2005	Gauss	
D511,457	S	11/2005	Biesecker et al.	
6,981,601	B2	* 1/2006	Laveault et al.	215/253
D541,426	S	4/2007	Sato et al.	
7,228,982	B2	* 6/2007	Nielson	215/396
D547,607	S	* 7/2007	Forsman	D7/396.2
D564,341	S	* 3/2008	Kelleghan	D8/356
D581,268	S	11/2008	Heath et al.	
D600,973	S	* 9/2009	Lane	D7/396.2
D604,165	S	* 11/2009	Gilbert	D9/532 X
D611,811	S	* 3/2010	Gilbert	D9/443
D613,110	S	* 4/2010	Lane et al.	D7/392.1
D614,497	S	* 4/2010	Pola	D9/443 X
2007/0039959	A1	* 2/2007	Choi et al.	220/212.5
2007/0095831	A1	* 5/2007	Thatcher	220/212.5

\* cited by examiner

*Primary Examiner*—Carol Rademaker

(74) *Attorney, Agent, or Firm*—Davis Wright Tremaine LLP;  
George C. Rondeau, Jr.

(57) **CLAIM**

The ornamental design for a flask, as shown and described.

**DESCRIPTION**

FIG. 1 is a top, rear and right side perspective view of a flask showing my new design;

FIG. 2 is a front elevational view thereof;

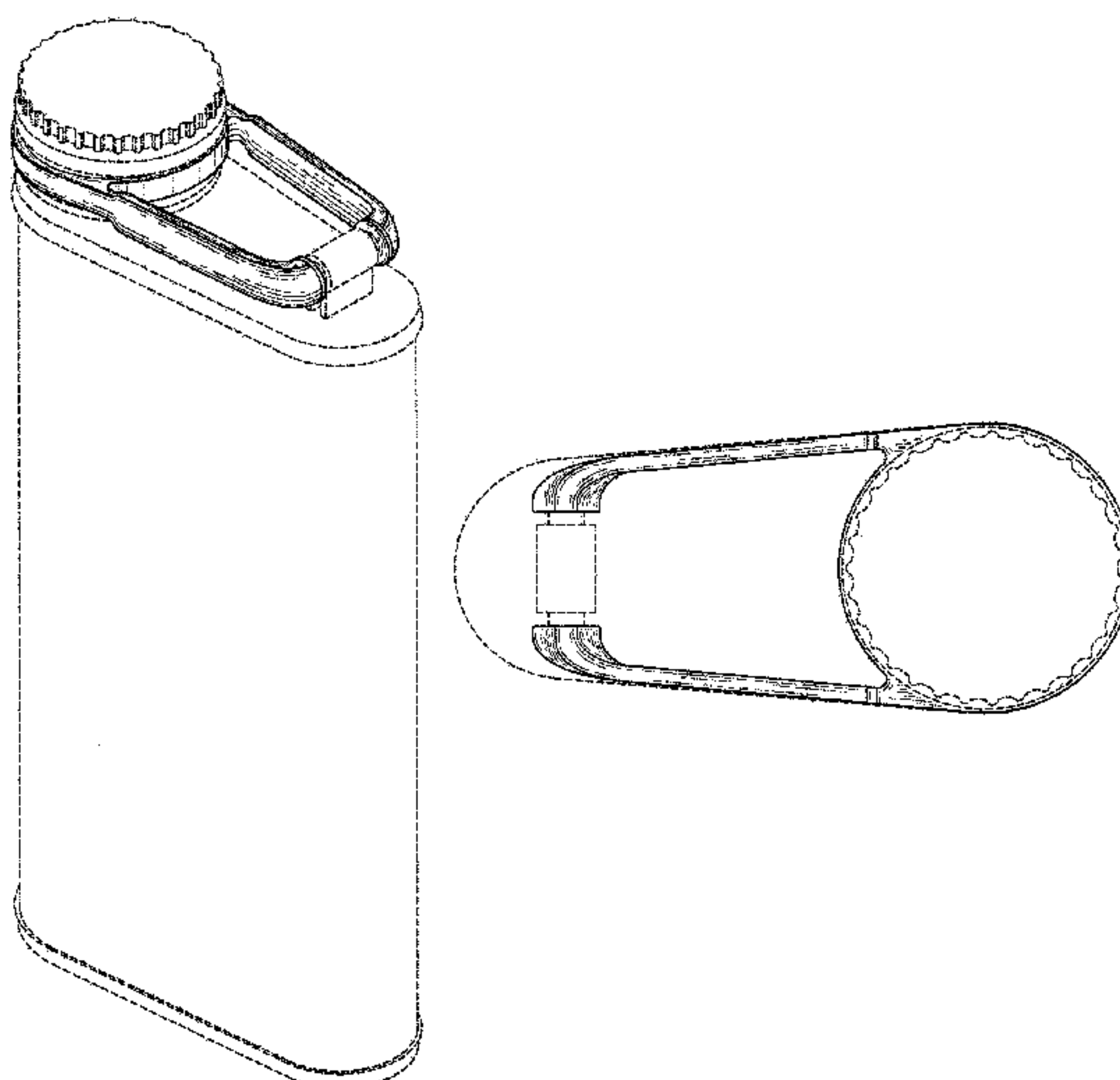
FIG. 3 is a rear elevational view thereof;

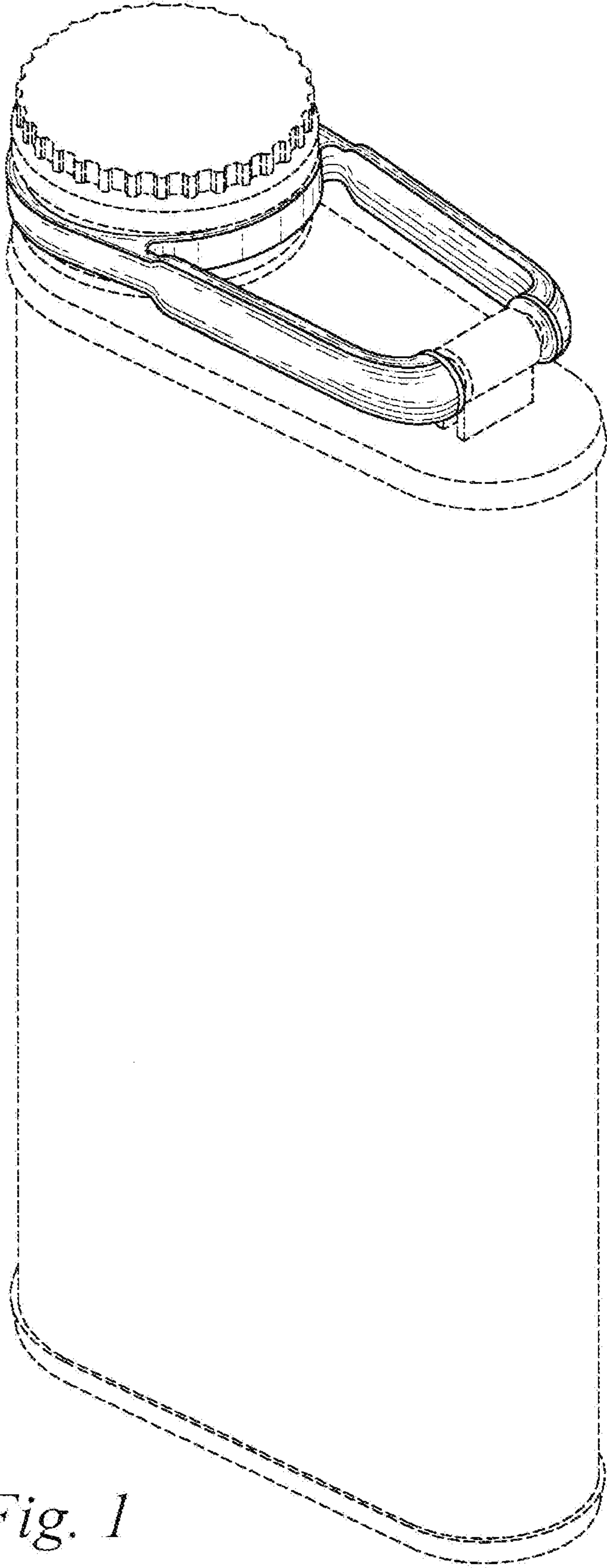
FIG. 4 is a left side elevational view thereof, the right side elevational view being a mirror image; and,

FIG. 5 is a top plan view thereof.

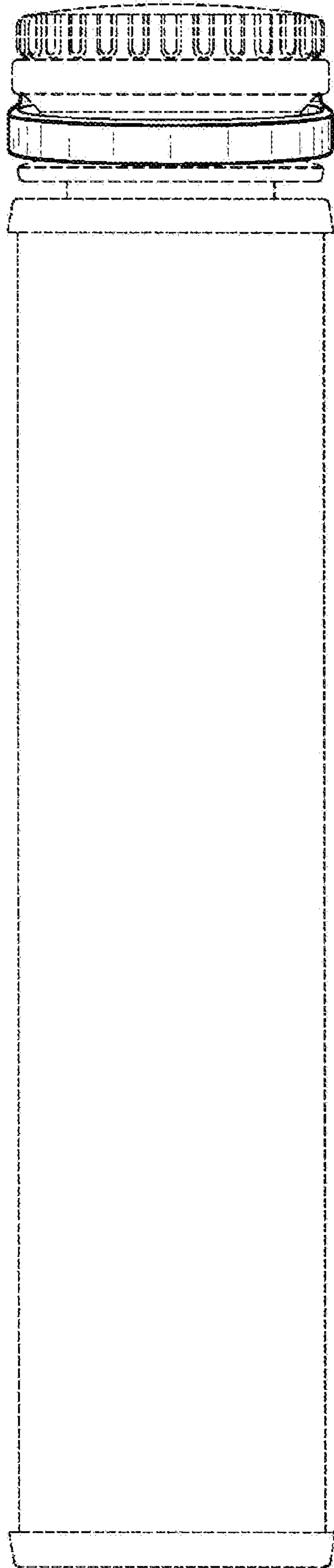
The broken lines shown in the drawing views are included for the purpose of showing environmental structure that forms no part of the claimed design.

**1 Claim, 4 Drawing Sheets**

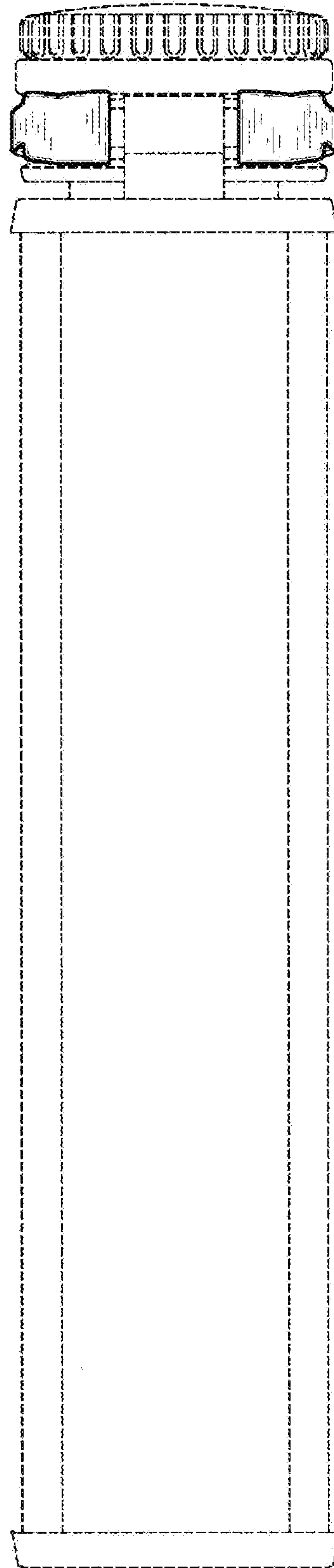




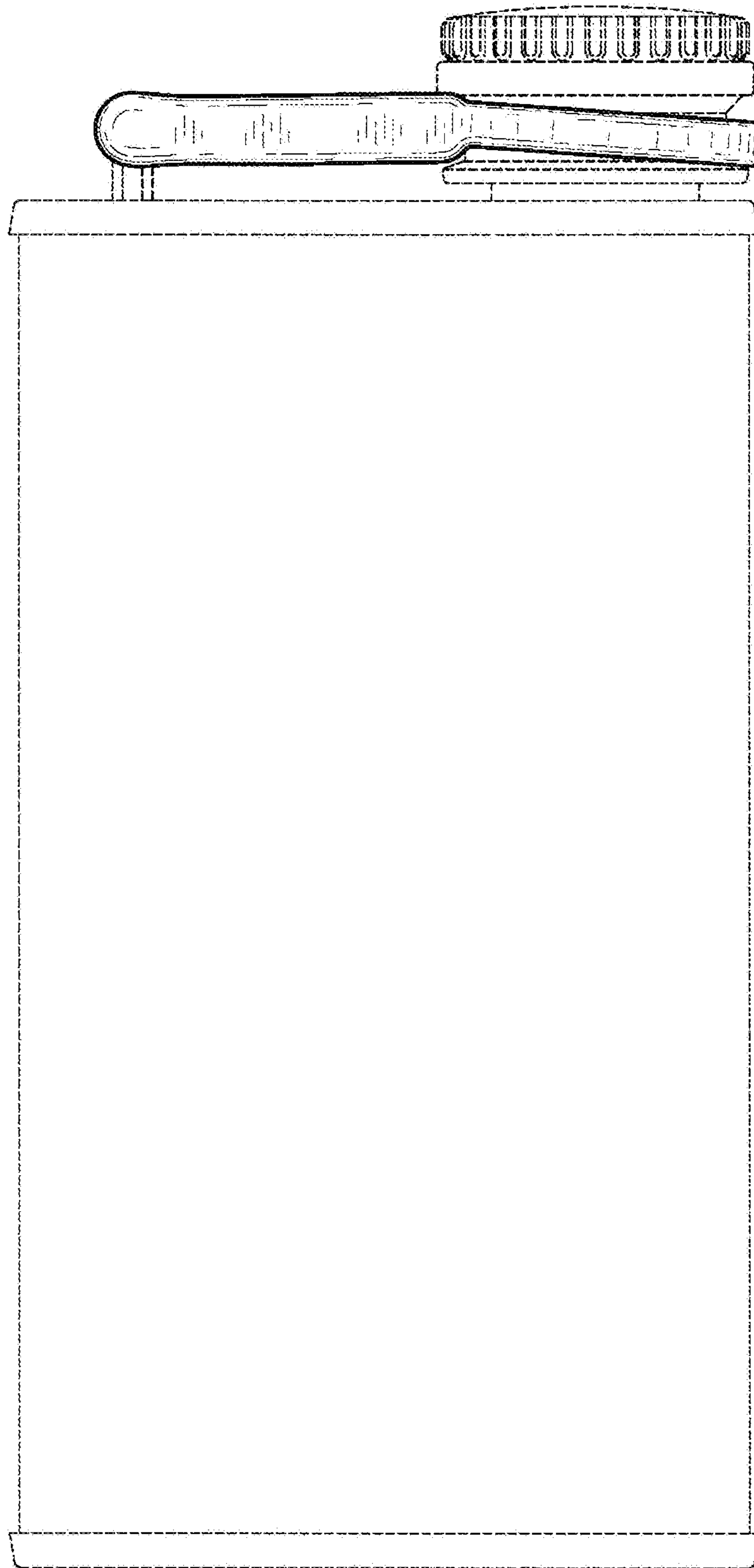
*Fig. 1*



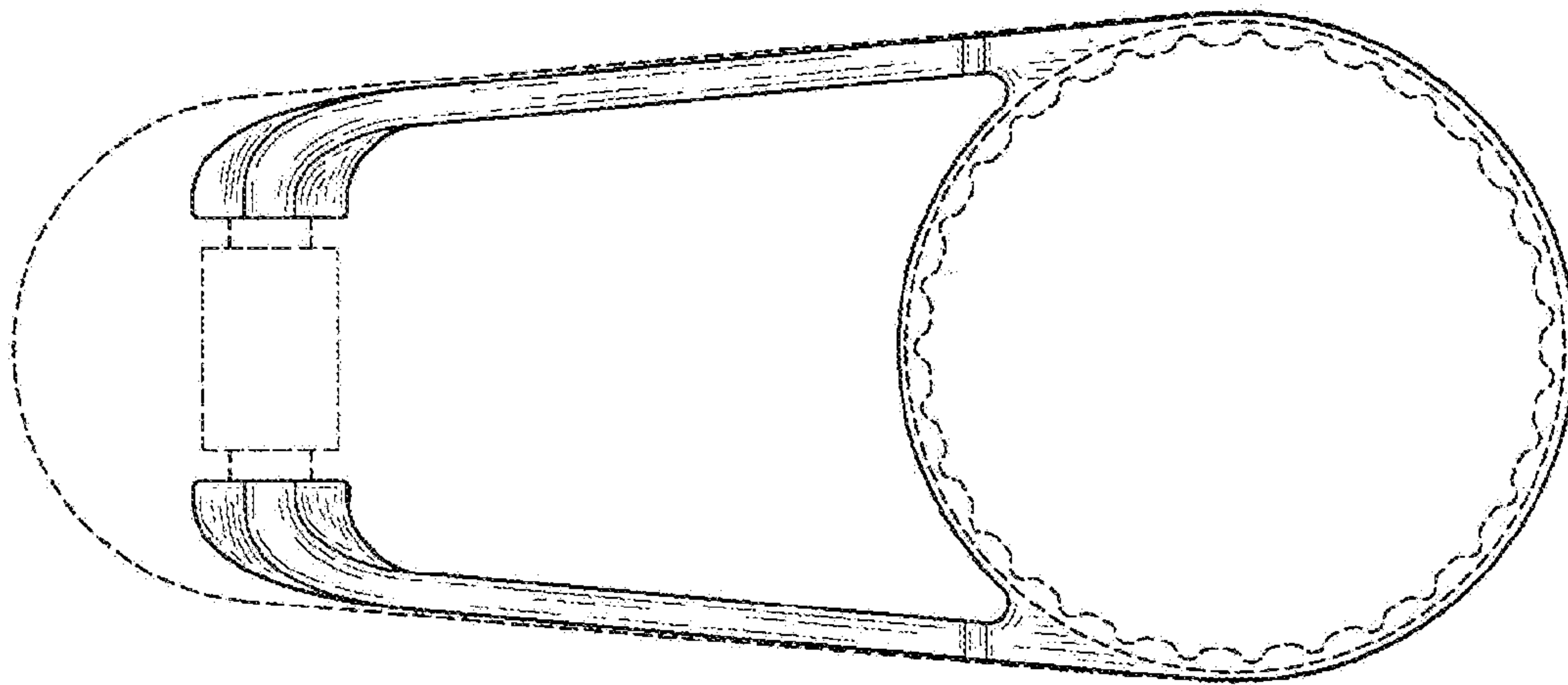
*Fig. 2*



*Fig. 3*



*Fig. 4*



*Fig. 5*