



US00D623055S

(12) **United States Design Patent**
Sano

(10) **Patent No.:** **US D623,055 S**

(45) **Date of Patent:** **** Sep. 7, 2010**

(54) **PACKAGING FOR FOOD STUFFS**

(75) Inventor: **Tomoya Sano**, Tokyo (JP)

(73) Assignee: **Cadbury Adams USA LLC**, Parsippany, NJ (US)

(**) Term: **14 Years**

(21) Appl. No.: **29/315,822**

(22) Filed: **Jul. 24, 2009**

(51) **LOC (9) Cl.** **09-03**

(52) **U.S. Cl.** **D9/422**

(58) **Field of Classification Search** D9/414,
D9/417, 419-425, 428, 666; 206/477, 804,
206/815, 822, 213; 229/160; D27/185-192;
D28/73, 82, 88

See application file for complete search history.

(56) **References Cited**

U.S. PATENT DOCUMENTS

1,249,910	A *	12/1917	Deginder	220/842
D136,319	S *	9/1943	New	D27/191
4,142,566	A *	3/1979	Stolp	260/316.3
D462,806	S *	9/2002	Draghetti	D27/189
D519,828	S *	5/2006	Cavero et al.	D9/417
D534,422	S *	1/2007	Hallberg	D9/422
D535,186	S *	1/2007	Tanner	D9/422
D607,320	S *	1/2010	Tearle	D9/423
2008/0087562	A1 *	4/2008	Berger et al.	206/268
2009/0218362	A1 *	9/2009	Gelardi	220/833

* cited by examiner

Primary Examiner—Daniel D Bui

Assistant Examiner—Thomas J Johannes

(74) *Attorney, Agent, or Firm*—Hoffman & Baron, LLP

(57) **CLAIM**

The ornamental design for the packaging for food stuffs, as shown and described.

DESCRIPTION

FIG. 1 is a front perspective view of a packaging for food stuffs showing my new design in an opened condition.

FIG. 2 is a front elevation view thereof.

FIG. 3 is a rear elevation view thereof.

FIG. 4 is a sectional view thereof taken along line 4—4 in FIG. 1.

FIG. 5 is a front elevation view thereof in the closed condition.

FIG. 6 is a rear elevation view thereof in the closed condition.

FIG. 7 is a side view thereof in the closed condition.

FIG. 8 is a front perspective view thereof with the unclaimed food stuffs included therein.

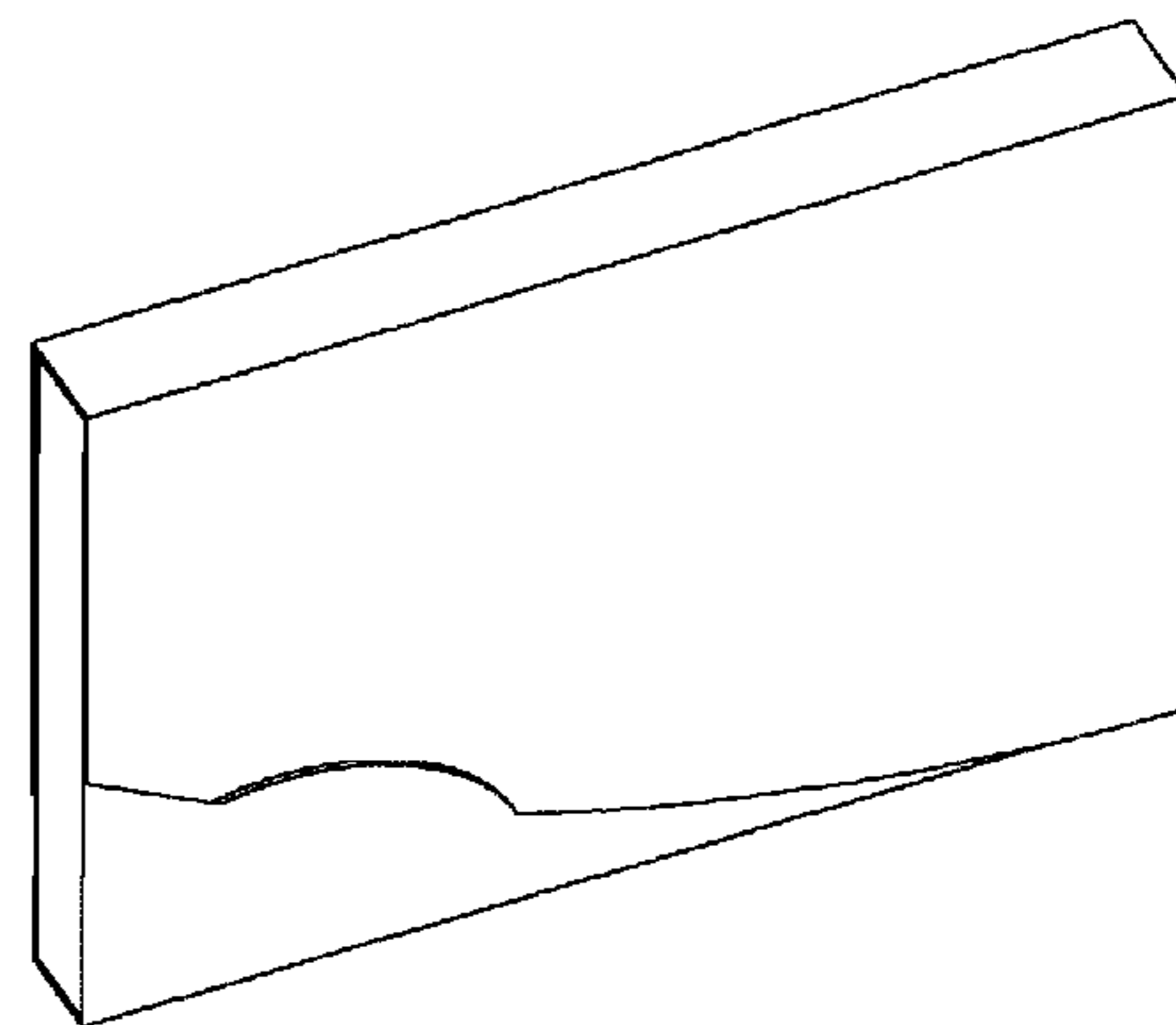
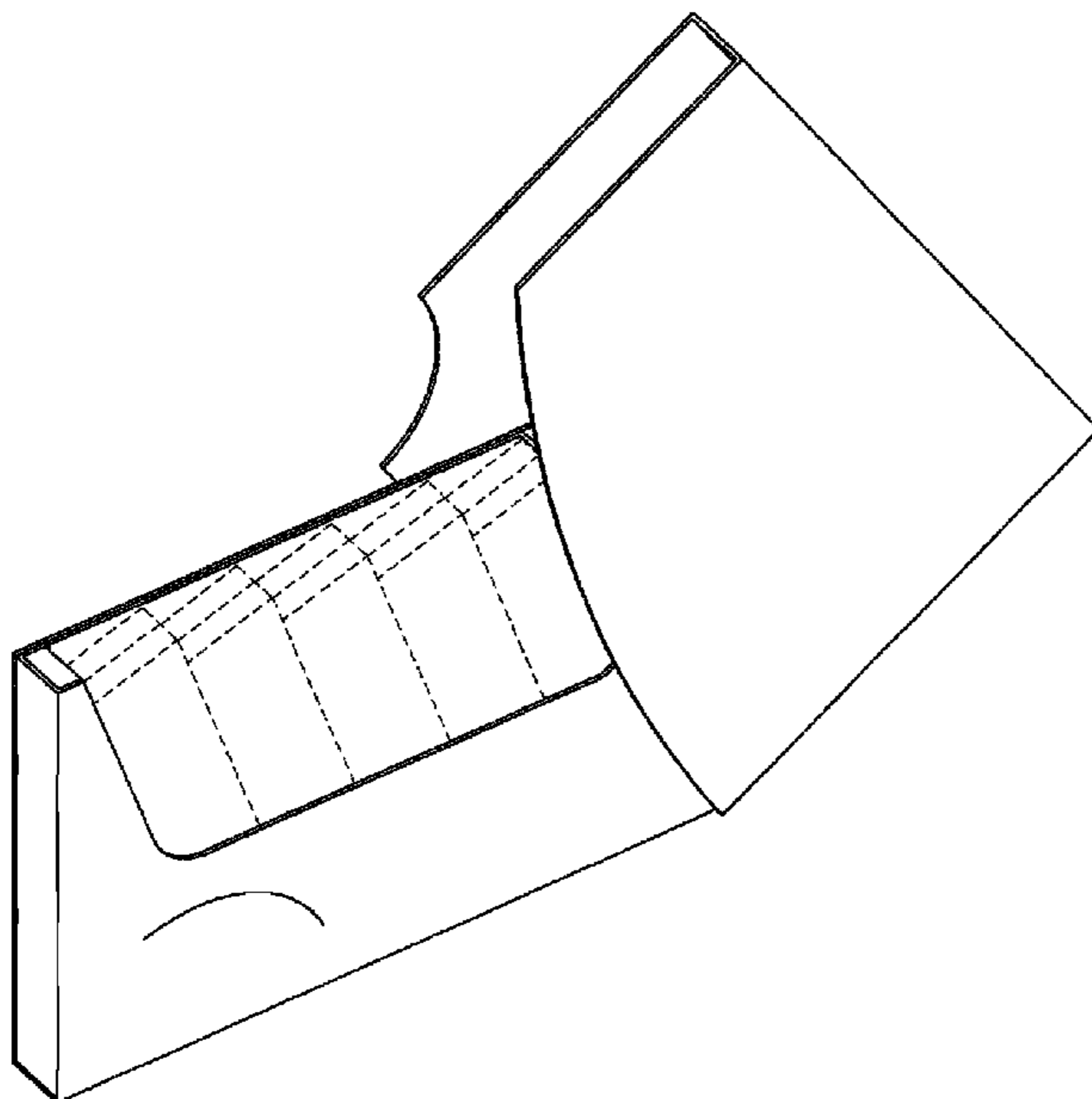
FIG. 9 is a rear perspective view thereof with the unclaimed food stuffs included therein.

FIG. 10 is a front perspective view thereof in the closed condition; and,

FIG. 11 is a rear perspective view thereof in the closed condition.

The broken line portion of the figure drawings is included to show unclaimed subject matter only and forms no part of the claimed design.

1 Claim, 11 Drawing Sheets



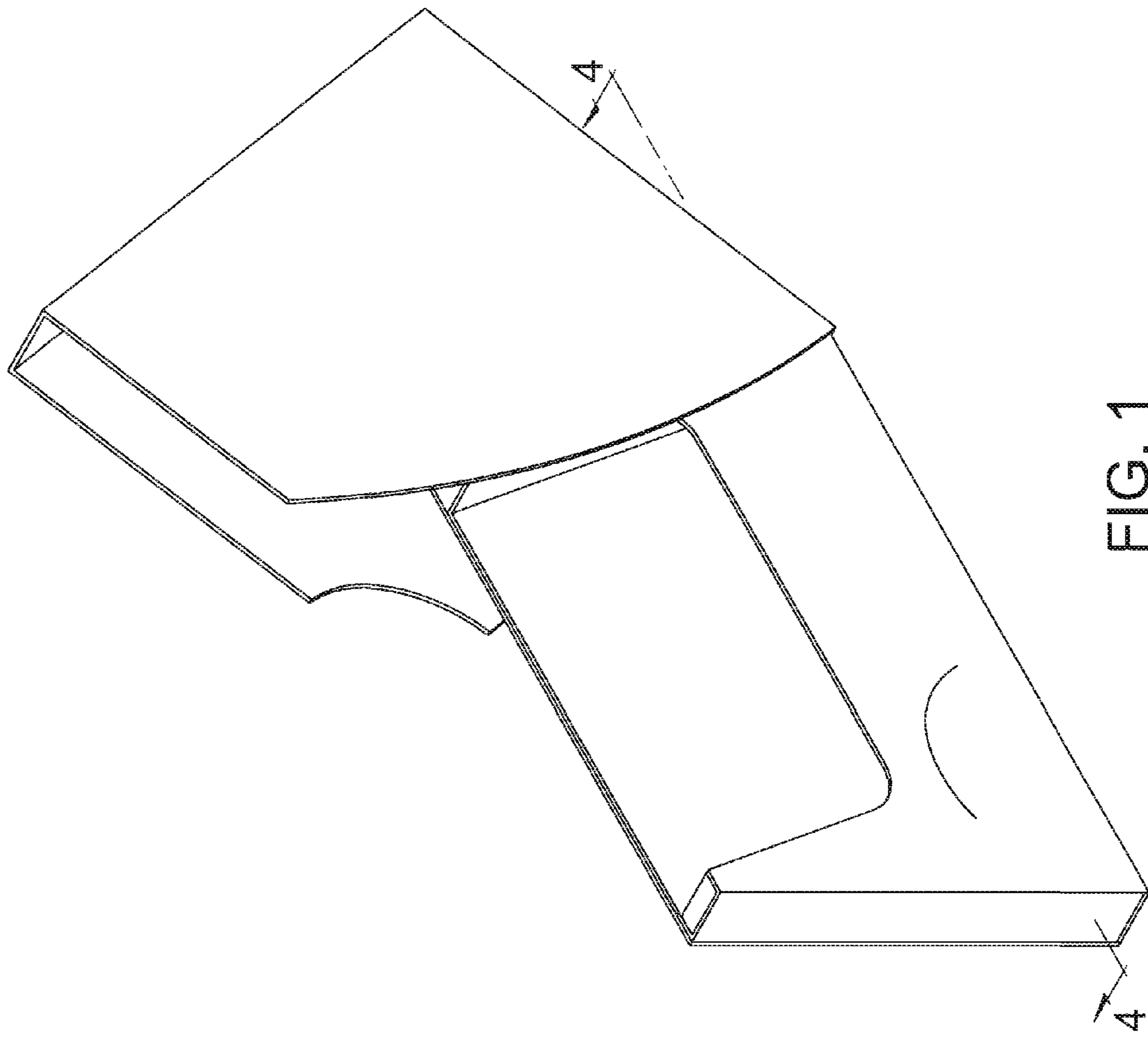


FIG. 1

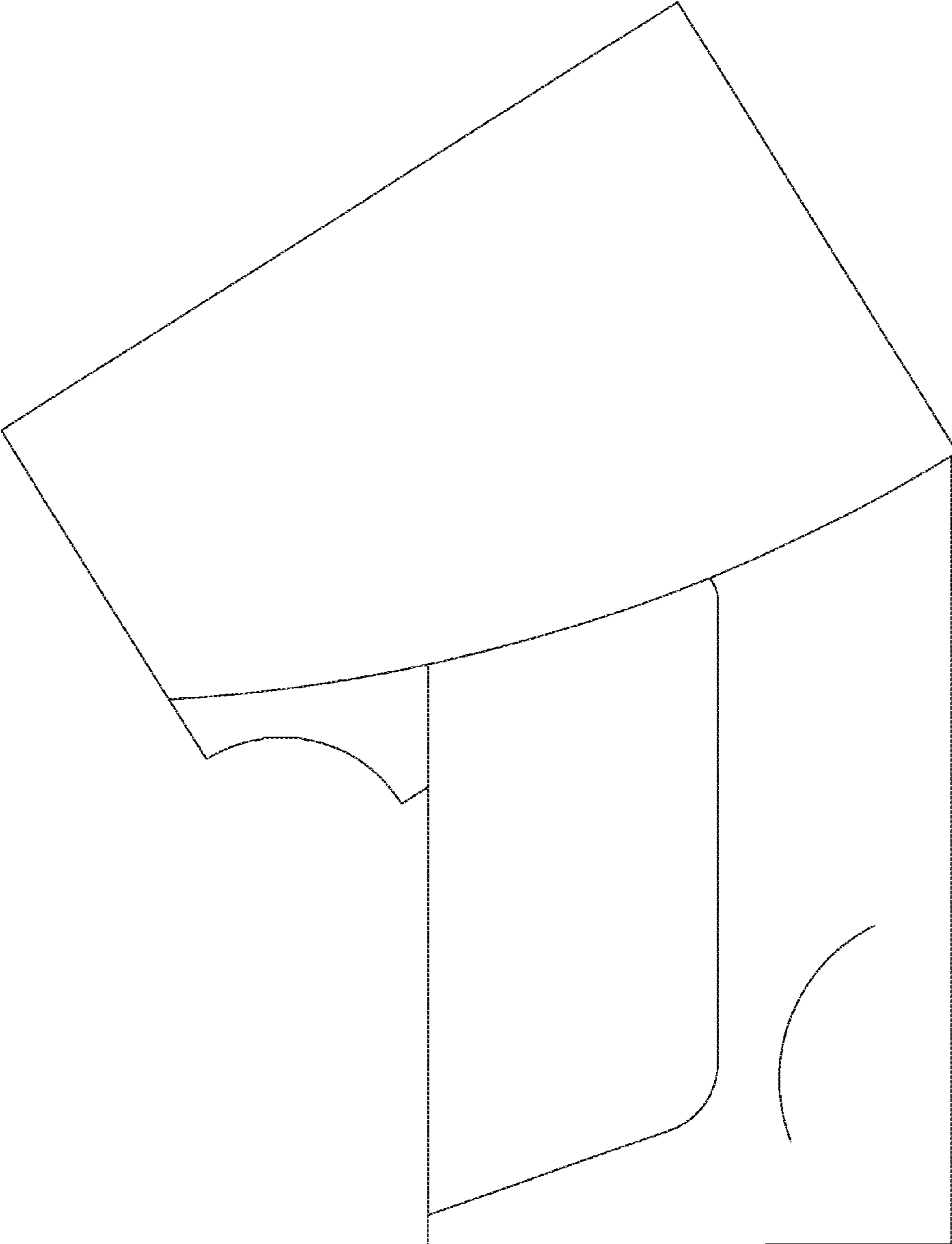


FIG. 2

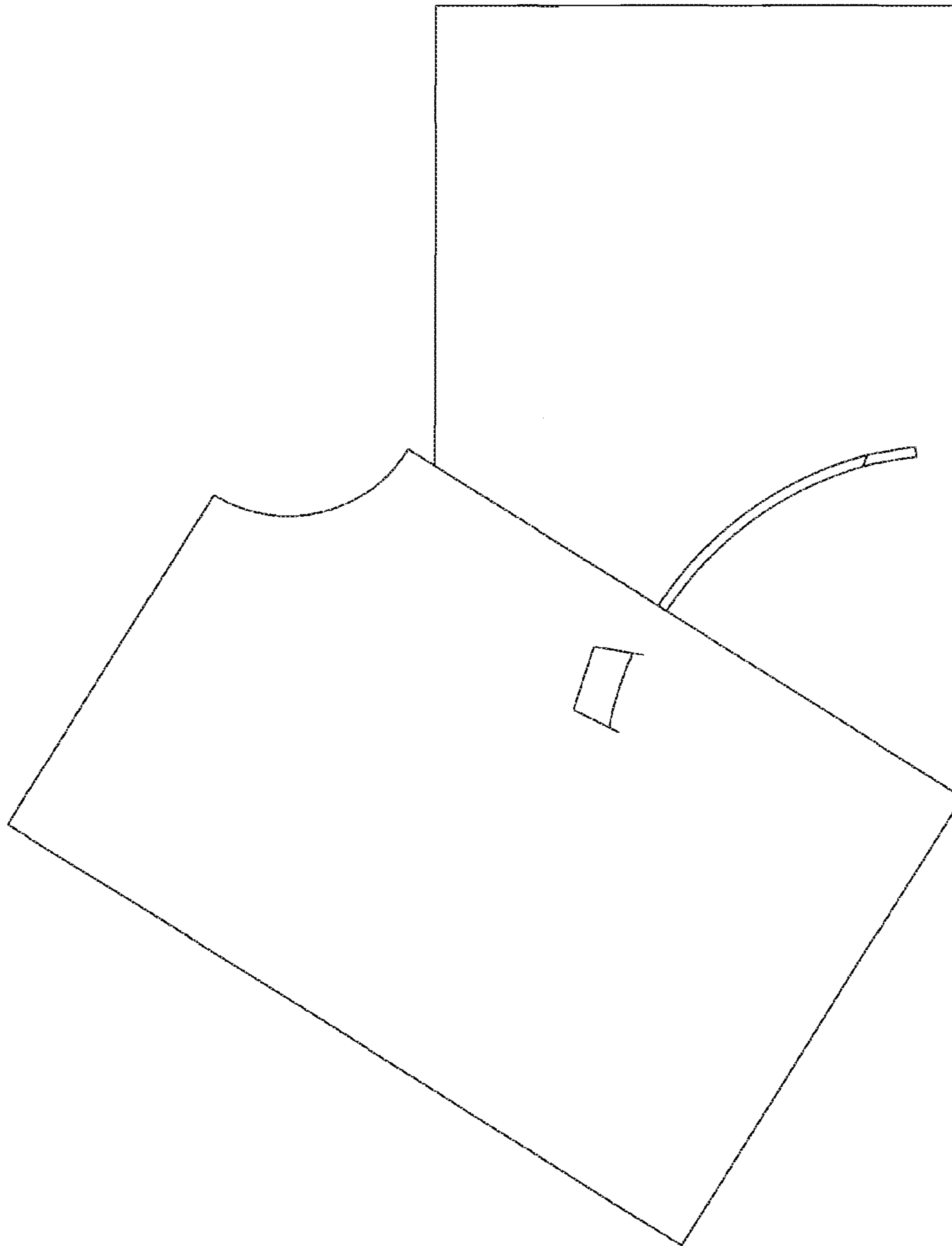


FIG. 3

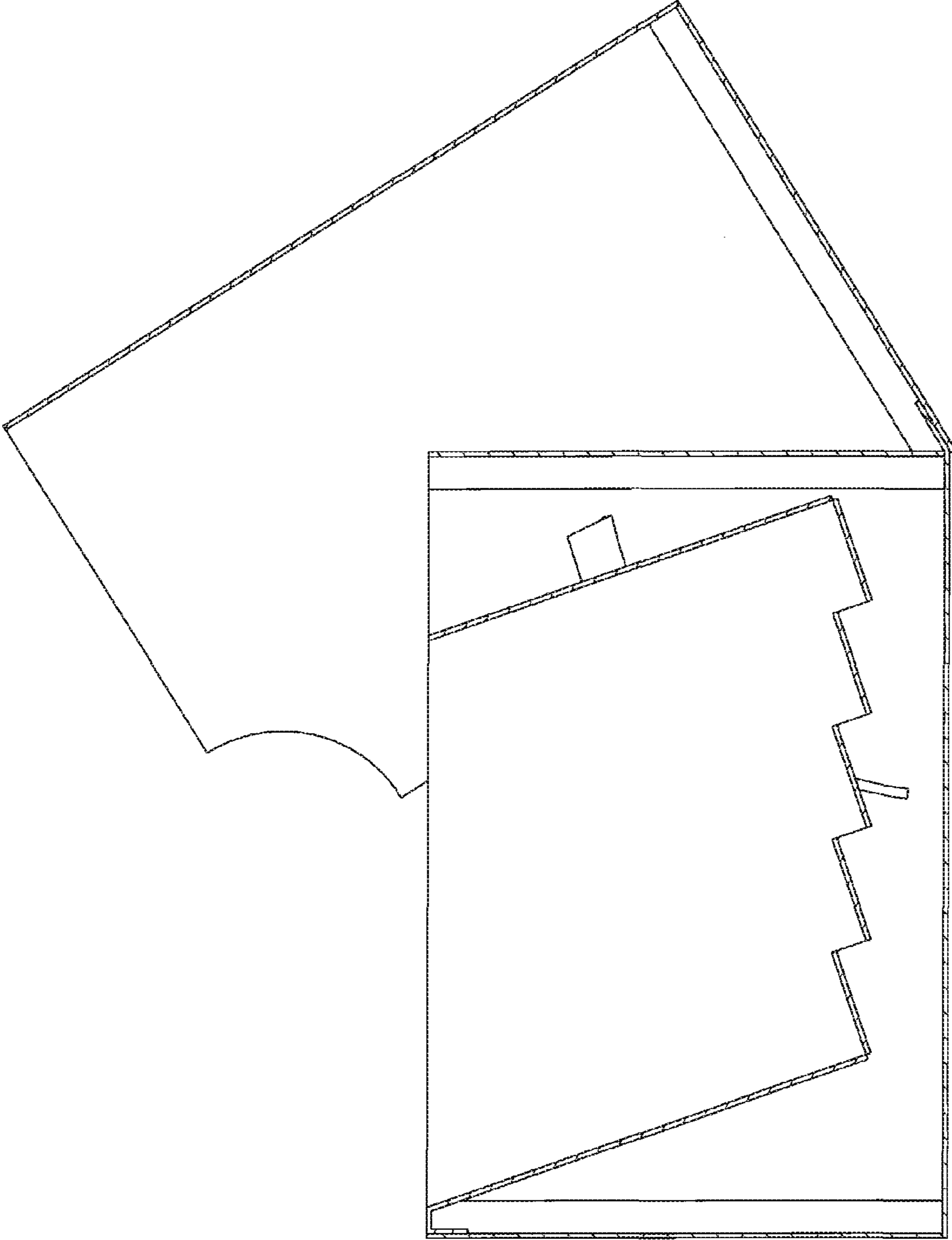


FIG. 4

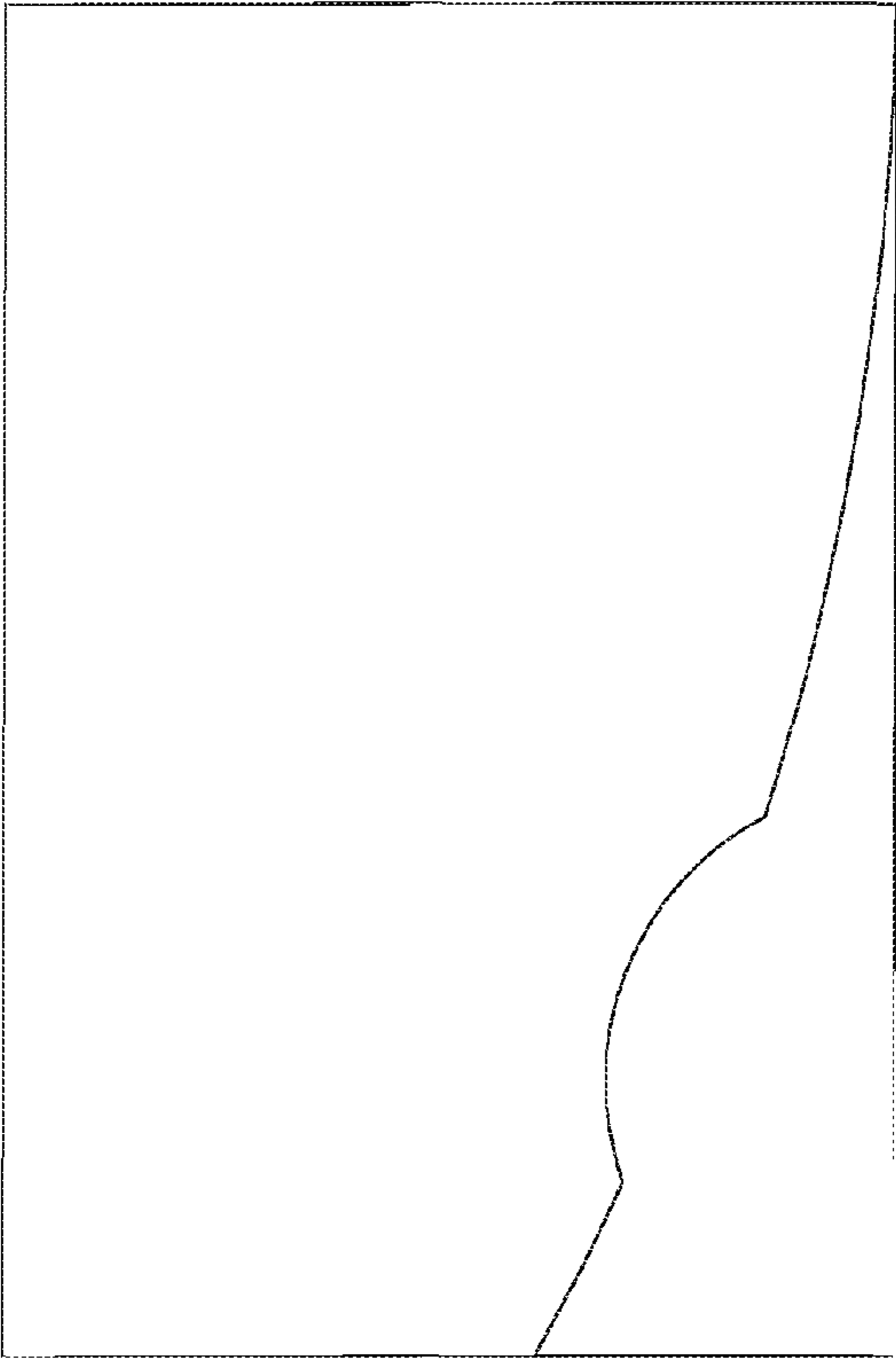


FIG. 5

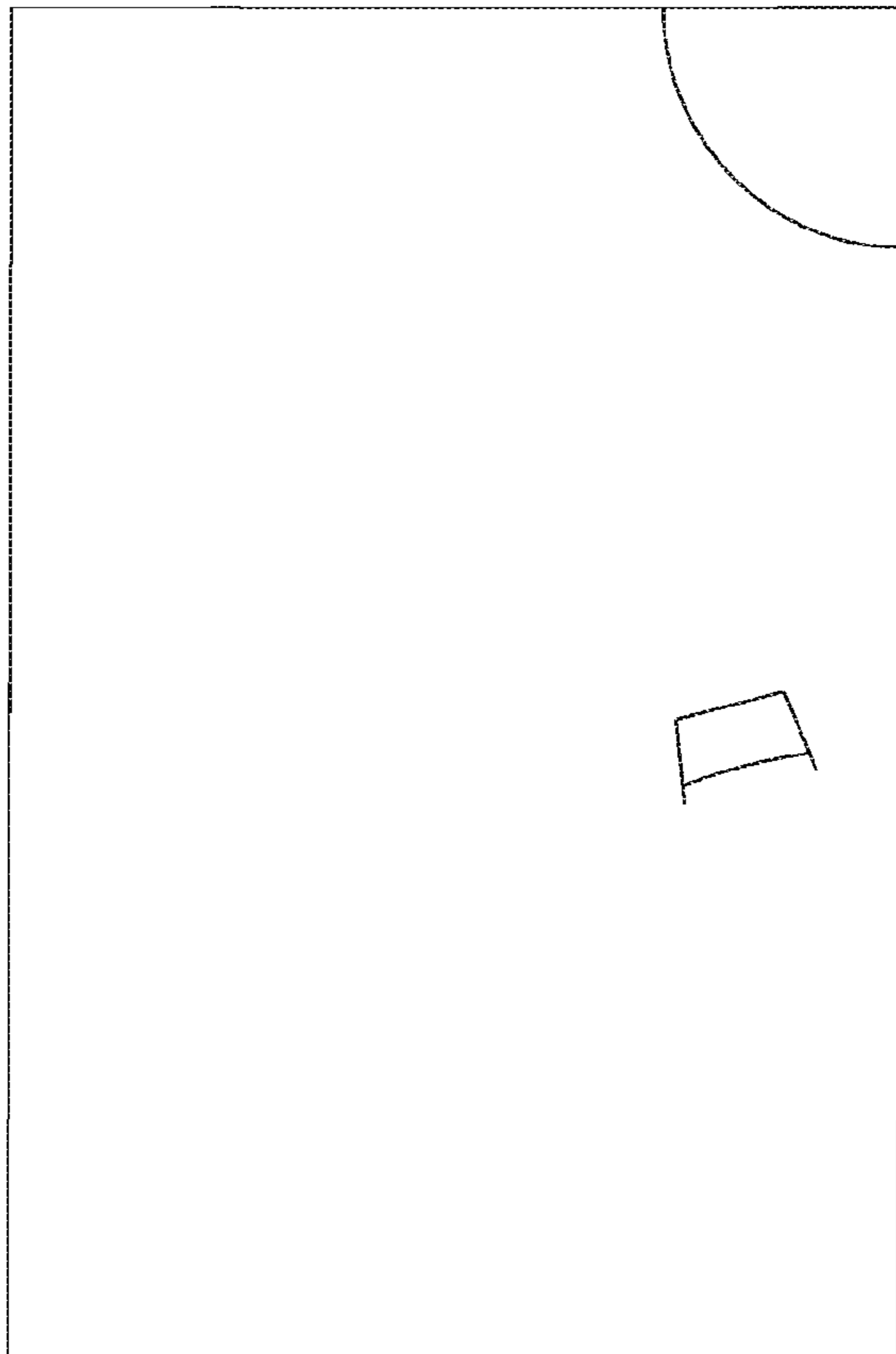


FIG. 6



FIG. 7

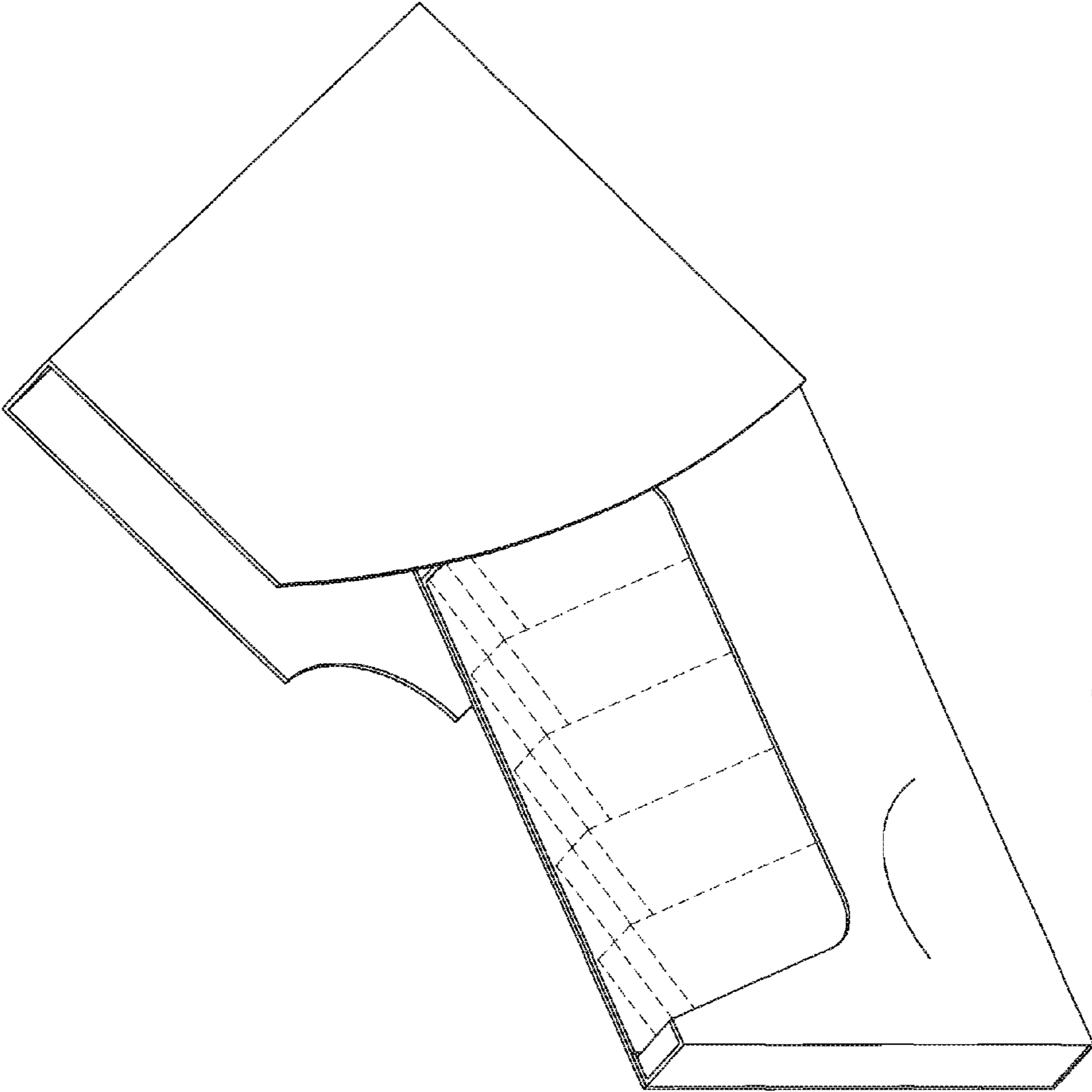


FIG. 8

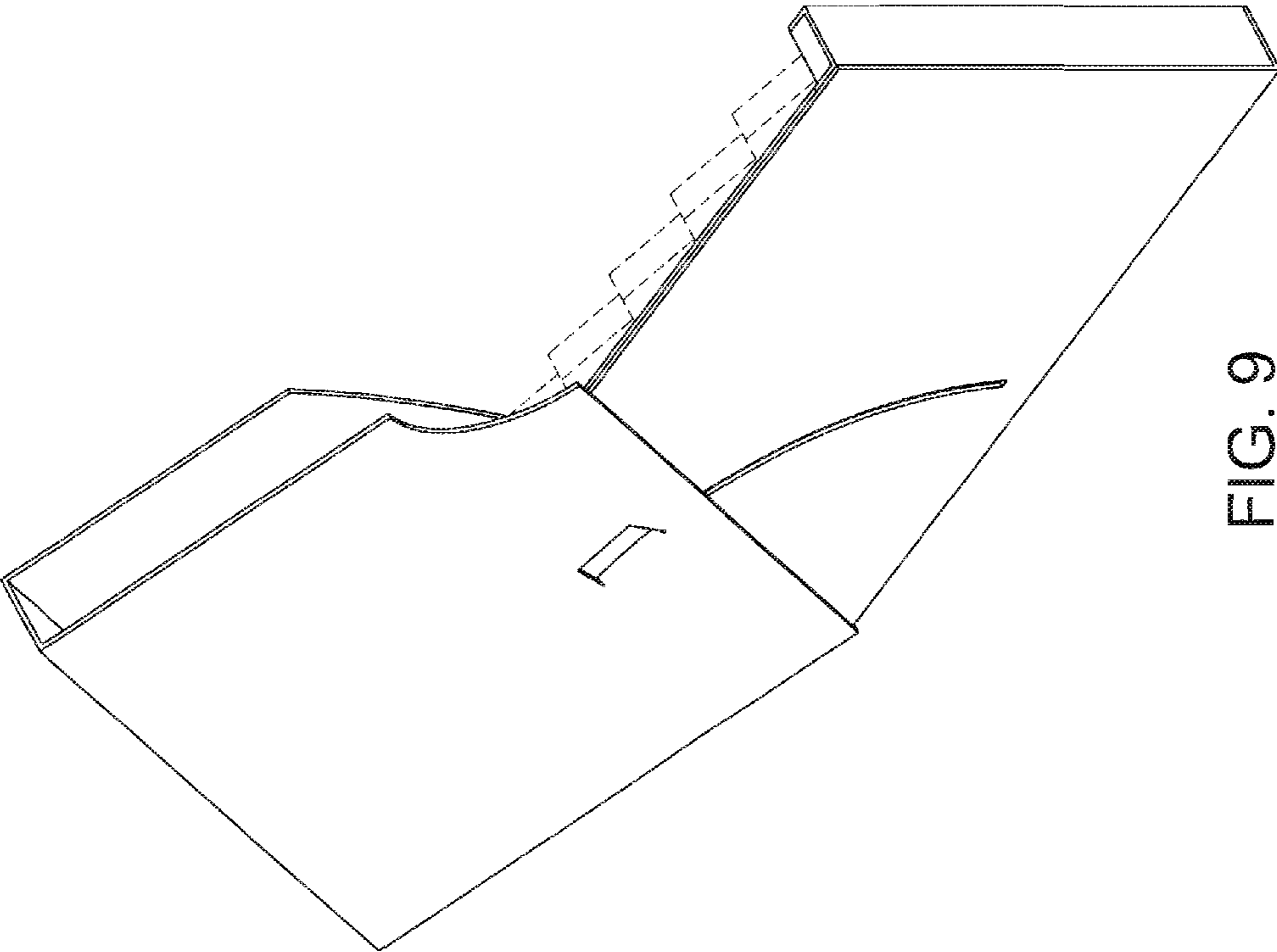


FIG. 9

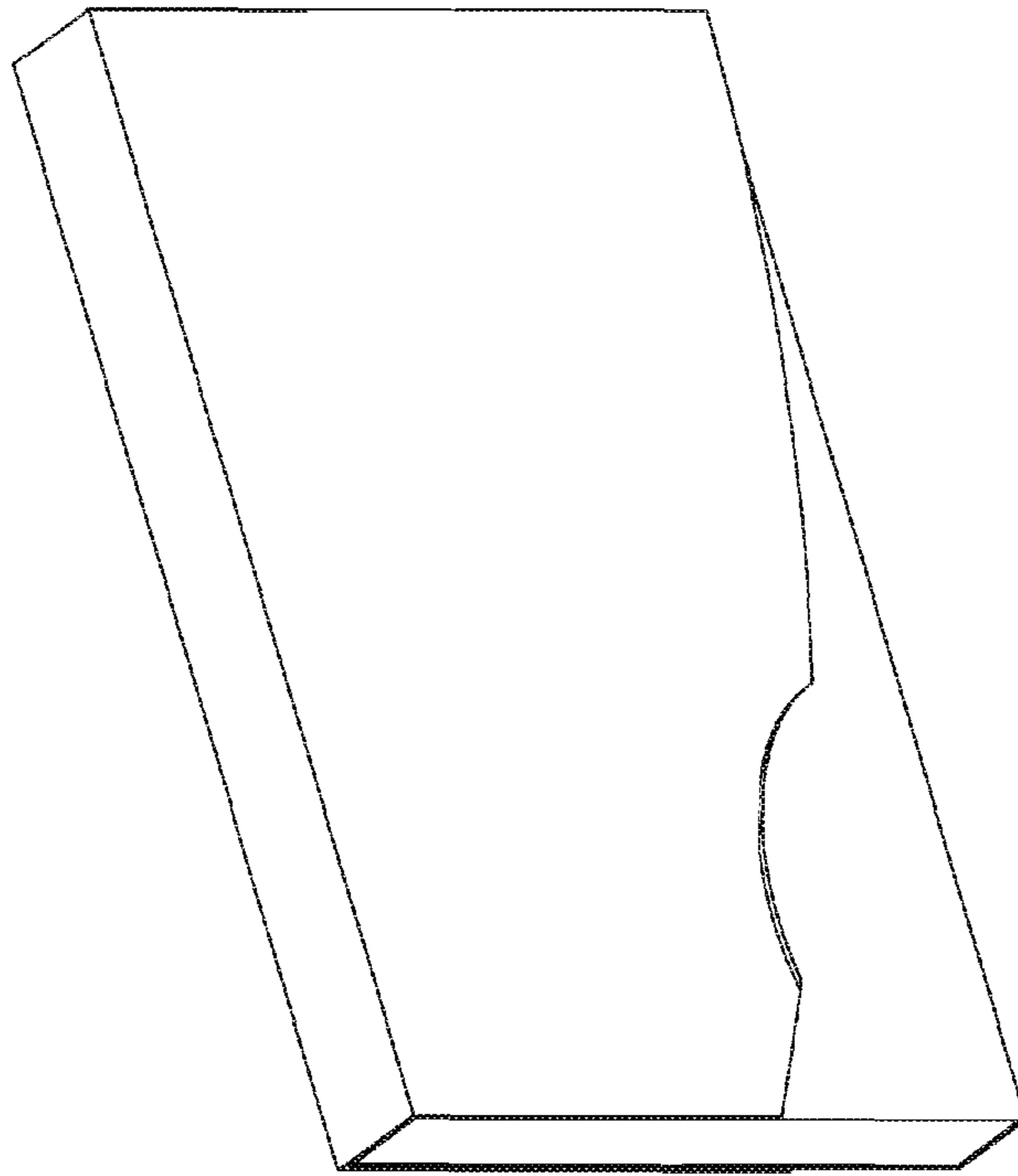


FIG. 10

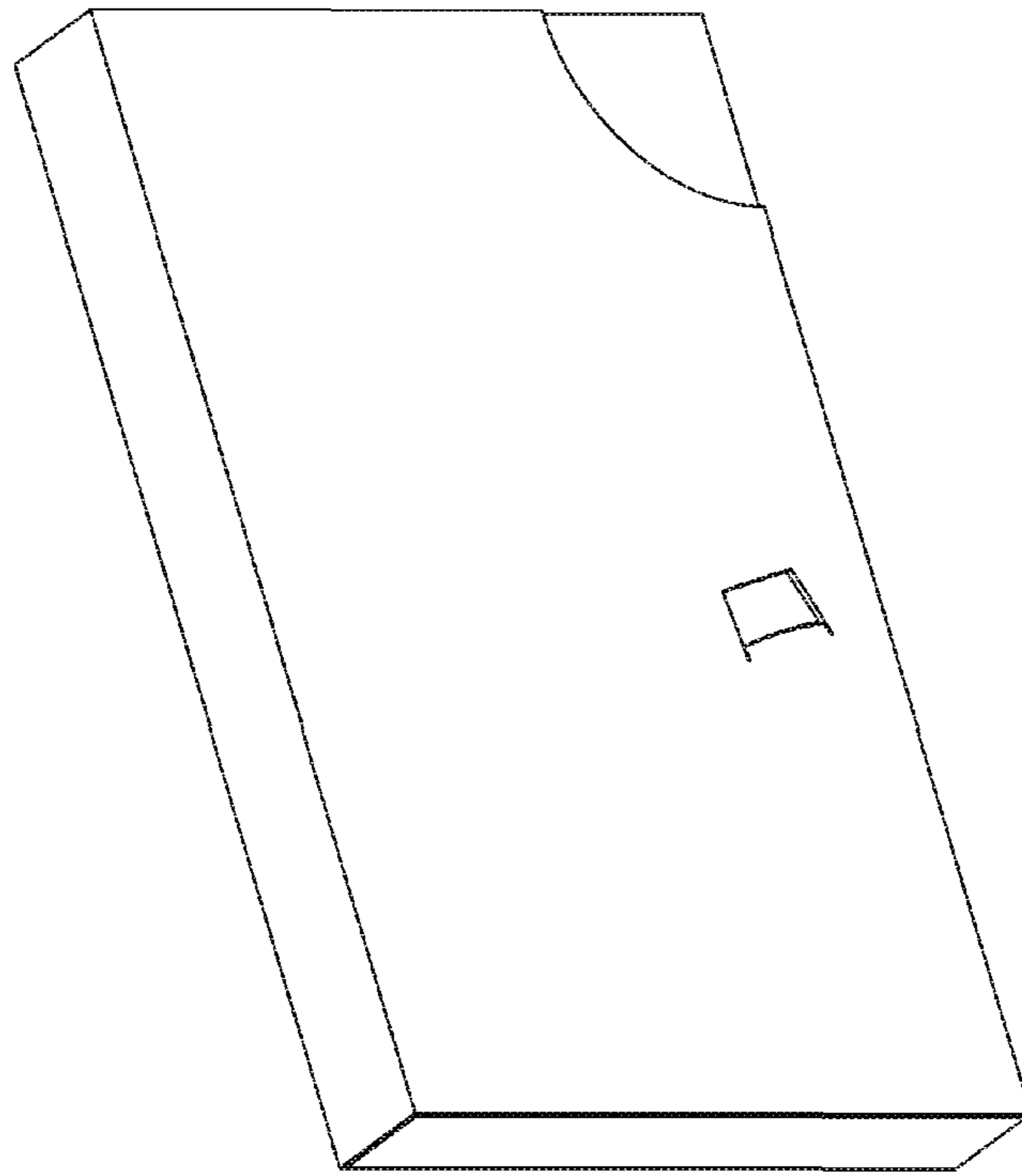


FIG. 11